



US00D653250S

(12) **United States Design Patent**
Gehrke

(10) **Patent No.:** **US D653,250 S**
(45) **Date of Patent:** **** *Jan. 31, 2012**

(54) **AUDIO AMPLIFIER FACEPLATE**

(76) Inventor: **Robert Gehrke, Zossen (DE)**

(*) Notice: This patent is subject to a terminal disclaimer.

(**) Term: **14 Years**

(21) Appl. No.: **29/382,983**

(22) Filed: **Jan. 10, 2011**

(51) **LOC (9) Cl.** **14-01**

(52) **U.S. Cl.** **D14/257**

(58) **Field of Classification Search** D13/107,
D13/108, 149, 164, 177, 182, 184; D14/496,
D14/188, 198, 433-435, 435.1, 136, 480.1-480.7,
D14/356, 257-258; 710/300, 301; 439/131,
439/135-147

See application file for complete search history.

(56) **References Cited**

U.S. PATENT DOCUMENTS

D415,116 S *	10/1999	Creutz et al.	D13/182
D520,502 S *	5/2006	Xu et al.	D14/356
D563,943 S *	3/2008	Watanabe	D14/188
D571,782 S *	6/2008	Moldauer et al.	D14/198
D599,747 S *	9/2009	Vigil	D13/177

OTHER PUBLICATIONS

Picture from Website: <http://www.headphonia.com> dated Jul. 8, 2008.*

4DThinker, FiiO E5 Headphone Amplifier Review, 4th Dimension Thinking Blog posted on Jan. 17, 2009, published online at <http://4dthinker.blogspot.com/2009/01/fio-e5-headphone-amplifier-review.html>.

Pending U.S. Appl. No. 29/358,798, filed Mar. 31, 2010, of the same applicant.

Pending U.S. Appl. No. 29/362,282, filed May 21, 2010, of the same applicant.

Pending U.S. Appl. No. 29/381,676, filed Dec. 22, 2010, of the same applicant.

* cited by examiner

Primary Examiner — Nanda Bondade

(74) *Attorney, Agent, or Firm* — Smartpat PLC; Axel Nix

(57) **CLAIM**

I claim the ornamental design for an audio amplifier faceplate, as shown and described.

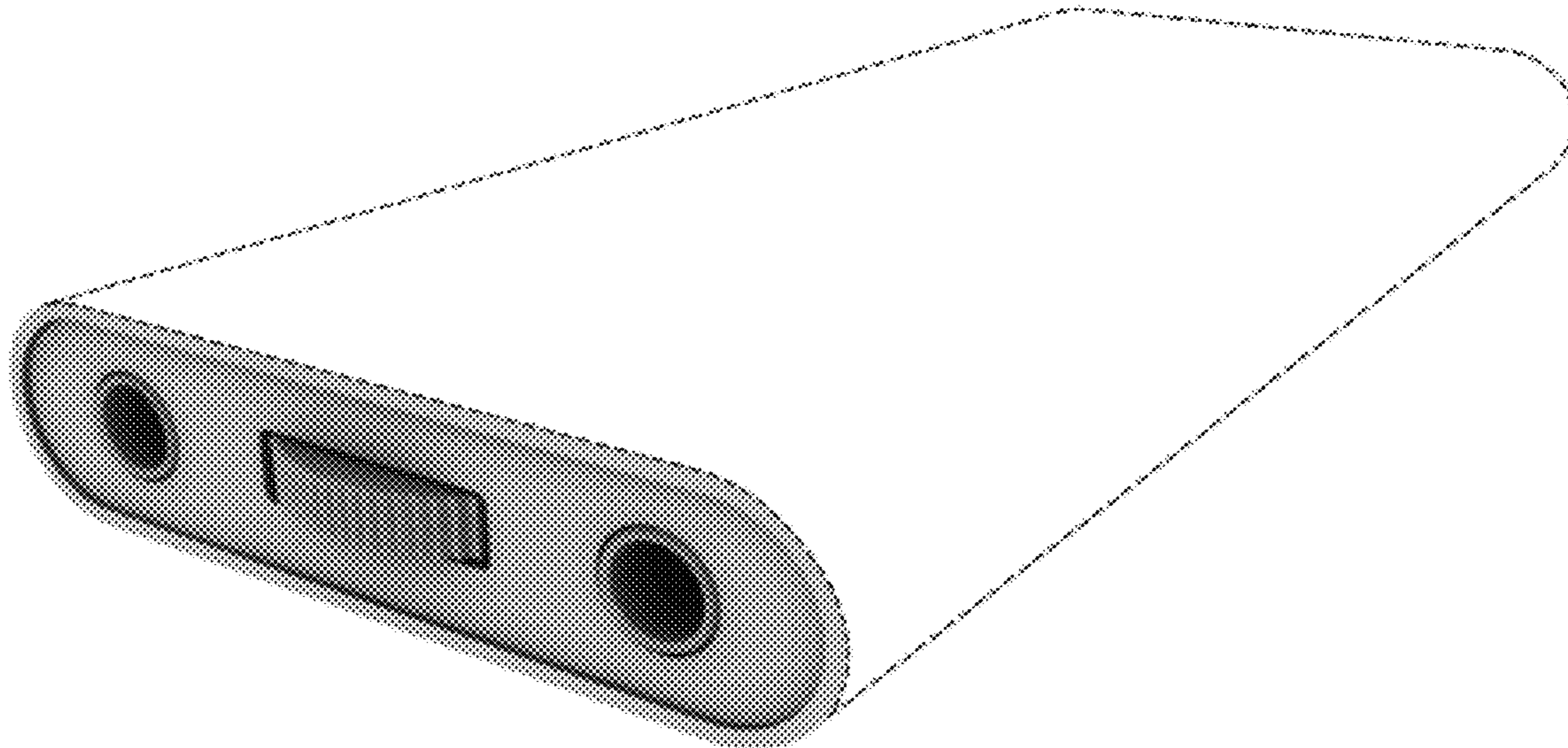
DESCRIPTION

FIG. 1 is a perspective view of an audio amplifier faceplate showing my new design; and,

FIG. 2 is a front view thereof.

The broken line showing of a housing is included for the purpose of illustrating environment and forms no part of the claimed design.

1 Claim, 1 Drawing Sheet



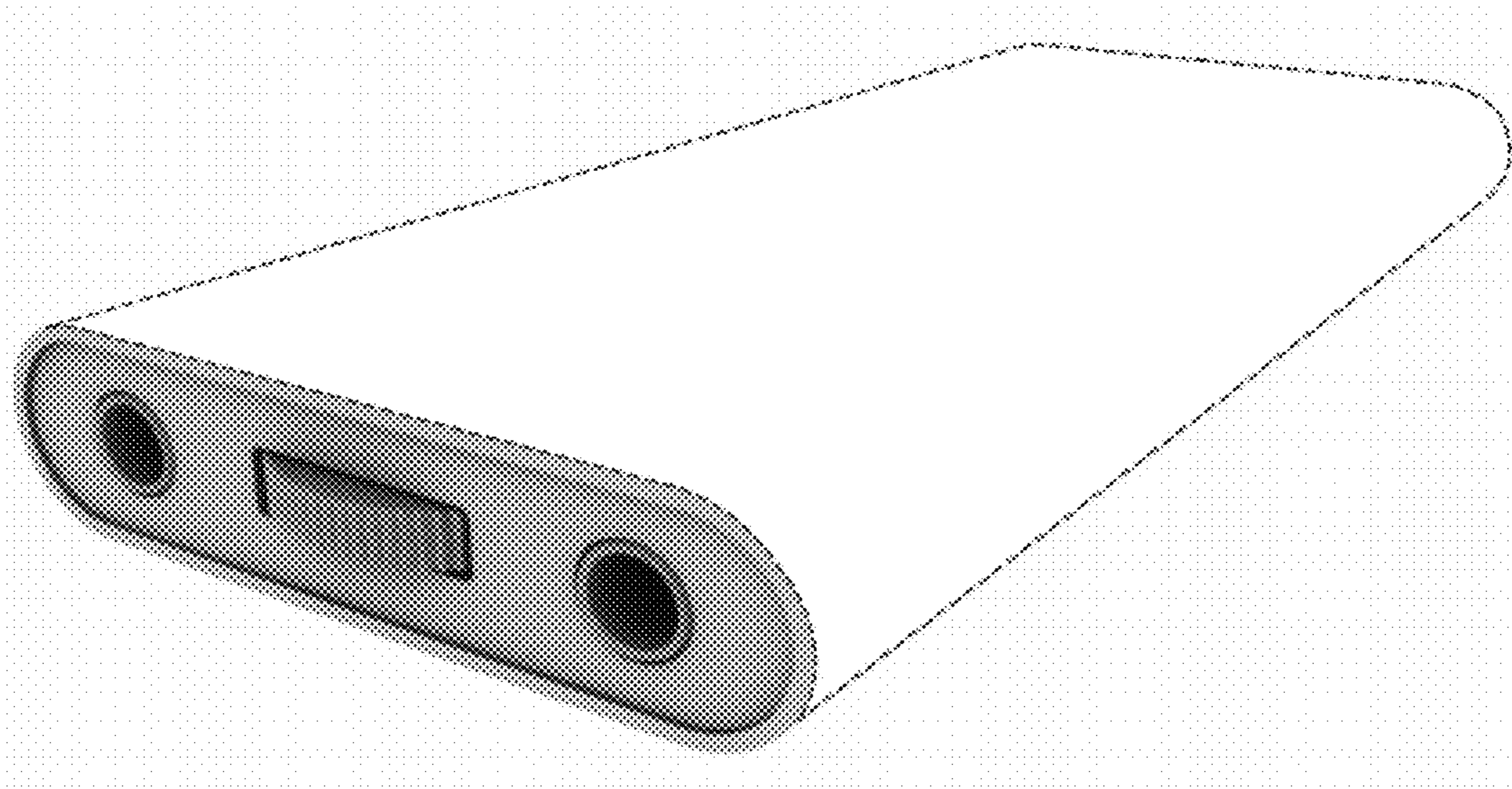


FIG. 1

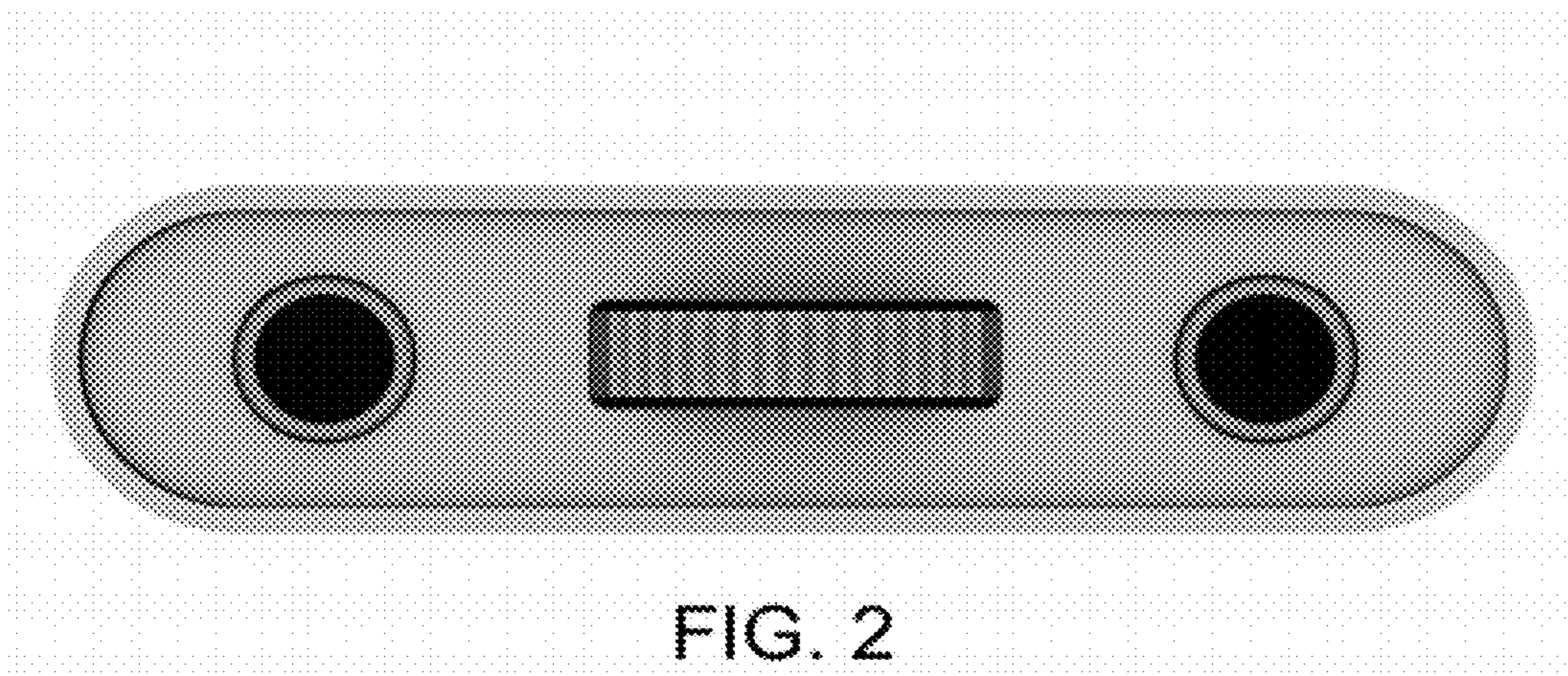


FIG. 2