



US00D653246S

(12) **United States Design Patent**  
**Salazar et al.**

(10) **Patent No.:** **US D653,246 S**  
(45) **Date of Patent:** **\*\* Jan. 31, 2012**

(54) **HANDSET FRONT COVER**

(75) Inventors: **Eduardo Salazar**, Reseda, CA (US);  
**Frank Nuovo**, Los Angeles, CA (US)

(73) Assignee: **Nokia Corporation**, Espoo (FI)

(\*\*) Term: **14 Years**

(21) Appl. No.: **29/396,291**

(22) Filed: **Jun. 28, 2011**

(51) **LOC (9) Cl.** ..... **14-03**

(52) **U.S. Cl.** ..... **D14/248**

(58) **Field of Classification Search** ..... D14/247-248,  
D14/138 R, 138 AD, 138 AC, 138 C, 138 G,  
D14/191, 203.1-203.8, 496, 144, 244, 432,  
D14/439, 455, 456, 138 AA, 138 AB, 137,  
D14/147, 218, 341-347; D10/65, 78, 104;  
D13/168; D18/7; 455/566, 575.1, 575.3;  
345/169

See application file for complete search history.

(56) **References Cited**

**U.S. PATENT DOCUMENTS**

- D465,483 S \* 11/2002 Nuovo ..... D14/248
- D499,709 S \* 12/2004 Nuovo et al. .... D14/138 AA
- D503,170 S \* 3/2005 Leviel et al. .... D14/341
- D511,773 S \* 11/2005 Horiki et al. .... D14/346
- D512,393 S \* 12/2005 Lee et al. .... D14/138 AD
- D517,057 S \* 3/2006 Nuovo et al. .... D14/248
- D521,485 S \* 5/2006 Tyneski et al. .... D14/138 AA
- D526,298 S \* 8/2006 Kota et al. .... D14/138 AD
- D527,717 S \* 9/2006 Kim ..... D14/138 AD
- D546,798 S \* 7/2007 Kim et al. .... D14/138 G
- D548,712 S \* 8/2007 Kim et al. .... D14/138 AD
- D554,097 S \* 10/2007 Lee ..... D14/138 AD
- D560,193 S \* 1/2008 Sung et al. .... D14/138 AD
- 7,330,743 B2 \* 2/2008 Hutchison et al. .... 455/575.8
- D574,818 S \* 8/2008 Nuovo ..... D14/248
- D585,411 S 1/2009 Eaton
- D597,537 S 8/2009 Eaton
- D602,456 S \* 10/2009 Aithal et al. .... D14/138 AA
- D605,618 S \* 12/2009 Nuovo et al. .... D14/138 AA
- D606,038 S 12/2009 Aarras
- D608,319 S \* 1/2010 Nuovo ..... D14/138 AA
- D616,856 S \* 6/2010 Song et al. .... D14/138 AD

- D617,755 S 6/2010 Leinvuo
- D618,655 S 6/2010 Sandberg
- D620,467 S 7/2010 Aarras
- D625,700 S 10/2010 Sandberg et al.
- D629,377 S 12/2010 Ivaskevicius
- D629,784 S 12/2010 Forsyth
- D633,888 S 3/2011 Eguchi
- D634,290 S 3/2011 Landwehr
- D634,294 S 3/2011 Dhondt
- D634,312 S \* 3/2011 Dry et al. .... D14/248
- D635,954 S 4/2011 Aarras
- D635,967 S 4/2011 Montin et al.
- D636,364 S 4/2011 Sandberg

(Continued)

**OTHER PUBLICATIONS**

Gigabyte g-Smart, announced 2005, [online], [retrieved on Feb. 20, 2007]. Retrieved from Internet ,<URL: <http://www.gsmarena.com>>.\*

(Continued)

*Primary Examiner* — Bridget L Eland

(74) *Attorney, Agent, or Firm* — Banner & Witcoff, Ltd.

(57) **CLAIM**

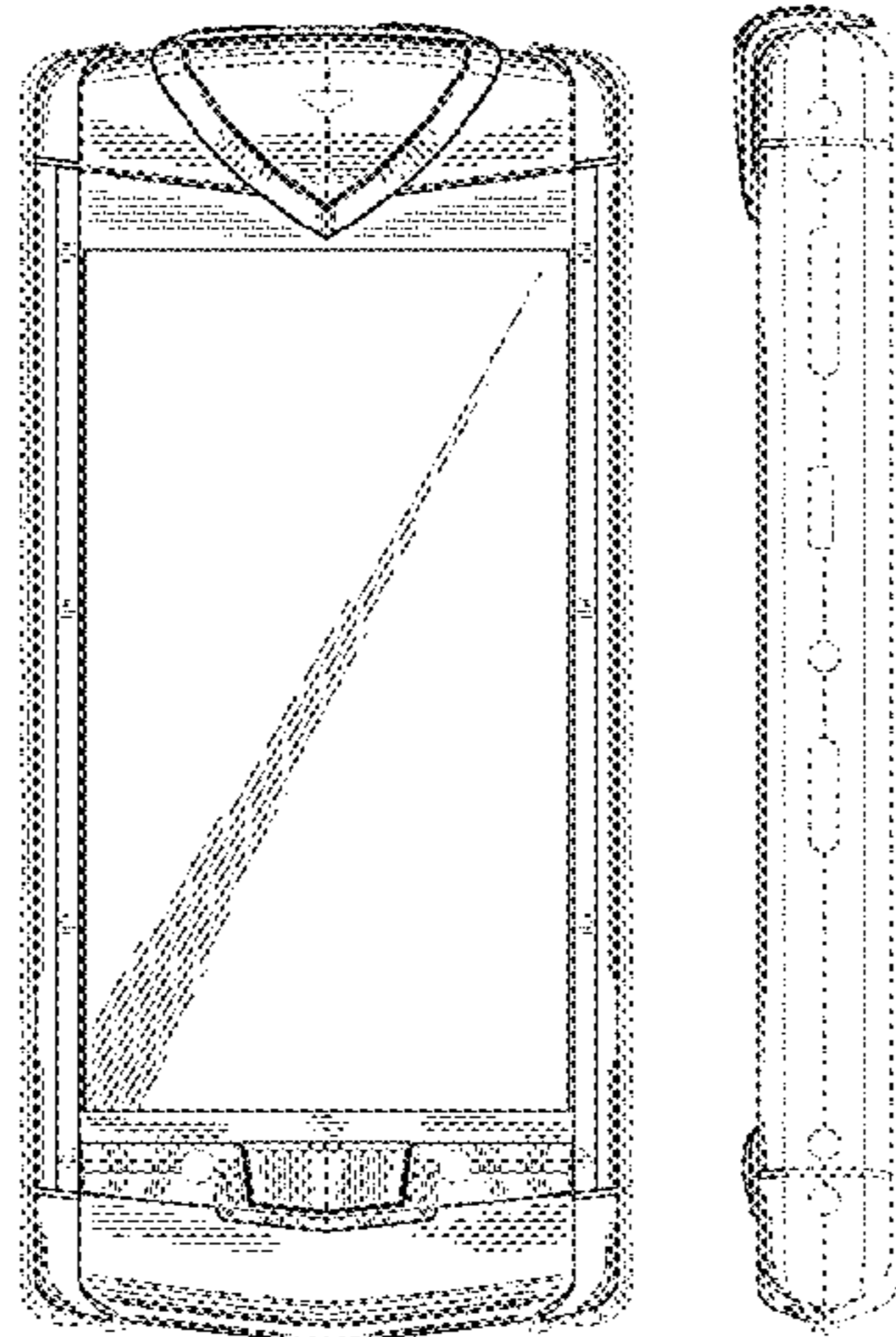
The ornamental design for a handset front cover, as shown and described.

**DESCRIPTION**

FIG. 1 is a perspective view of a handset front cover showing our new design;  
FIG. 2 is a front view thereof;  
FIG. 3 is a left side view thereof;  
FIG. 4 is a right side view thereof;  
FIG. 5 is a top view thereof;  
FIG. 6 is a bottom view thereof; and,  
FIG. 7 is a rear view thereof.

The broken lines immediately adjacent the shaded areas represent the bounds of the claimed design while all other broken lines are directed to environment and are for illustrative purposes only; the broken lines form no part of the claimed design.

**1 Claim, 5 Drawing Sheets**



# US D653,246 S

Page 2

---

## U.S. PATENT DOCUMENTS

D637,992 S 5/2011 Tom et al.  
D639,770 S 6/2011 Choi  
D640,222 S 6/2011 Dearsley  
D640,225 S 6/2011 Choi  
D645,442 S 9/2011 Landwehr  
D645,460 S 9/2011 Nuovo et al.  
D647,083 S \* 10/2011 Nuovo et al. .... D14/248  
2006/0166713 A1 \* 7/2006 Yeh et al. .... 455/575.1  
2006/0211460 A1 \* 9/2006 Jeong et al. .... 455/575.4

## OTHER PUBLICATIONS

HTC P6500, announced Oct. 2007, [online], [retrieved on Dec. 13, 2007]. Retrieved from Internet ,<URL: <http://www.gsmarena.com>>.\*

\* cited by examiner



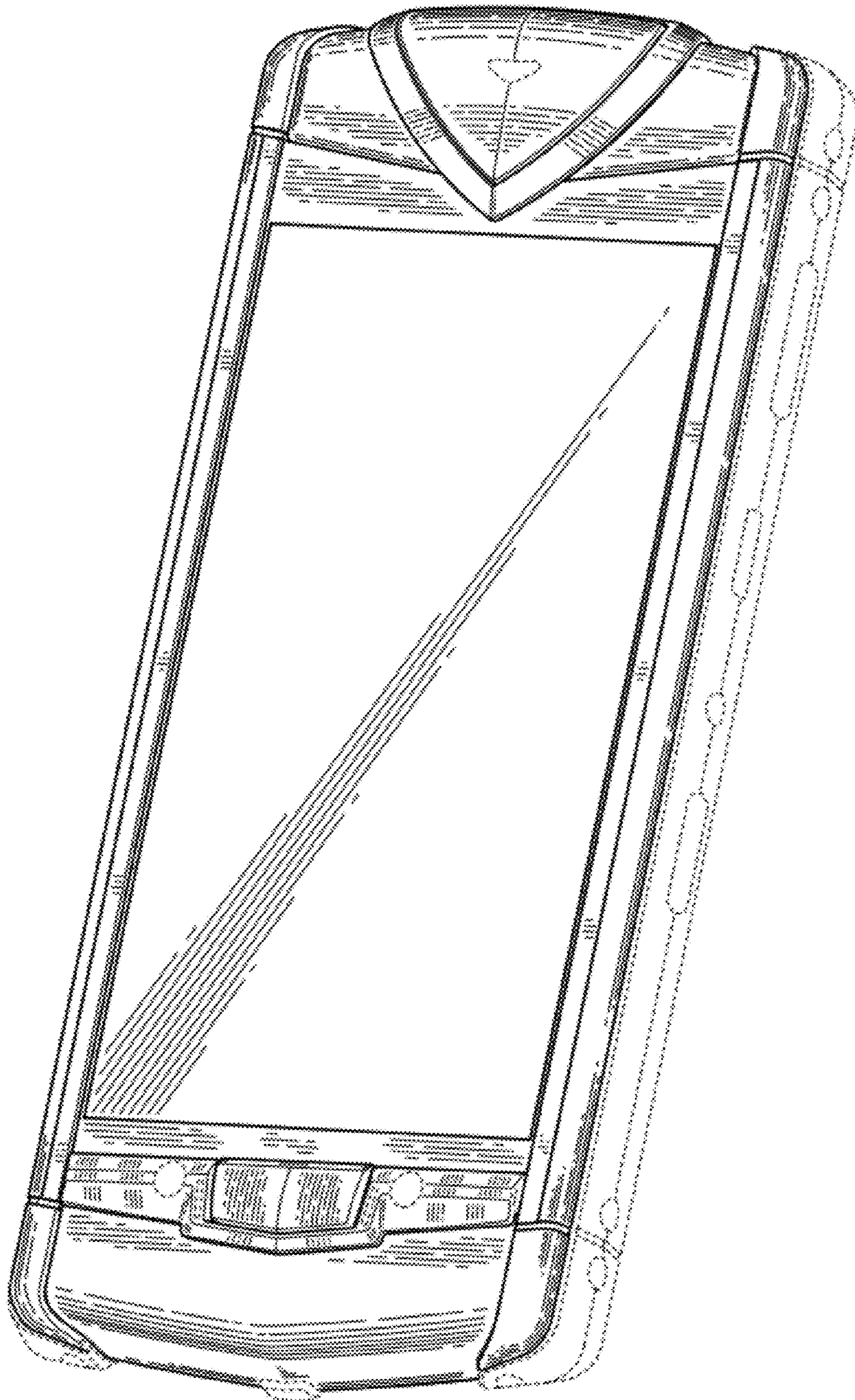


FIG. 1



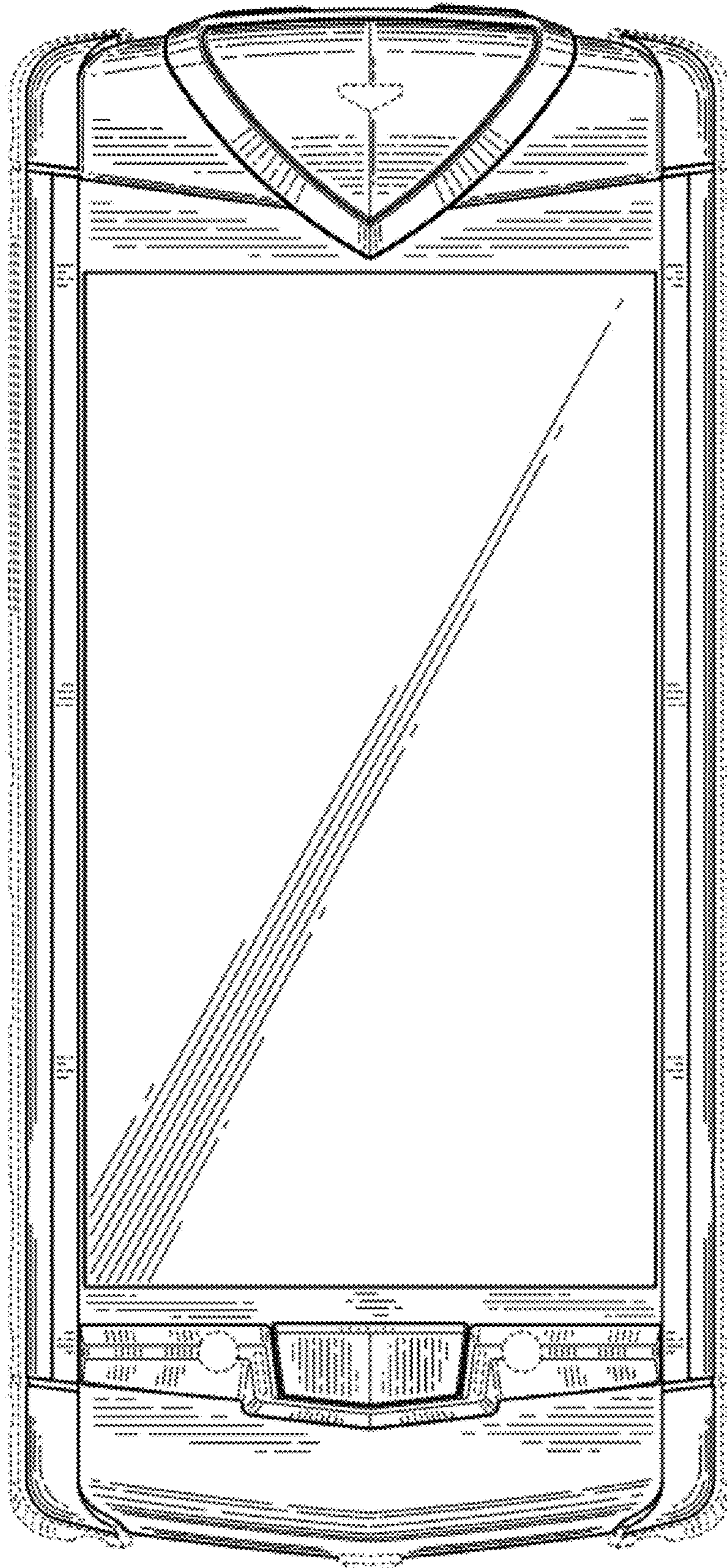


FIG. 2

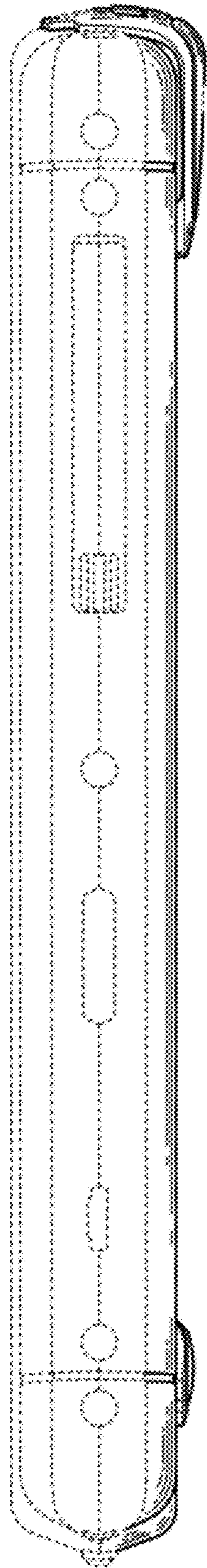


FIG. 3

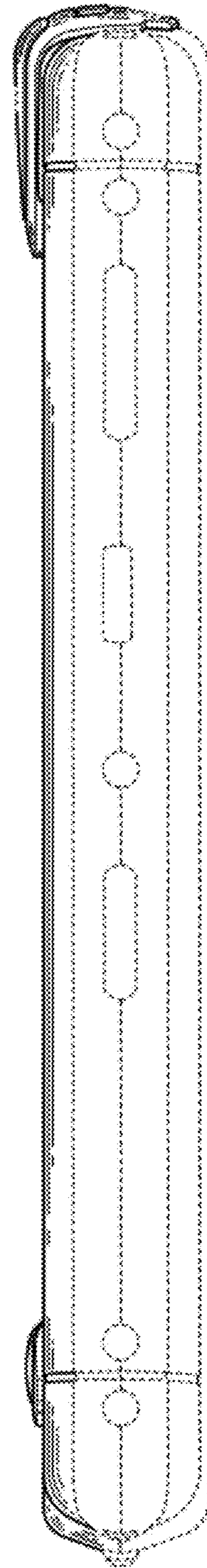


FIG. 4



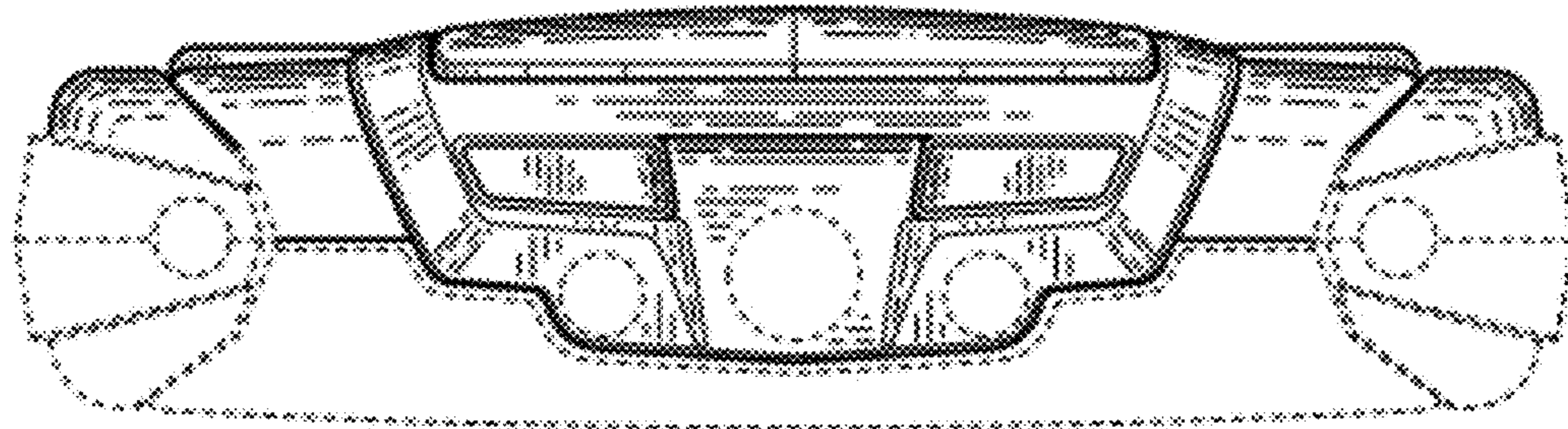


FIG. 5

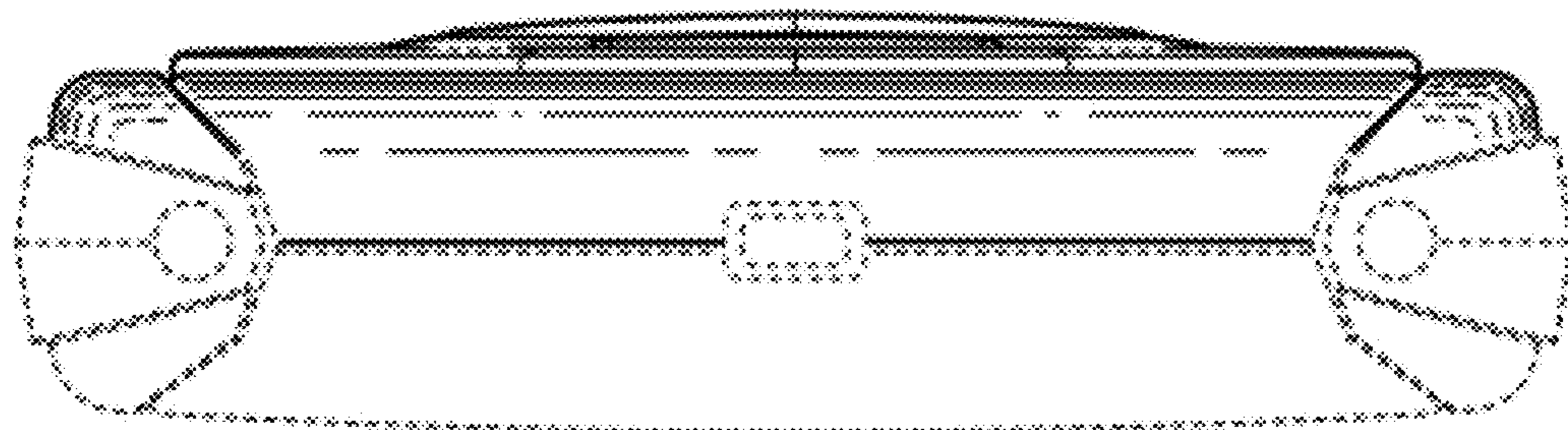


FIG. 6

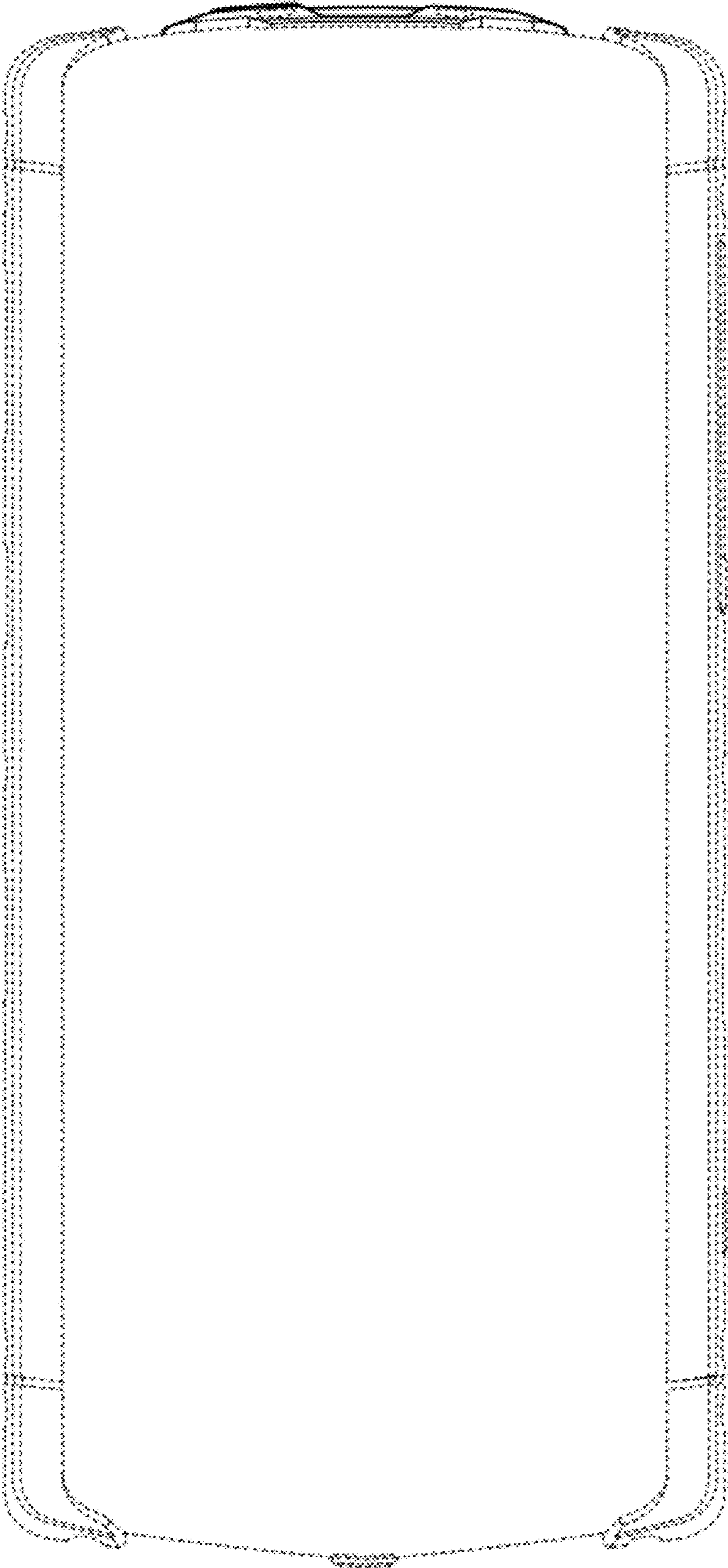


FIG. 7