



US00D653243S

(12) **United States Design Patent**  
**Katsumata et al.**

(10) **Patent No.:** **US D653,243 S**  
(45) **Date of Patent:** **\*\* Jan. 31, 2012**

(54) **EARPHONE**

(75) Inventors: **Jun Katsumata**, Tokyo (JP); **So Morimoto**, Tokyo (JP); **Satoshi Suzuki**, Tokyo (JP)

(73) Assignee: **Sony Corporation**, Tokyo (JP)

(\*\*) Term: **14 Years**

(21) Appl. No.: **29/371,266**

(22) Filed: **Dec. 16, 2010**

(30) **Foreign Application Priority Data**

Jun. 18, 2010 (JP) ..... D2010-015084  
Jun. 18, 2010 (JP) ..... D2010-015088  
Jun. 18, 2010 (JP) ..... D2010-015089

(51) **LOC (9) Cl.** ..... **14-01**

(52) **U.S. Cl.** ..... **D14/223**

(58) **Field of Classification Search** ..... D14/205,  
D14/206, 223; D13/133, 154, 119, 153;  
381/380, 381; 174/135, 653; 439/502, 578  
See application file for complete search history.

(56) **References Cited**

**U.S. PATENT DOCUMENTS**

2,550,358 A \* 4/1951 Le Grand et al. .... 174/77 S  
3,051,774 A \* 8/1962 Schelke ..... 174/135  
3,141,251 A \* 7/1964 Olson et al. .... 38/90  
3,953,097 A \* 4/1976 Graham ..... 439/307  
4,026,621 A \* 5/1977 Korba ..... 439/125  
4,652,082 A \* 3/1987 Warner ..... 385/83  
4,730,855 A \* 3/1988 Pelletier ..... 285/179  
4,758,171 A \* 7/1988 Hey ..... 439/181  
D312,813 S \* 12/1990 Takizawa ..... D13/133  
D337,989 S \* 8/1993 Lee ..... D13/133  
5,233,677 A \* 8/1993 Winslow ..... 385/89  
5,273,444 A \* 12/1993 Down et al. .... 439/133  
5,915,995 A \* 6/1999 Meyer et al. .... 439/668  
5,963,690 A \* 10/1999 Cheng ..... 385/76  
D431,553 S \* 10/2000 Suzuki ..... D14/223  
D435,830 S \* 1/2001 Cheng ..... D13/133  
D441,739 S \* 5/2001 Hayes et al. .... D14/223  
D454,115 S \* 3/2002 Zemba ..... D13/147  
D472,890 S \* 4/2003 Suzuki  
D474,171 S \* 5/2003 Suzuki ..... D14/206

D480,050 S \* 9/2003 Darrow et al. .... D13/133  
6,731,772 B1 \* 5/2004 Byun ..... 381/380  
6,768,057 B2 \* 7/2004 Blake ..... 174/653  
D494,956 S \* 8/2004 Sabick et al. .... D14/205

(Continued)

**FOREIGN PATENT DOCUMENTS**

JP D1194402 S 1/2004

(Continued)

*Primary Examiner* — Paula Greene

(74) *Attorney, Agent, or Firm* — Rader, Fishman & Grauer PLLC

(57)

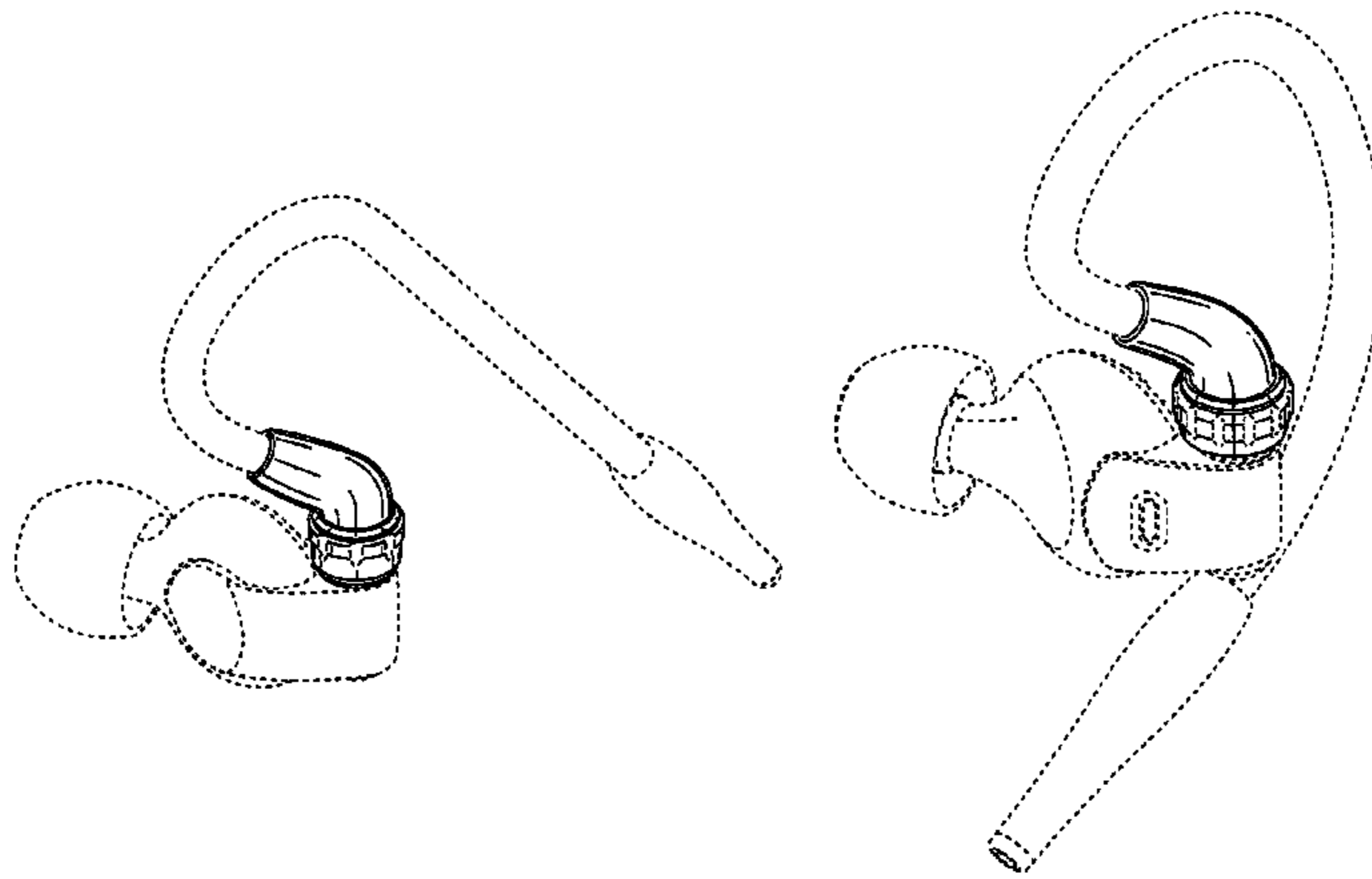
**CLAIM**

The ornamental design for an earphone, as shown and described.

**DESCRIPTION**

FIG. 1 is a front, top, right perspective view of a first embodiment of an earphone showing our new design;  
FIG. 2 is a front, top, left perspective view thereof;  
FIG. 3 is a front elevational view thereof;  
FIG. 4 is a rear elevational view thereof;  
FIG. 5 is a left side elevational view thereof;  
FIG. 6 is a right side elevational view thereof;  
FIG. 7 is a top plan view thereof; and  
FIG. 8 is a bottom plan view thereof.  
FIG. 9 is a front, top, right perspective view of a second embodiment of an earphone showing our new design;  
FIG. 10 is a front, top, left perspective view thereof;  
FIG. 11 is a front elevational view thereof;  
FIG. 12 is a rear elevational view thereof;  
FIG. 13 is a left side elevational view thereof;  
FIG. 14 is a right side elevational view thereof;  
FIG. 15 is a top plan view thereof; and  
FIG. 16 is a bottom plan view thereof.  
FIG. 17 is a front, top, right perspective view of a third embodiment of an earphone showing our new design;  
FIG. 18 is a front, top, left perspective view thereof;  
FIG. 19 is a front elevational view thereof;  
FIG. 20 is a rear elevational view thereof;  
FIG. 21 is a left side elevational view thereof;  
FIG. 22 is a right side elevational view thereof;  
FIG. 23 is a top plan view thereof; and  
FIG. 24 is a bottom plan view thereof.  
The portions indicated in broken lines are for illustrative purposes only and form no part of the claimed design.

**1 Claim, 18 Drawing Sheets**



# US D653,243 S

Page 2

---

## U.S. PATENT DOCUMENTS

D495,684 S 9/2004 Hirano  
D504,672 S 5/2005 Hirano  
D510,085 S 9/2005 Suzuki  
D512,992 S 12/2005 Murakami  
D515,069 S 2/2006 Naito  
D539,268 S \* 3/2007 Suzuki ..... D14/206  
D542,225 S \* 5/2007 Victor ..... D13/154  
7,349,550 B2 \* 3/2008 Oliveira et al. .... 381/380  
D566,104 S 4/2008 Suzuki  
D584,689 S \* 1/2009 Slawson et al. .... D13/133  
D588,582 S 3/2009 Komiyama  
D597,946 S \* 8/2009 Li ..... D13/133

D604,242 S \* 11/2009 Kiely ..... D13/133  
D605,636 S \* 12/2009 Yang ..... D14/223  
D606,048 S \* 12/2009 Soetejo et al. .... D14/223  
D610,129 S 2/2010 Densho et al.  
D624,019 S \* 9/2010 Victor ..... D13/133  
D624,902 S \* 10/2010 Kolton ..... D14/205  
D631,470 S \* 1/2011 Yoneyama et al. .... D14/223

## FOREIGN PATENT DOCUMENTS

JP D1322442 S 2/2008  
JP D1379167 S 2/2010  
JP D1384731 S 4/2010

\* cited by examiner

FIG.1

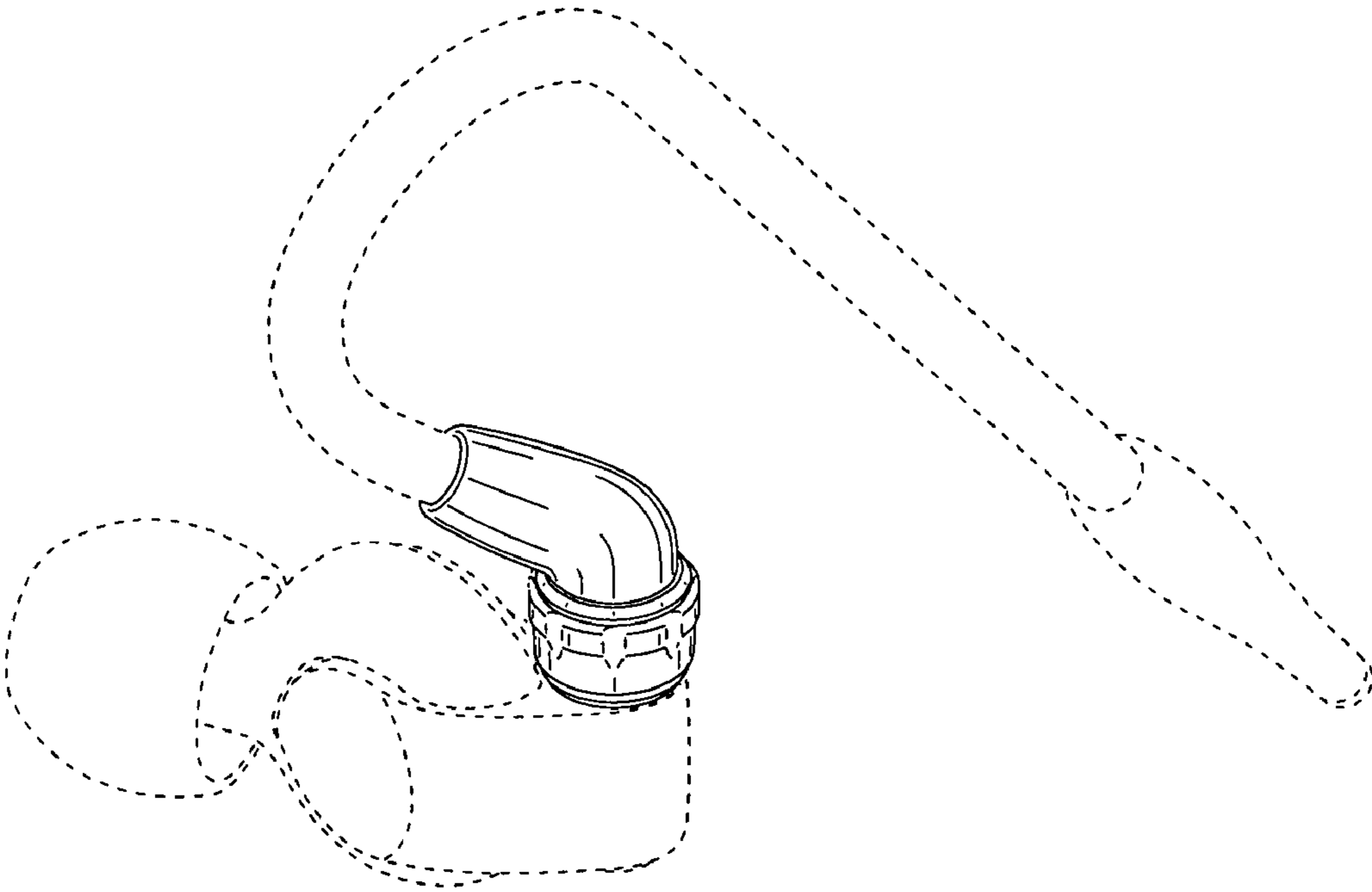


FIG.2

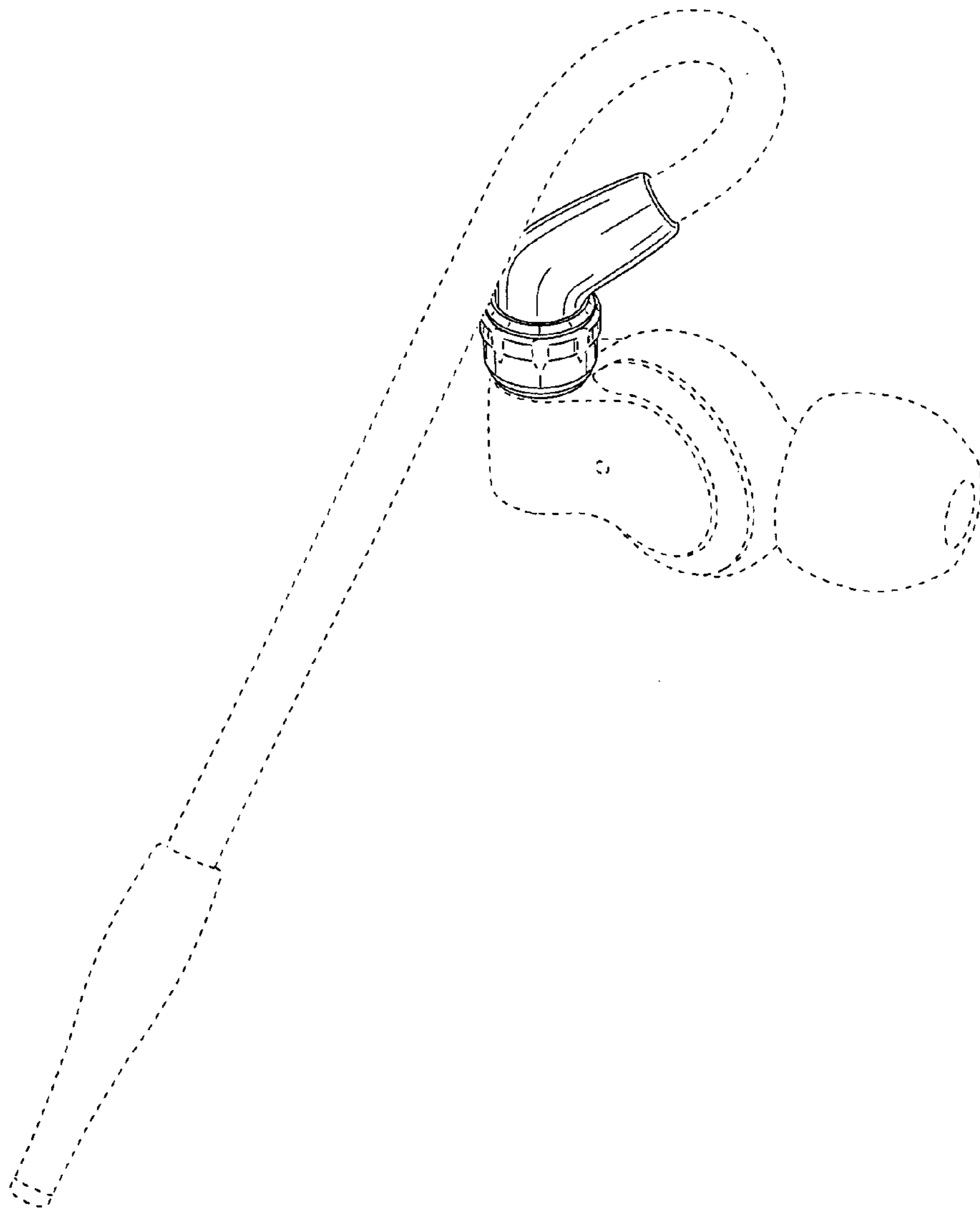


FIG.3

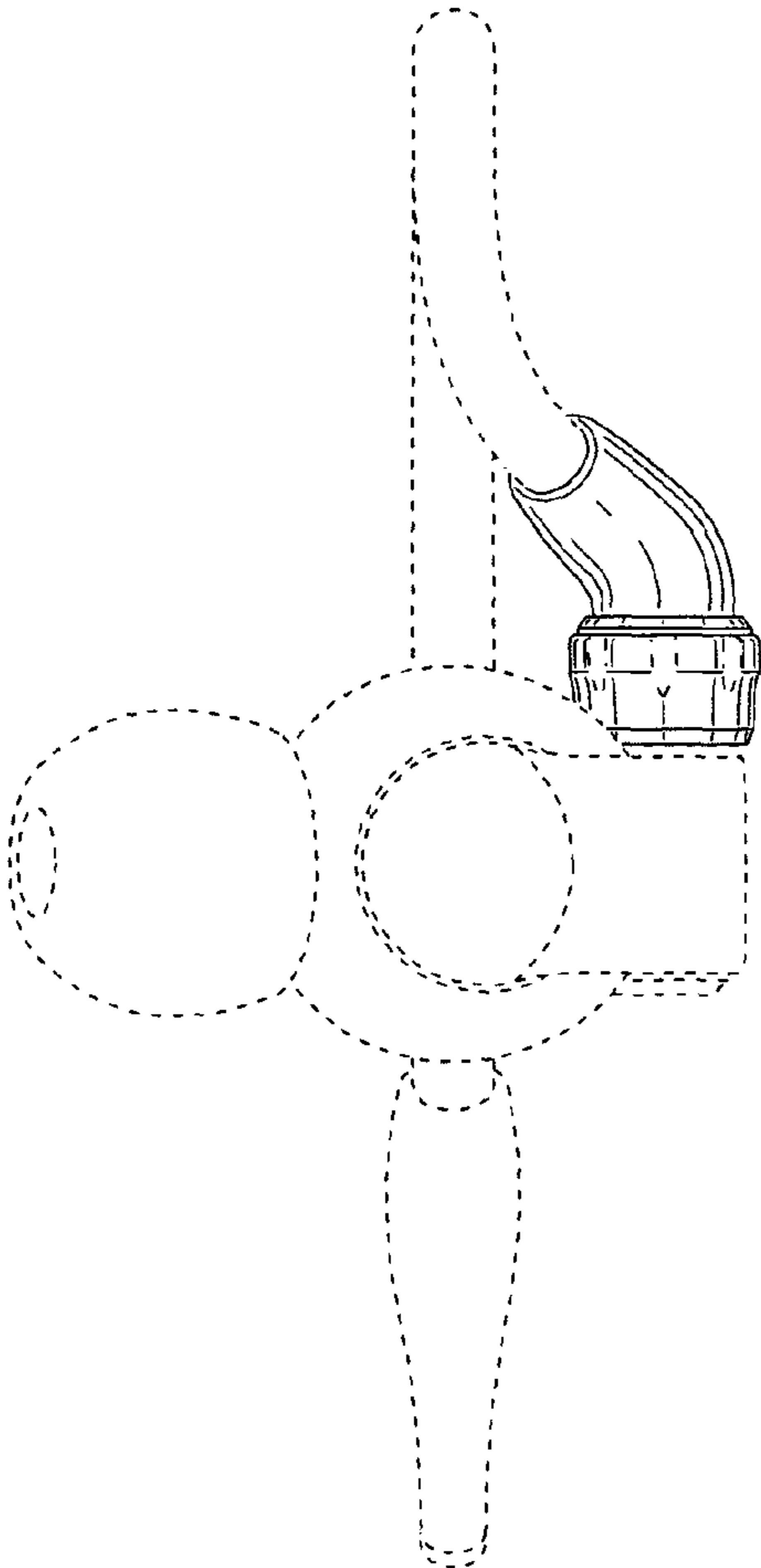


FIG.4

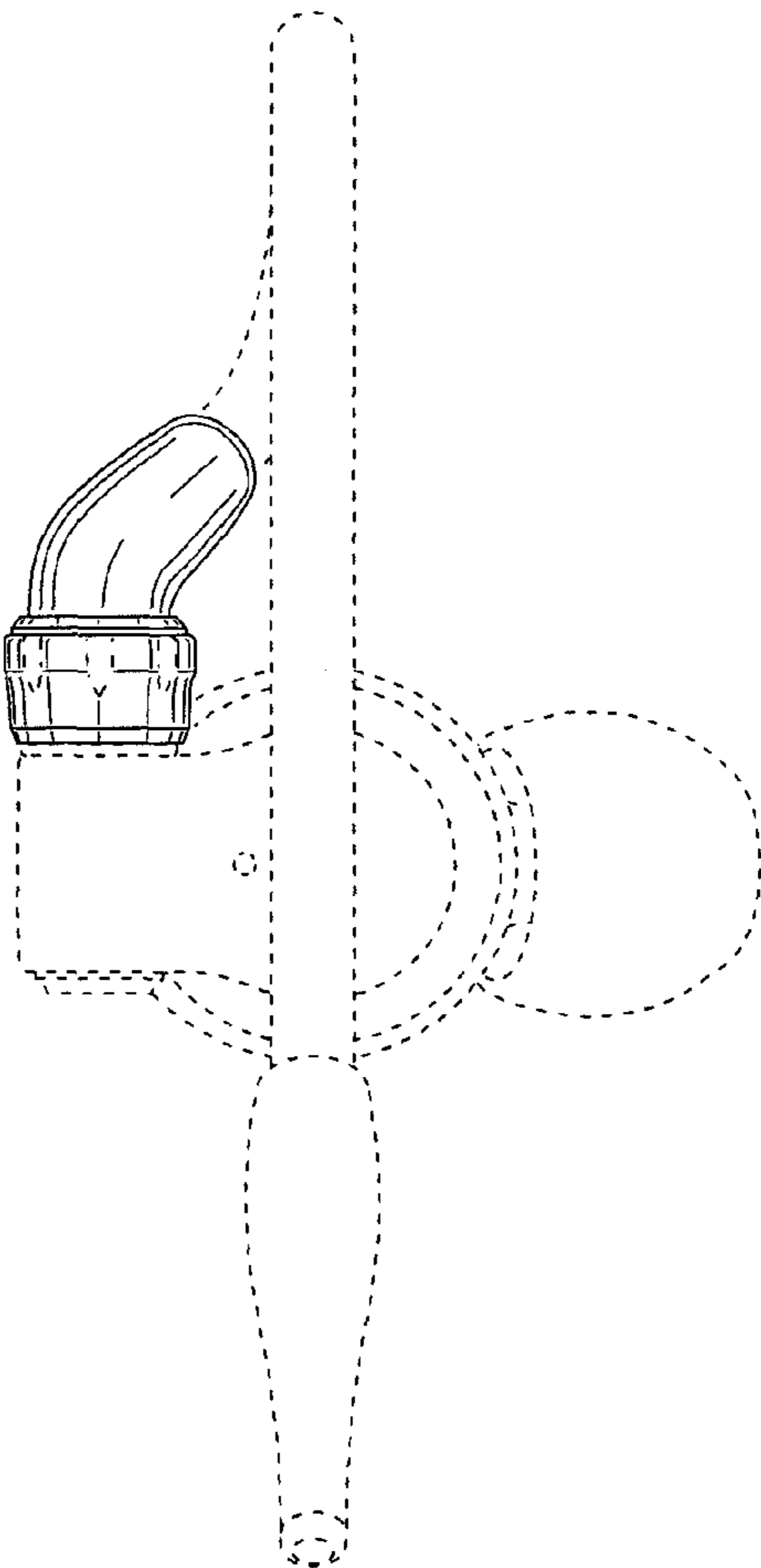


FIG.5

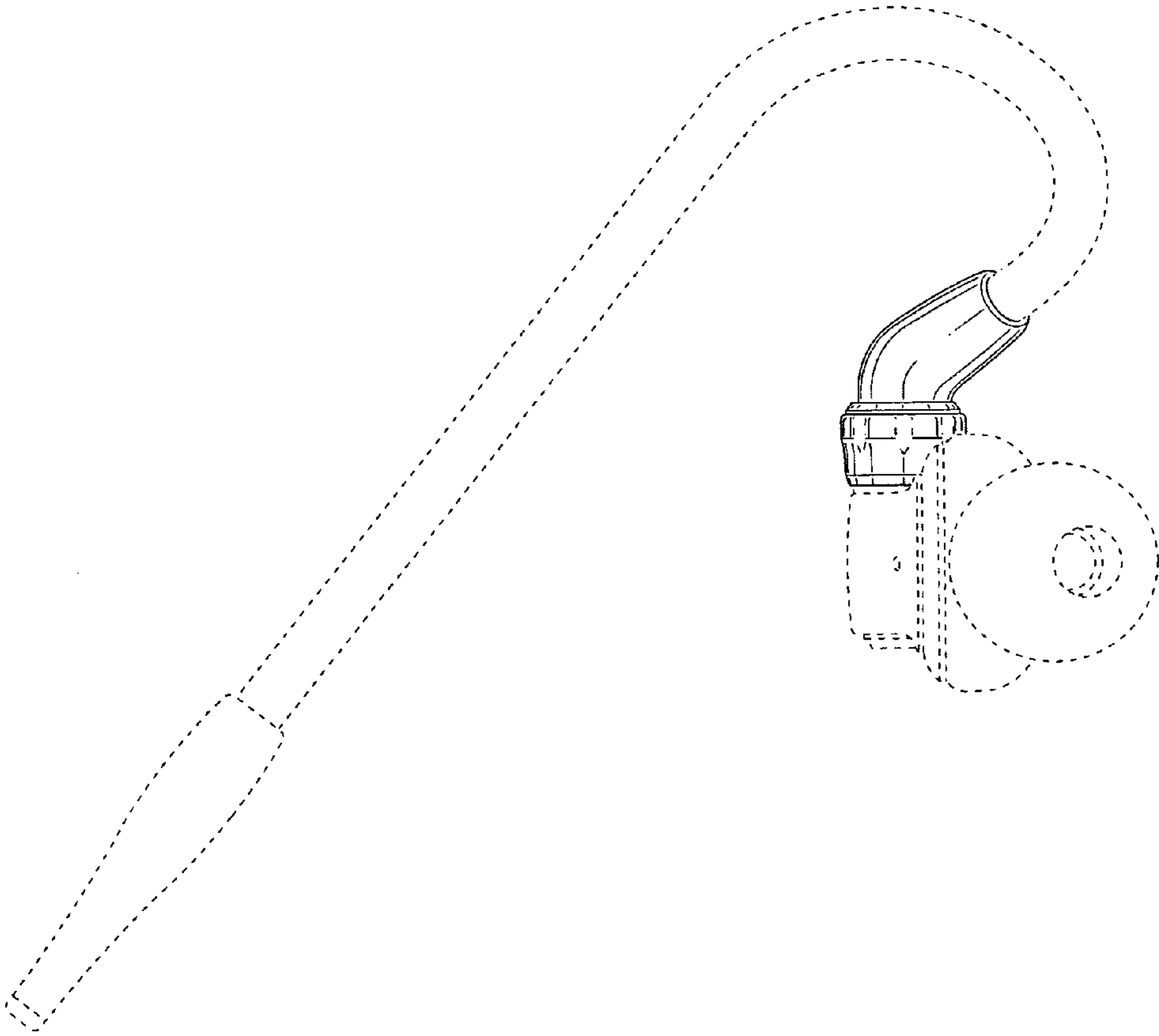


FIG.6

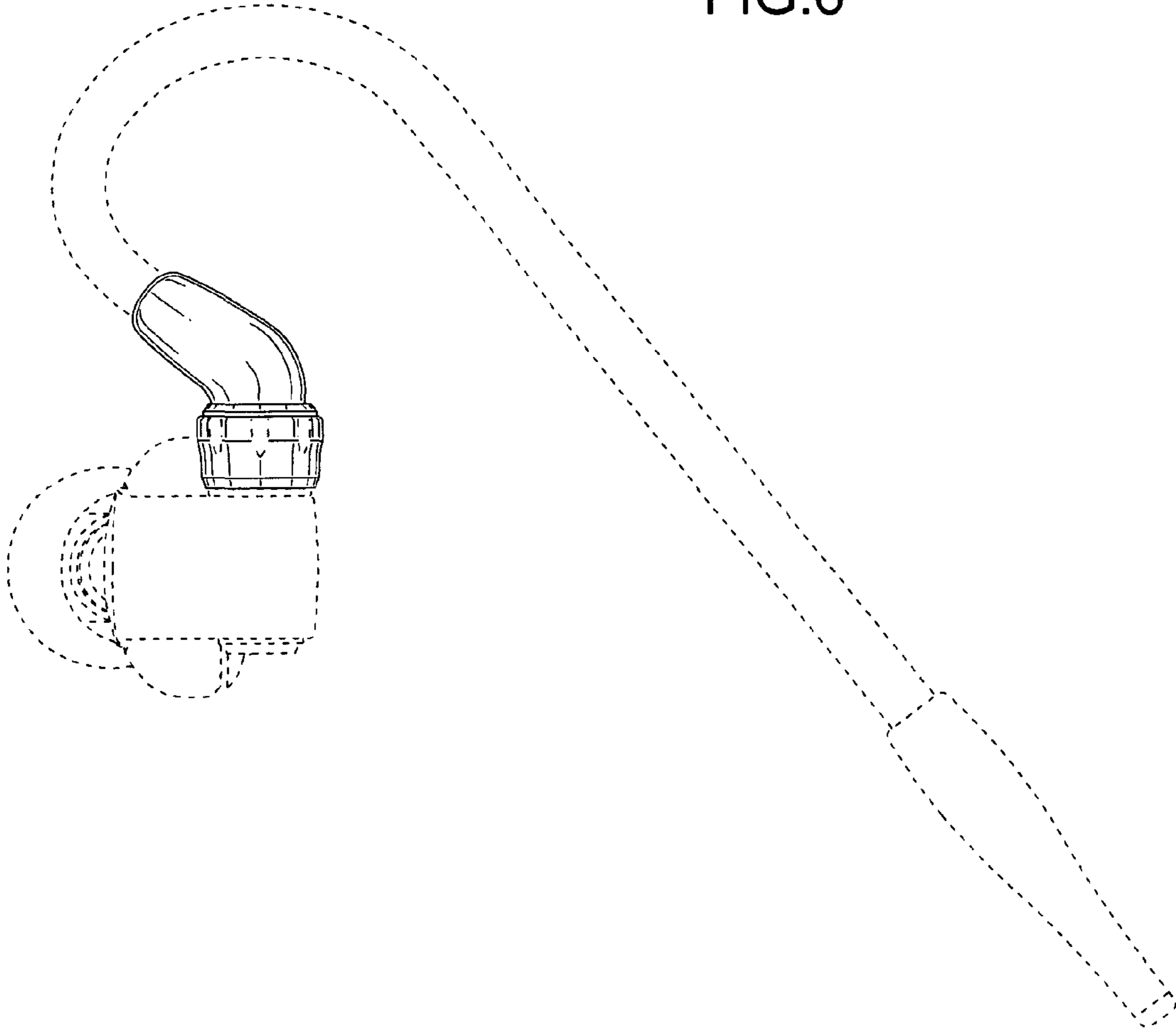


FIG.7

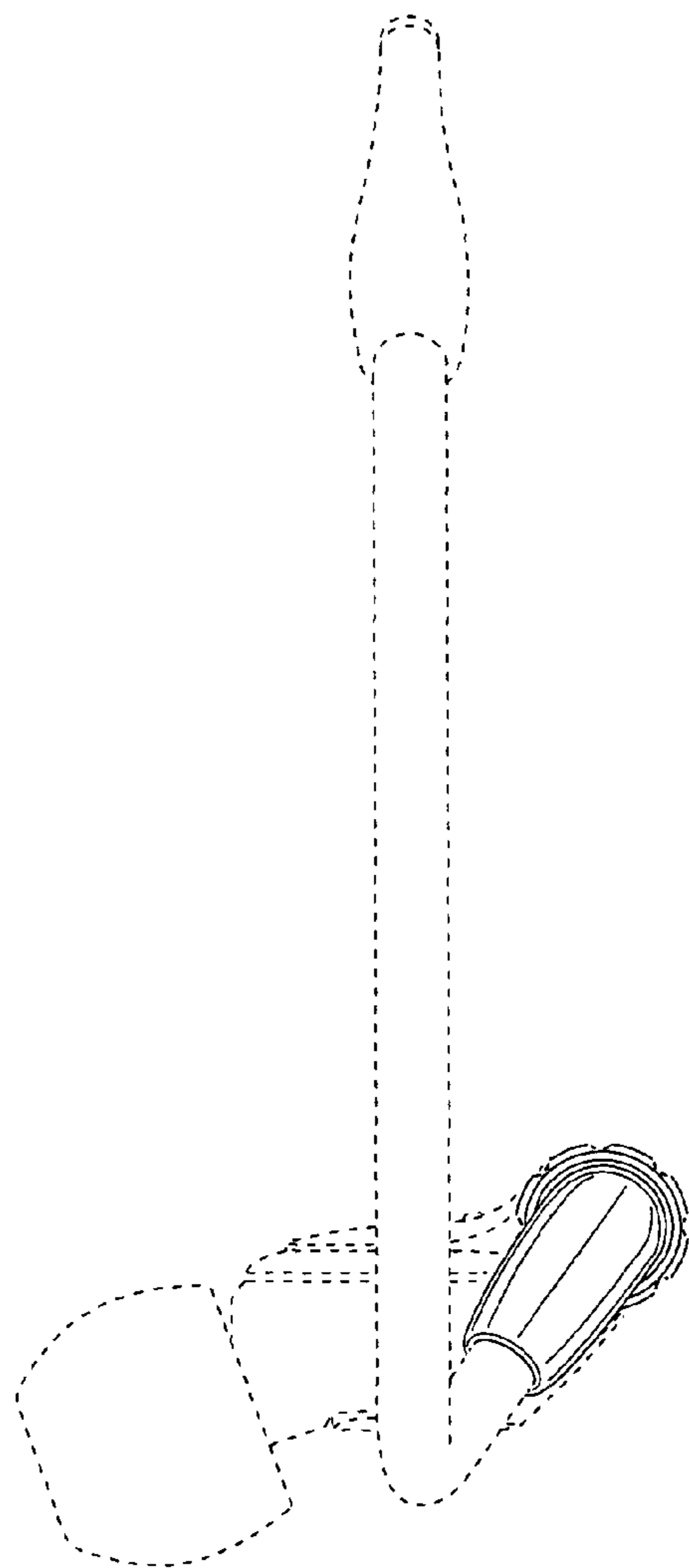


FIG.8

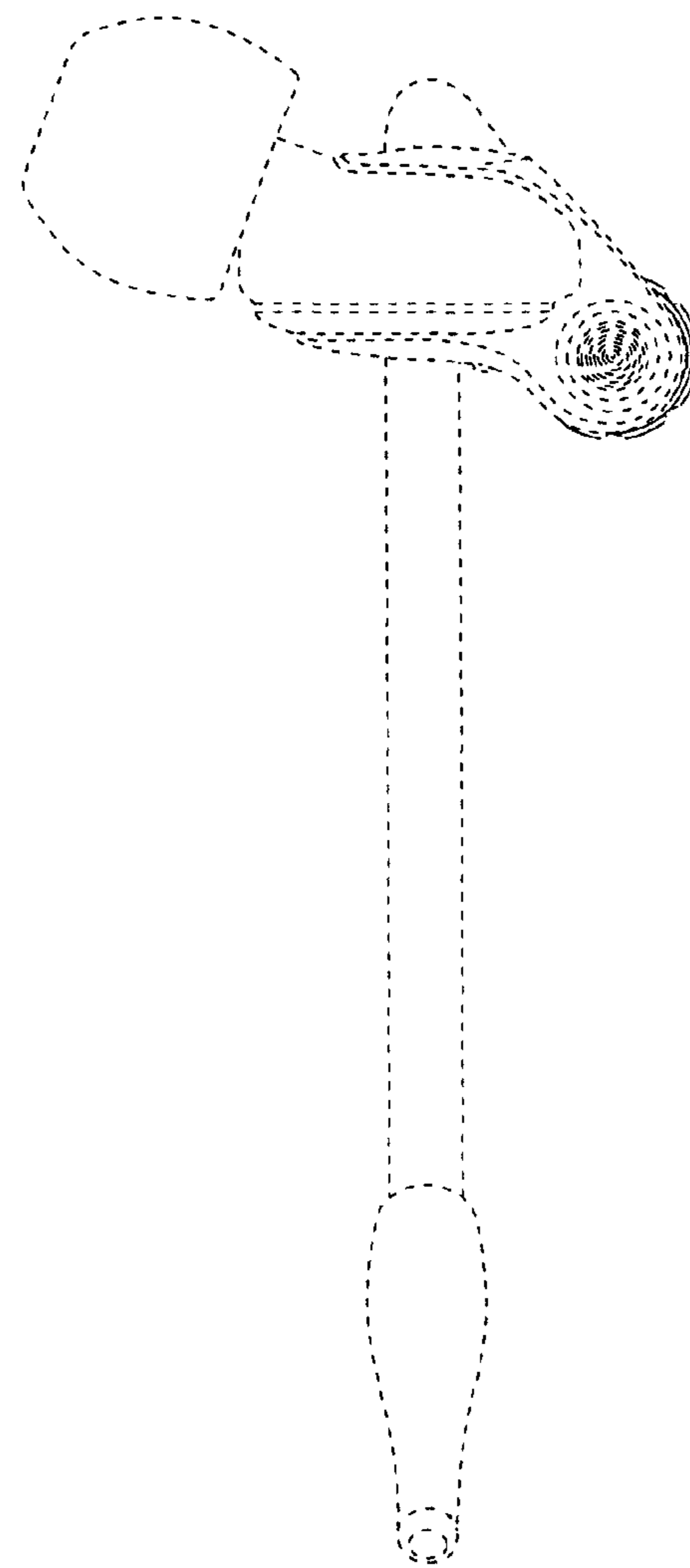




FIG.9

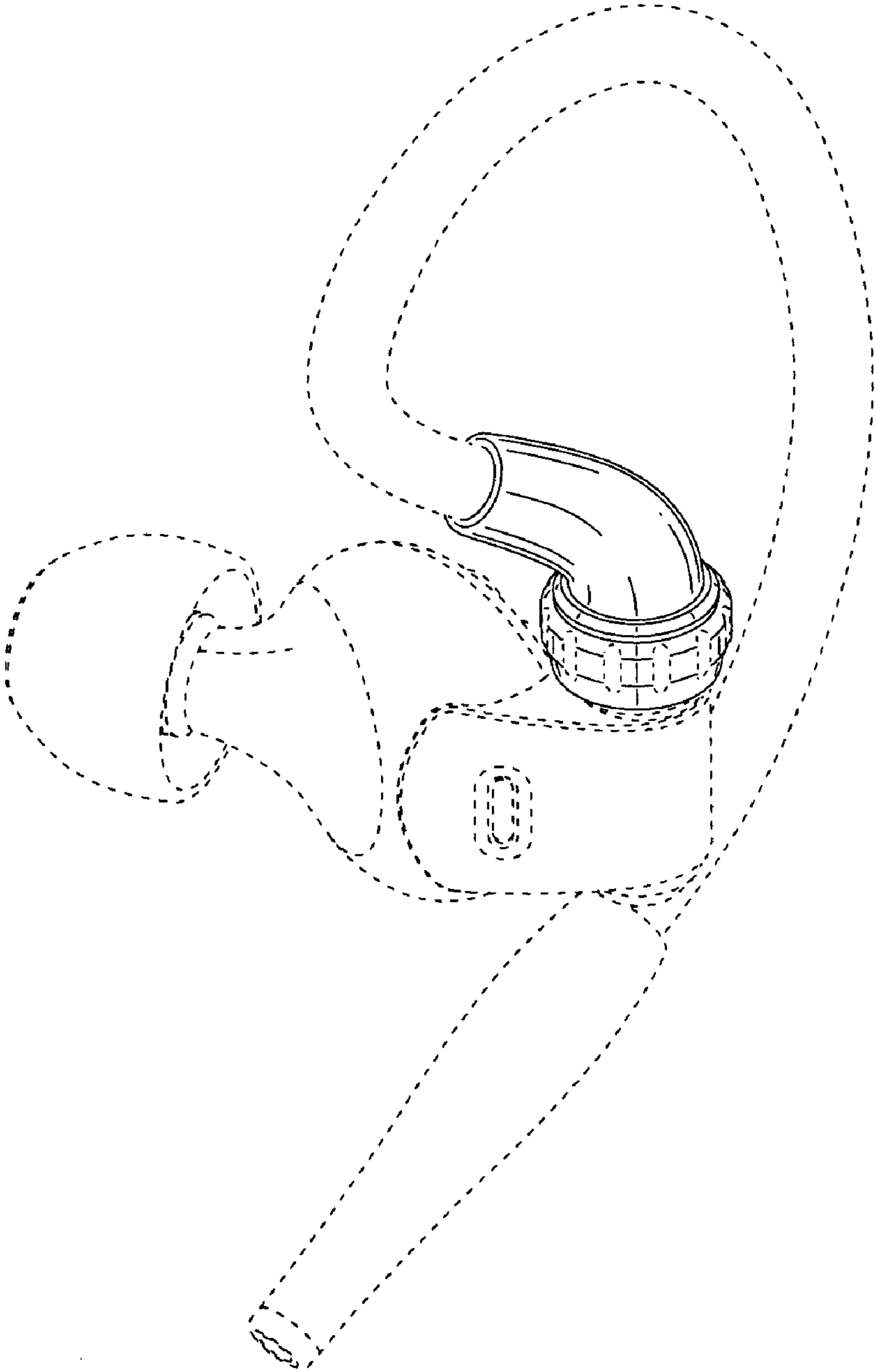


FIG.10

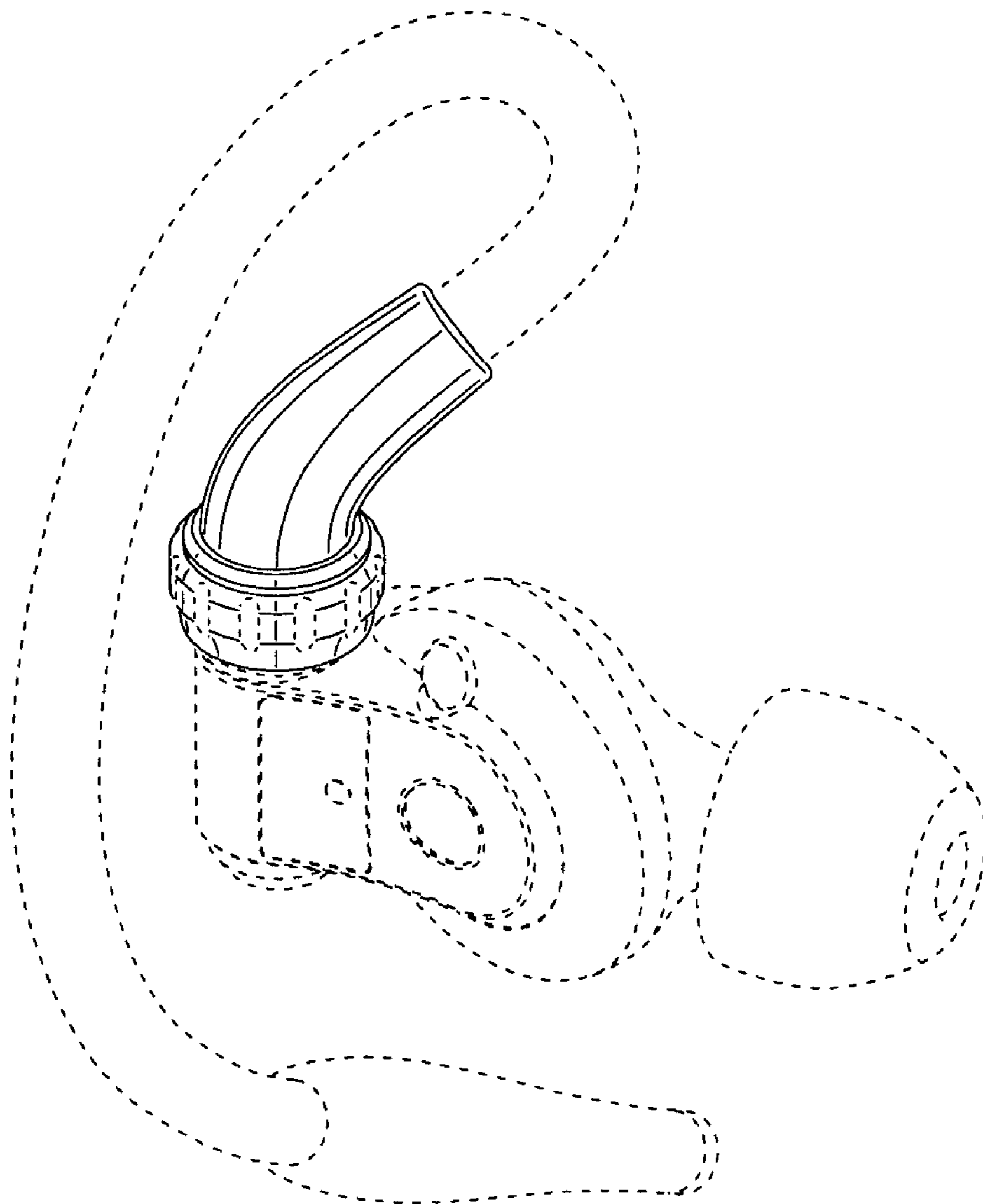


FIG.11

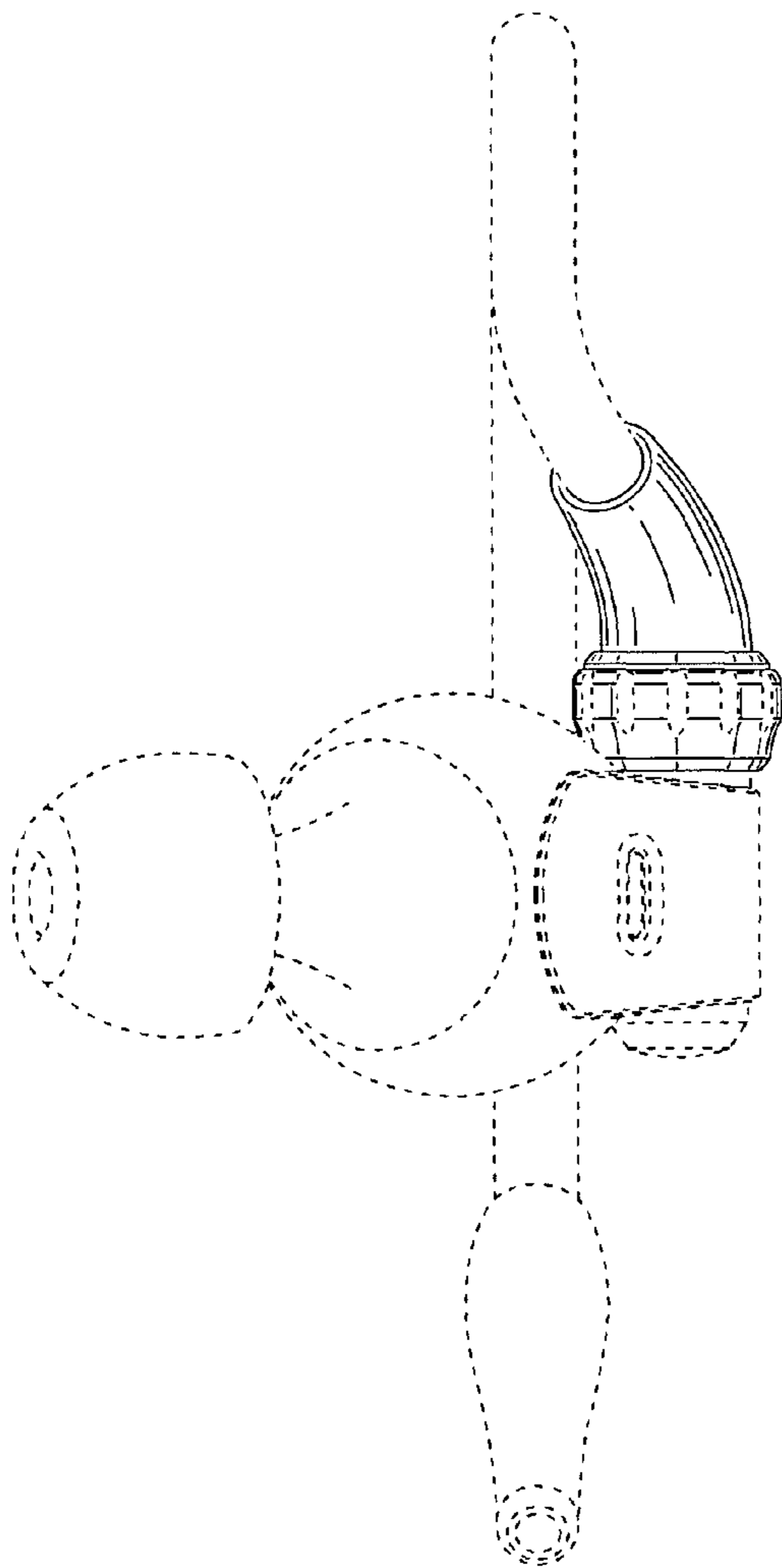


FIG.12

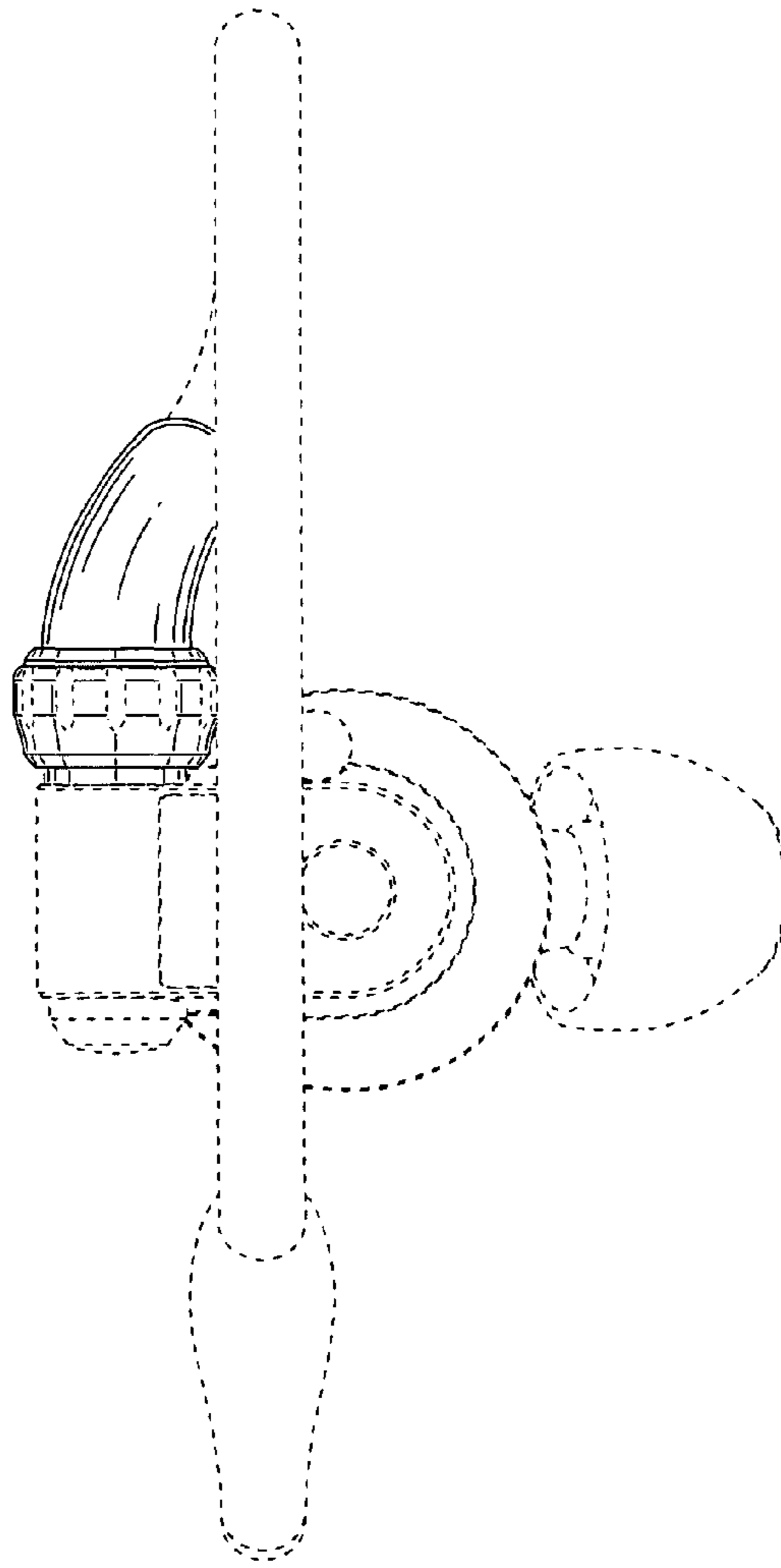


FIG. 13

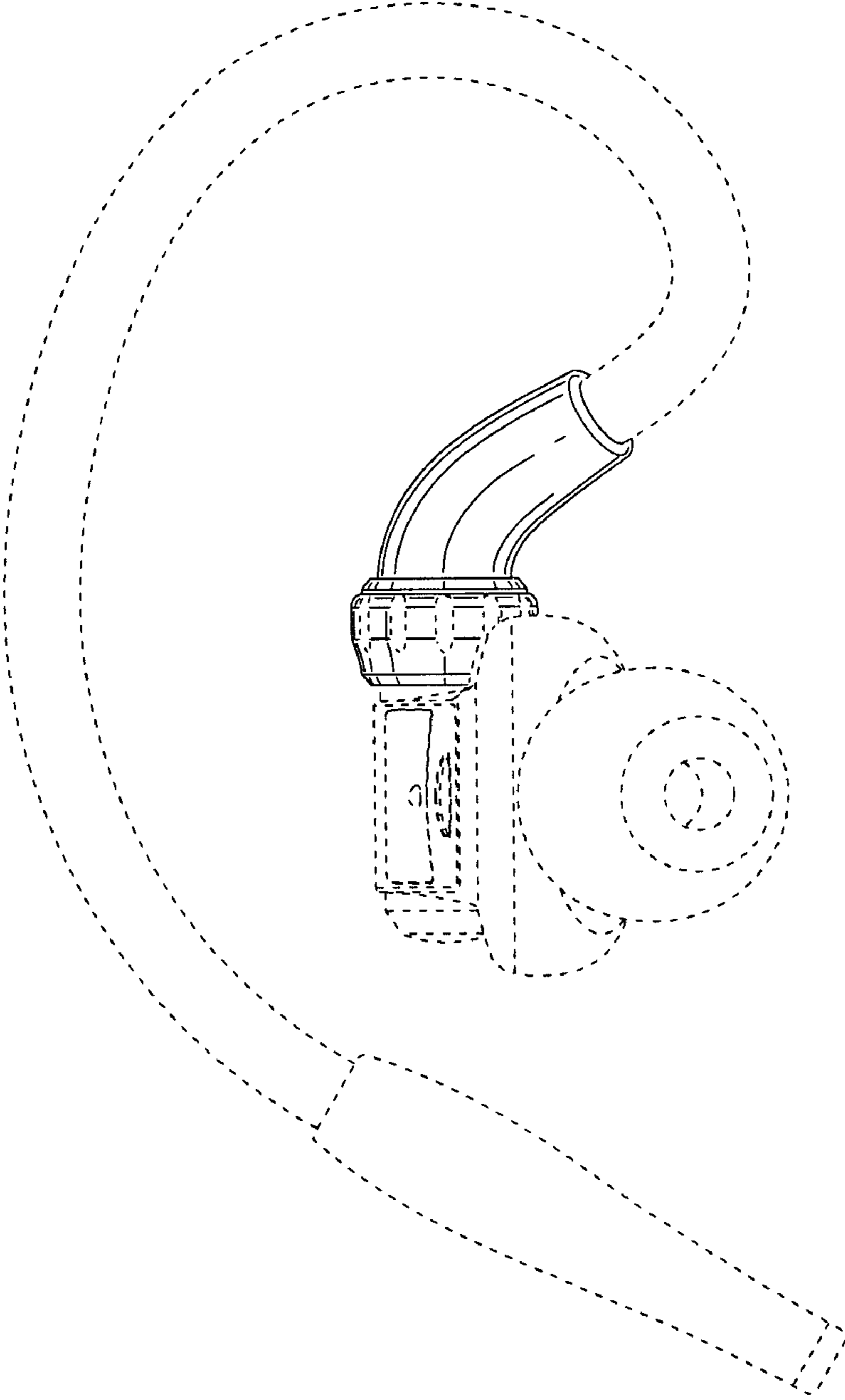


FIG.14

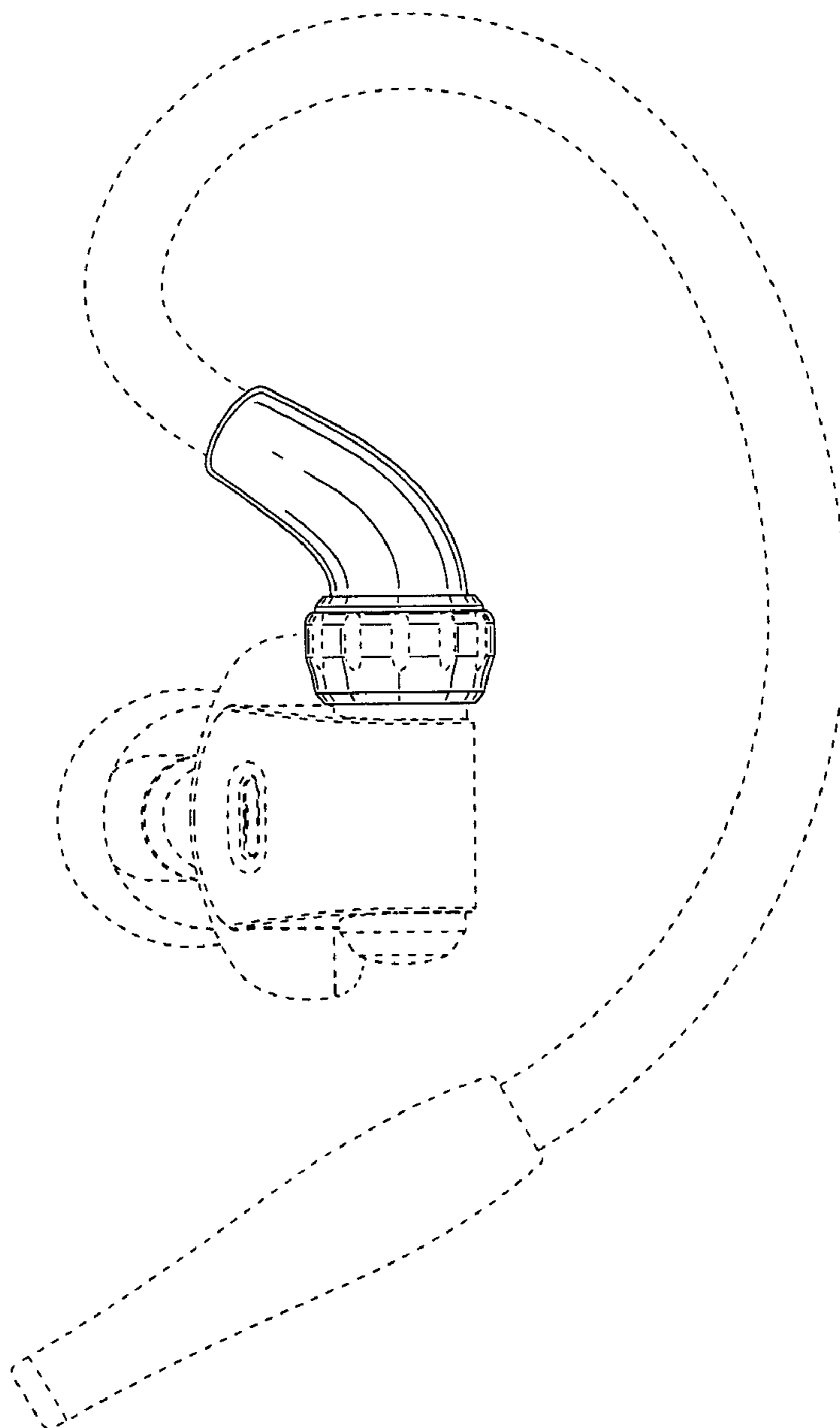


FIG.16

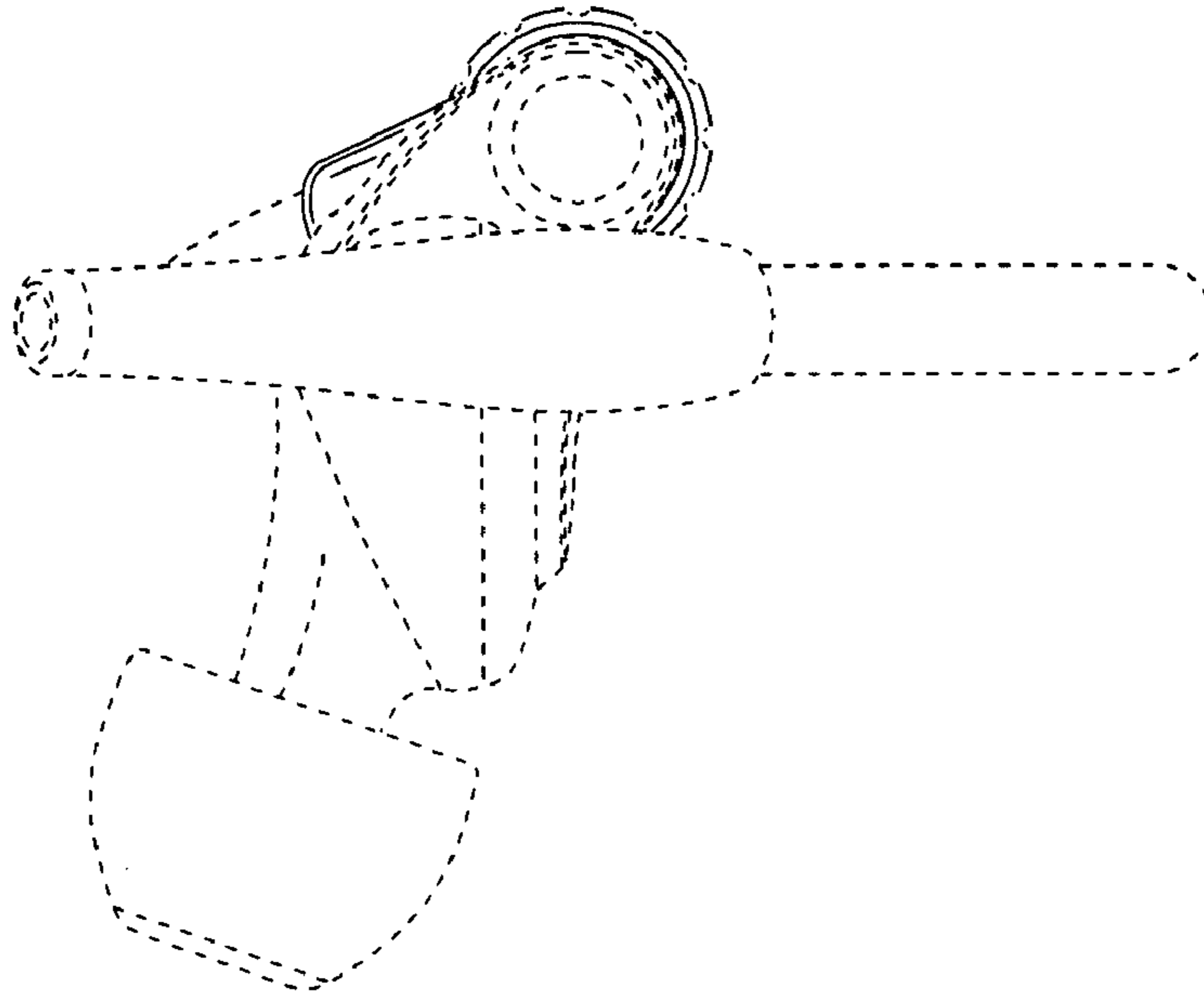


FIG.15

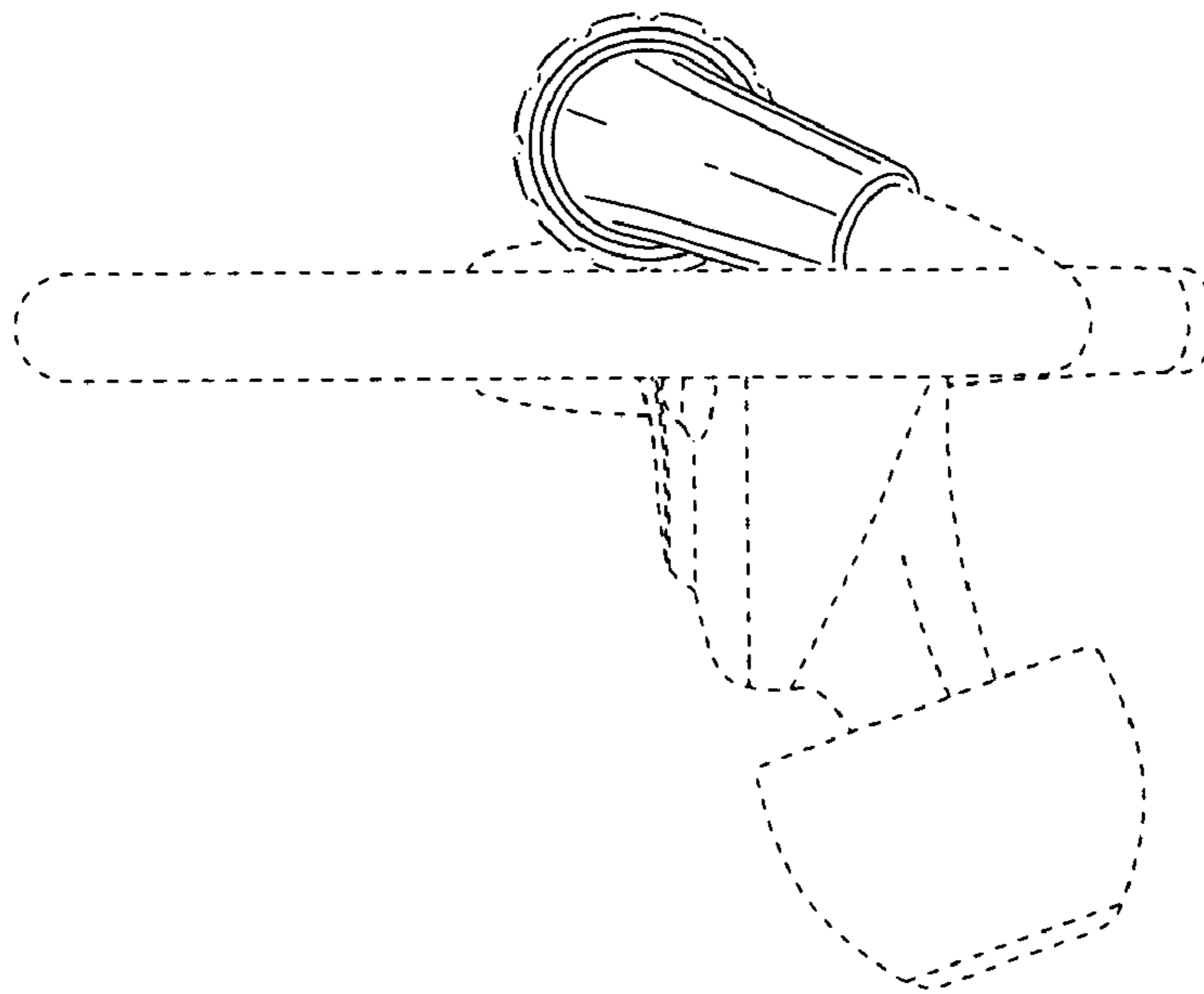


FIG.17

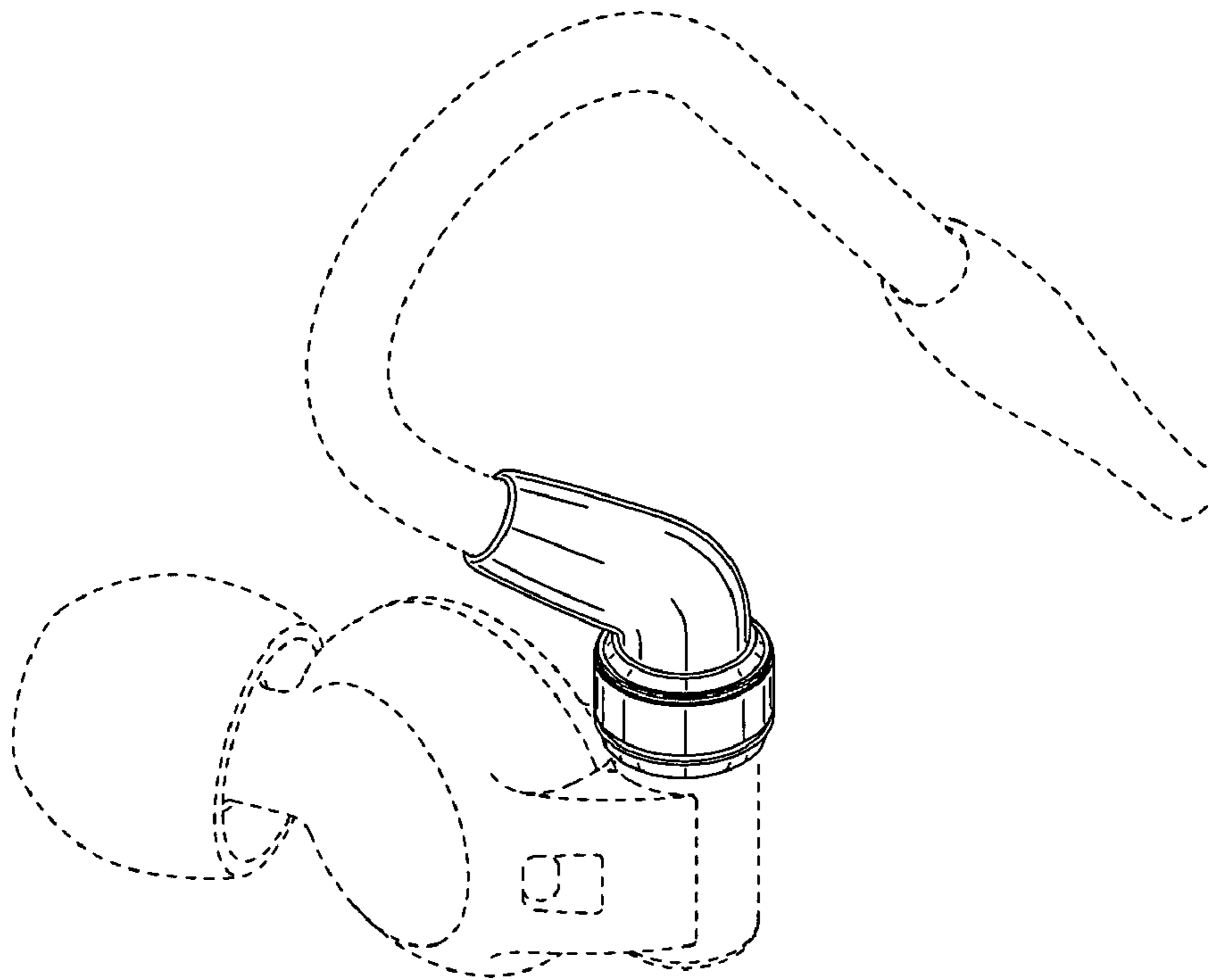


FIG. 18

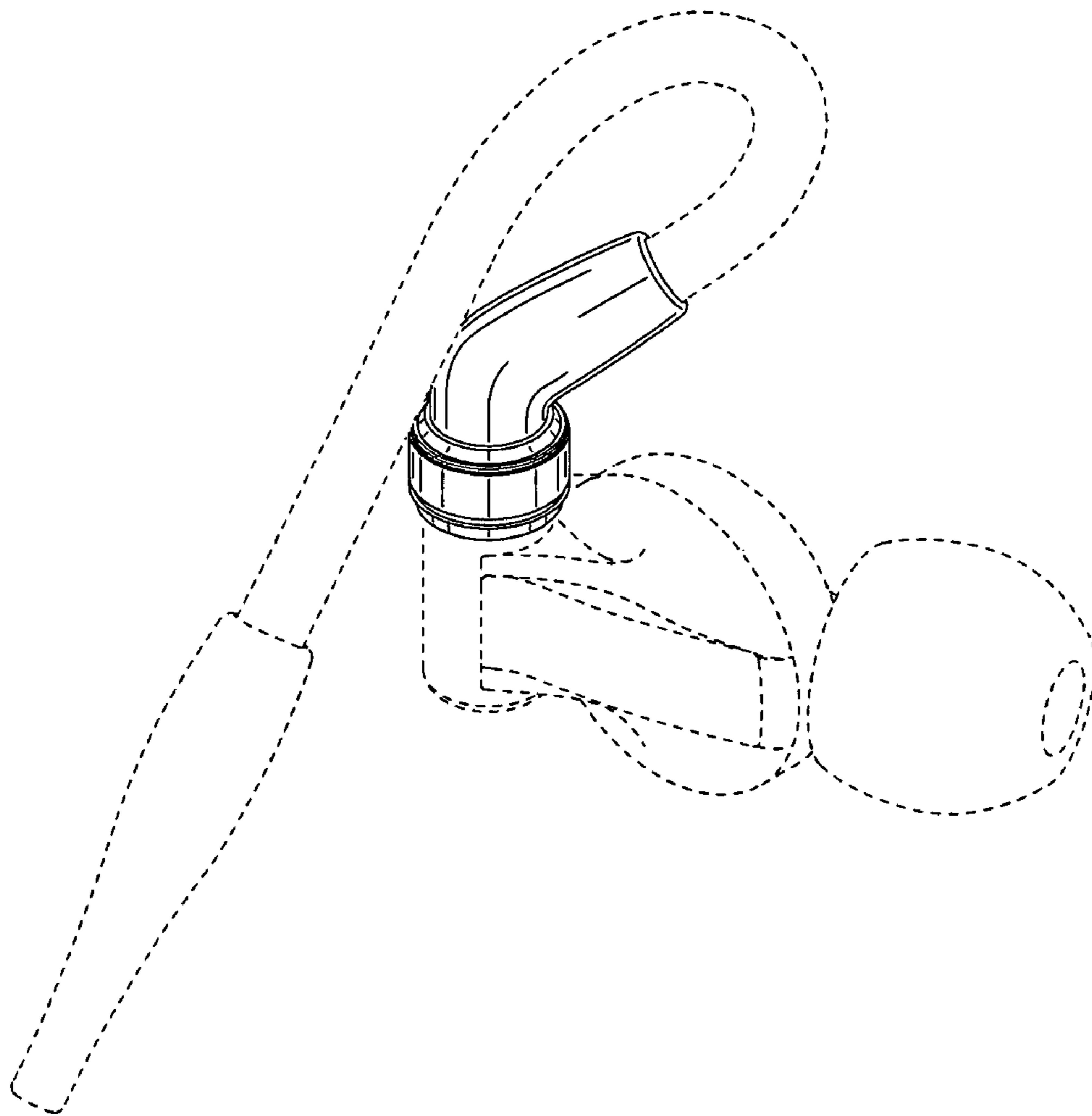




FIG.20

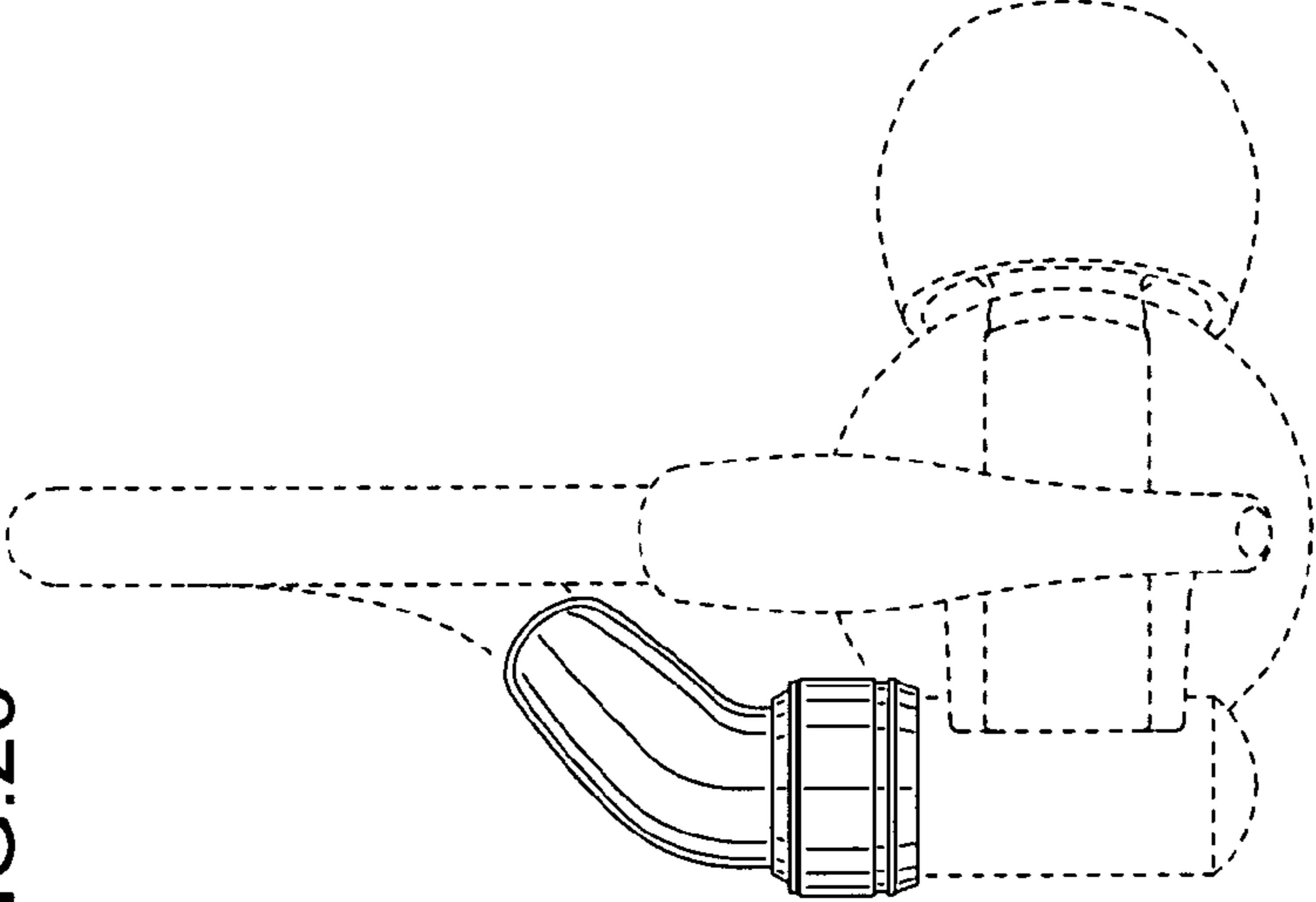


FIG.19

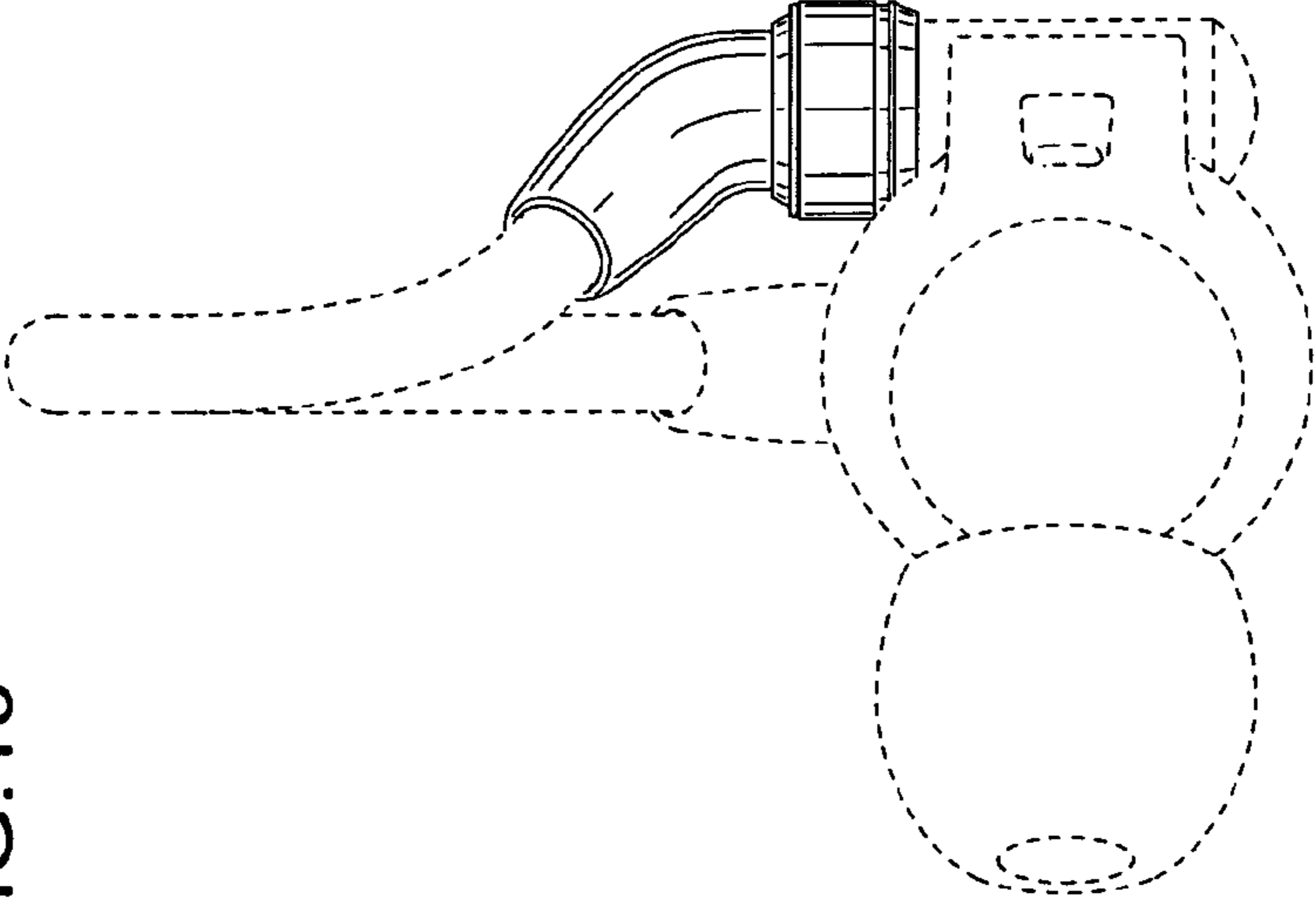


FIG.21

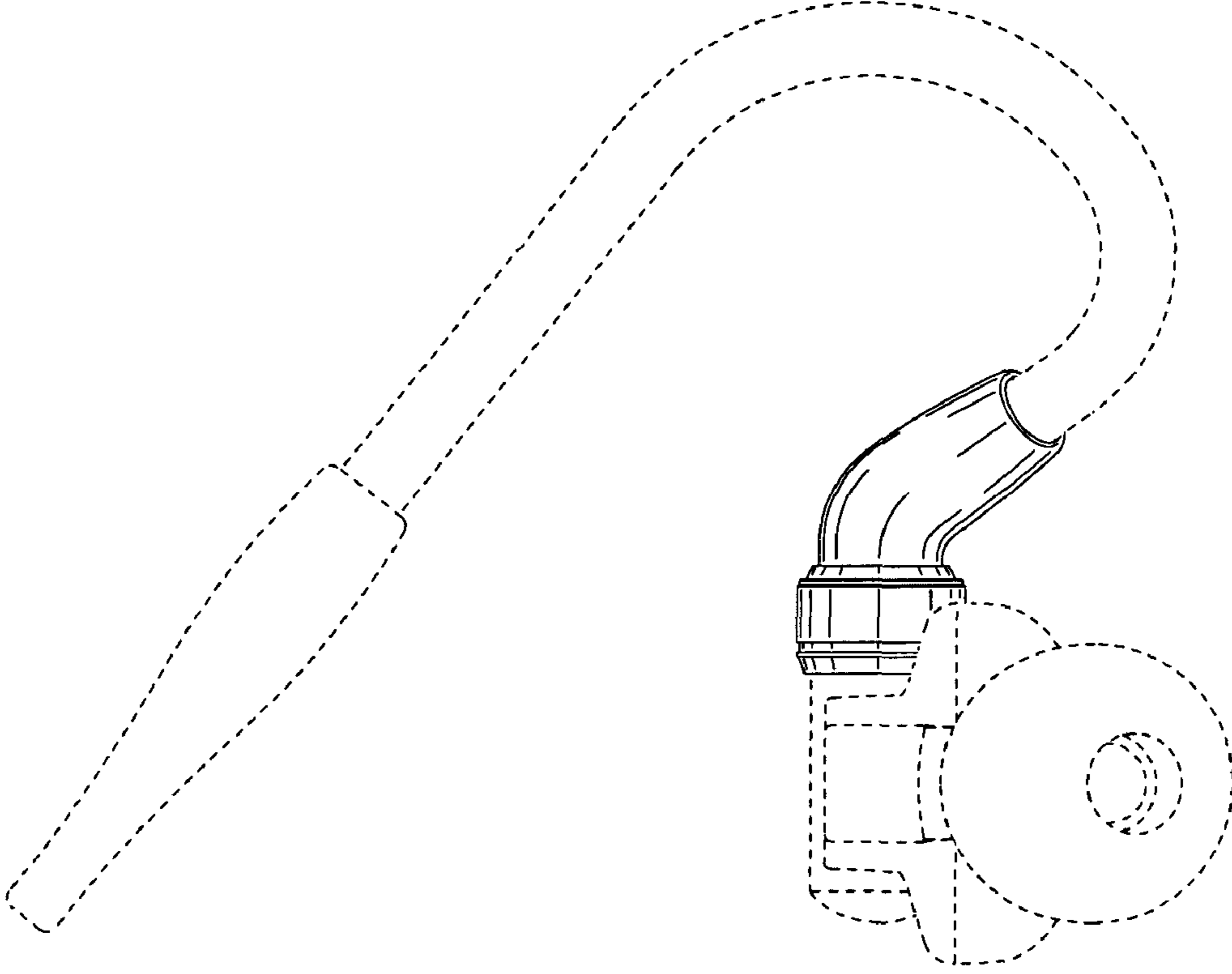
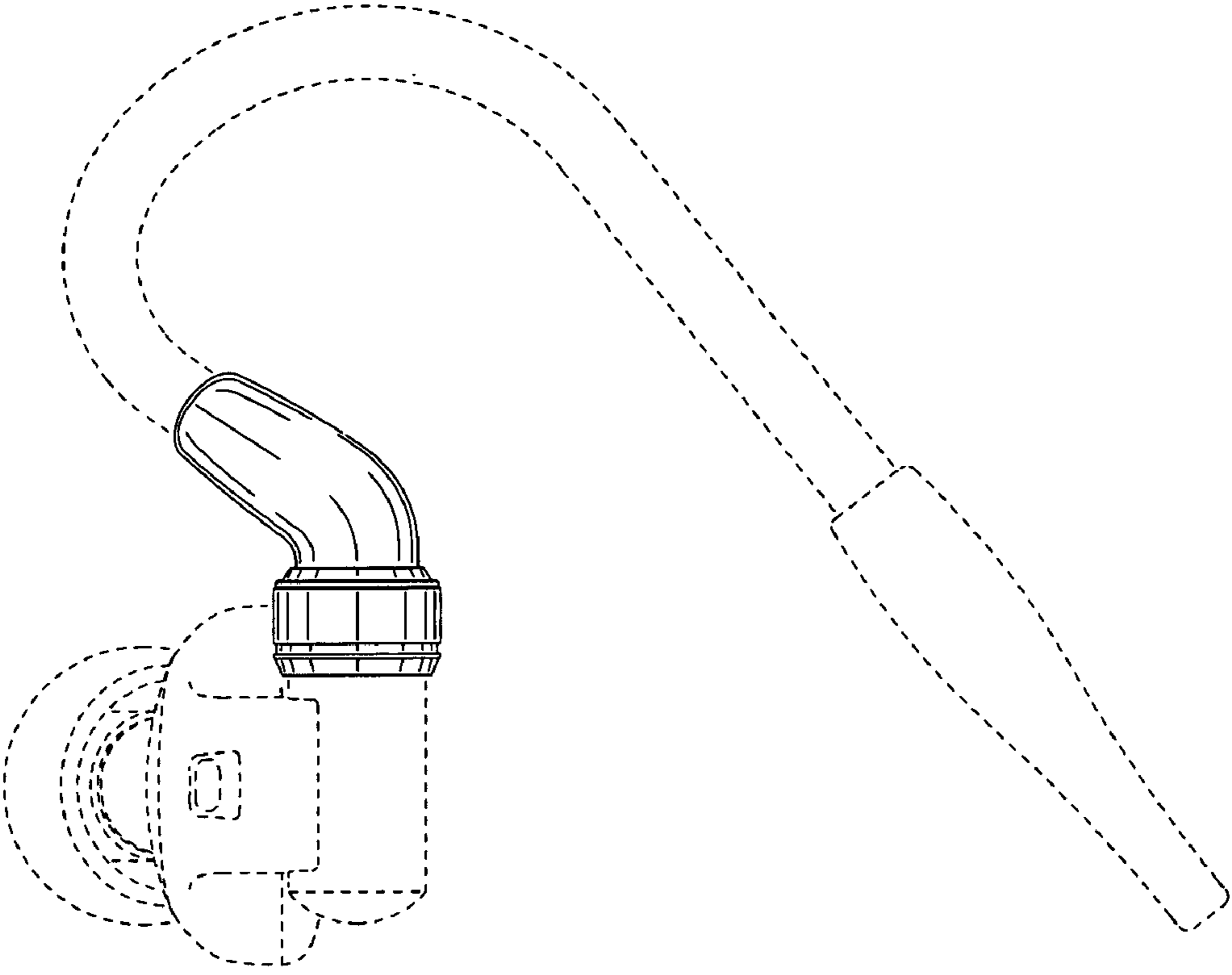


FIG.22



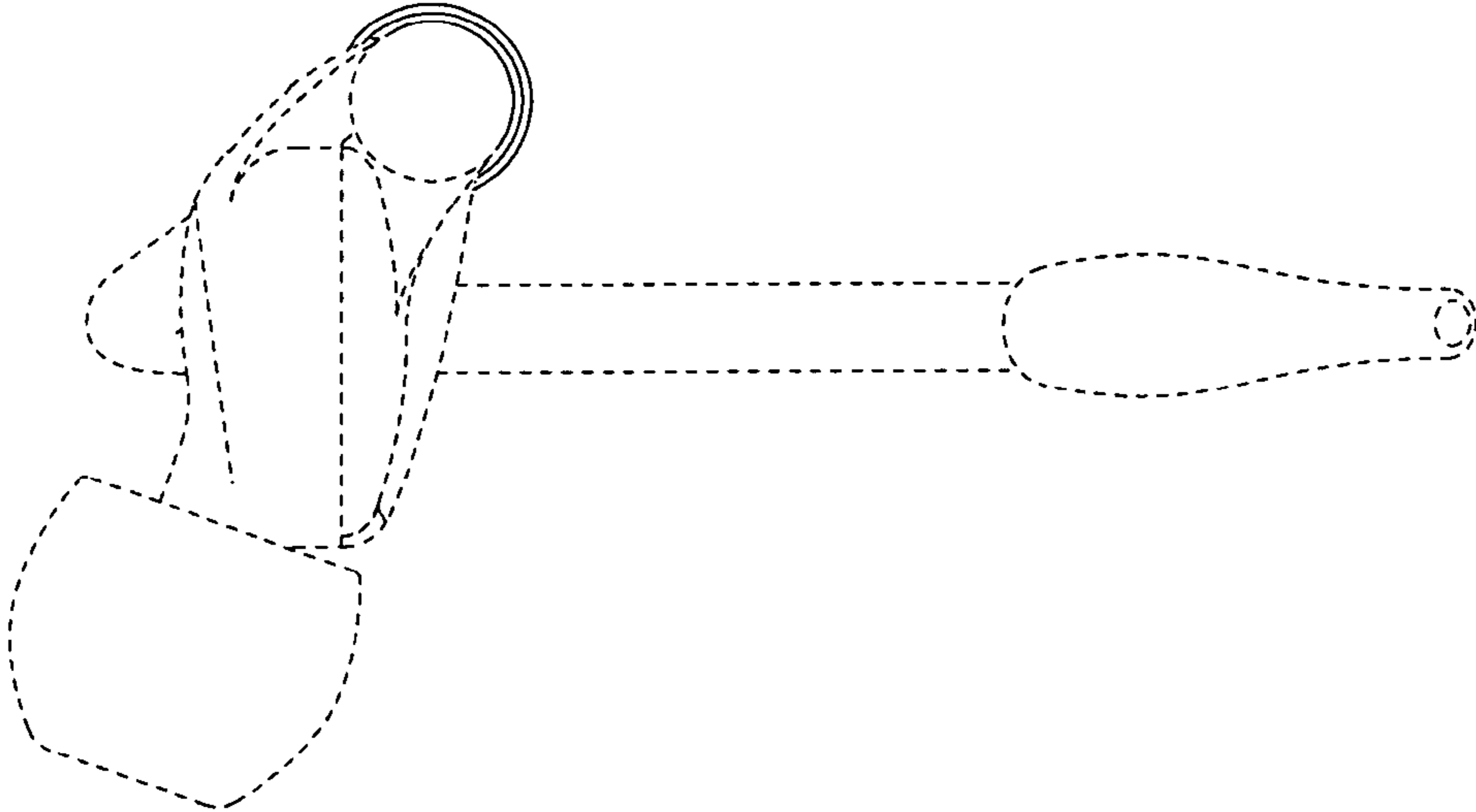


FIG. 24

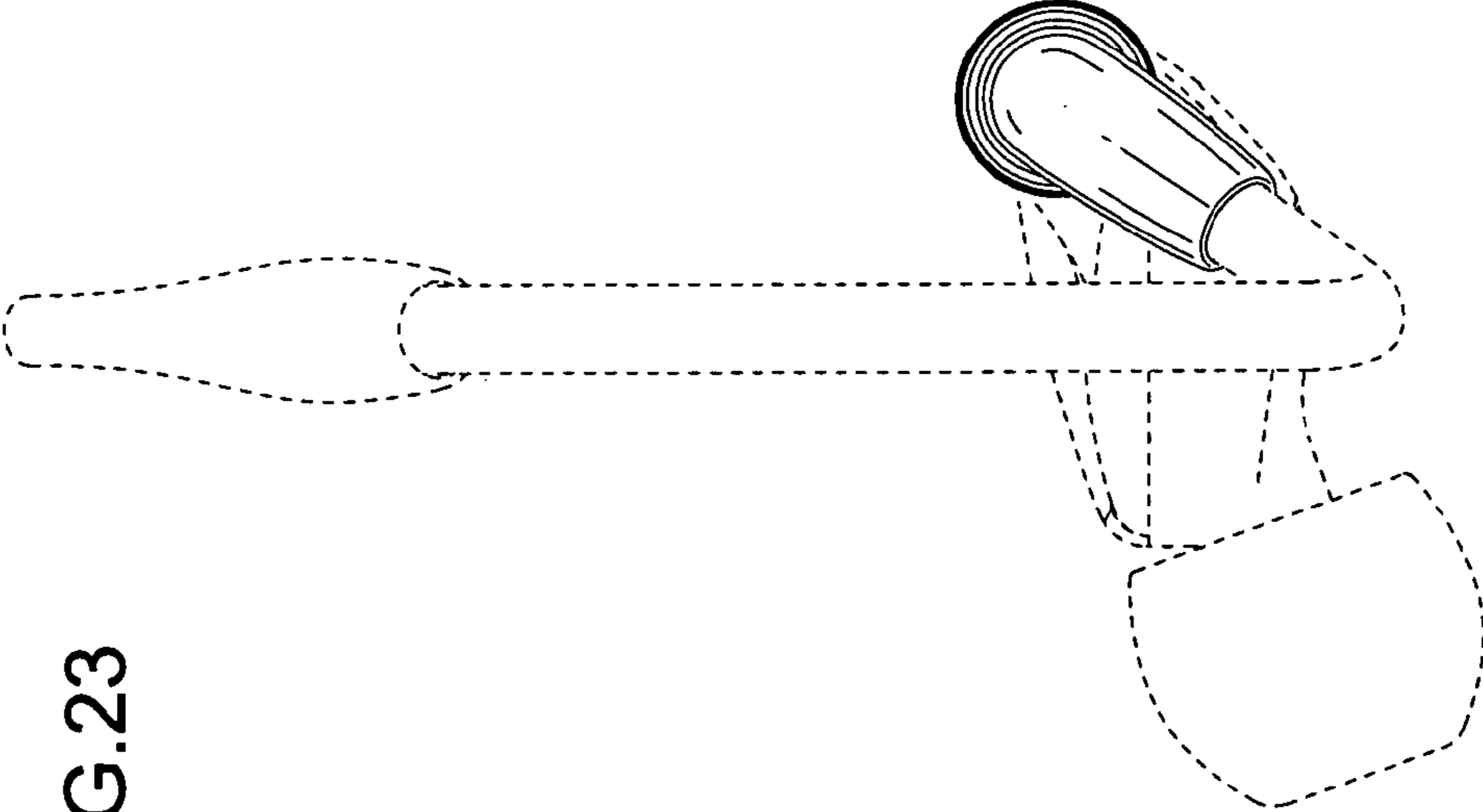


FIG. 23