



US00D653241S

(12) **United States Design Patent**
Lee et al.

(10) **Patent No.:** **US D653,241 S**
(45) **Date of Patent:** **** Jan. 31, 2012**

(54) **HEADPHONE**

(75) Inventors: **Noel Lee**, Las Vegas, NV (US);
Kendrew Lee, Tsing Yi (HK); **Jacky Hsiung**, San Jose, CA (US); **Li Hoi Yee**, Tsuen Wan (HK); **Jolie Clemens**, Santa Ana, CA (US)

(73) Assignee: **Monster Cable Products, Inc.**,
Brisbane, CA (US)

(**) Term: **14 Years**

(21) Appl. No.: **29/369,184**

(22) Filed: **Sep. 3, 2010**

(51) **LOC (9) Cl.** **14-01**

(52) **U.S. Cl.** **D14/223**

(58) **Field of Classification Search** D14/205,
D14/206, 223, 207; 181/129, 130, 131; 381/380,
381/381; 379/430, 433.01; 455/90.3, 575.1,
455/569.1; D21/361, 649, 577, 593, 594,
D21/621, 630, 633, 588; 24/102 P, 113 MP,
24/3.12, 561, 115 R; 36/112, 136; 63/18,
63/20

See application file for complete search history.

(56) **References Cited**

U.S. PATENT DOCUMENTS

2,667,004	A *	1/1954	Sanson	24/106
3,377,819	A *	4/1968	Joy et al.	63/31
3,605,438	A *	9/1971	Chalson	63/20
D259,203	S *	5/1981	Goldfarb et al.	D21/649
D326,523	S *	5/1992	Chen et al.	D24/197
D327,268	S *	6/1992	Anstin	D14/192
D333,659	S *	3/1993	Williams	D14/205
D336,299	S *	6/1993	Darovic	D14/205
D357,916	S *	5/1995	Covington	D14/205
D371,639	S *	7/1996	Schmitt	D29/112
D383,136	S *	9/1997	Leifer	D14/223
5,673,501	A *	10/1997	Mathews	36/136
D405,722	S *	2/1999	Ayoub	D11/162
D506,791	S *	6/2005	Germano	D21/648

D557,687	S *	12/2007	Eisenbraun et al.	D14/223
7,389,567	B2 *	6/2008	Rogers et al.	24/113 R
7,536,156	B2 *	5/2009	Tischer et al.	455/90.3
D594,441	S	6/2009	Lee et al.		
D598,901	S	8/2009	Lee et al.		
D599,781	S	9/2009	Lee et al.		
D600,675	S	9/2009	Lee et al.		
D645,021	S *	9/2011	Lee et al.	D14/205

* cited by examiner

Primary Examiner — Paula Greene

(74) *Attorney, Agent, or Firm* — LaRiviere, Grubman & Payne, LLP

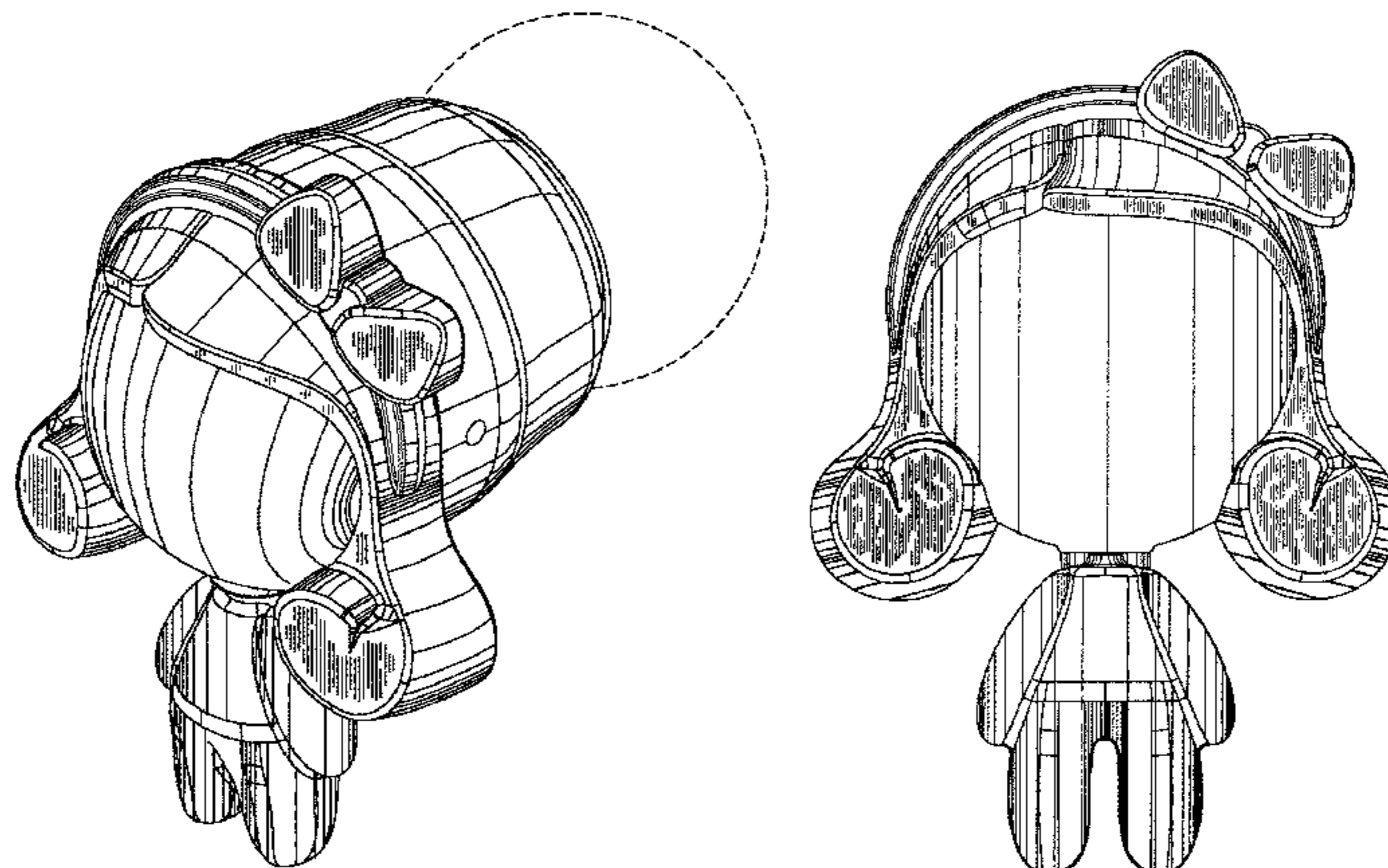
(57) **CLAIM**

The ornamental design for a headphone, as shown and described.

DESCRIPTION

FIG. 1 is a perspective view of a headphone, showing our design;
 FIG. 2 is an opposing perspective view thereof;
 FIG. 3 is a front view thereof;
 FIG. 4 is a back view thereof;
 FIG. 5 is a side view thereof;
 FIG. 6 is an opposing side view thereof;
 FIG. 7 is a top view thereof;
 FIG. 8 is a bottom view thereof;
 FIG. 9 is a perspective view of another embodiment of the headphone of FIG. 1;
 FIG. 10 is an opposing perspective view of another embodiment of the headphone of FIG. 9;
 FIG. 11 is a front view of the embodiment of FIG. 9;
 FIG. 12 is a rear view of the embodiment of FIG. 9;
 FIG. 13 is a side view of the embodiment of FIG. 9;
 FIG. 14 is an opposing side view of the embodiment of FIG. 9;
 FIG. 15 is a top view of the embodiment of FIG. 9; and,
 FIG. 16 is a bottom view of the embodiment of FIG. 9.
 The broken lines showing the environment are for illustrative purposes only and form no part of the claimed design.

1 Claim, 6 Drawing Sheets



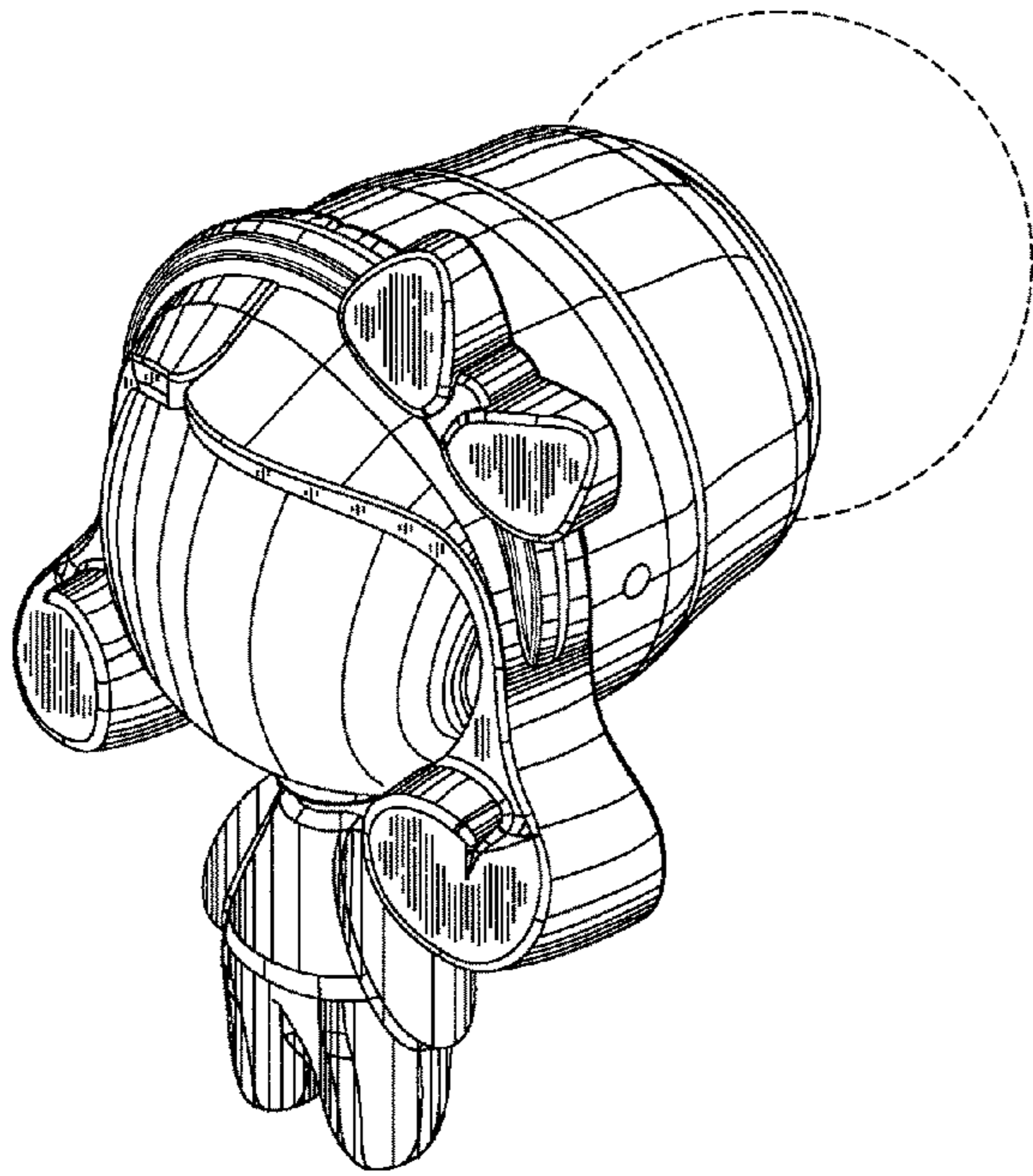


Figure 1

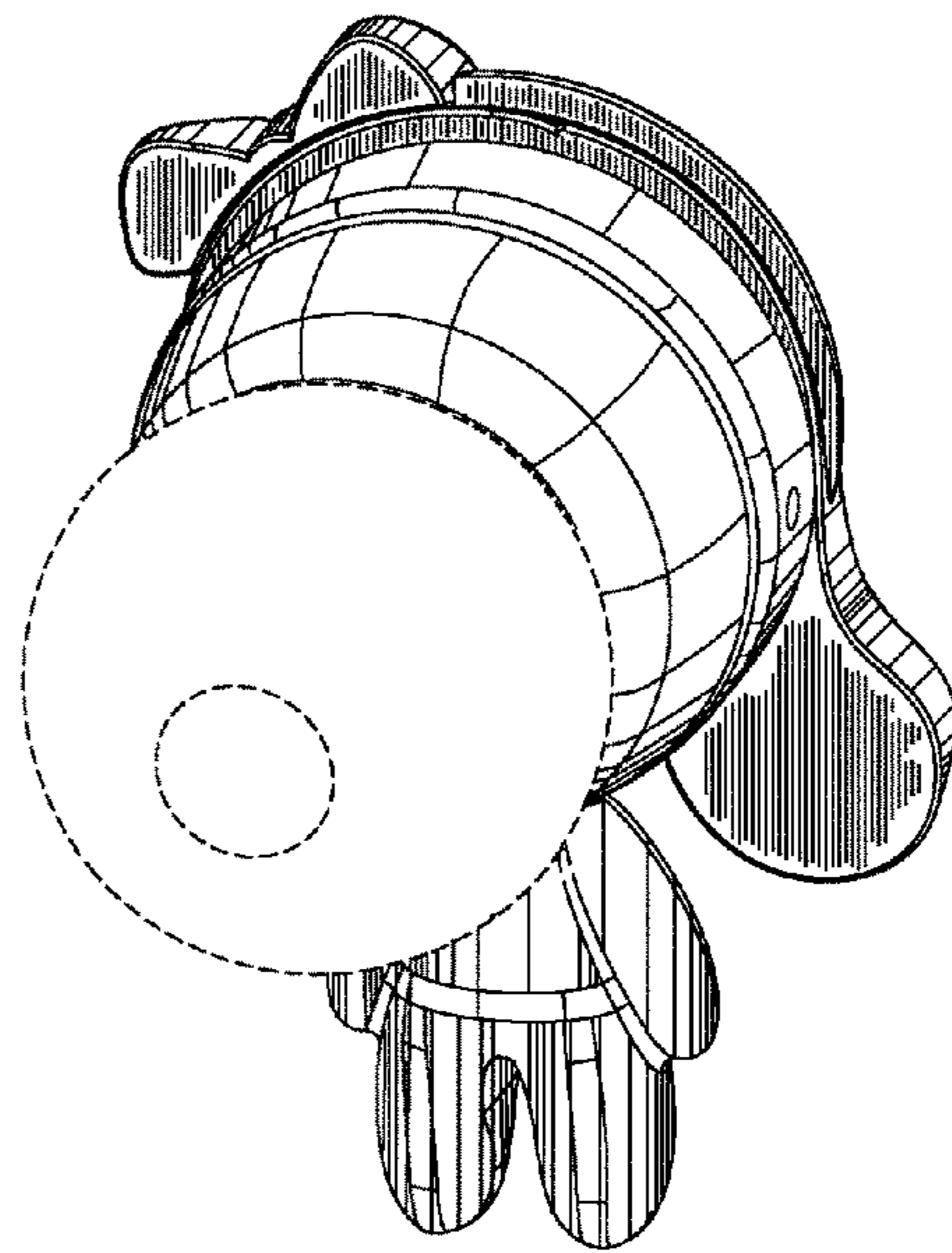


Figure 2

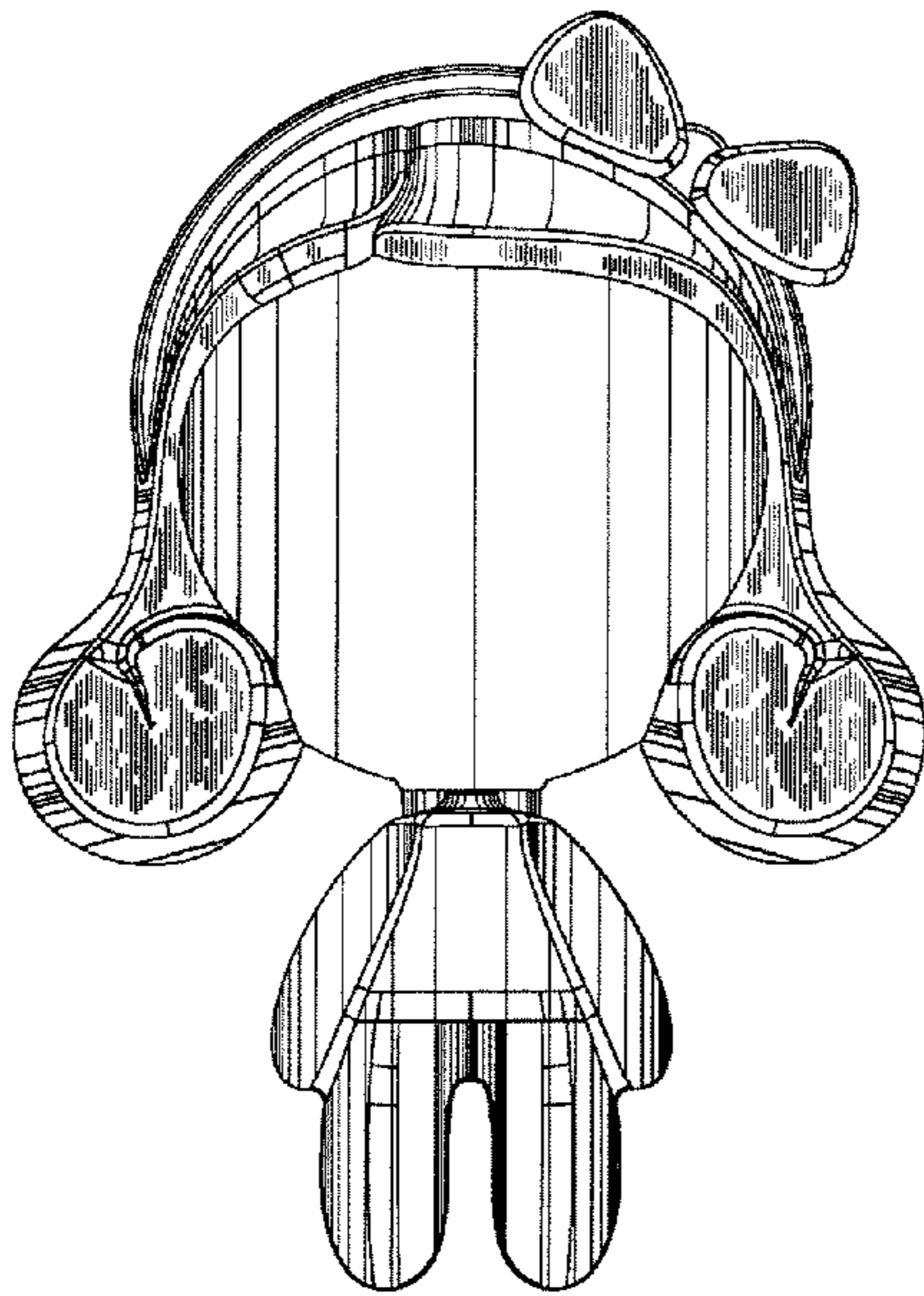


Figure 3

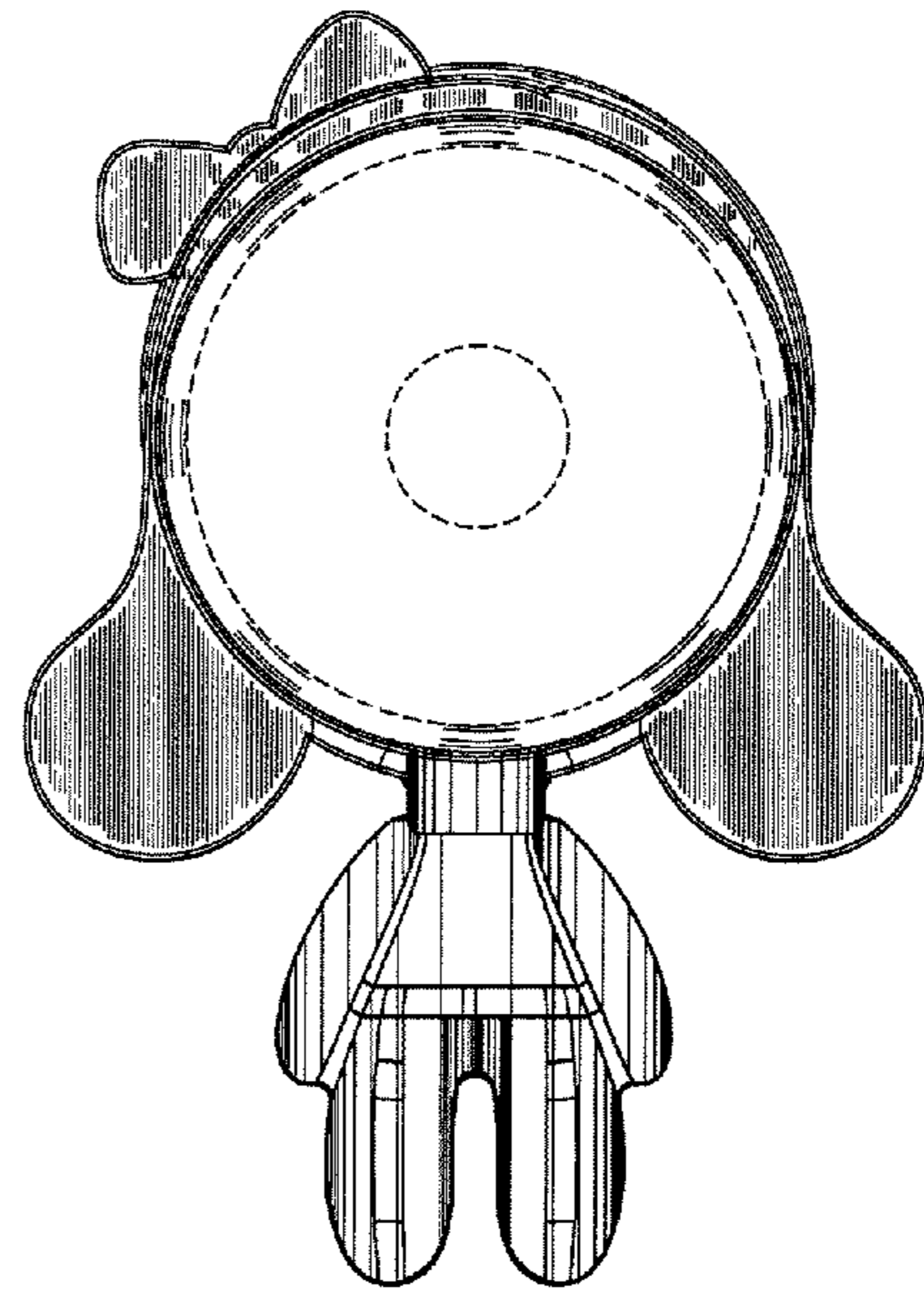


Figure 4

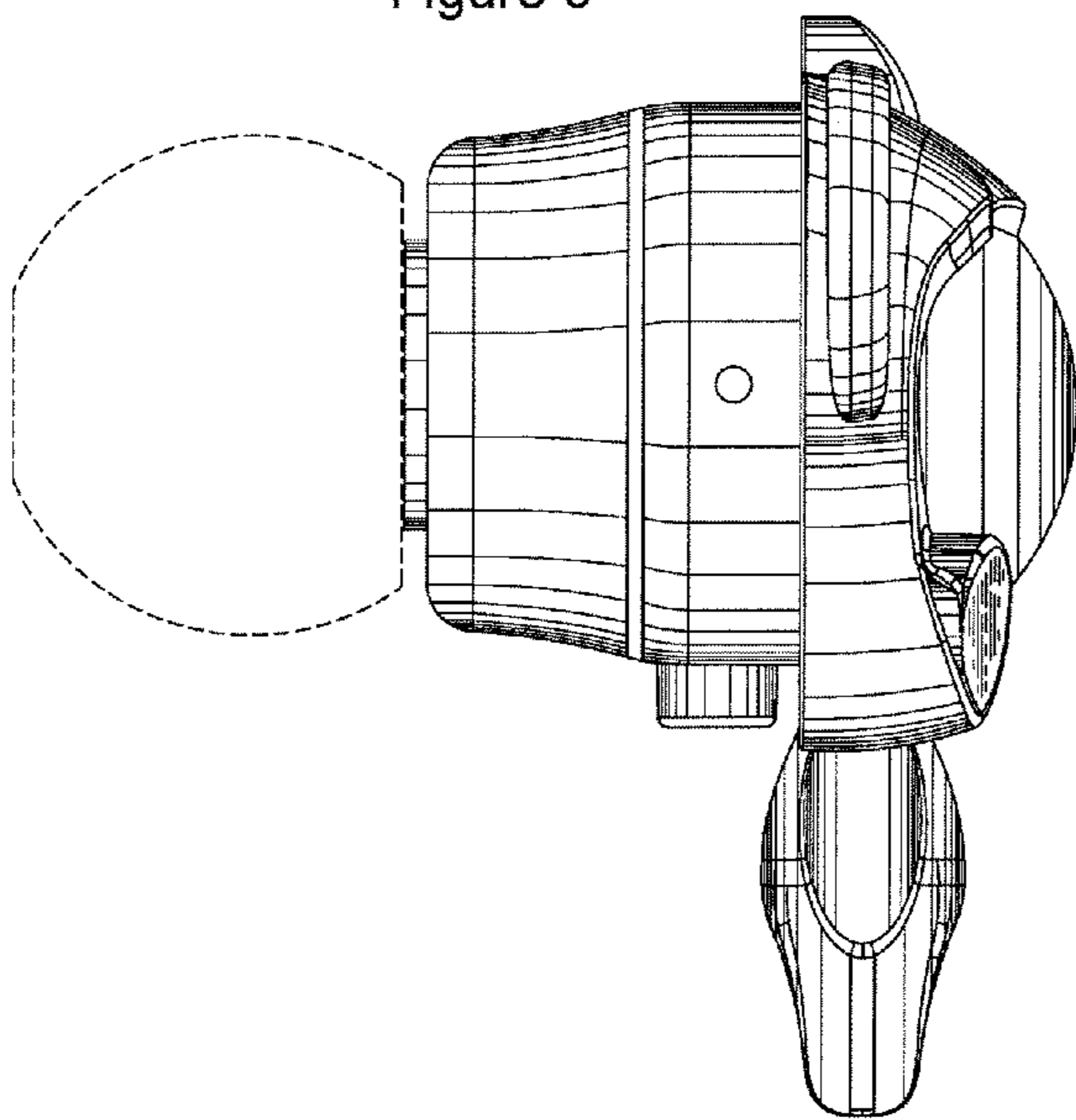


Figure 5

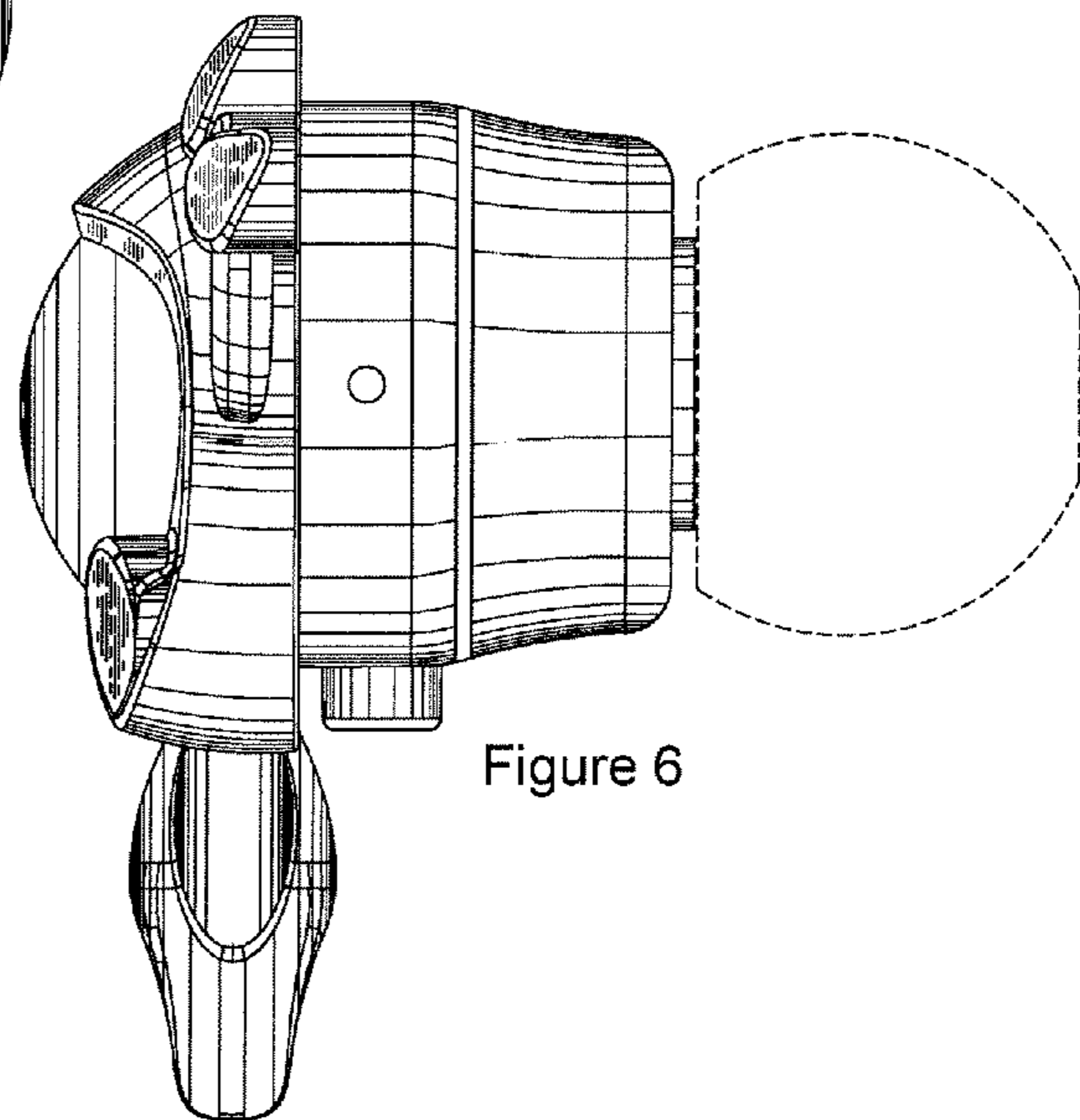


Figure 6

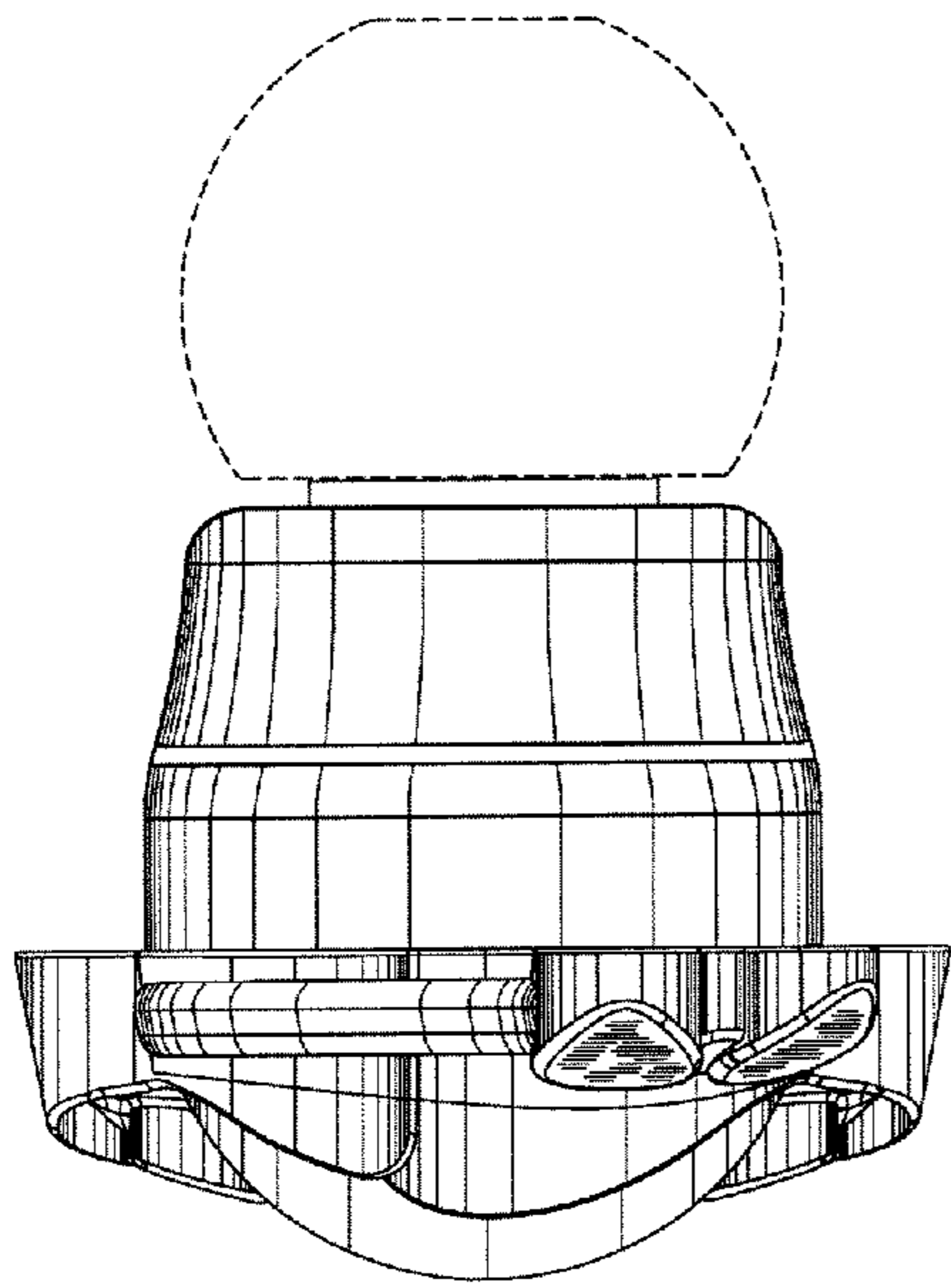


Figure 7

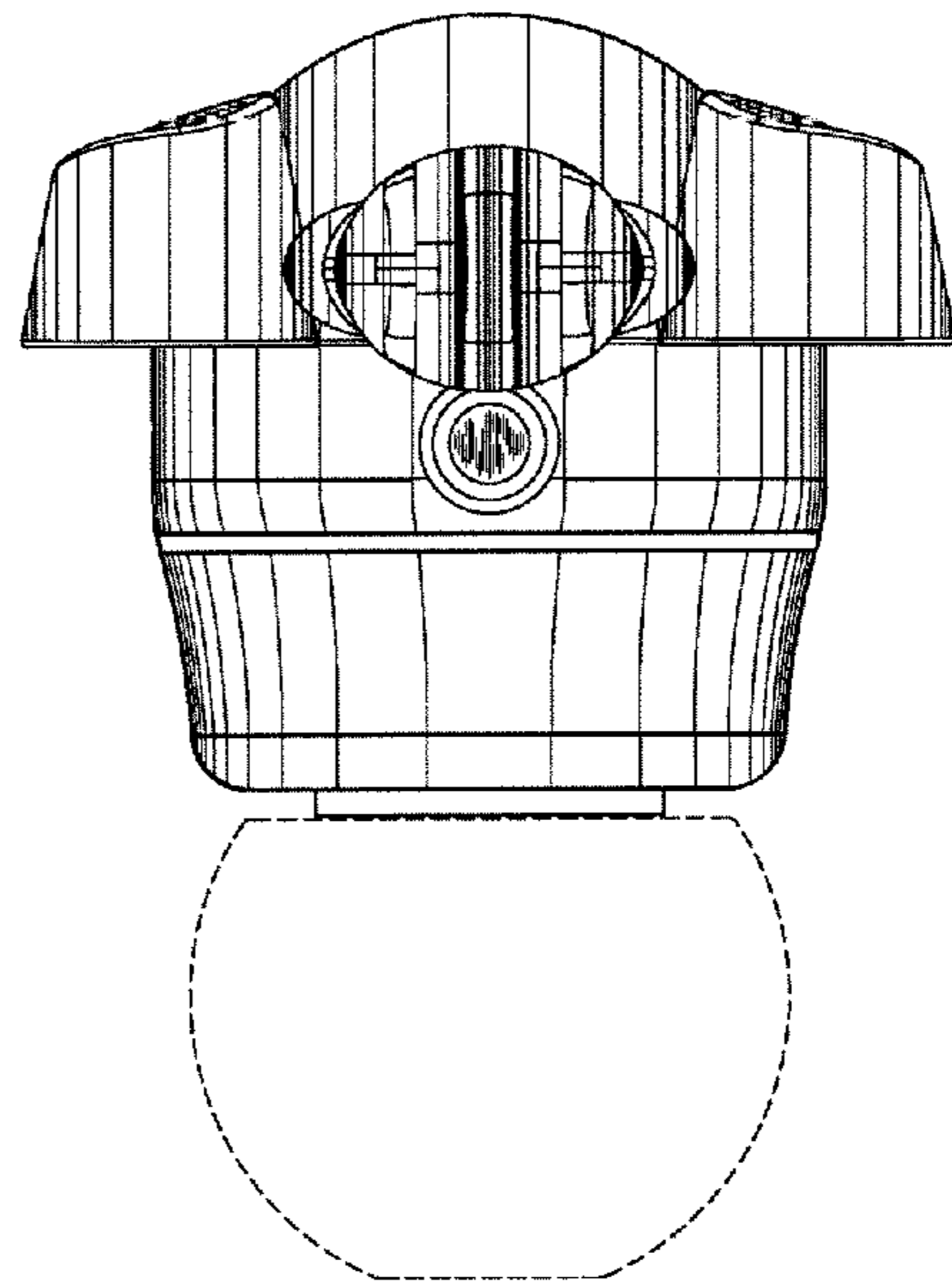


Figure 8

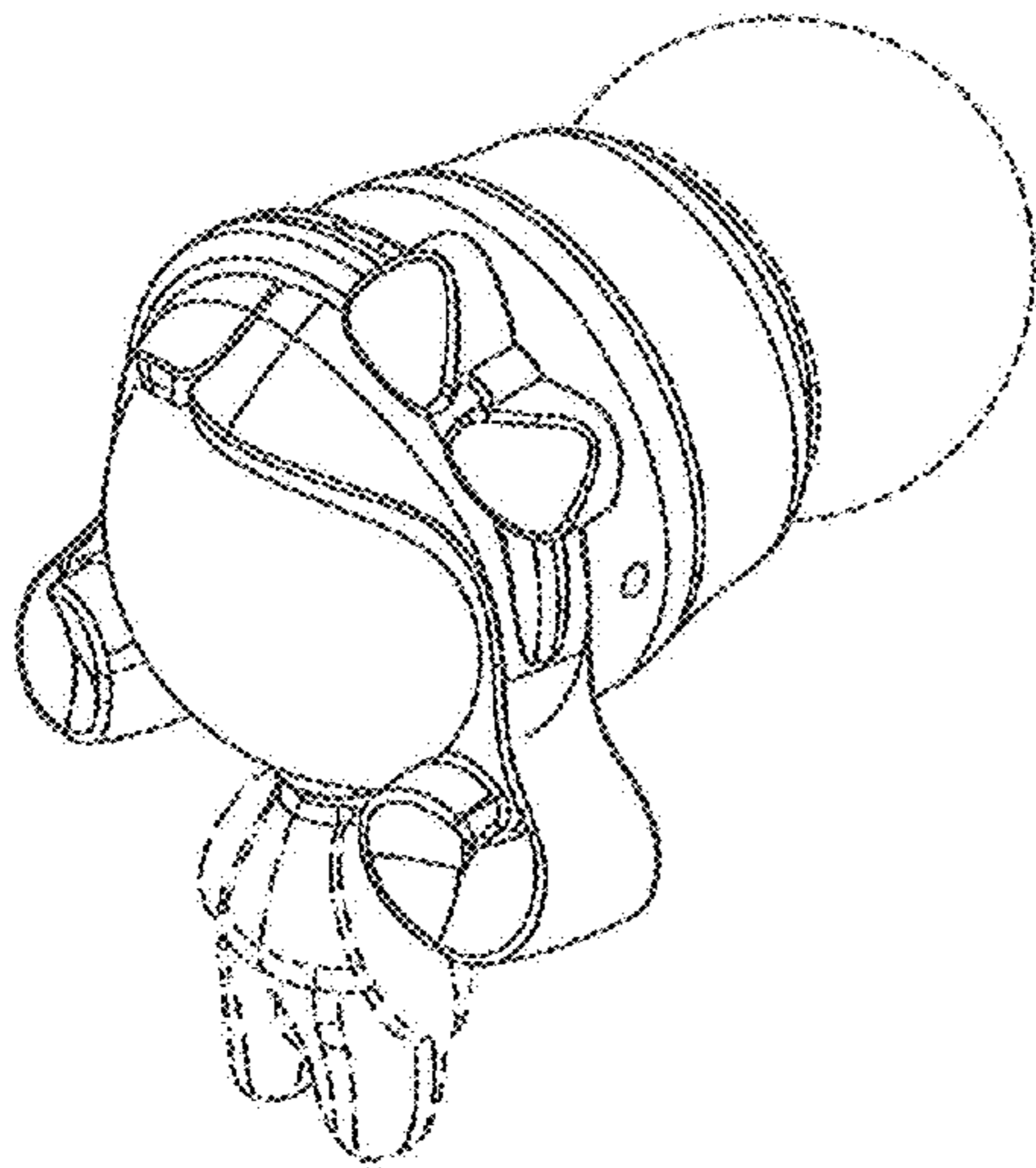


Figure 9

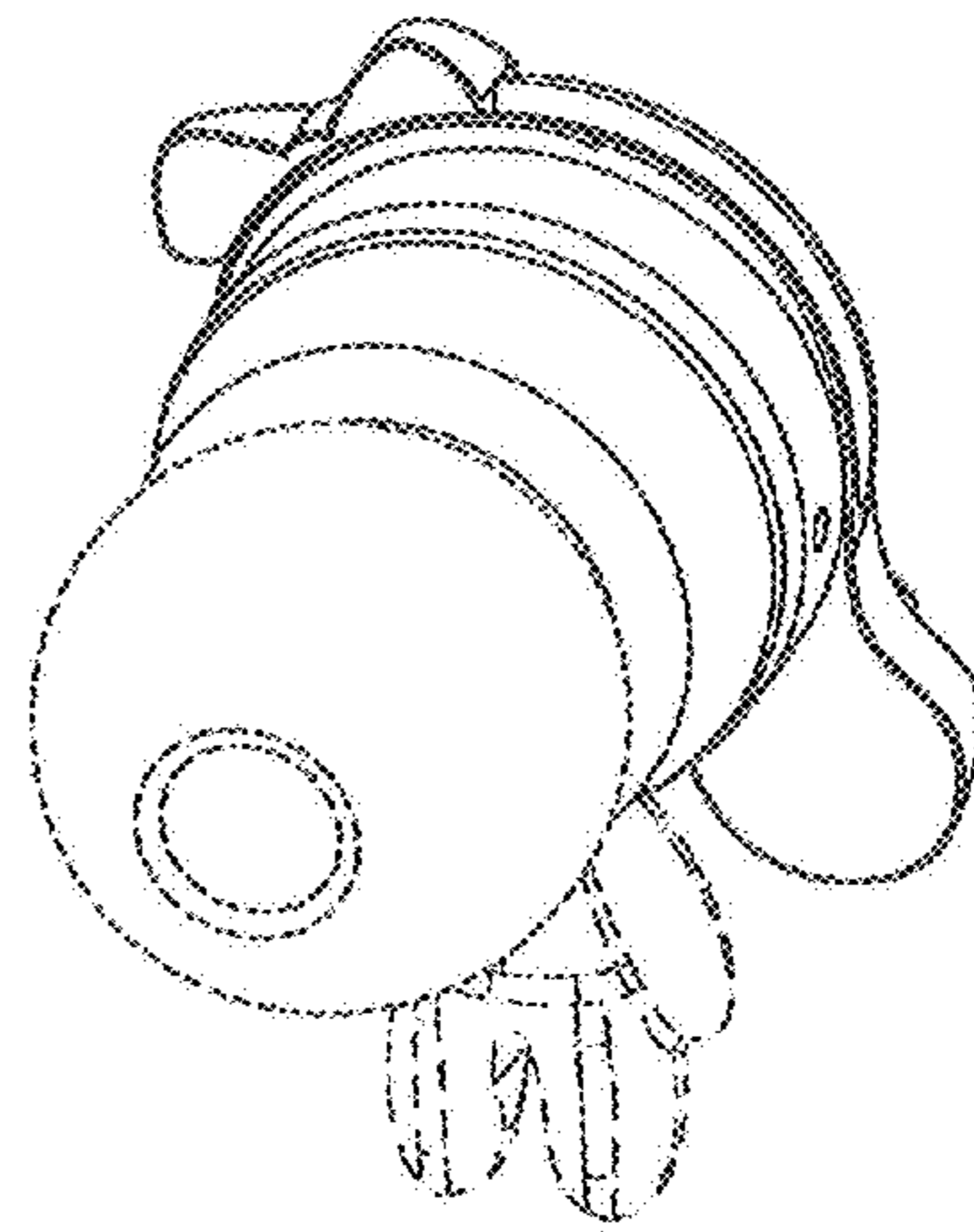


Figure 10

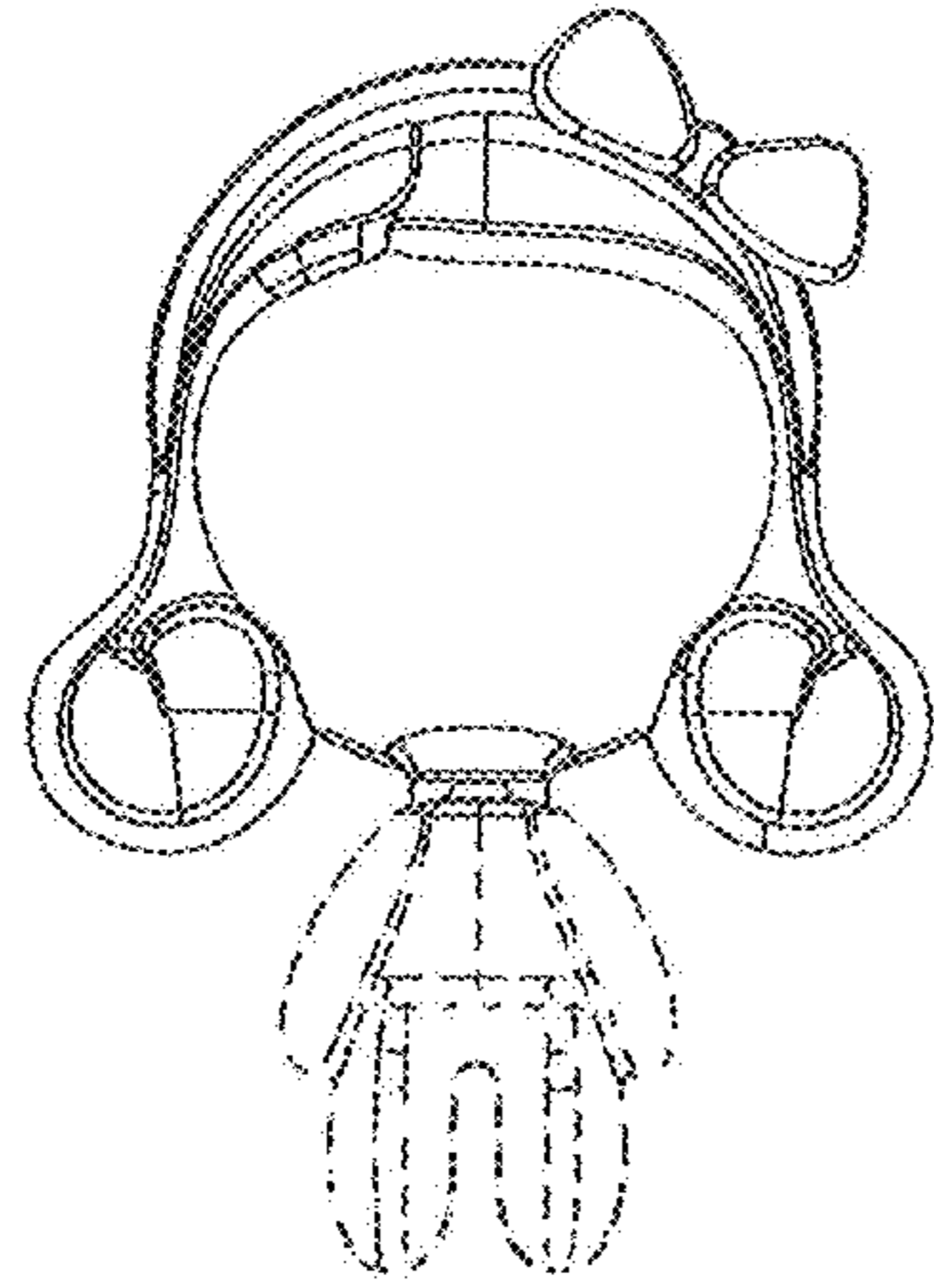


Figure 11

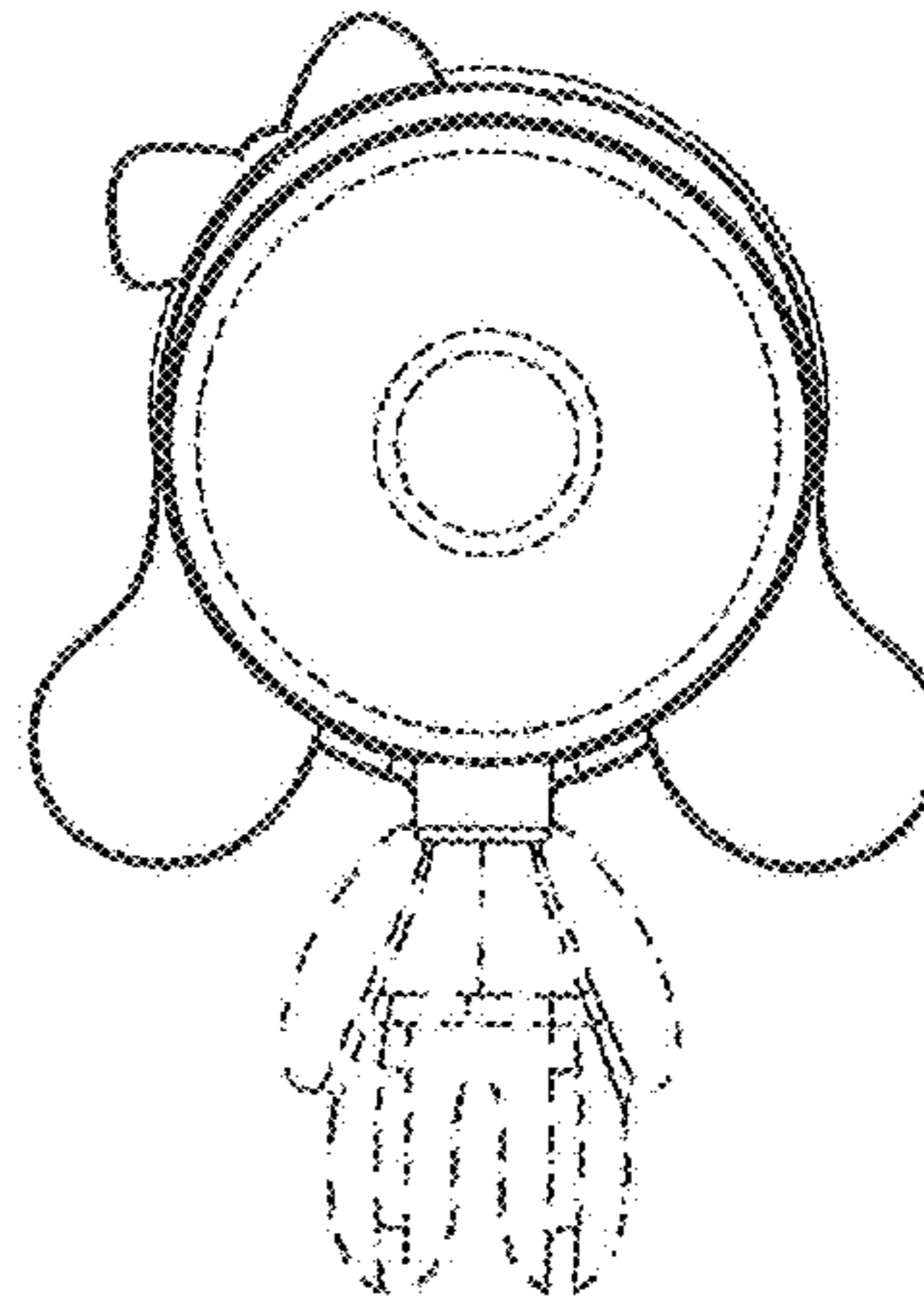


Figure 12

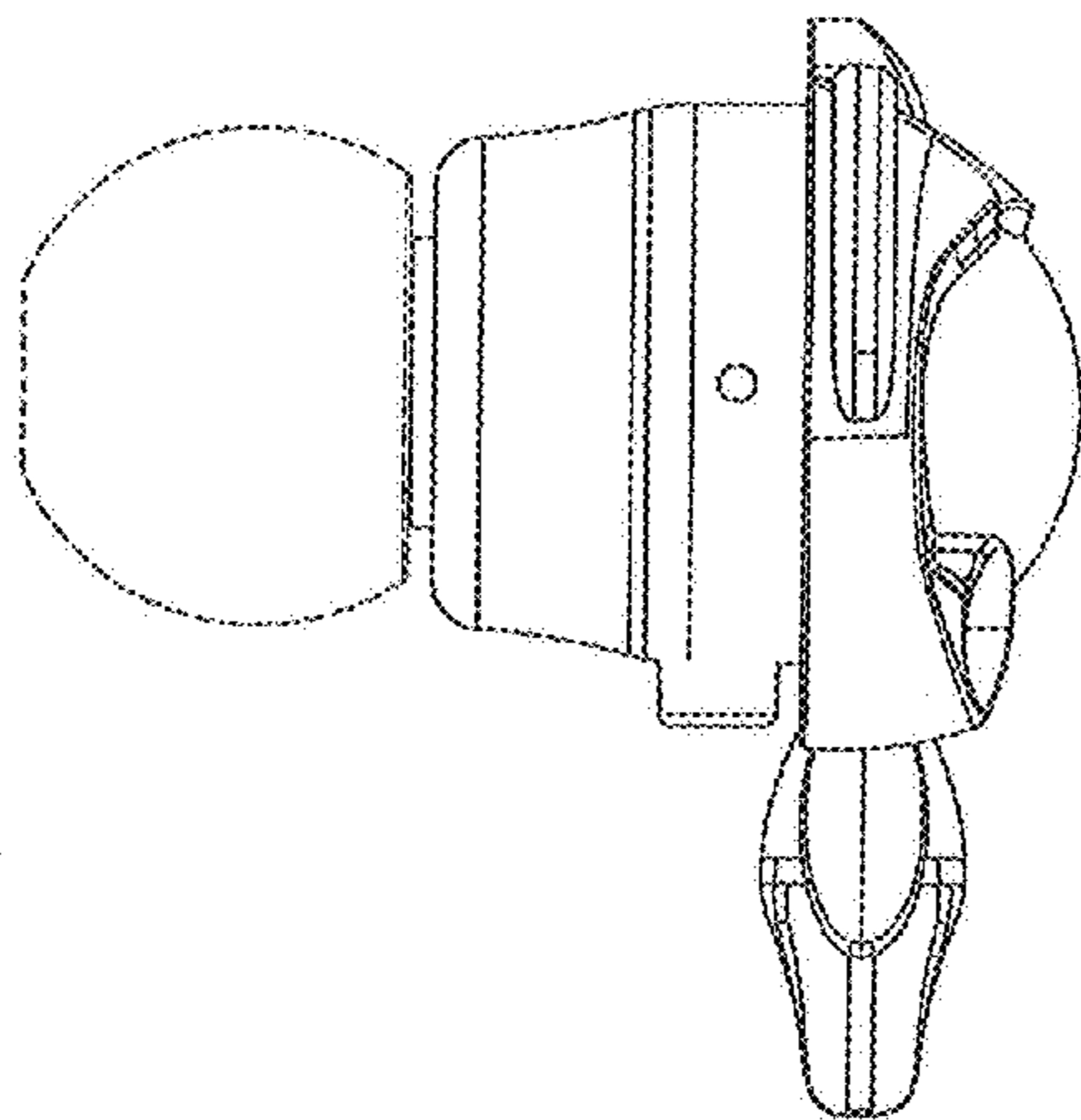


Figure 13

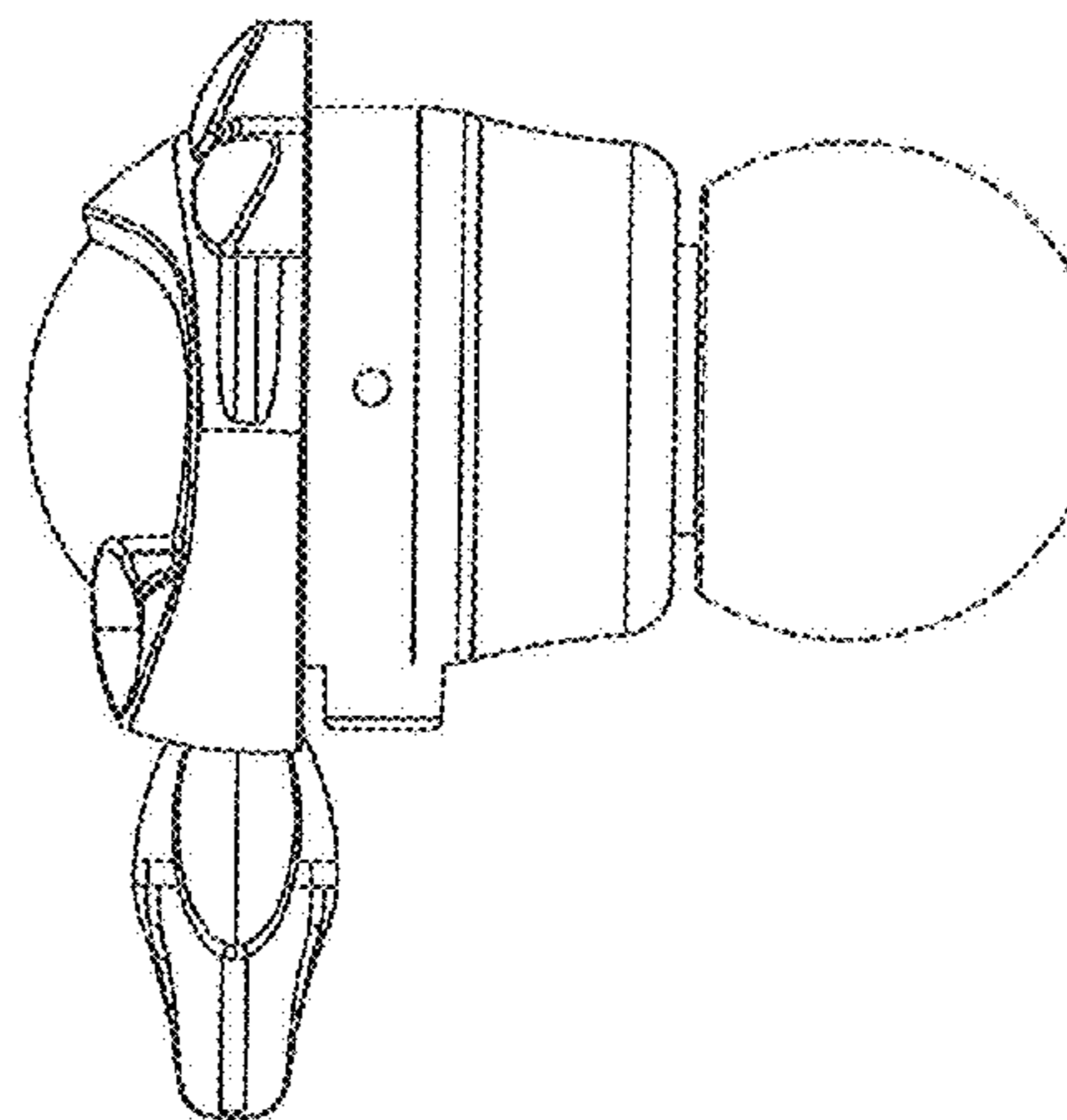


Figure 14

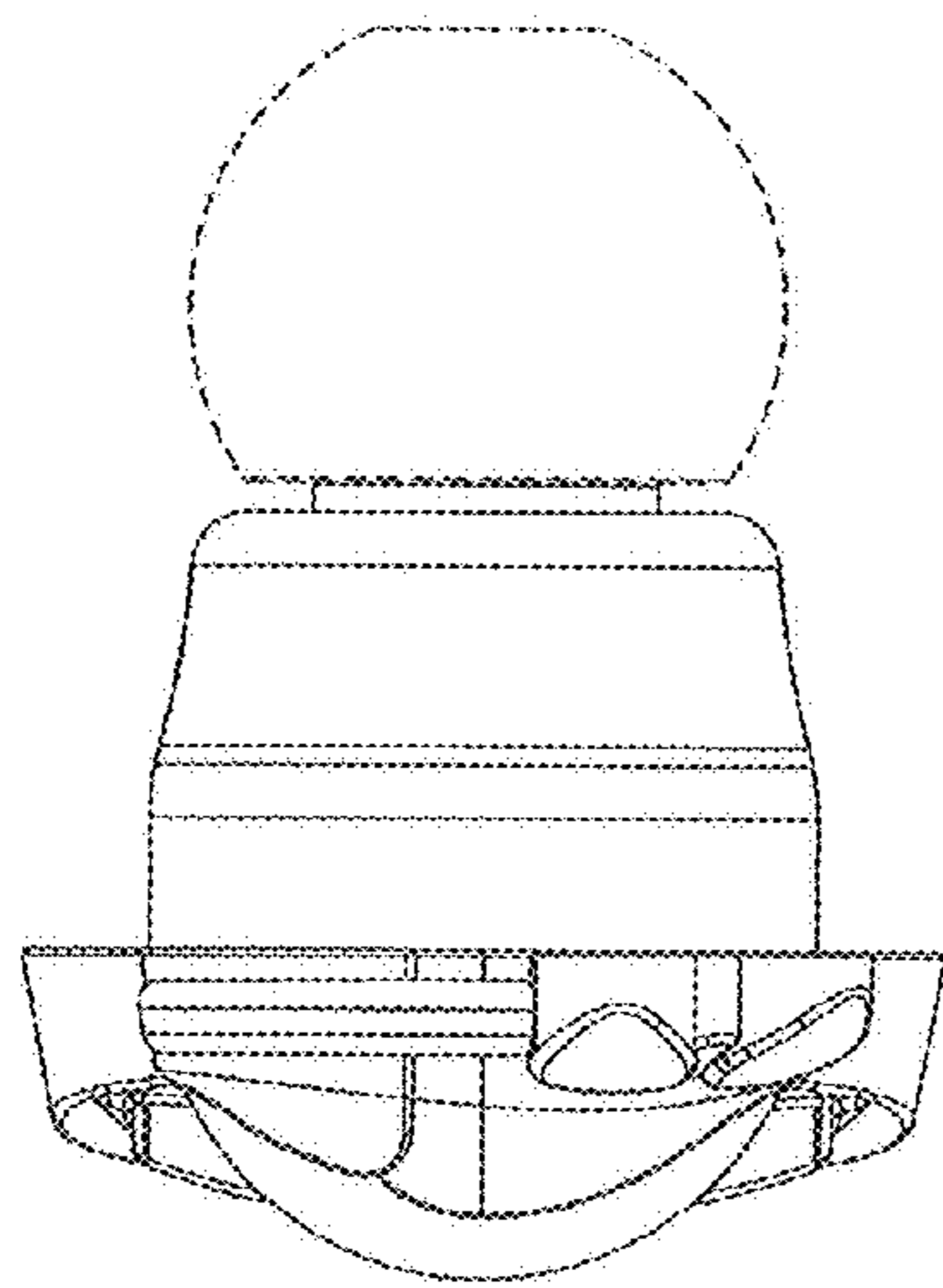


Figure 15

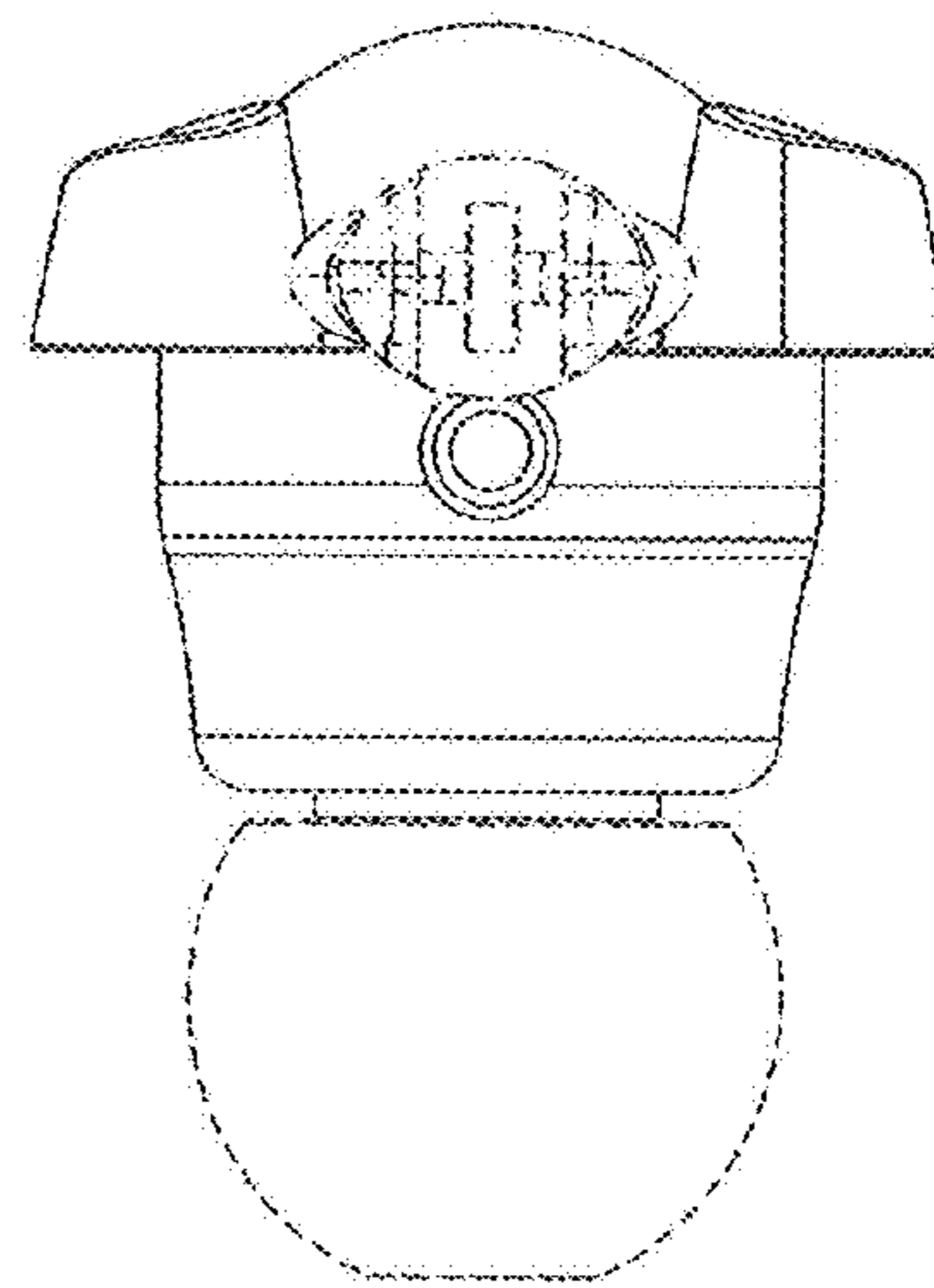


Figure 16