



US00D653240S

(12) **United States Design Patent**  
**Wakata**

(10) **Patent No.:** **US D653,240 S**  
(45) **Date of Patent:** **\*\* Jan. 31, 2012**

(54) **REMOTE CONTROLLER FOR TELEVISION SET**

(75) Inventor: **Kuniharu Wakata**, Osaka (JP)

(73) Assignee: **Sharp Kabushiki Kaisha**, Osaka (JP)

(\*\*) Term: **14 Years**

(21) Appl. No.: **29/389,895**

(22) Filed: **Apr. 18, 2011**

(30) **Foreign Application Priority Data**

Oct. 19, 2010 (JP) ..... 2010-024971

(51) **LOC (9) Cl.** ..... **14-03**

(52) **U.S. Cl.** ..... **D14/218**

(58) **Field of Classification Search** ..... D14/218,  
D14/455; D13/168; D21/566; D10/104,  
D10/106; 345/169; 348/14.05, 114, 211.99,  
348/734; 340/825.24; 341/22; 455/92, 95,  
455/128, 151.1–151.4, 352, 355, FOR. 121;  
700/65

See application file for complete search history.

(56) **References Cited**

U.S. PATENT DOCUMENTS

D307,432 S	4/1990	Usami et al.	
D308,346 S	6/1990	Nakagawa et al.	
D342,258 S	12/1993	Saito et al.	
D342,260 S	12/1993	Sakata	
D352,717 S	11/1994	Usami et al.	
D353,596 S	12/1994	Usami et al.	
D365,100 S *	12/1995	Farinelli et al. ....	D14/218
D380,473 S	7/1997	Otani	
D381,992 S *	8/1997	Nakamura et al. ....	D14/218
D394,264 S	5/1998	Sakamoto et al.	
D436,588 S *	1/2001	Nakayama et al. ....	D14/218
D458,920 S	6/2002	Kita	

D459,341 S	6/2002	Saeki et al.	
D517,532 S *	3/2006	Chen .....	D14/218
D524,296 S	7/2006	Kita	
D561,178 S *	2/2008	Azuma .....	D14/218
D565,555 S *	4/2008	Goto .....	D14/218
D567,804 S *	4/2008	Yan .....	D14/218
D578,515 S *	10/2008	Ikeda et al. ....	D14/218
D594,850 S *	6/2009	Yan .....	D14/218
D597,533 S *	8/2009	Kumagai et al. ....	D14/218
D614,607 S *	4/2010	Kamegi .....	D14/218
D631,036 S *	1/2011	Daniels .....	D14/218
D644,630 S *	9/2011	Harden et al. ....	D14/218
2003/0095048 A1 *	5/2003	Choi et al. ....	340/825.69

\* cited by examiner

*Primary Examiner* — Celia A. Murphy

*Assistant Examiner* — John Windmuller

(74) *Attorney, Agent, or Firm* — Nixon & Vanderhye, P.C.

(57) **CLAIM**

The ornamental design for “remote controller for television set,” as shown and described.

**DESCRIPTION**

FIG. 1 is a top, right, rear perspective view of the remote controller for television set in accordance with my new design;

FIG. 2 is a front plan view thereof;

FIG. 3 is a rear plan view thereof;

FIG. 4 is a top plan view thereof;

FIG. 5 is a bottom plan view thereof;

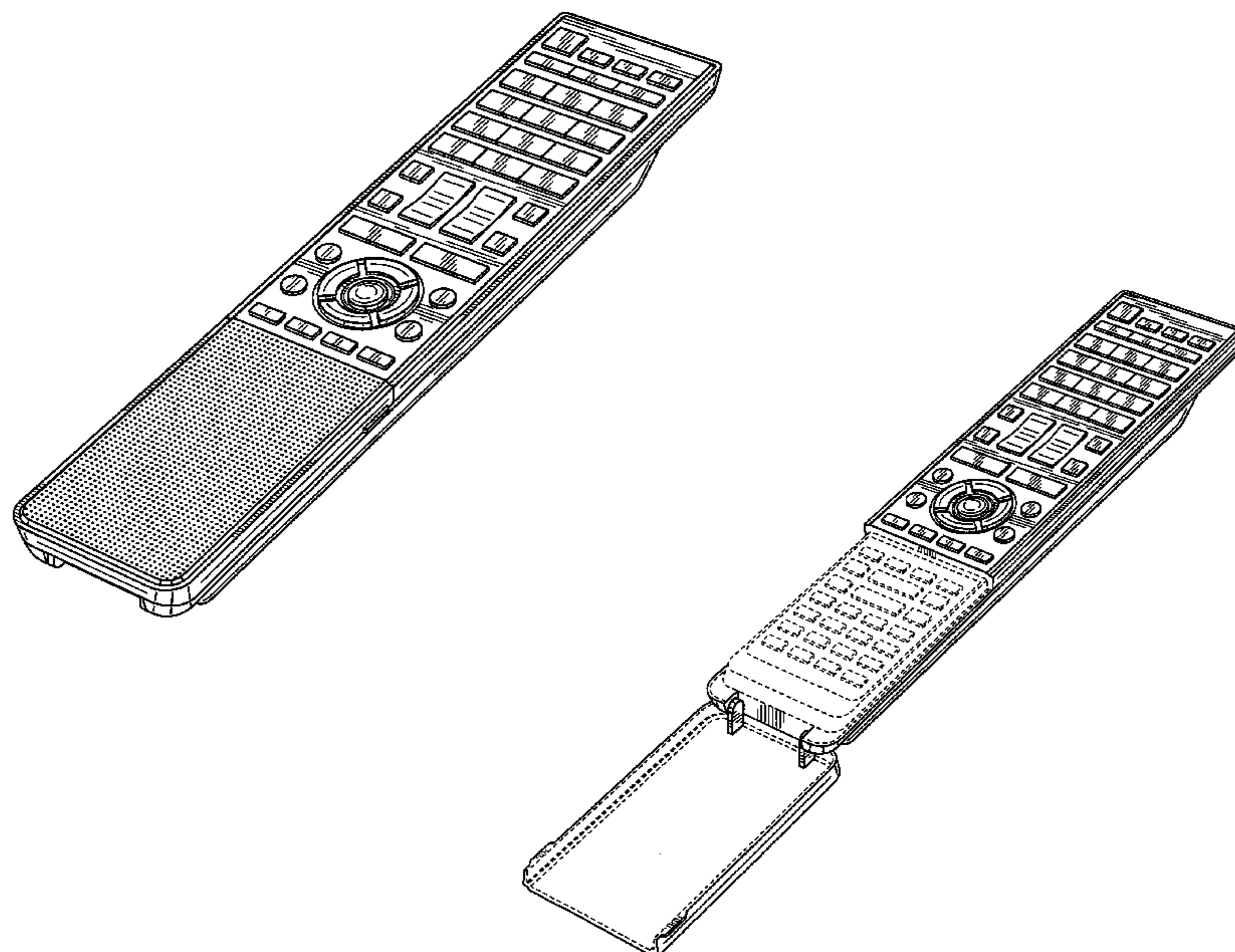
FIG. 6 is a right side elevation view thereof;

FIG. 7 is a left side elevation view thereof; and,

FIG. 8 is a right, top, rear perspective view similar to FIG. 1 but with a cover portion of the remote controller shown in the open position.

The features shown in broken lines are environment only and form no part of the claimed design.

**1 Claim, 5 Drawing Sheets**



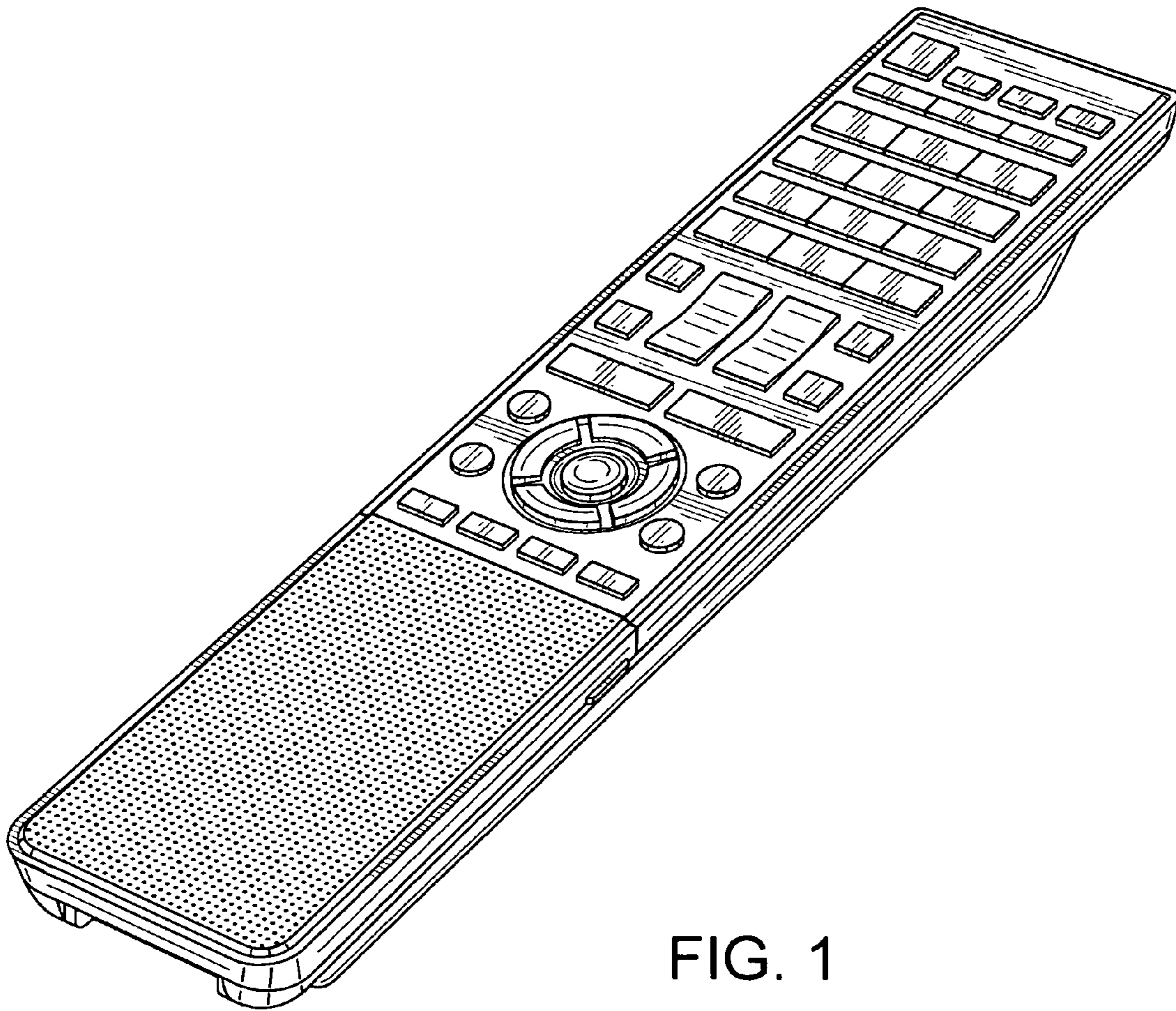


FIG. 1

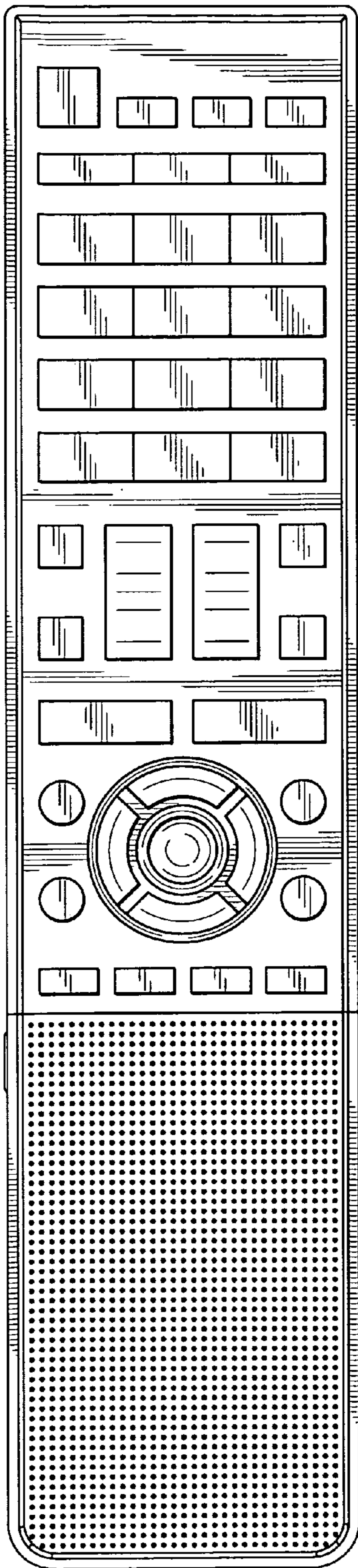


FIG. 2

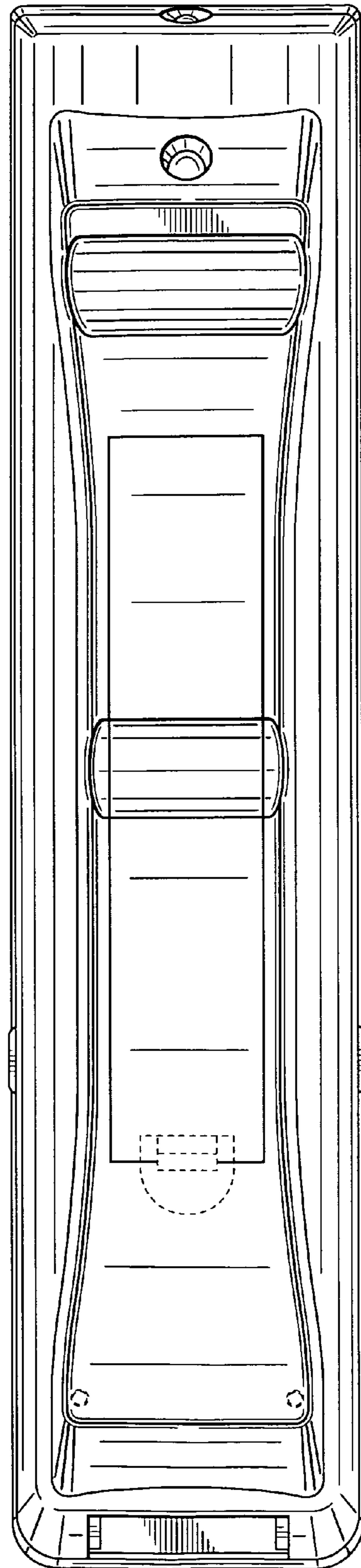


FIG. 3

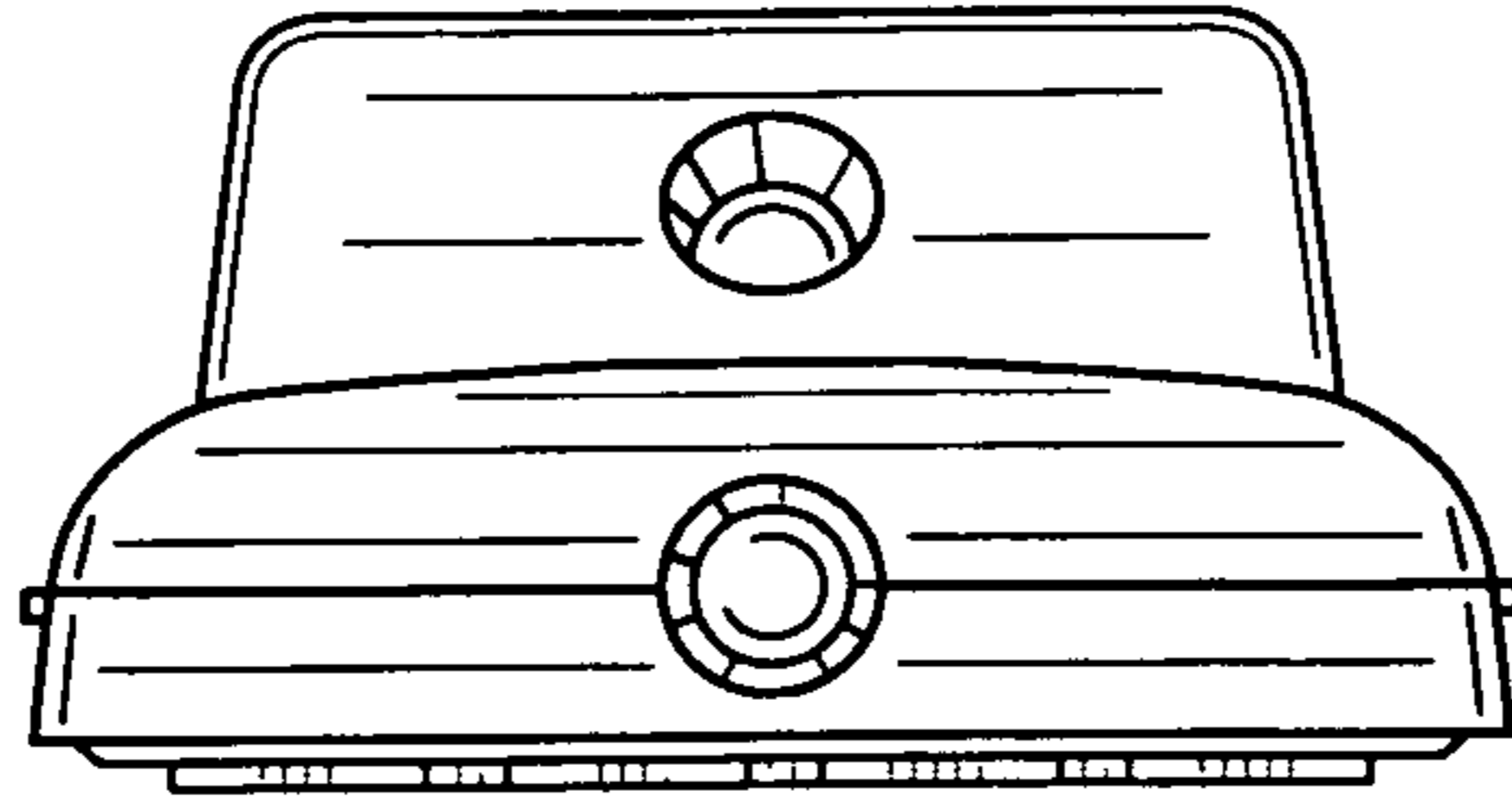


FIG. 4

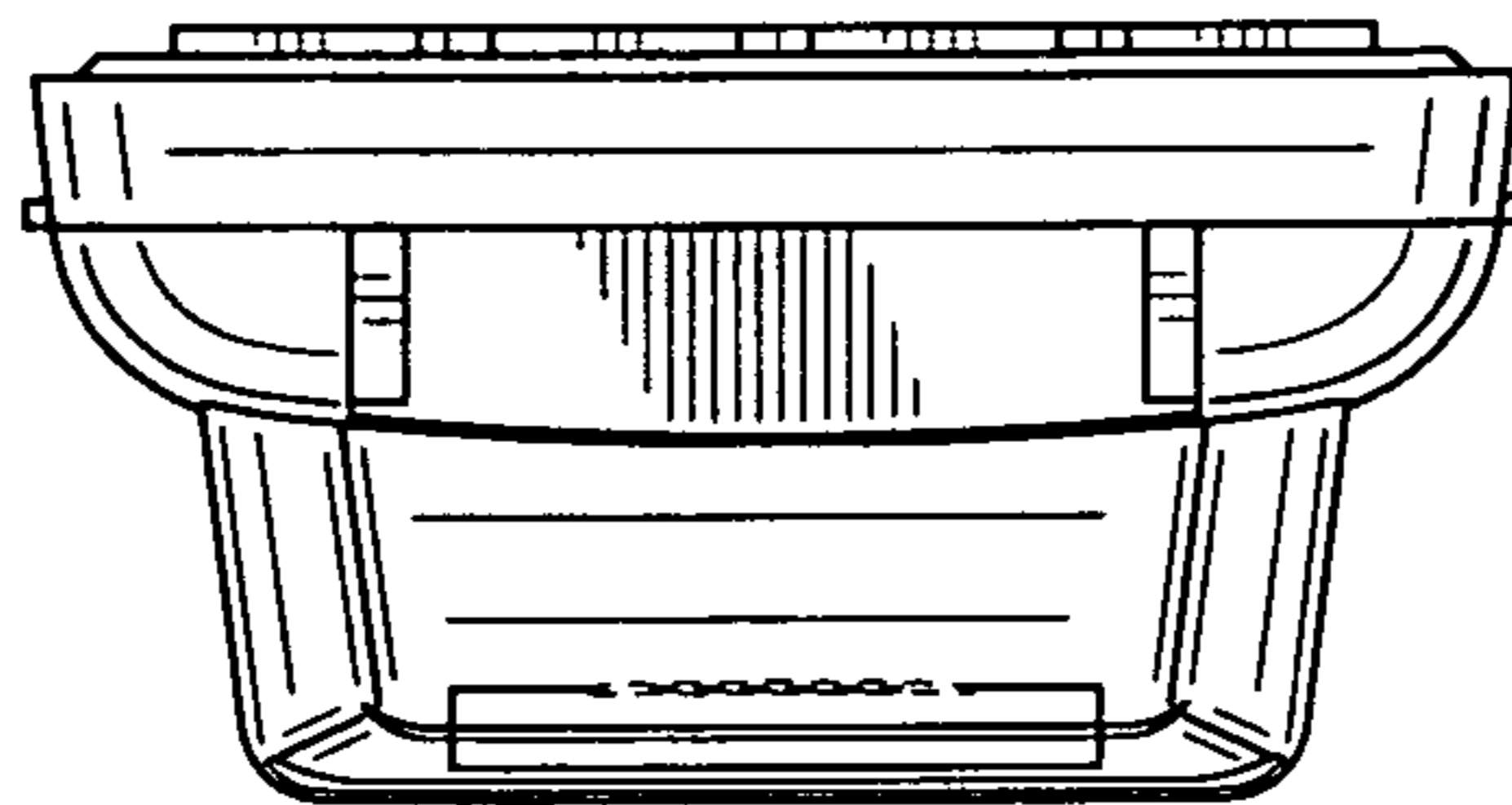


FIG. 5

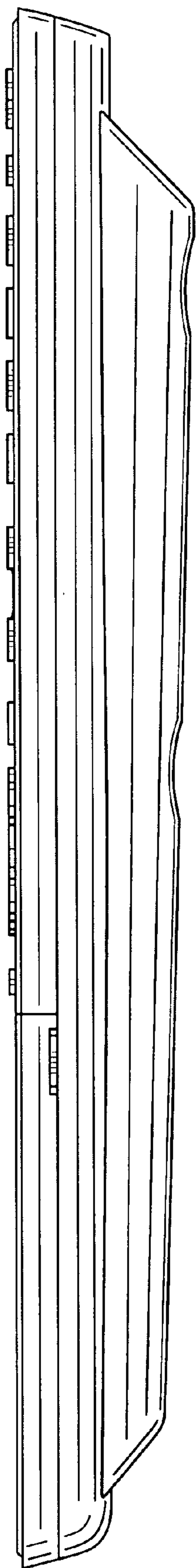


FIG. 6

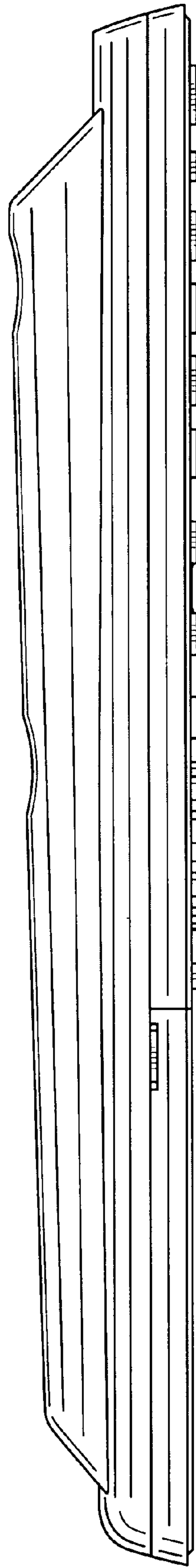


FIG. 7

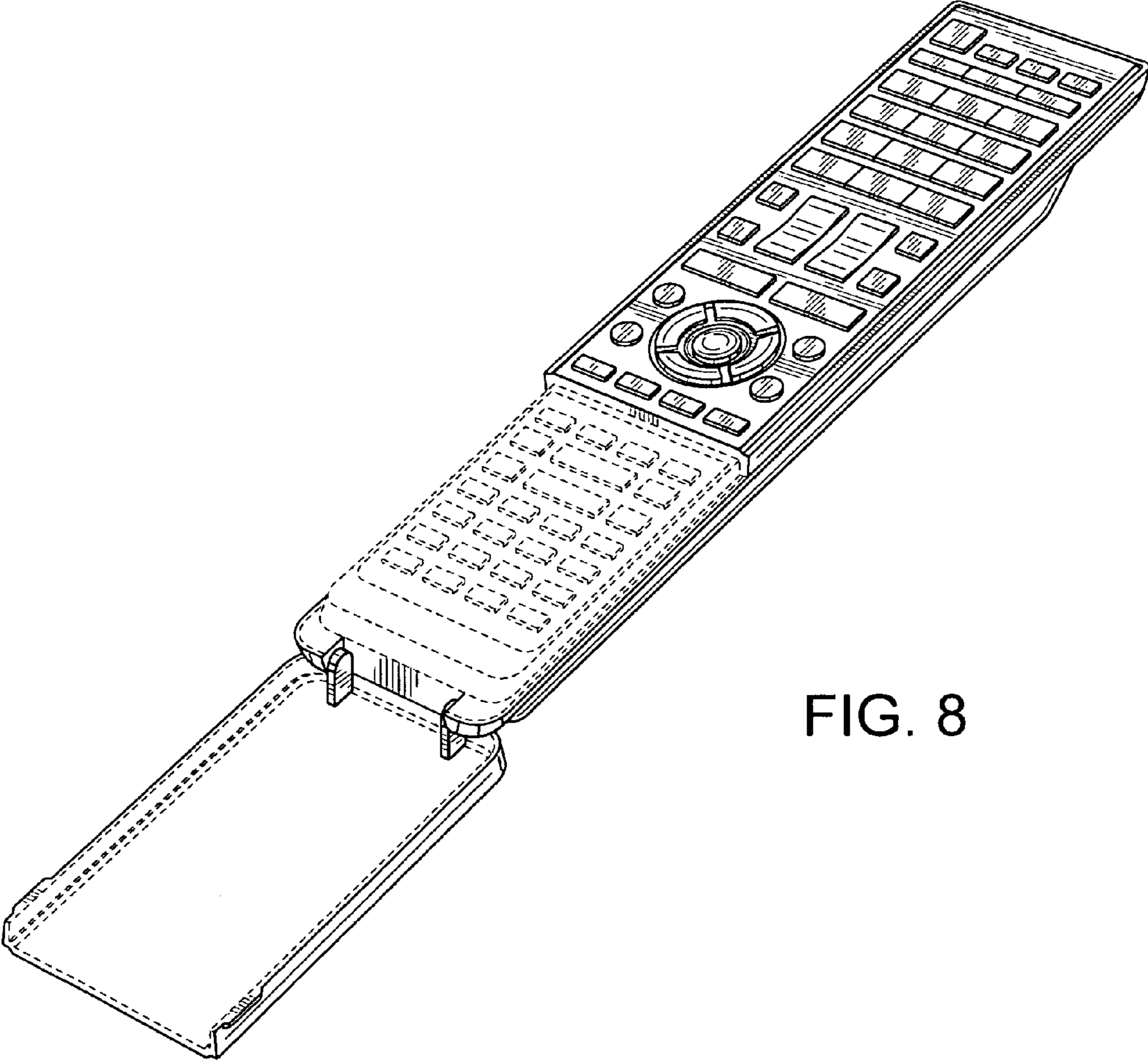


FIG. 8