



US00D653239S

(12) **United States Design Patent**
Kim et al.

(10) **Patent No.:** **US D653,239 S**
(45) **Date of Patent:** **** Jan. 31, 2012**

(54) **HOME THEATER SPEAKER**

(75) Inventors: **Younsoo Kim**, Seoul (KR); **Yuonui Chong**, Seoul (KR)

(73) Assignee: **LG Electronics Inc.**, Seoul (KR)

(**) Term: **14 Years**

(21) Appl. No.: **29/381,100**

(22) Filed: **Dec. 15, 2010**

(30) **Foreign Application Priority Data**

Jun. 16, 2010 (KR) 30-2010-0026601

(51) **LOC (9) Cl.** **14-01**

(52) **U.S. Cl.** **D14/215**

(58) **Field of Classification Search** D14/204,
D14/210-216, 172; 181/143-144, 147-148,
181/150-153, 157, 198-199; 381/300-303,
381/306, 332-333, 336, 345, 361-364, 386-388

See application file for complete search history.

(56) **References Cited**

U.S. PATENT DOCUMENTS

D472,542 S *	4/2003	Oikawa	D14/172
D486,475 S *	2/2004	Allen	D14/215
D535,976 S *	1/2007	Ng et al.	D14/214
D578,997 S *	10/2008	Takuma	D14/172

* cited by examiner

Primary Examiner — Nanda Bondade

(74) *Attorney, Agent, or Firm* — Birch, Stewart, Kolasch & Birch, LLP

(57) **CLAIM**

The ornamental design for a home theater speaker, as shown and described.

DESCRIPTION

FIG. 1 is a top, front, perspective view of a home theater speaker showing our new design; FIG. 2 is a front view thereof; FIG. 3 is a rear view thereof; FIG. 4 is a left side view thereof; FIG. 5 is a right side view thereof; FIG. 6 is a top view thereof; and, FIG. 7 is a bottom view thereof. The broken lines are included for the purpose of illustrating the unclaimed portions of the article and form no part of the claimed design.

1 Claim, 6 Drawing Sheets

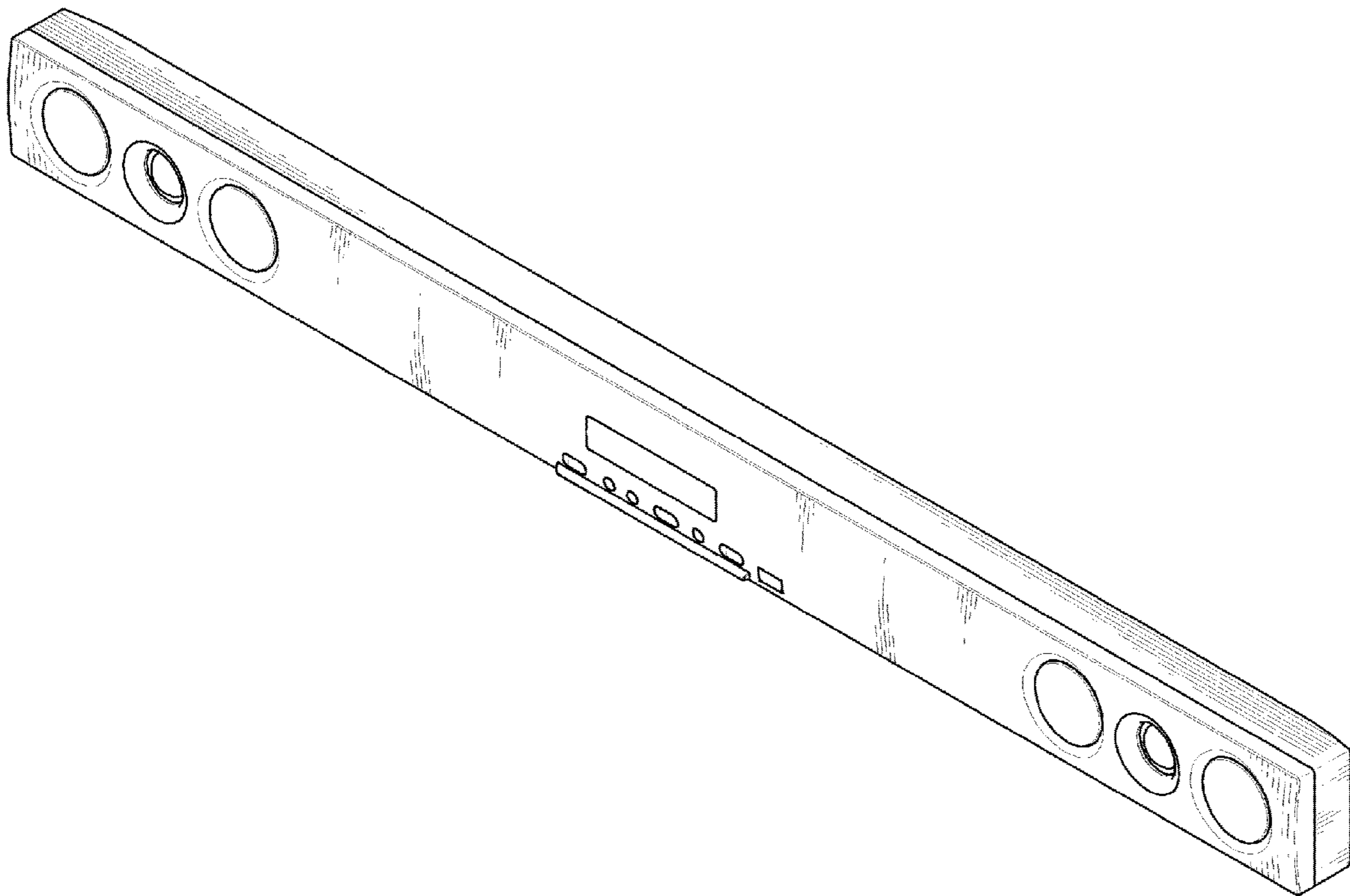


FIG. 1

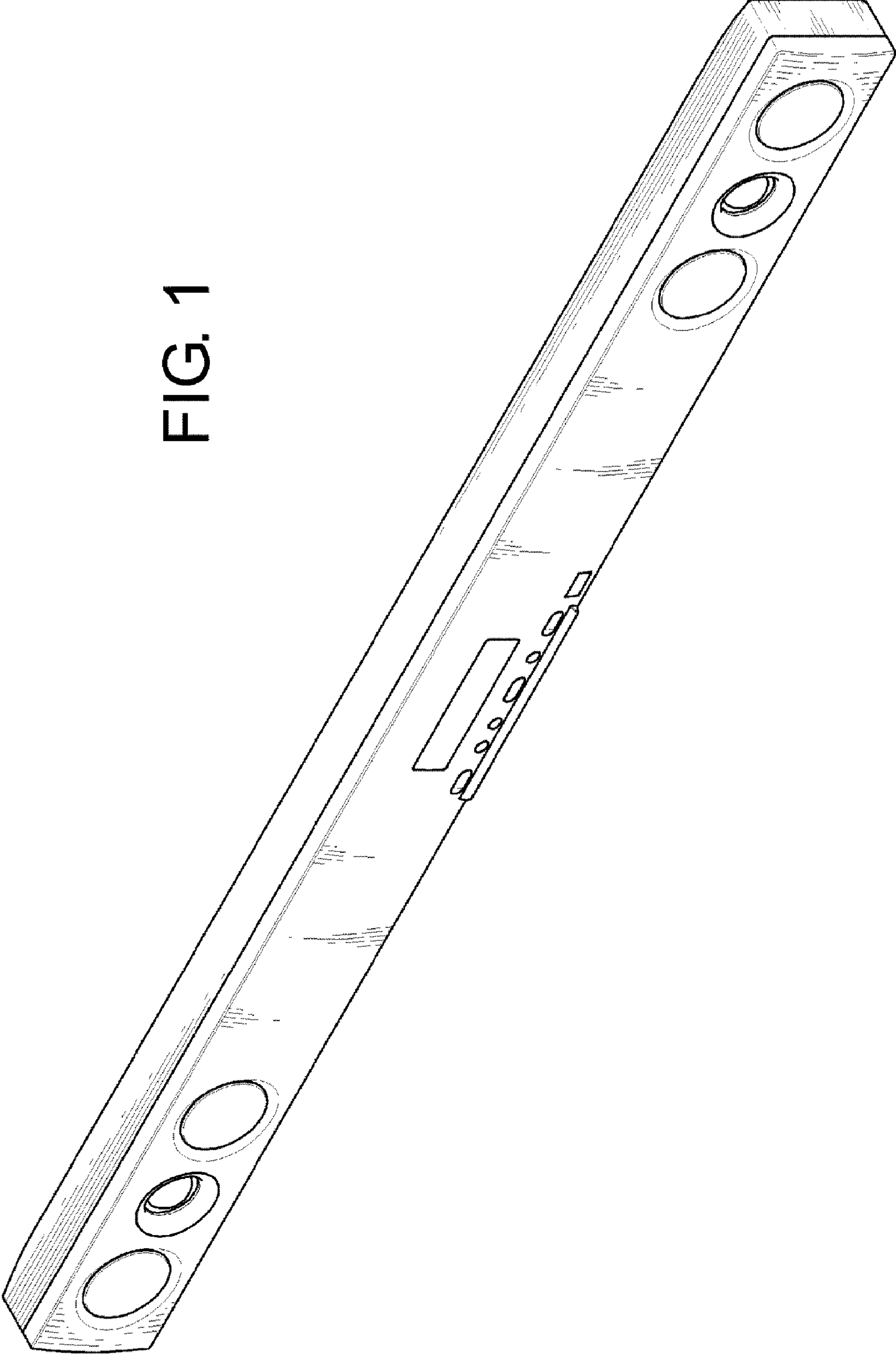


FIG. 2

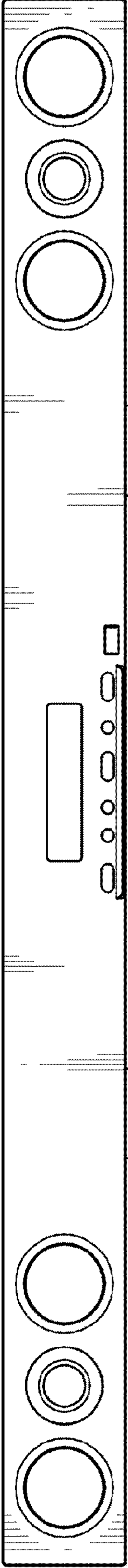


FIG. 3

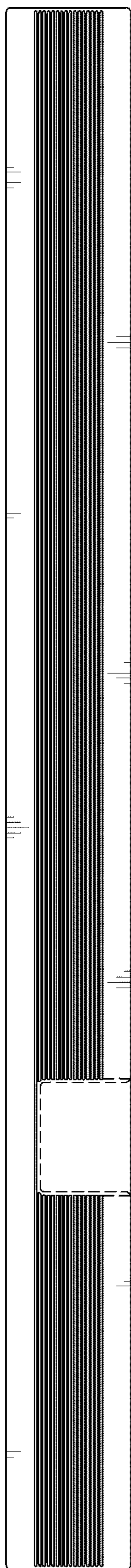


FIG. 4

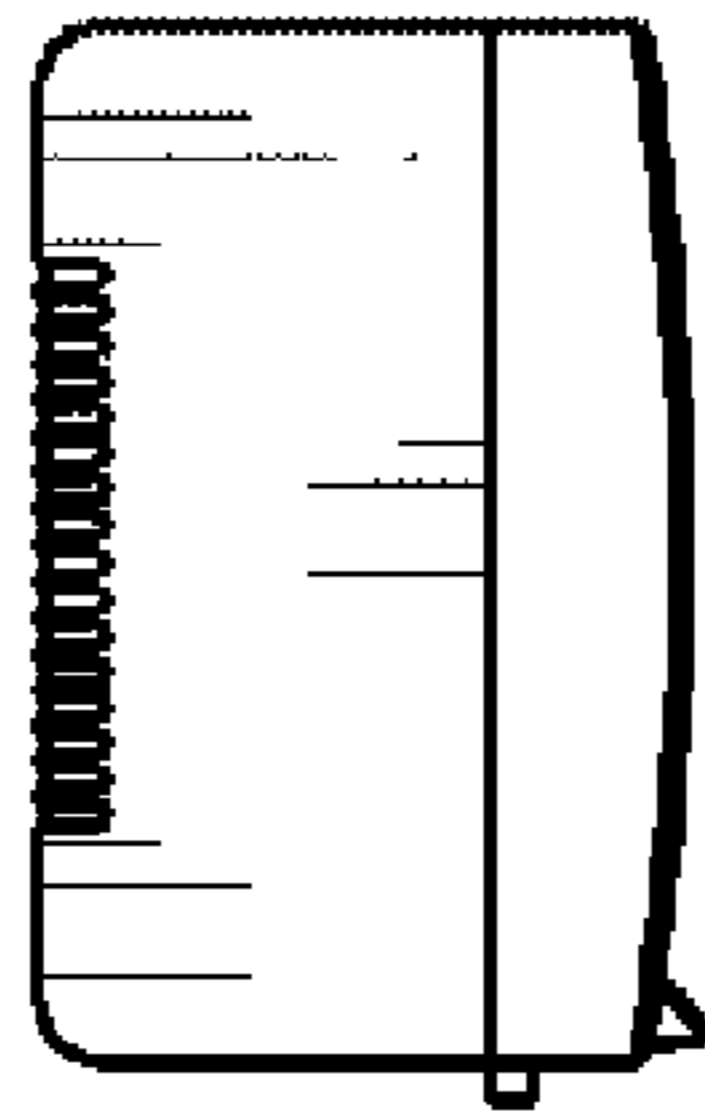


FIG. 5

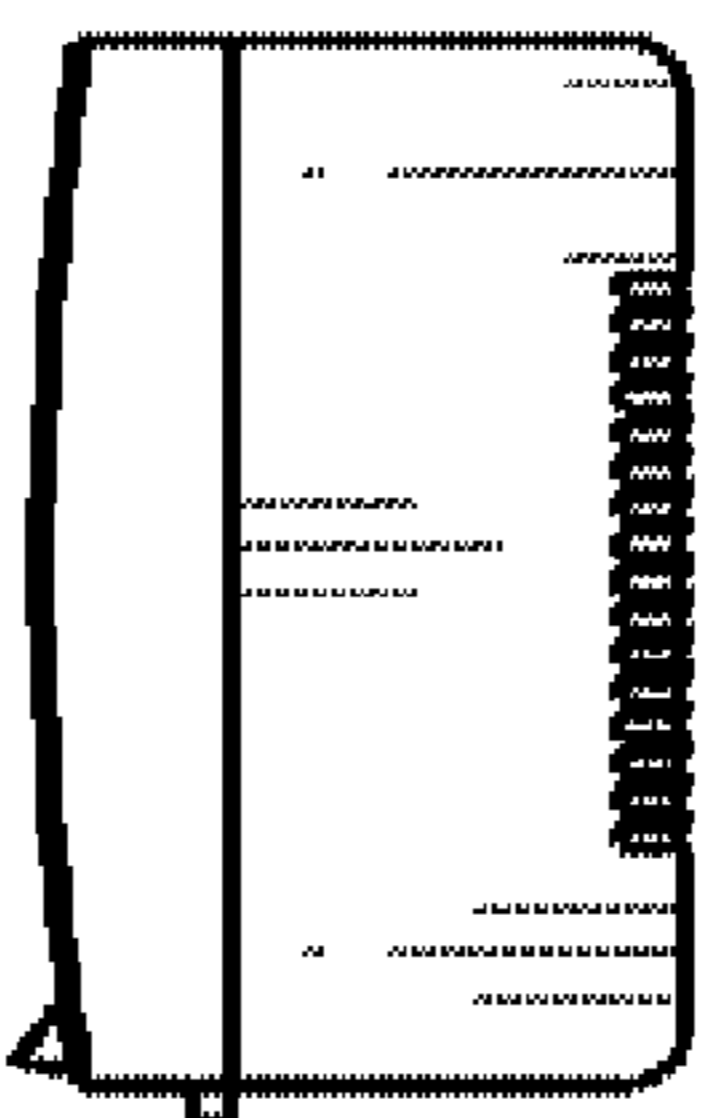


FIG. 6

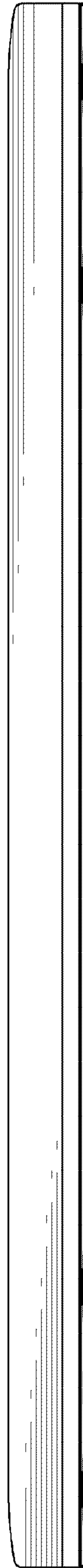


FIG. 7

