



US00D653238S

(12) **United States Design Patent**
Cheng

(10) **Patent No.:** **US D653,238 S**

(45) **Date of Patent:** **** Jan. 31, 2012**

(54) **PORTABLE LOUDSPEAKER**

(75) Inventor: **Sue Cheng**, Chiayi County (TW)

(73) Assignee: **Mipro Electronics Co., Ltd.**, Chiayi (TW)

(**) Term: **14 Years**

(21) Appl. No.: **29/388,662**

(22) Filed: **Mar. 31, 2011**

(51) **LOC (9) Cl.** **14-01**

(52) **U.S. Cl.** **D14/214**

(58) **Field of Classification Search** D14/204,
D14/210–216, 168, 172; 181/143–144, 147–148,
181/150–153, 157, 198–199; 381/300–303,
381/306, 332–333, 336, 345, 361–364, 386–388;
D26/38–52

See application file for complete search history.

(56) **References Cited**

U.S. PATENT DOCUMENTS

D306,211	S	*	2/1990	Maruyama	D26/38
D390,229	S	*	2/1998	Lee	D14/168
D505,128	S	*	5/2005	Lam	D14/168

* cited by examiner

Primary Examiner — Nanda Bondade

(74) *Attorney, Agent, or Firm* — Dickstein Shapiro LLP

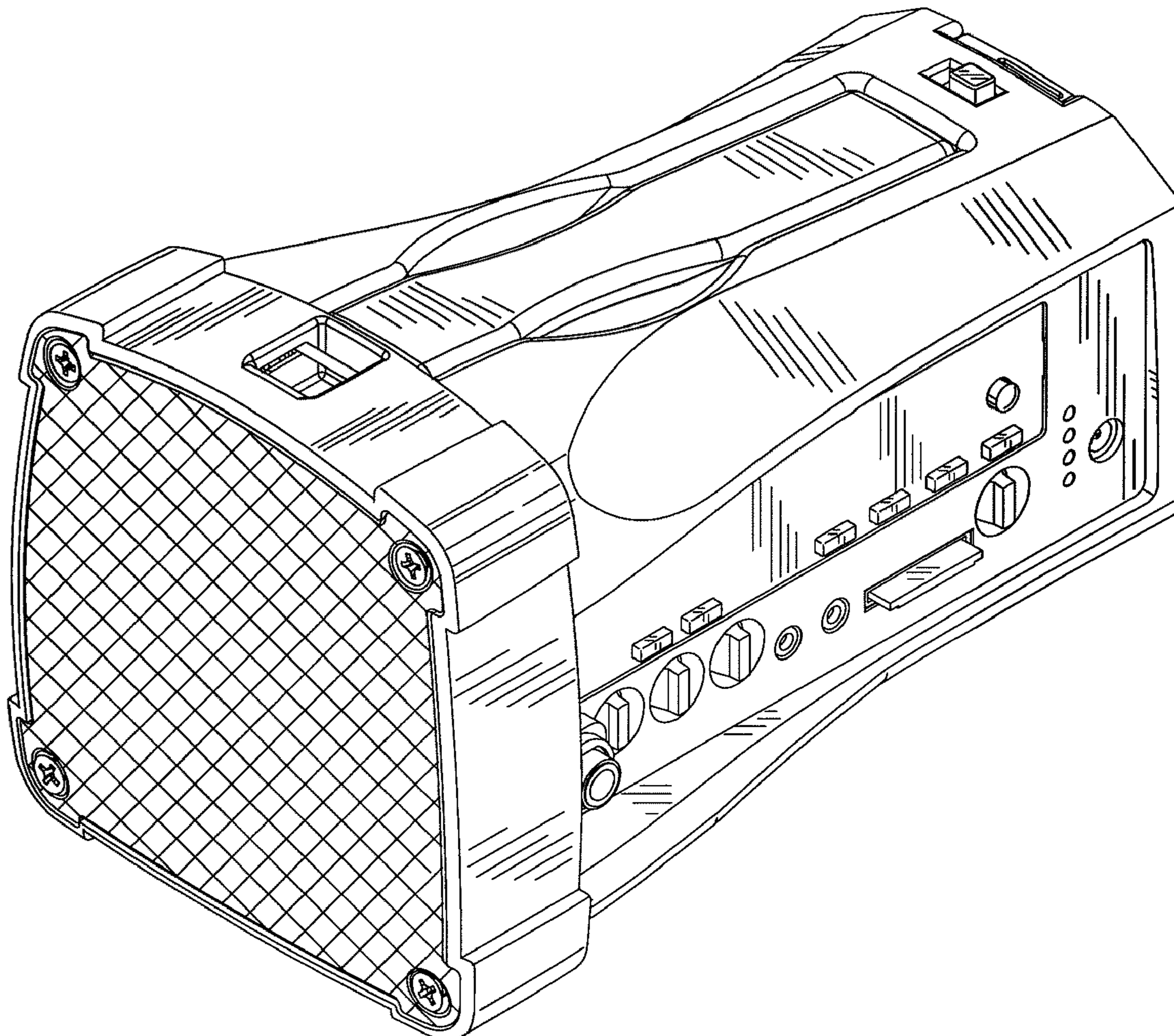
(57) **CLAIM**

The ornamental design for portable loudspeaker, as shown and described.

DESCRIPTION

FIG. 1 is a perspective view of portable loudspeaker showing my new design;
FIG. 2 is a front elevational view thereof;
FIG. 3 is a rear elevational view thereof;
FIG. 4 is a left side elevational view thereof;
FIG. 5 is a right side elevational view thereof;
FIG. 6 is a top plan view thereof; and,
FIG. 7 is a bottom plan view thereof.

1 Claim, 5 Drawing Sheets



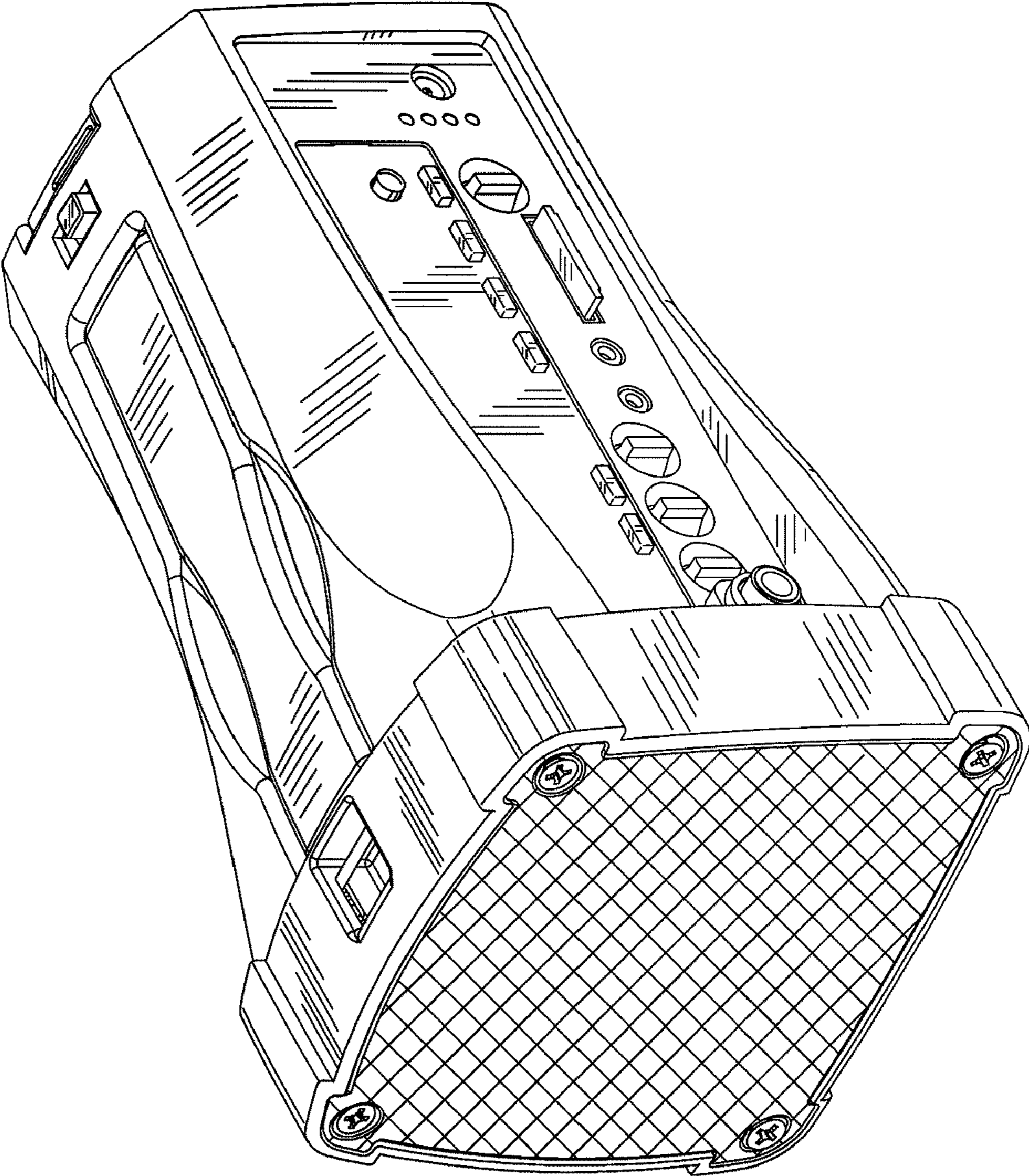


FIG. 1

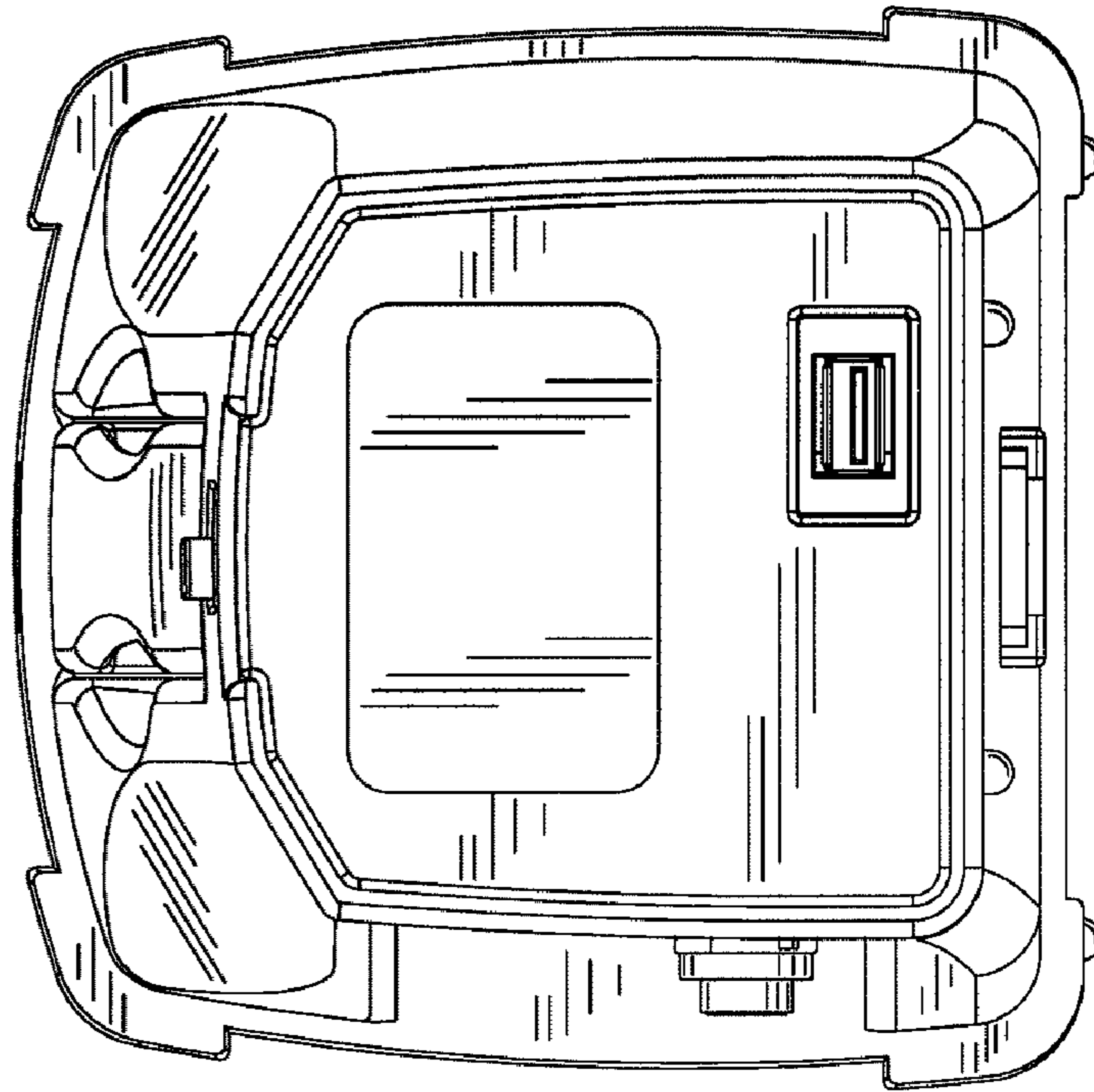


FIG. 3

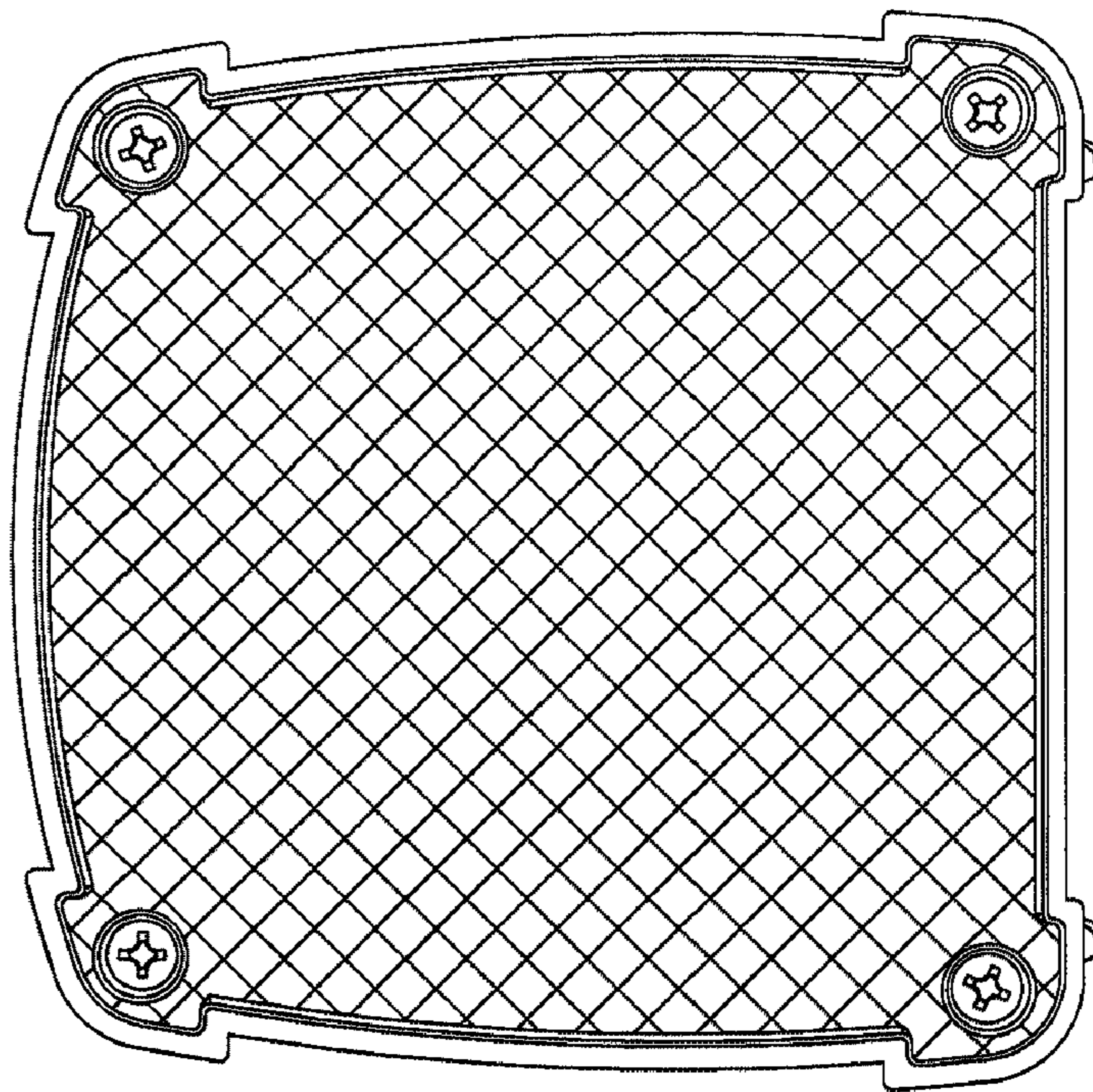


FIG. 2

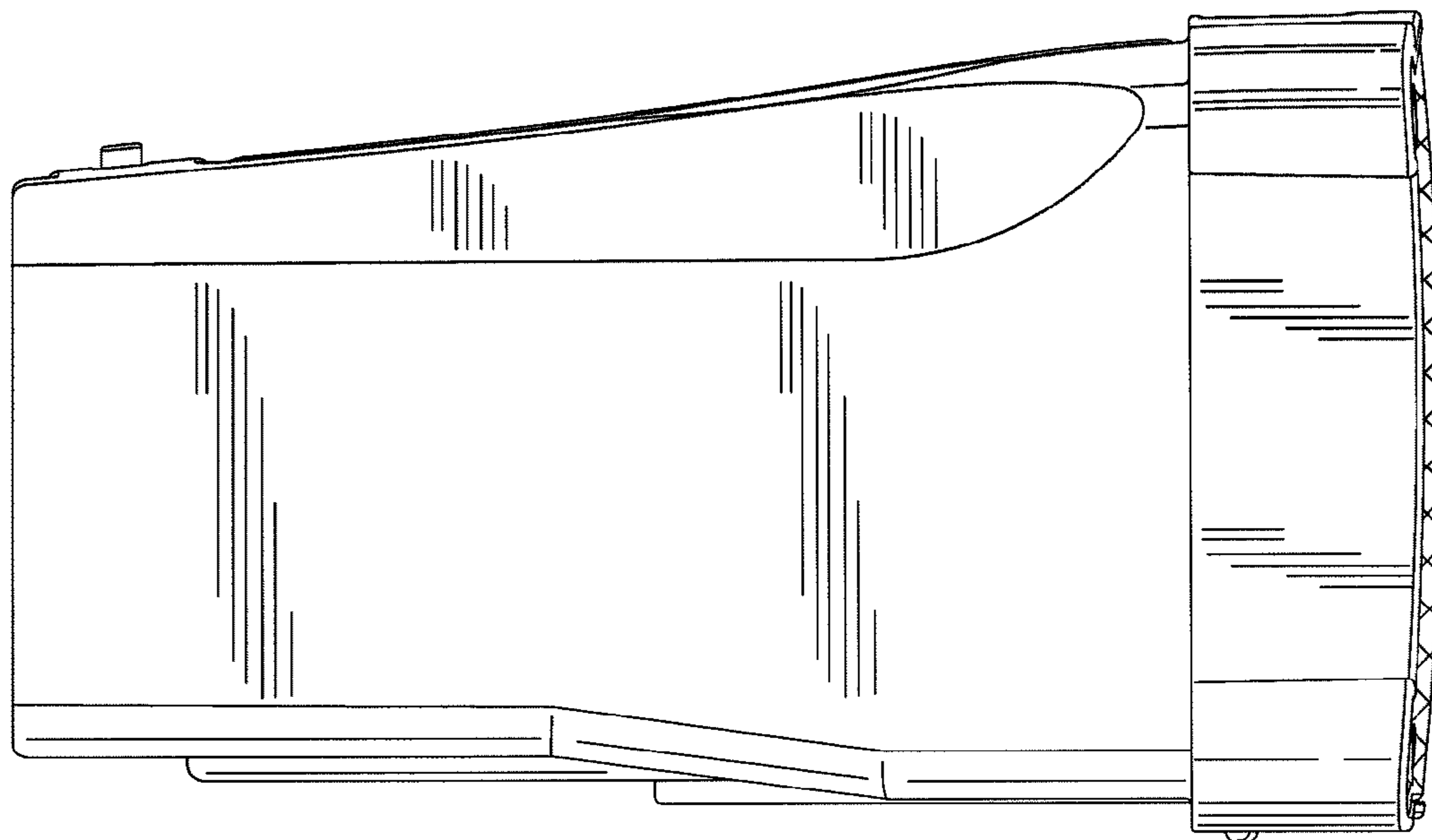


FIG. 4

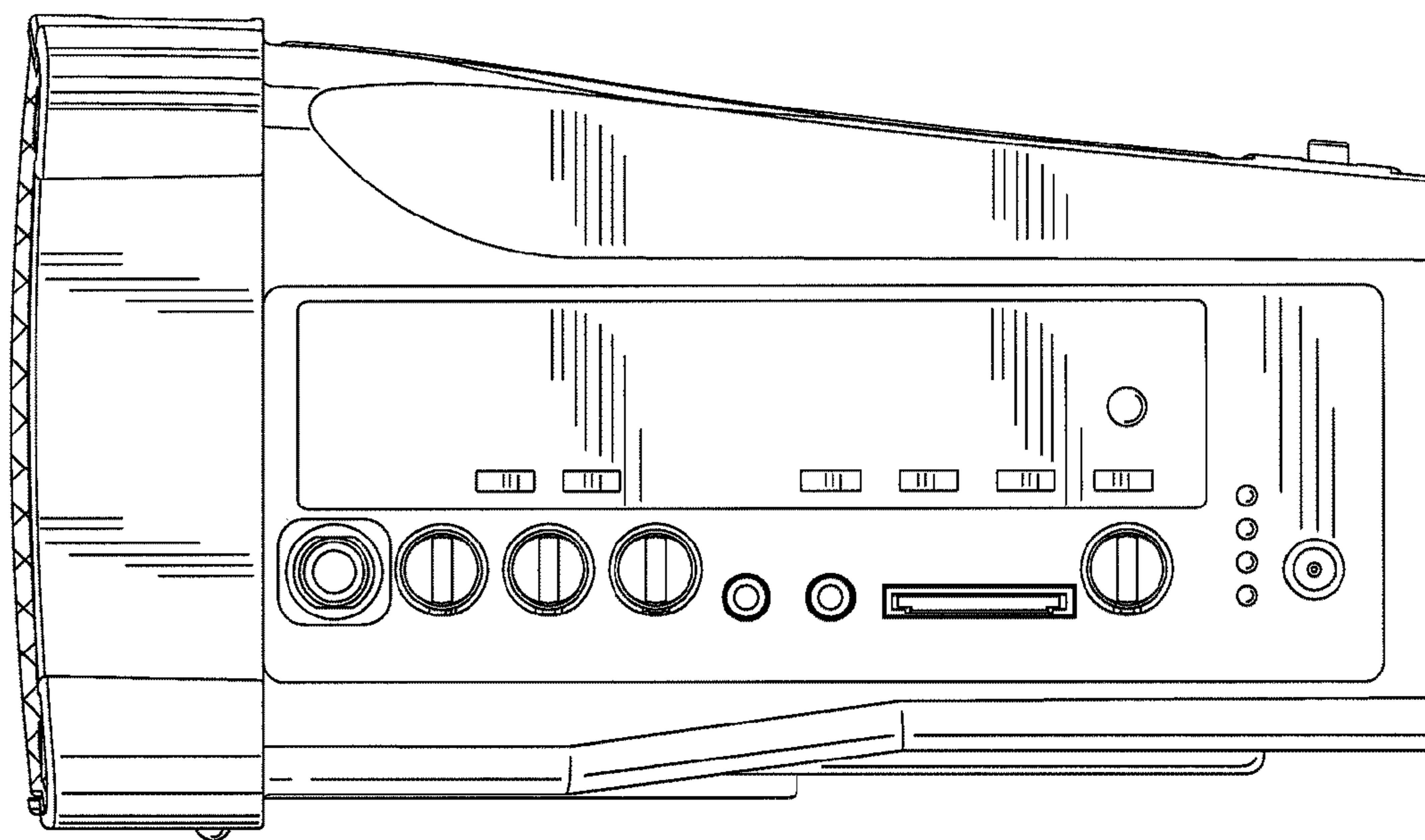


FIG. 5

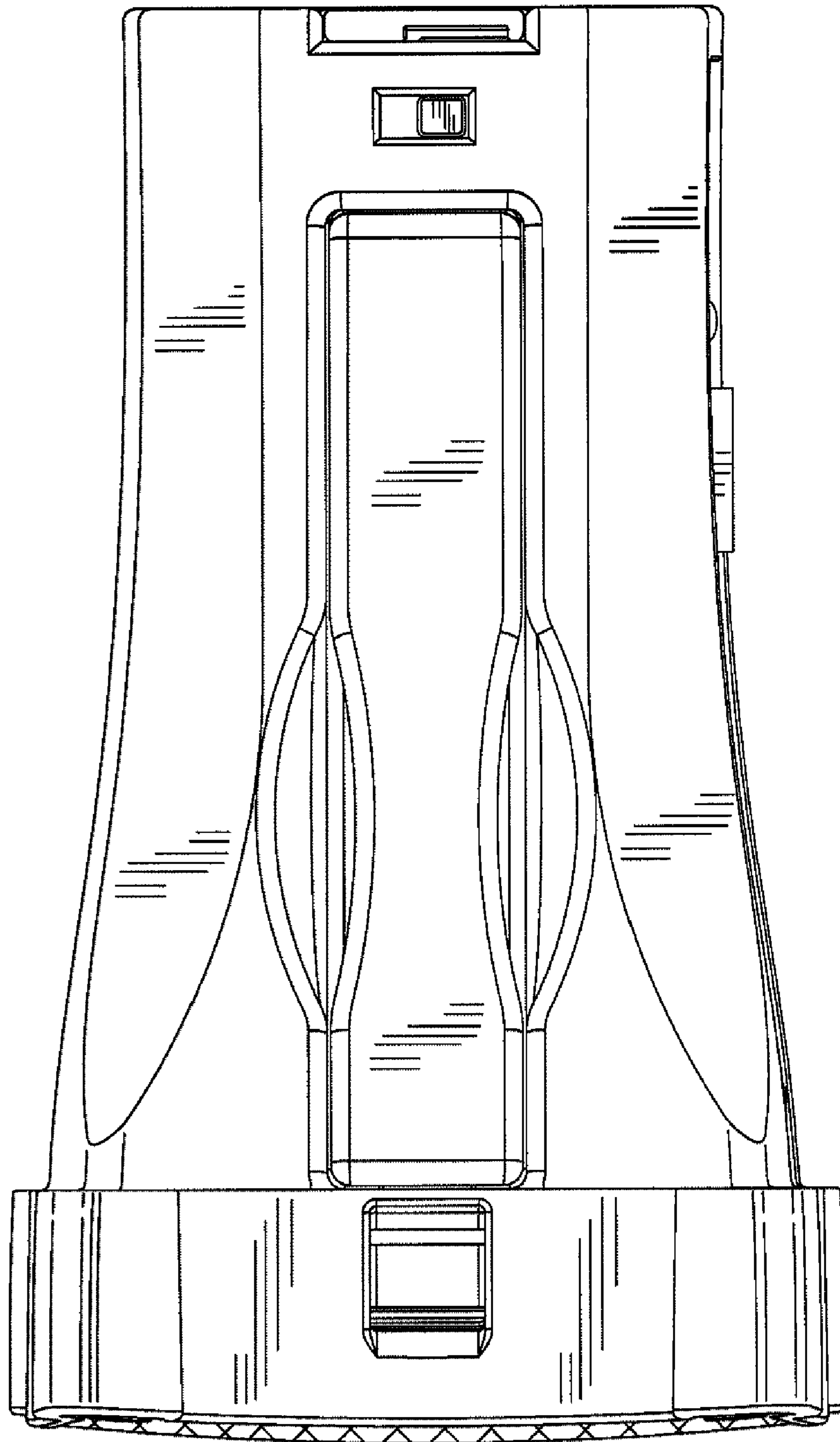


FIG. 6

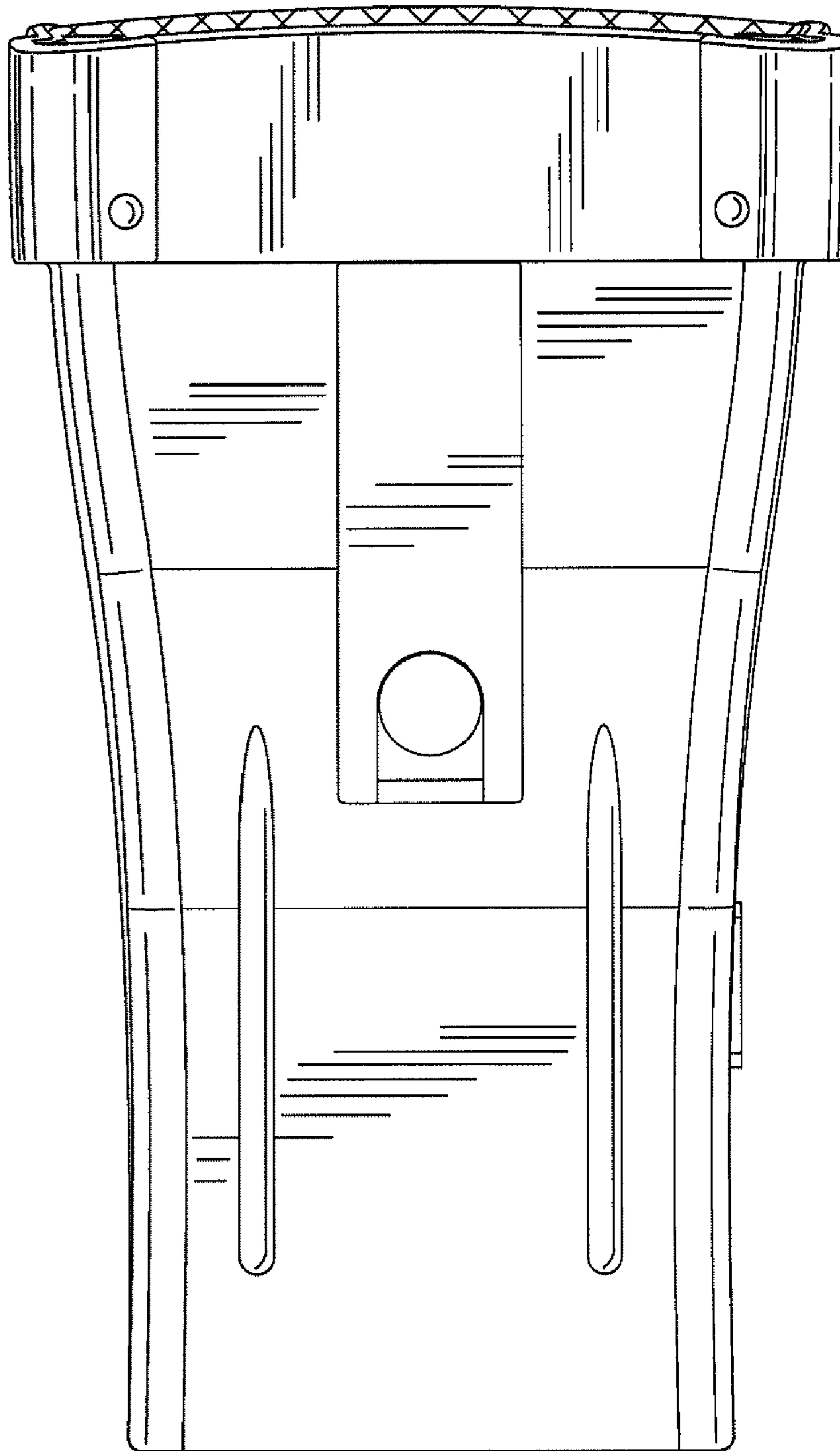


FIG. 7