



US00D653226S

(12) **United States Design Patent**
Nara

(10) **Patent No.:** **US D653,226 S**

(45) **Date of Patent:** **** Jan. 31, 2012**

(54) **MOBILE TELEPHONE**

(75) Inventor: **Katsuhiko Nara**, Tokyo (JP)

(73) Assignee: **Casio Keisanki Kabushiki Kaisha**,
Tokyo (JP)

(**) Term: **14 Years**

(21) Appl. No.: **29/355,929**

(22) Filed: **Feb. 17, 2010**

(30) **Foreign Application Priority Data**

Nov. 13, 2009 (JP) 2009-26631

(51) **LOC (9) Cl.** **14-03**

(52) **U.S. Cl.** **D14/138 AB**

(58) **Field of Classification Search** D14/138 AB,
D14/138 AA, 496, 341, 345, 346, 203.3,
D14/203.4, 203.7, 138 AD, 138 R, 138 G,
D14/218, 191; 455/575.1, 556.2, 575.3,
455/575.4; D21/517, 330; 379/433.01, 433.04,
379/433.11, 433.12, 433.13; D13/168

See application file for complete search history.

(56) **References Cited**

U.S. PATENT DOCUMENTS

D368,702 S *	4/1996	Shimizu	D14/345
D385,299 S *	10/1997	Adams	D14/342
D385,533 S *	10/1997	Adams	D14/327
D399,526 S *	10/1998	Brady	D14/345
D442,953 S *	5/2001	Lassen	D14/345
6,512,497 B1 *	1/2003	Kondo et al.	345/1.1
D493,455 S *	7/2004	Ogasawara	D14/345
D494,968 S *	8/2004	Yonekawa et al.	D14/345
D558,706 S *	1/2008	Salmi	D14/138 G
D576,597 S *	9/2008	Lim et al.	D14/138 AB
7,522,944 B2 *	4/2009	Hyun et al.	455/575.1
D603,363 S *	11/2009	Choi et al.	D14/138 AB
D615,538 S *	5/2010	Huang et al.	D14/315
D624,517 S *	9/2010	Lee et al.	D14/138 AB
D626,124 S *	10/2010	Chyan et al.	D14/341
D628,569 S *	12/2010	Guo	D14/341
D631,455 S *	1/2011	Kim et al.	D14/138 AB
D632,271 S *	2/2011	Arnholt et al.	D14/138 AB

D635,567 S *	4/2011	Rashid et al.	D14/341
D639,806 S *	6/2011	Lee et al.	D14/345
D644,219 S *	8/2011	Sawada	D14/345
2004/0212602 A1 *	10/2004	Nako et al.	345/173
2006/0214919 A1 *	9/2006	Moore et al.	345/173
2010/0149104 A1 *	6/2010	Sim et al.	345/169
2011/0111813 A1 *	5/2011	Yoon	455/575.4

OTHER PUBLICATIONS

Motorola MT710 Zhiling telephone, announced Dec. 2009, [online], [site visited Nov. 5, 2011]. Available from Internet, <URL: <http://www.gsmarena.com>>.*

Motorola Backflip telephone, announced Jan. 2010, [online], [site visited Mar. 25, 2011]. Available from Internet, <URL: <http://www.gsmarena.com>>.*

* cited by examiner

Primary Examiner — Jeffrey D Asch

(74) *Attorney, Agent, or Firm* — Holtz, Holtz, Goodman & Chick, PC

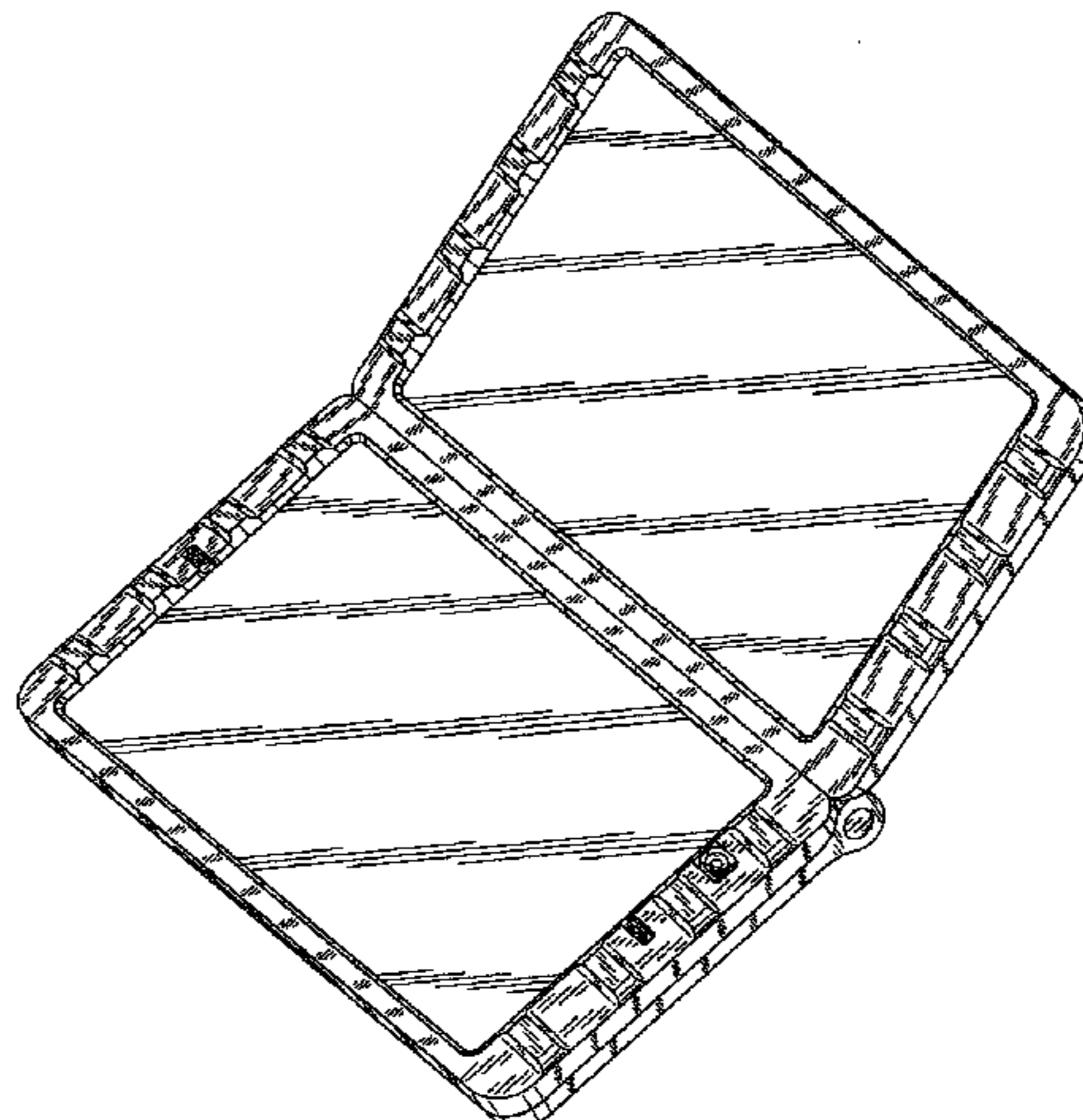
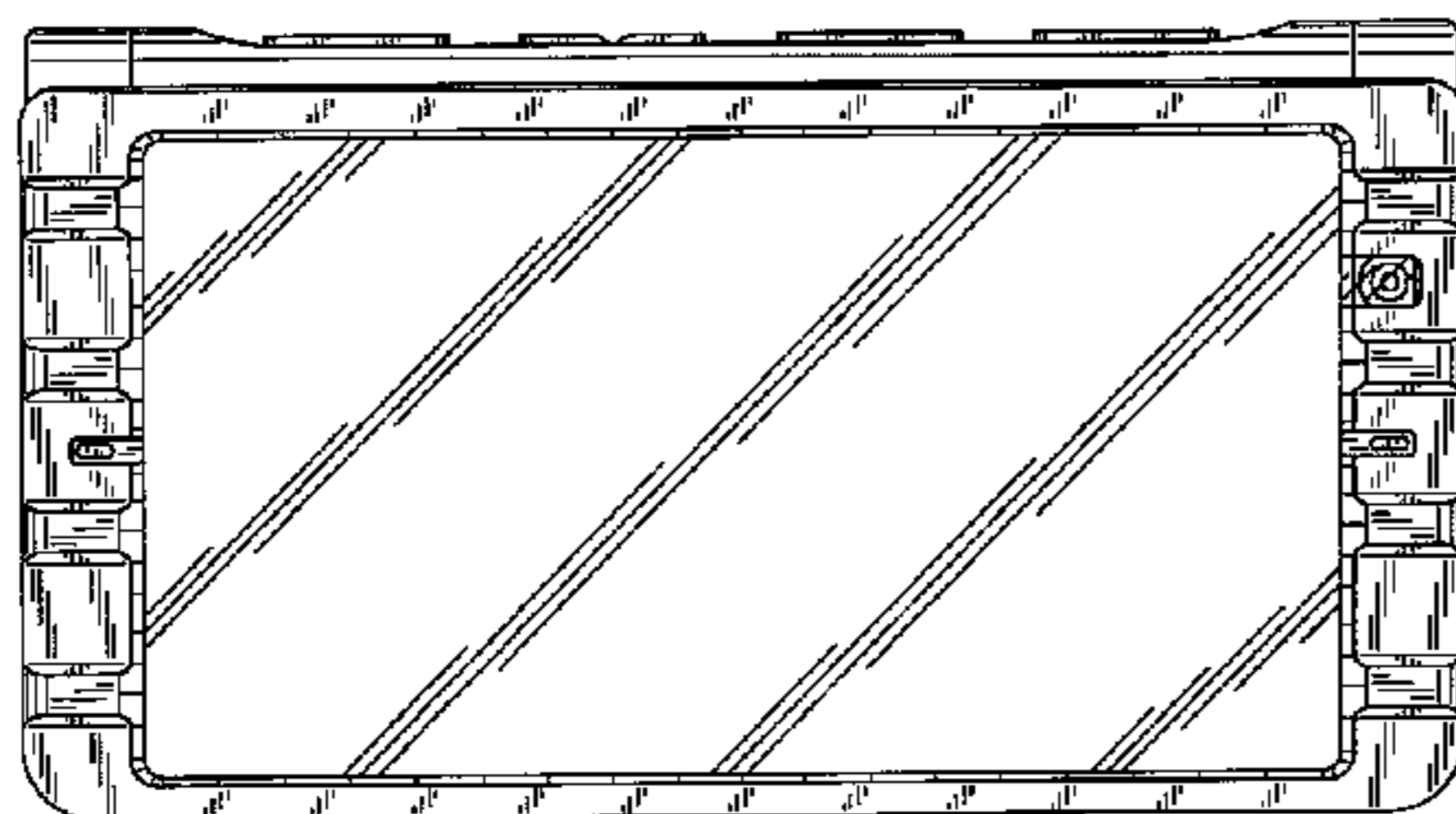
(57) **CLAIM**

The ornamental design for a mobile telephone, as shown and described.

DESCRIPTION

FIG. 1 is a front, bottom perspective view of a mobile telephone showing my new design;
 FIG. 2 is a front elevational view thereof;
 FIG. 3 is a rear elevational view thereof;
 FIG. 4 is a left side view thereof;
 FIG. 5 is a right side view thereof;
 FIG. 6 is a top plan view thereof;
 FIG. 7 is a bottom plan view thereof;
 FIG. 8 is a rear elevational view thereof, in the opened state;
 FIG. 9 is a front, right side, bottom perspective view thereof, in the opened state;
 FIG. 10 is a front, right side, top perspective view thereof, in a partially opened state; and,
 FIG. 11 is a perspective view thereof shown in an environment for use.
 The broken line showing of the environment for use in FIG. 11 is for illustrative purposes only and forms no part of the claimed design.

1 Claim, 8 Drawing Sheets



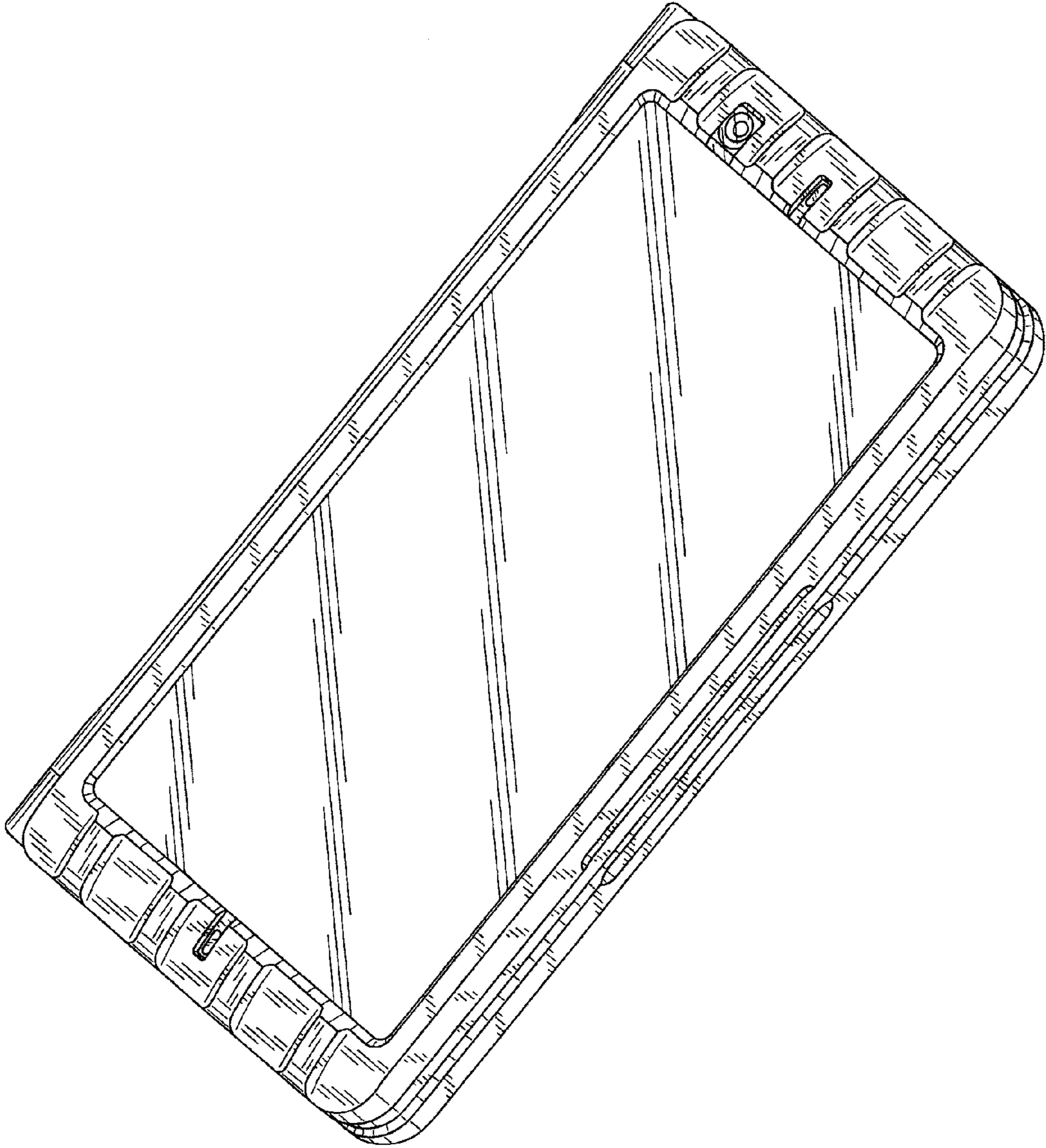


FIG. 1

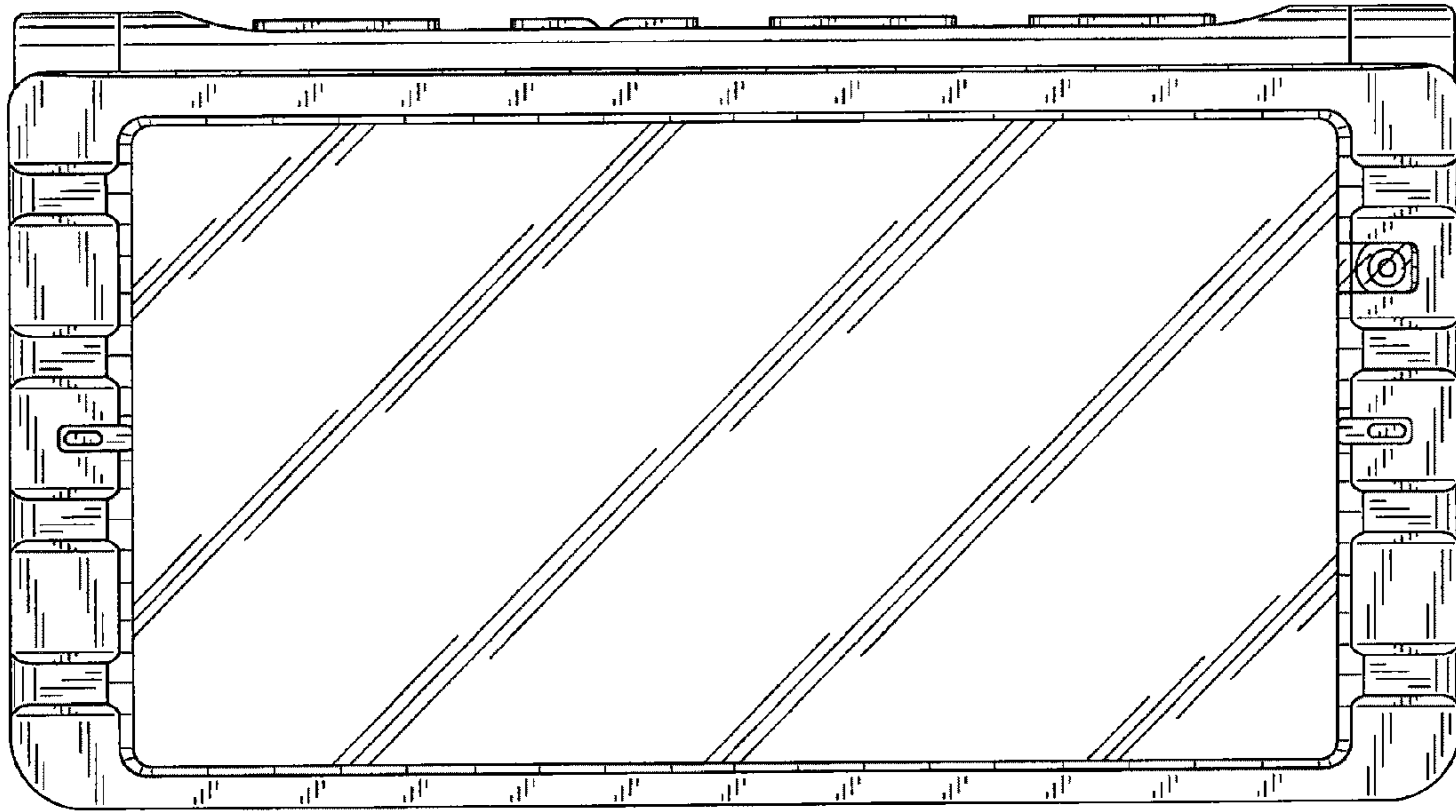


FIG. 2

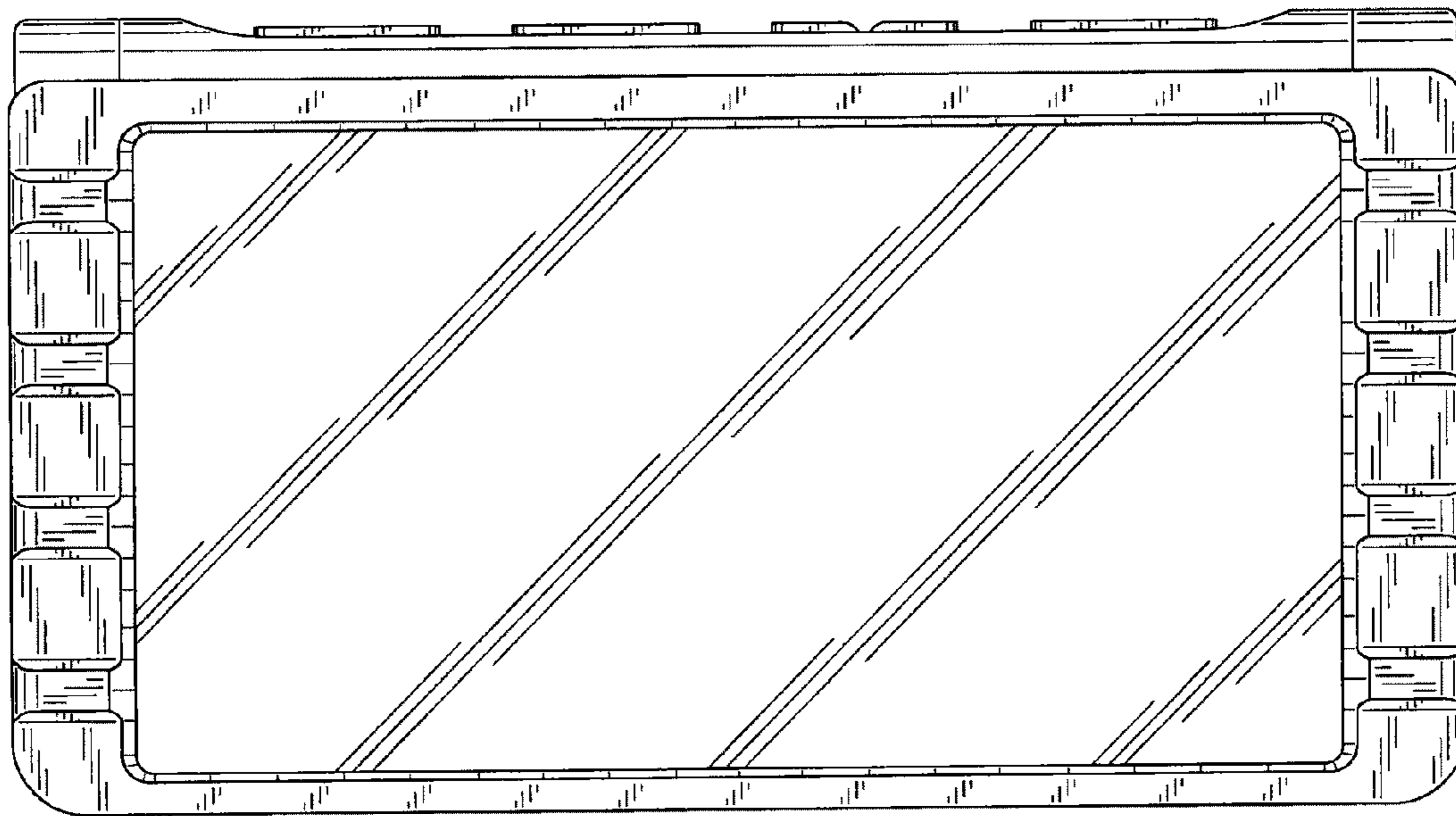


FIG. 3

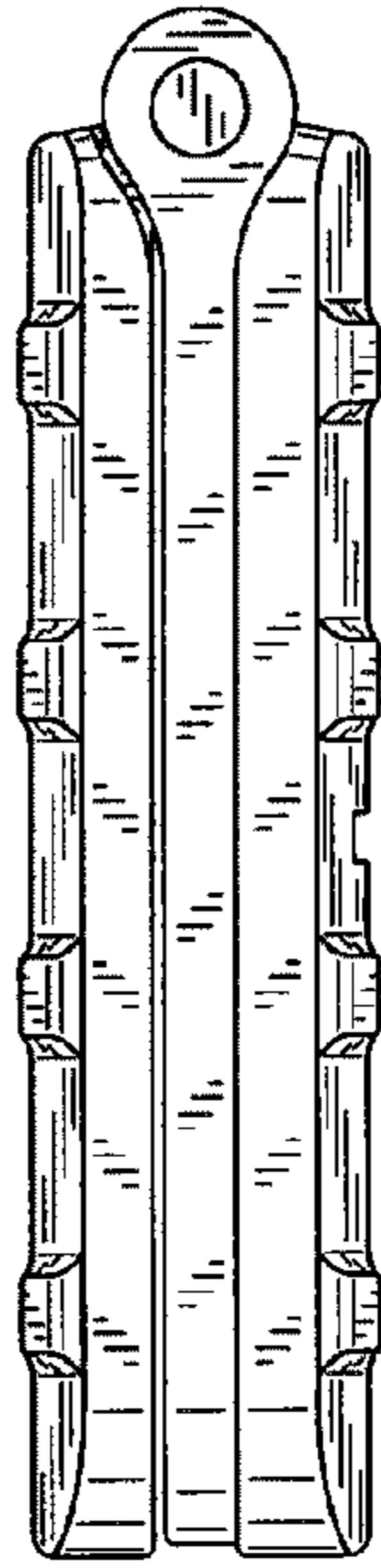


FIG. 4

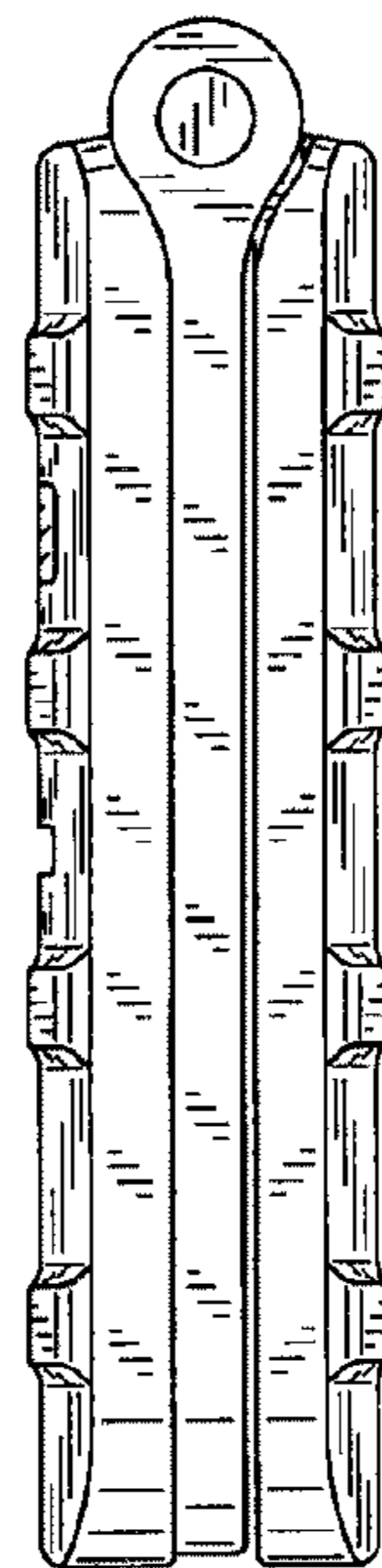


FIG. 5

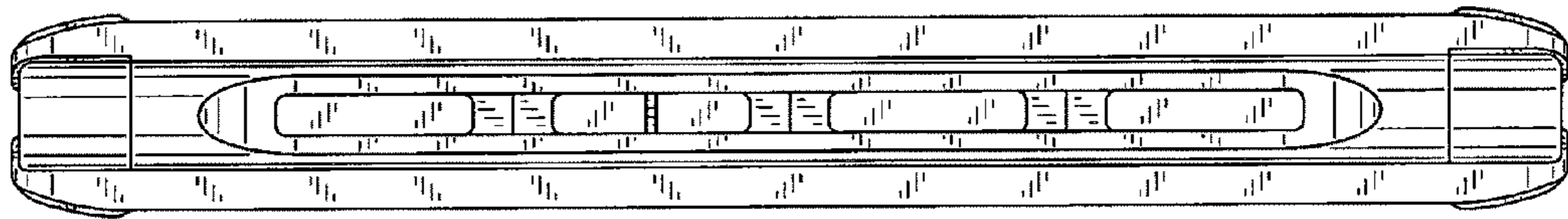


FIG. 6

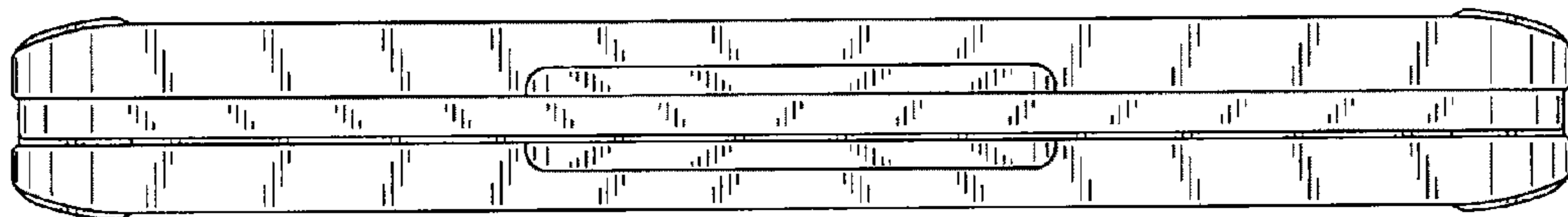


FIG. 7

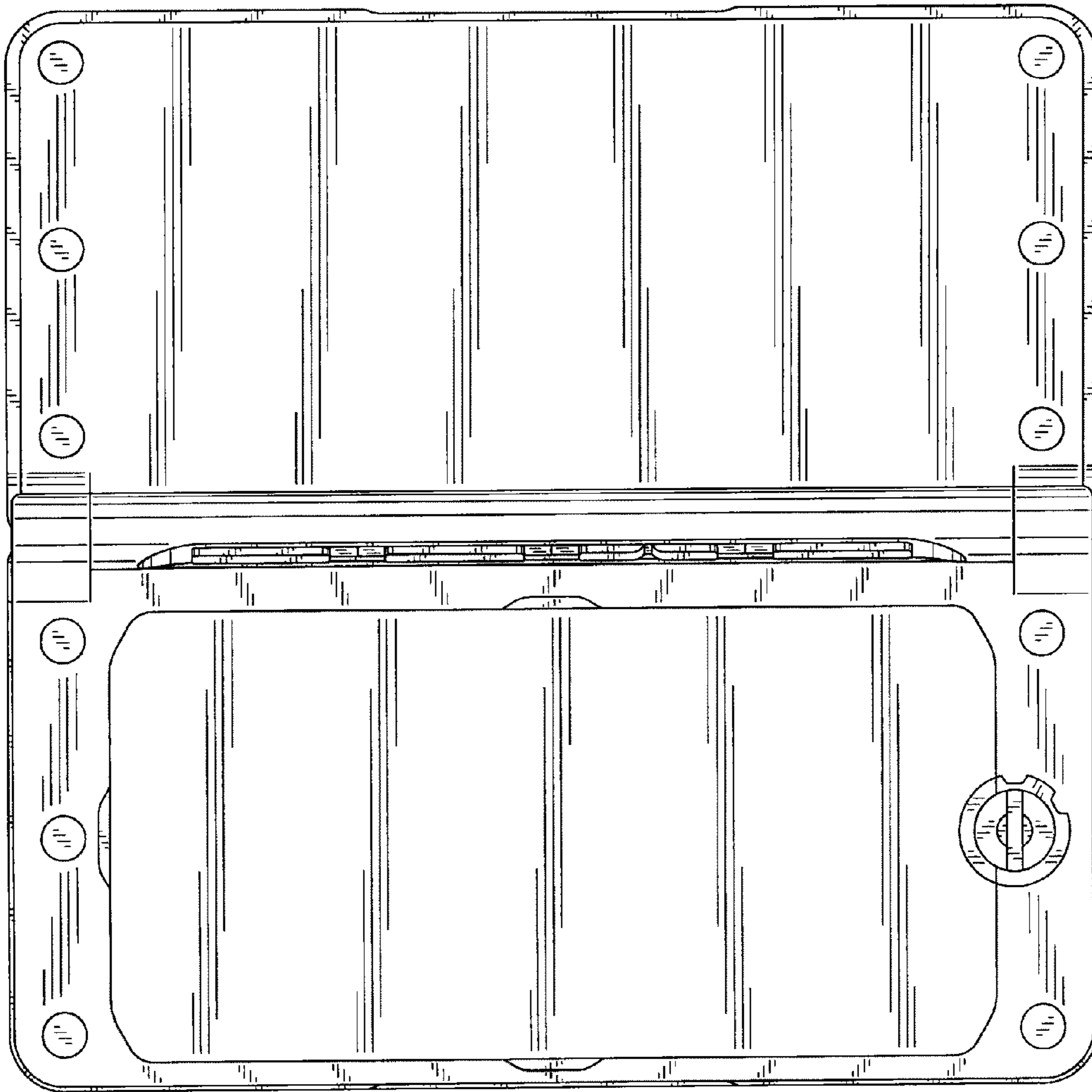


FIG. 8

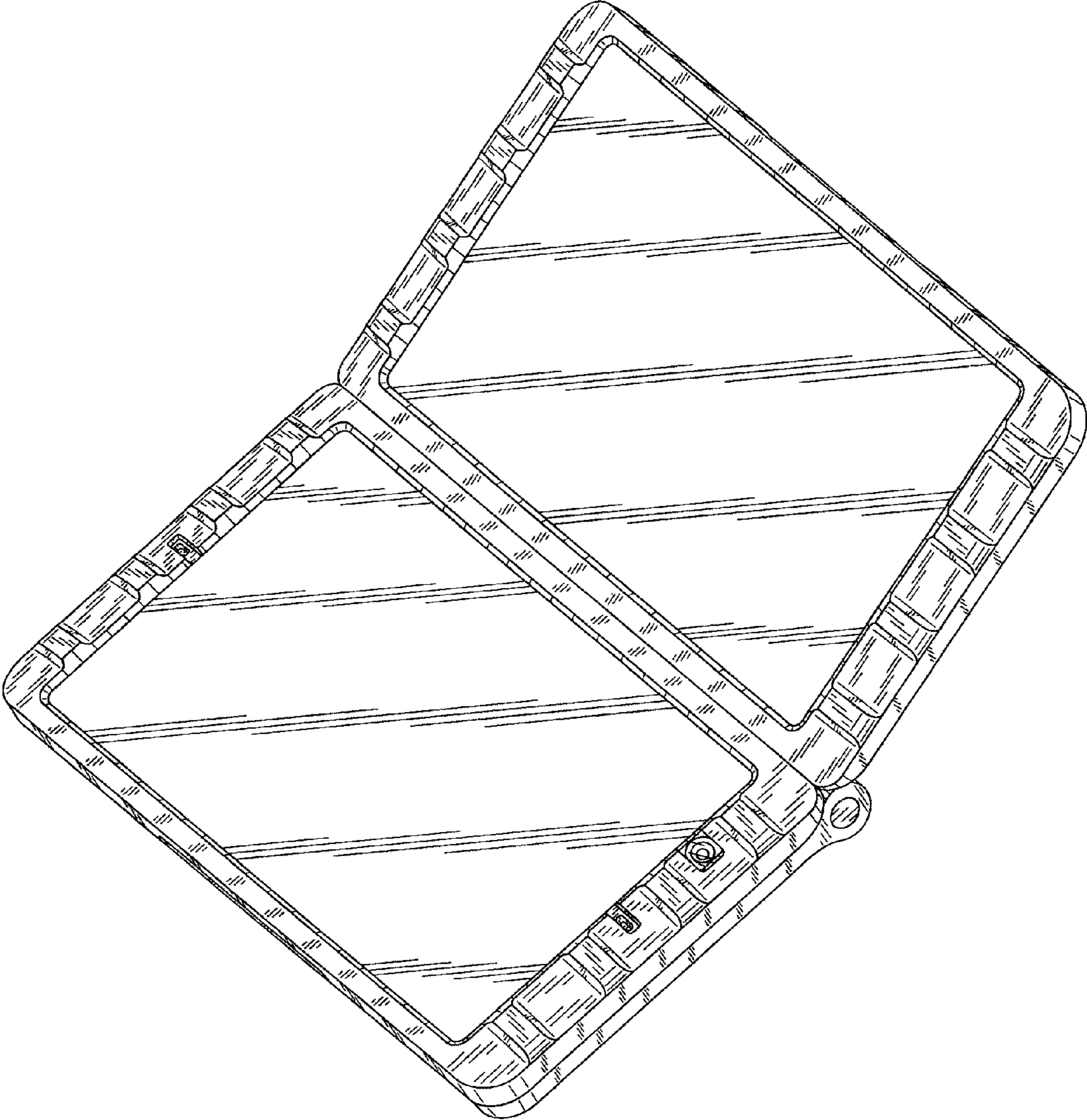


FIG. 9

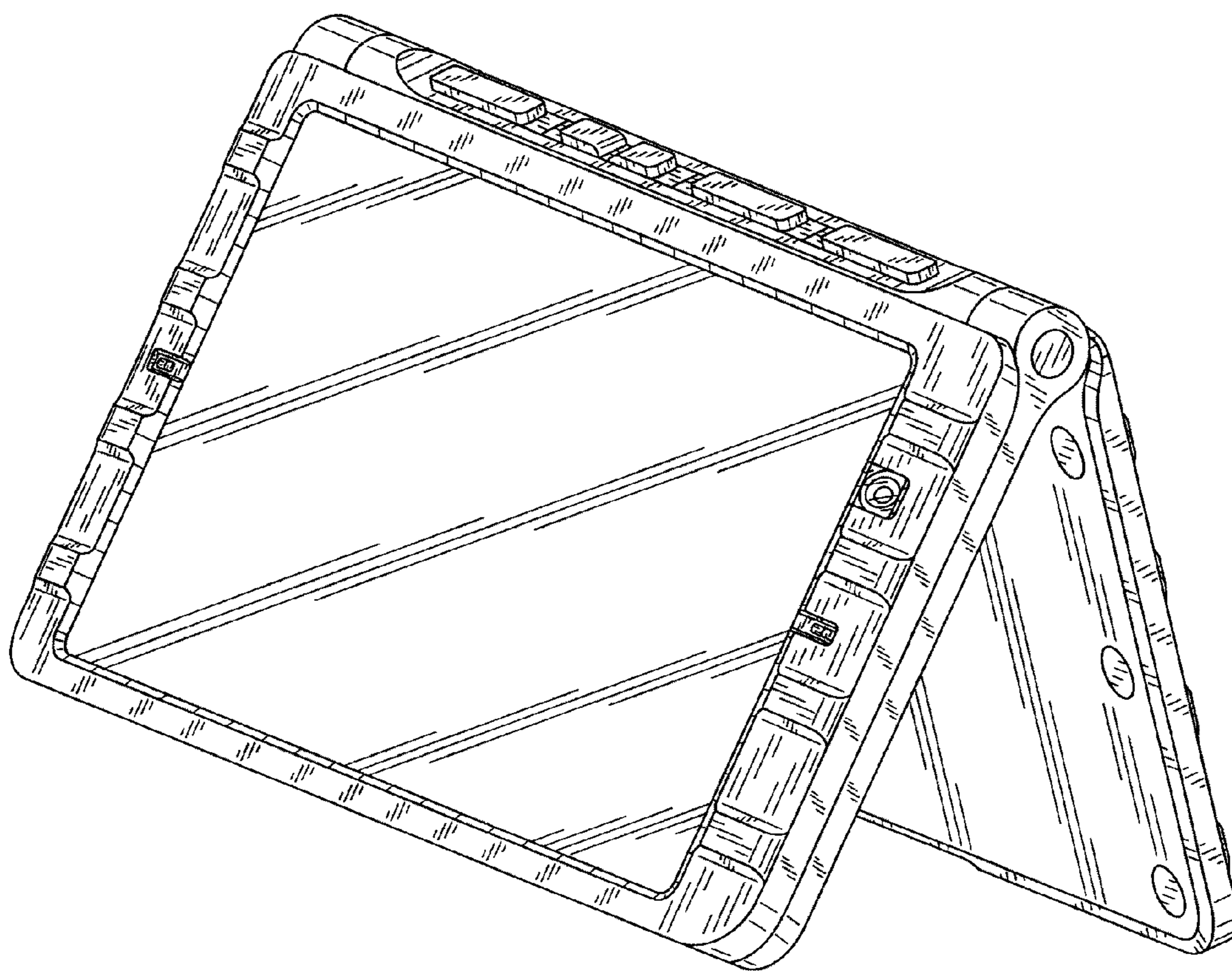


FIG. 10

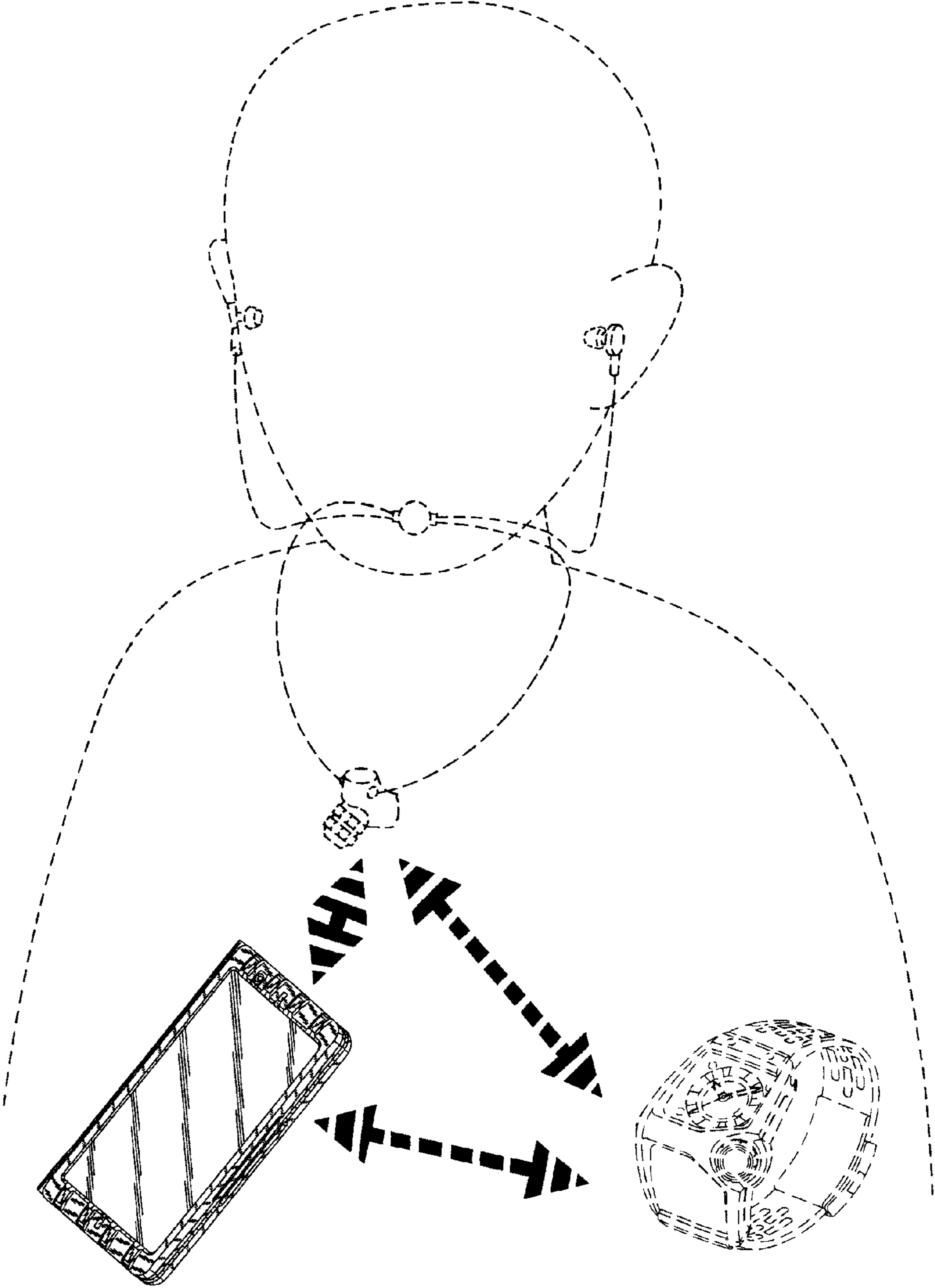


FIG. 11