



US00D653225S

(12) **United States Design Patent**
Yong et al.

(10) **Patent No.:** **US D653,225 S**
(45) **Date of Patent:** **** Jan. 31, 2012**

(54) **PORTABLE RADIO HOUSING**

(75) Inventors: **Rit Fui Yong**, Singapore (SG);
Jean-Philippe J. Cantave, Boca Raton,
FL (US); **Lan Ting L. Garra**, Sunrise,
FL (US); **Zhu Hai Mo**, Guangdong
(CN); **Xian Jun Wang**, Guangdong (CN)

(73) Assignee: **Motorola Solutions, Inc.**, Schaumburg,
IL (US)

(**) Term: **14 Years**

(21) Appl. No.: **29/393,140**

(22) Filed: **May 31, 2011**

(51) **LOC (9) Cl.** **14-03**

(52) **U.S. Cl.** **D14/137**

(58) **Field of Classification Search** D14/135,
D14/137, 139, 157, 188, 197-198, 257, 258,
D14/138 R, 138 AA, 138 C, 138 AD, 138 AC,
D14/138 G, 147, 218, 341-347; 361/814;
455/90.1-90.3

See application file for complete search history.

(56) **References Cited**

U.S. PATENT DOCUMENTS

D348,664 S *	7/1994	Imazeki	D14/137
5,471,666 A *	11/1995	Sugiyama et al.	455/348
D384,345 S *	9/1997	Lindeman et al.	D14/137
D393,260 S *	4/1998	Yahaya	D14/137
D477,816 S *	7/2003	Yahaya et al.	D14/137
D561,143 S *	2/2008	Mukai et al.	D14/137
D576,125 S *	9/2008	Nishizawa	D14/137
D576,981 S *	9/2008	Akita	D14/137
D577,699 S *	9/2008	Onoue	D14/137
D598,876 S *	8/2009	Leng et al.	D14/137
D600,225 S *	9/2009	Woon	D14/137
2009/0197545 A1 *	8/2009	Gong et al.	455/90.2
2010/0330935 A1 *	12/2010	Maggert et al.	455/90.3

OTHER PUBLICATIONS

Tekk X100, [online], [retrieved on Jan. 7, 2010]. Retrieved from Internet ,<URL: <http://www.fastradios.com>>.*

ICOM F50-F60, [online], [retrieved on Mar. 20, 2009]. Retrieved from Internet ,<URL: <http://www.talktwo-way.com>>.*

ICOM IC-V85 VHF Handheld Two Way Radio, [online], [retrieved on Jan. 6, 2010]. Retrieved from Internet ,<URL: <http://www.twowayradioonline.com>>.*

Standard Horizon HX-370S Marine Handheld Transceiver, [online], [retrieved on Jan. 6, 2010]. Retrieved from Internet ,<URL: <http://www.twowayradioonline.com>>.*

* cited by examiner

Primary Examiner — Bridget L Eland

(74) *Attorney, Agent, or Firm* — Barbara R. Doutre

(57) **CLAIM**

The ornamental design for a portable radio housing, as shown and described.

DESCRIPTION

FIG. 1 is a front perspective view of an ornamental design for a portable radio housing;

FIG. 2 is a rear perspective view thereof;

FIG. 3 is a front view thereof;

FIG. 4 is a rear view thereof;

FIG. 5 is a first side view thereof;

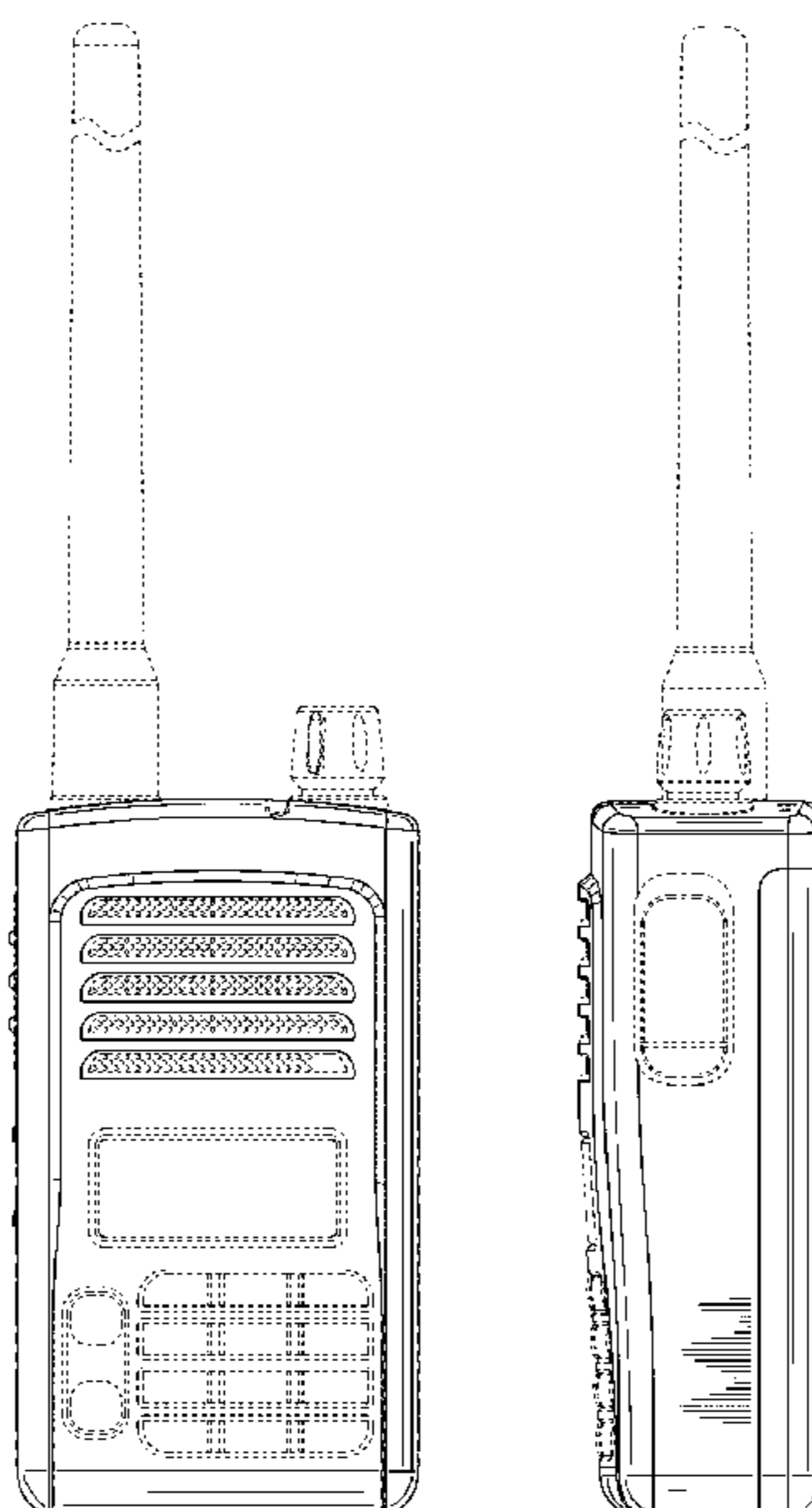
FIG. 6 is a second side view thereof;

FIG. 7 is a top view thereof; and,

FIG. 8 is a bottom view thereof.

The broken lines shown in FIGS. 1-8 that are immediately adjacent to the shaded areas, and define unshaded regions, represent the bounds of the claimed design, while all other broken lines are directed to environment and are for illustrative purposes only; the broken lines form no part of the claimed design.

1 Claim, 5 Drawing Sheets



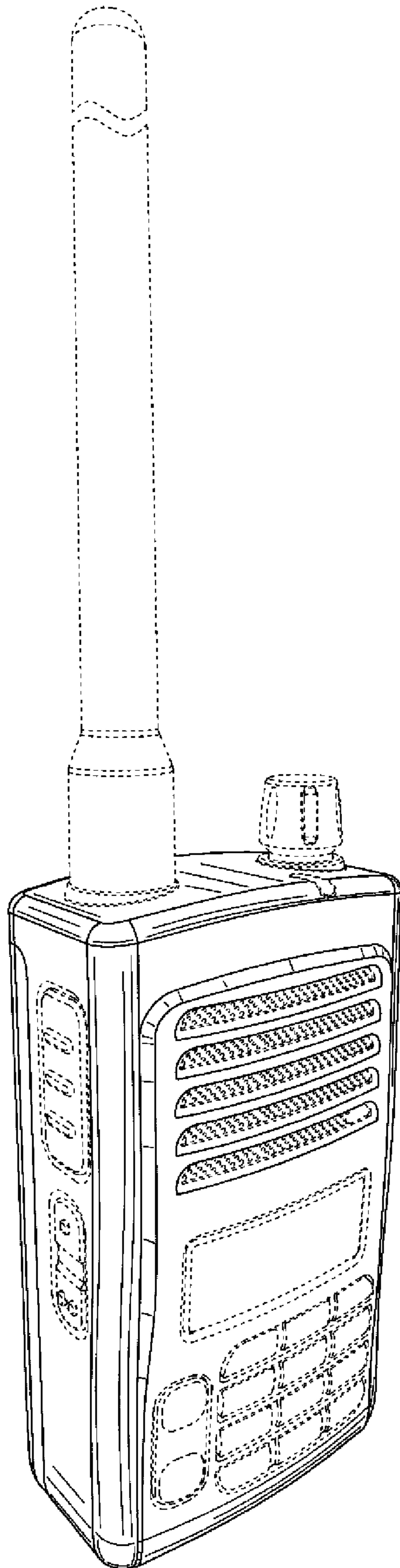


FIG. 1

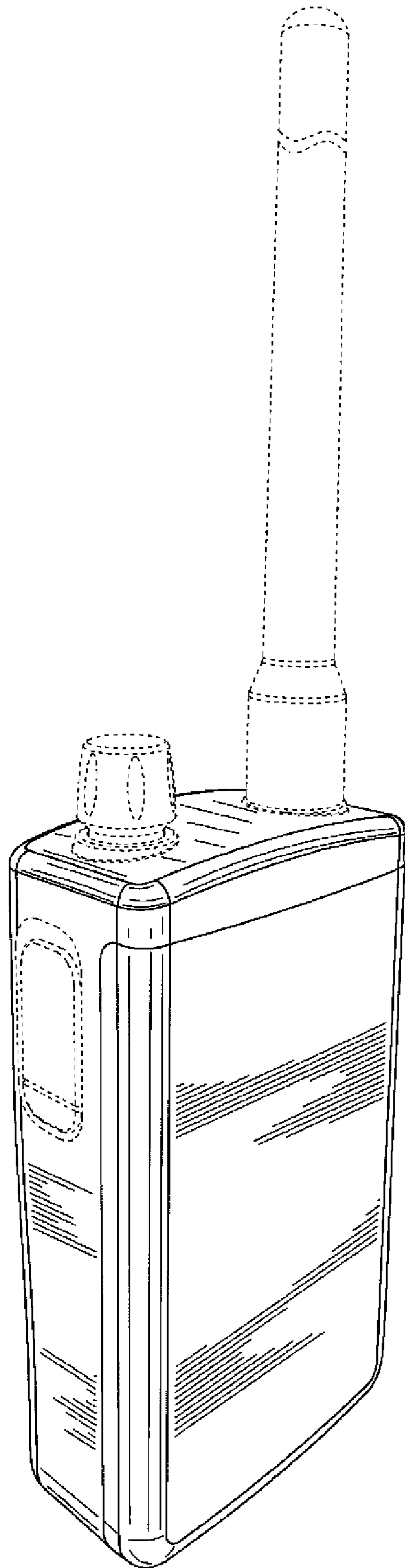


FIG. 2

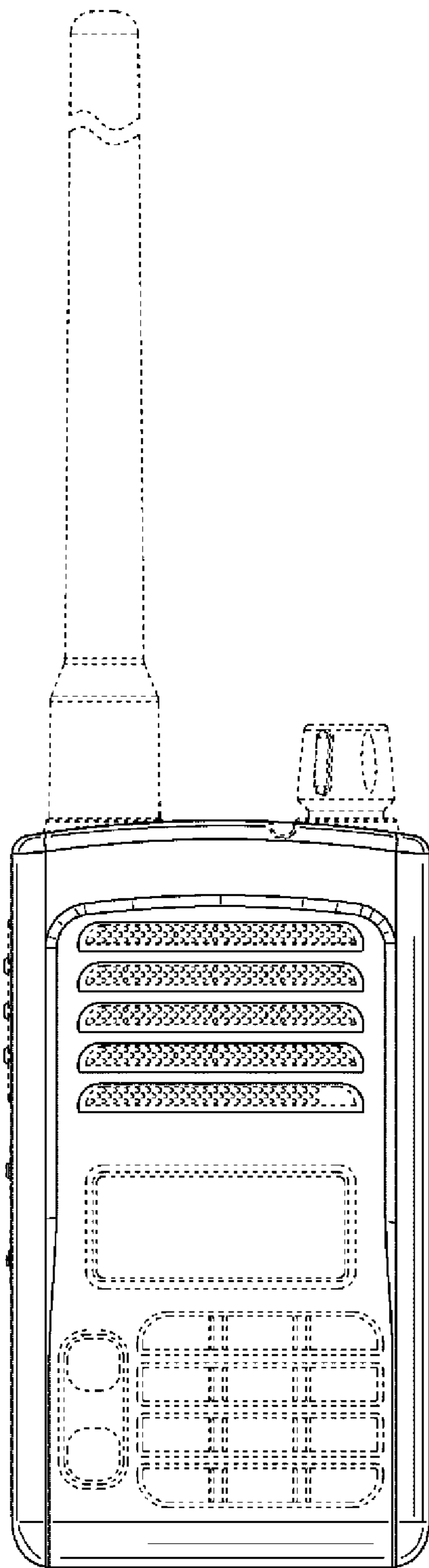


FIG. 3

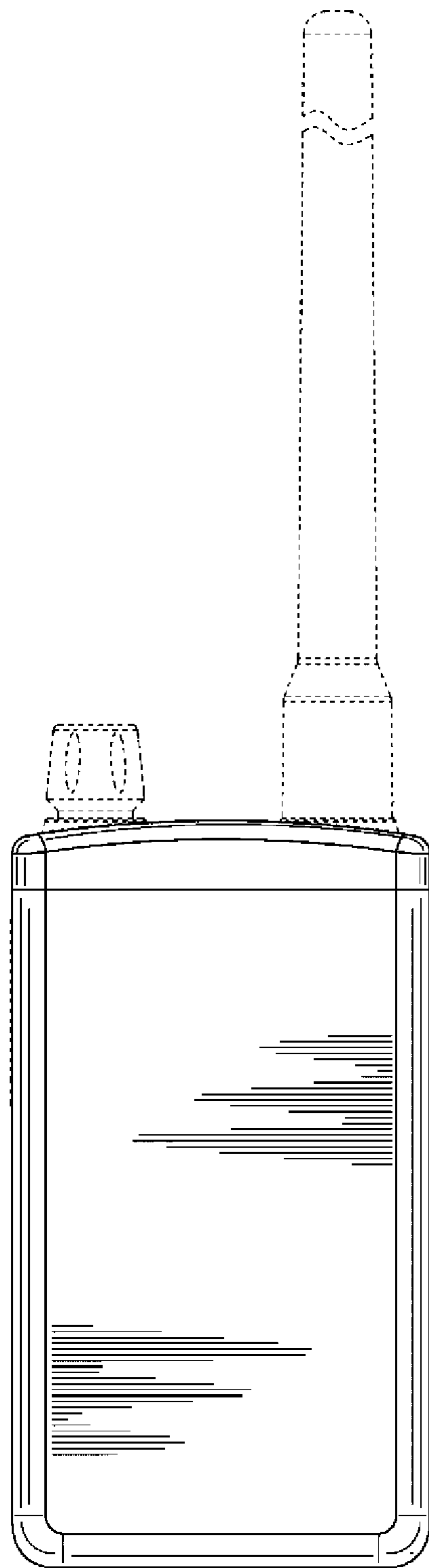


FIG. 4

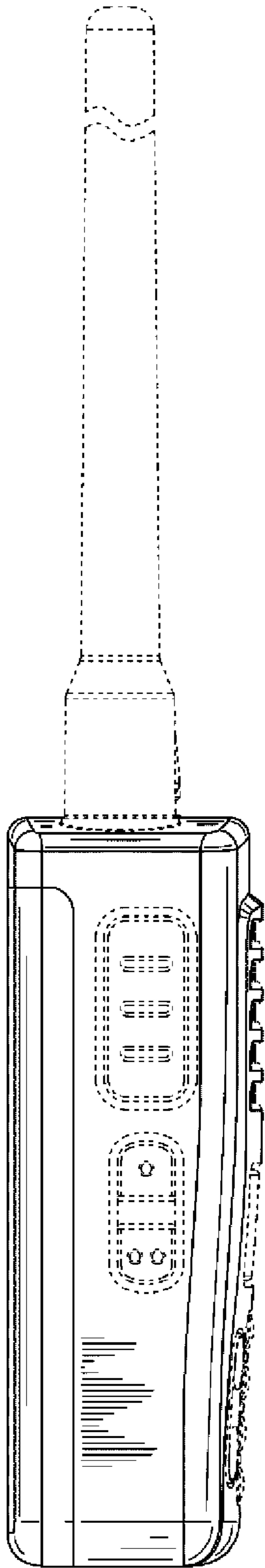


FIG. 5

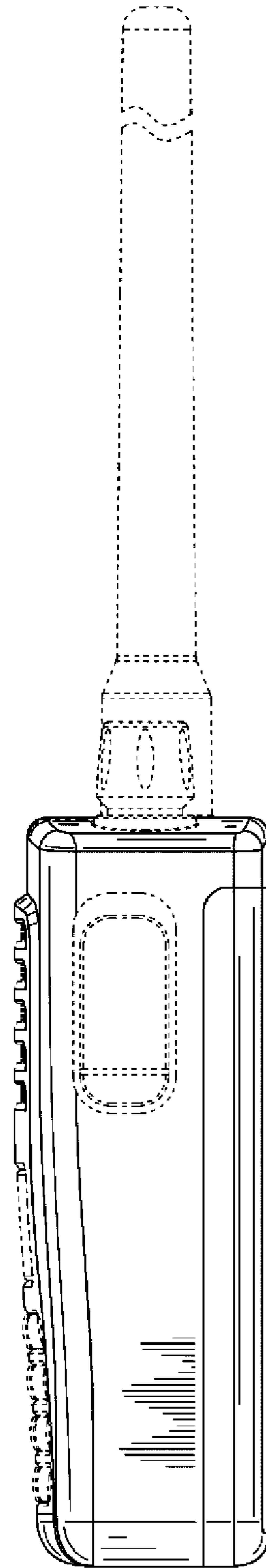


FIG. 6

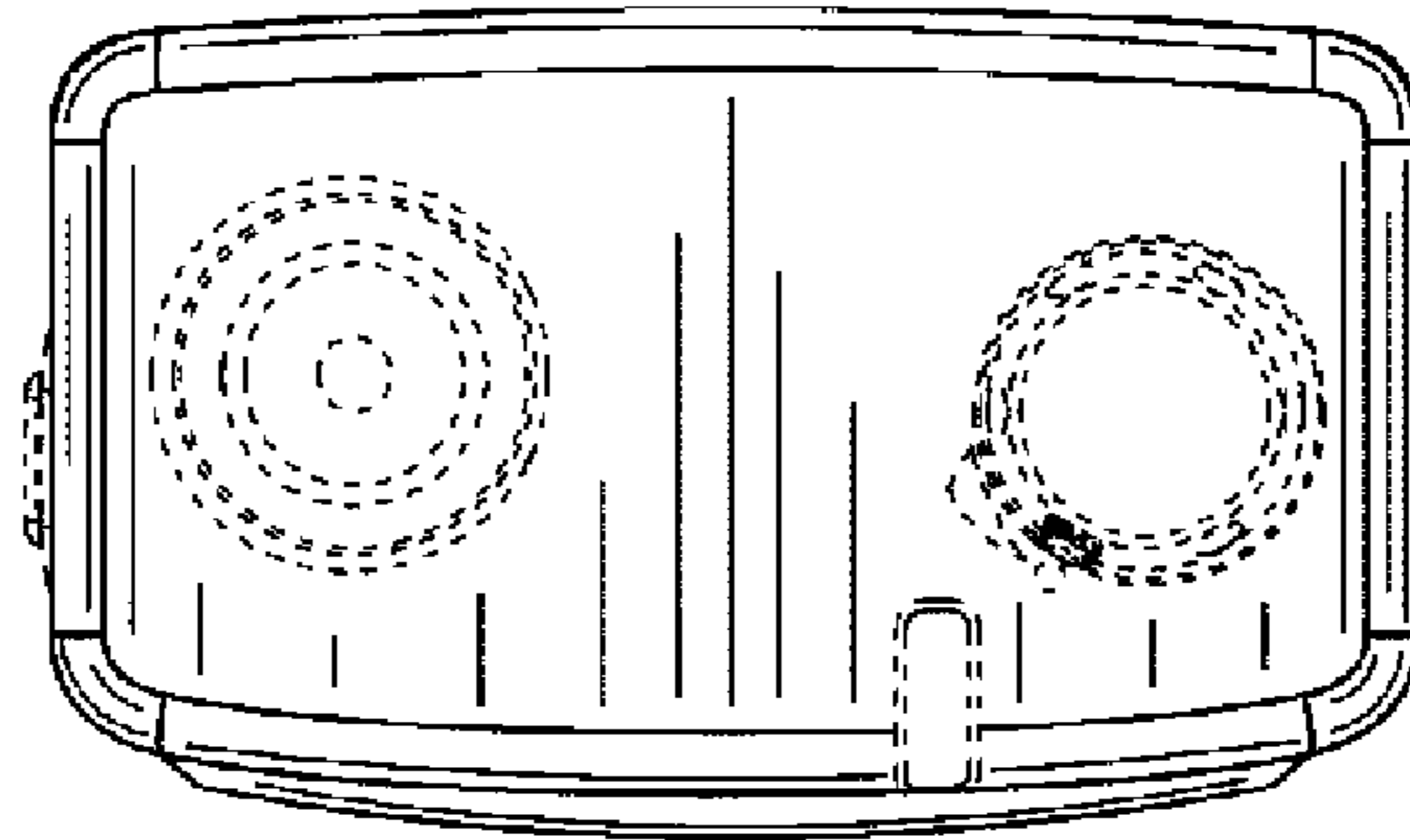


FIG. 7

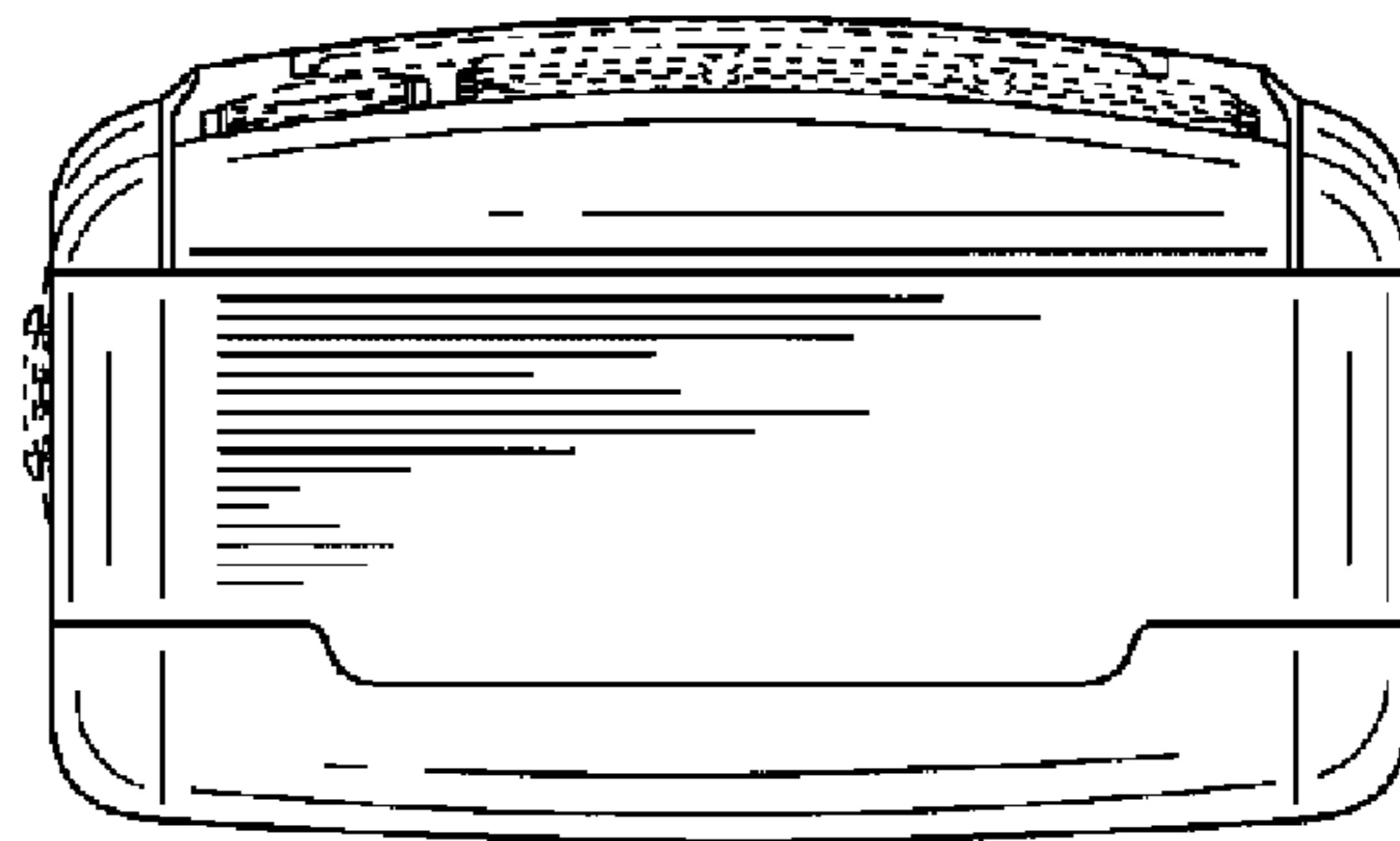


FIG. 8