

US00D653221S

(12) **United States Design Patent**
Kashimoto

(10) **Patent No.:** **US D653,221 S**

(45) **Date of Patent:** **** Jan. 31, 2012**

(54) **CONTROLLER FOR AIR-CONDITIONER**

(75) Inventor: **Hiroko Kashimoto**, Kusatsu (JP)

(73) Assignee: **Daikin Industries Ltd.**, Osaka (JP)

(**) Term: **14 Years**

(21) Appl. No.: **29/371,577**

(22) Filed: **Apr. 28, 2011**

(51) **LOC (9) Cl.** **14-03**

(52) **U.S. Cl.** **D13/168**

(58) **Field of Classification Search** D13/168;

D10/49; D14/218; 236/51; 340/4.3, 4.42,
340/12.22, 12.23, 12.24, 12.29, 12.3, 13.2,
340/13.21, 13.24; 341/176; 345/169; 348/734;
455/352; 463/39; 700/17, 65, 83

See application file for complete search history.

(56) **References Cited**

U.S. PATENT DOCUMENTS

5,590,831 A * 1/1997 Manson et al. 236/51
D531,964 S * 11/2006 Peh D13/168
D559,202 S * 1/2008 Sim et al. D13/168
D634,277 S * 3/2011 Chouji D13/168

D634,715 S * 3/2011 Choi et al. D13/168
* cited by examiner

Primary Examiner — Selina Sikder

(74) *Attorney, Agent, or Firm* — Manabu Kanesake

(57) **CLAIM**

The ornamental design for a controller for air-conditioner, as shown and described.

DESCRIPTION

FIG. 1 is a perspective view of a controller for air-conditioner showing my new design;

FIG. 2 is a front view thereof;

FIG. 3 is a rear view thereof;

FIG. 4 is a plan view thereof;

FIG. 5 is a bottom view thereof;

FIG. 6 is a left side view thereof;

FIG. 7 is a right side view thereof; and,

FIG. 8 is a cross sectional view thereof taken along line 8-8 in

FIG. 2 wherein the broken lines shown are for illustrative

purposes only and form no part of the claimed design. FIG. 8

is included for the purpose of showing external surface con-

tours which may not be clear from the remaining illustrations.

Any features of internal construction shown are incidental

and form no part of the claimed design.

1 Claim, 6 Drawing Sheets

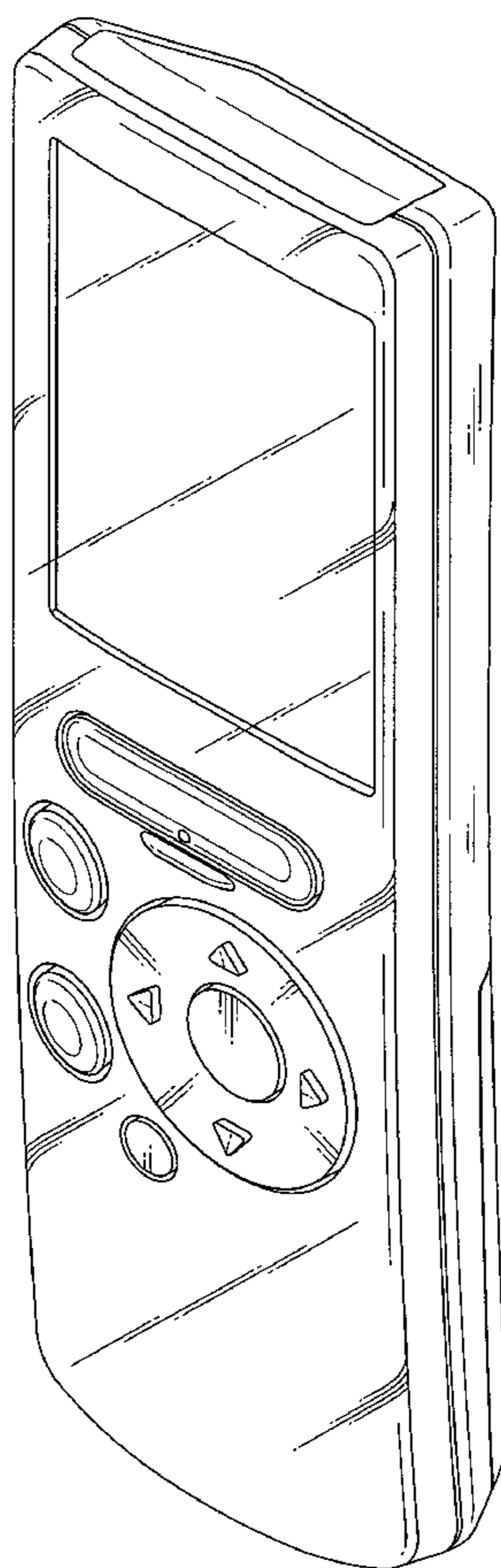


Fig. 1

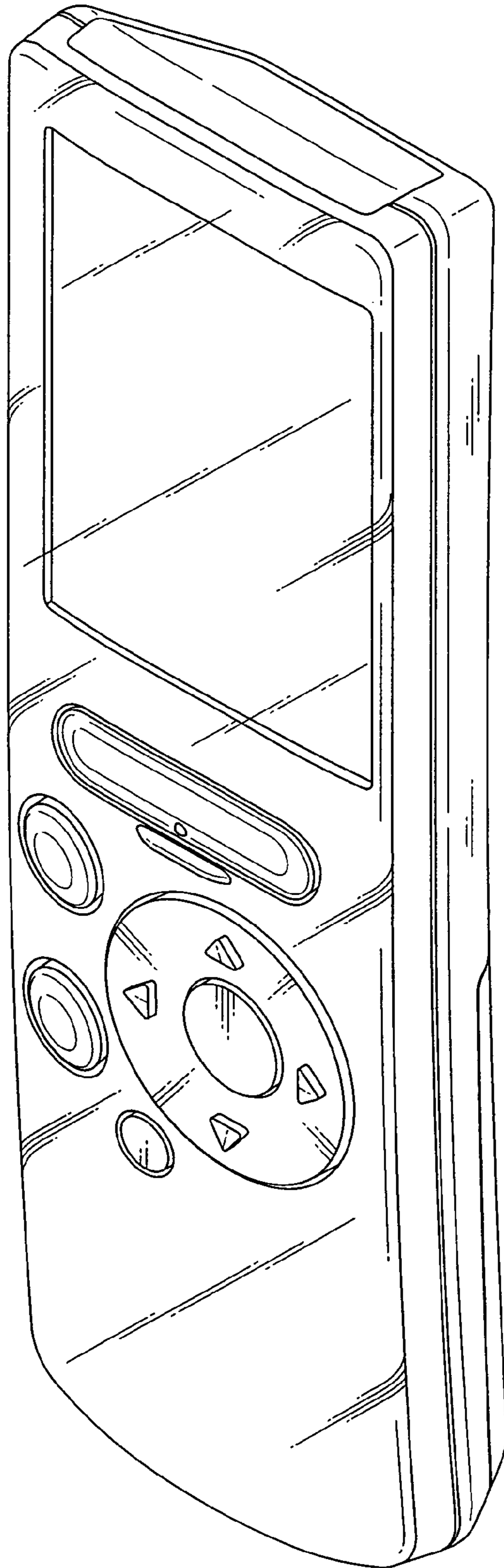
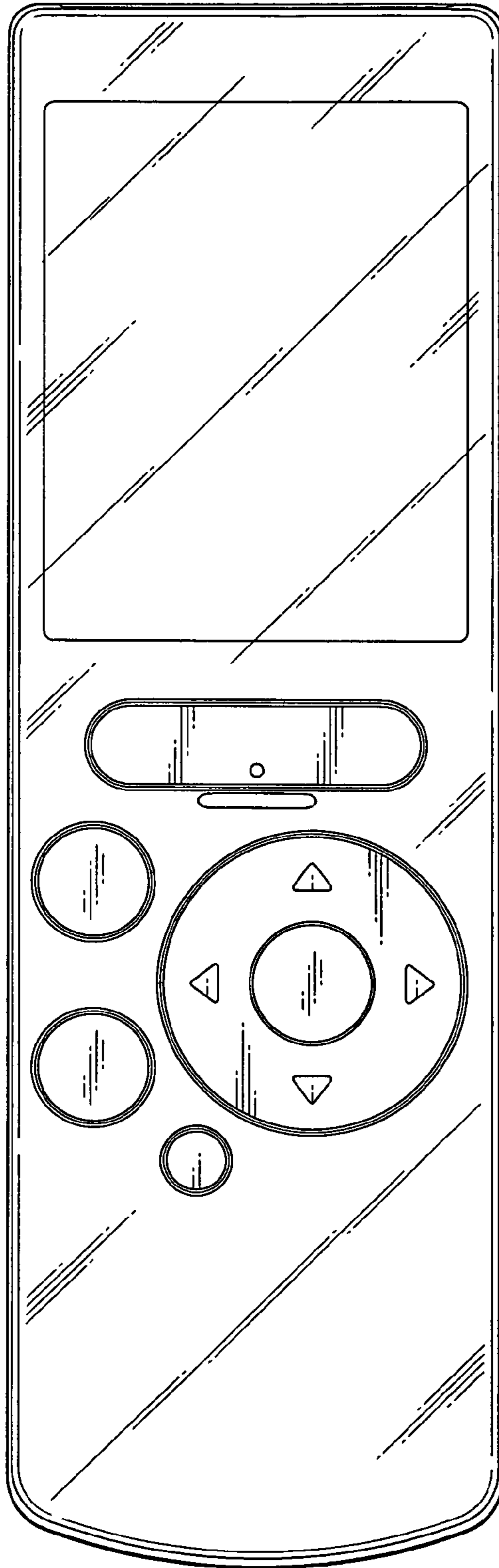


Fig. 2

8 ←



8 ←

Fig. 3

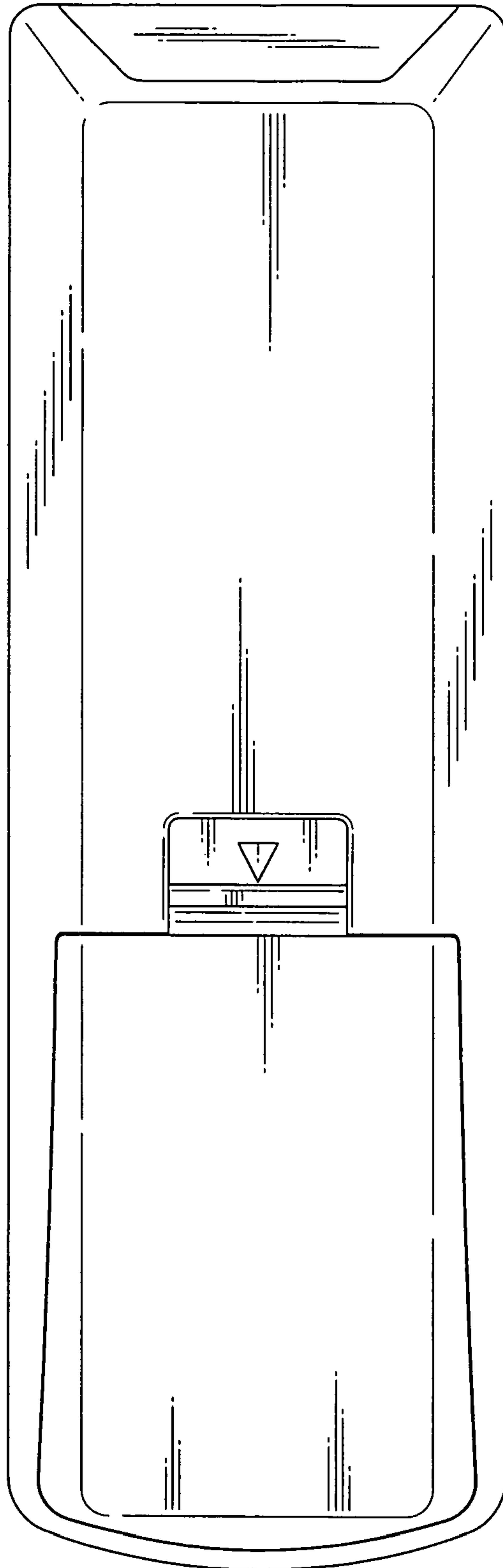


Fig. 4



Fig. 5

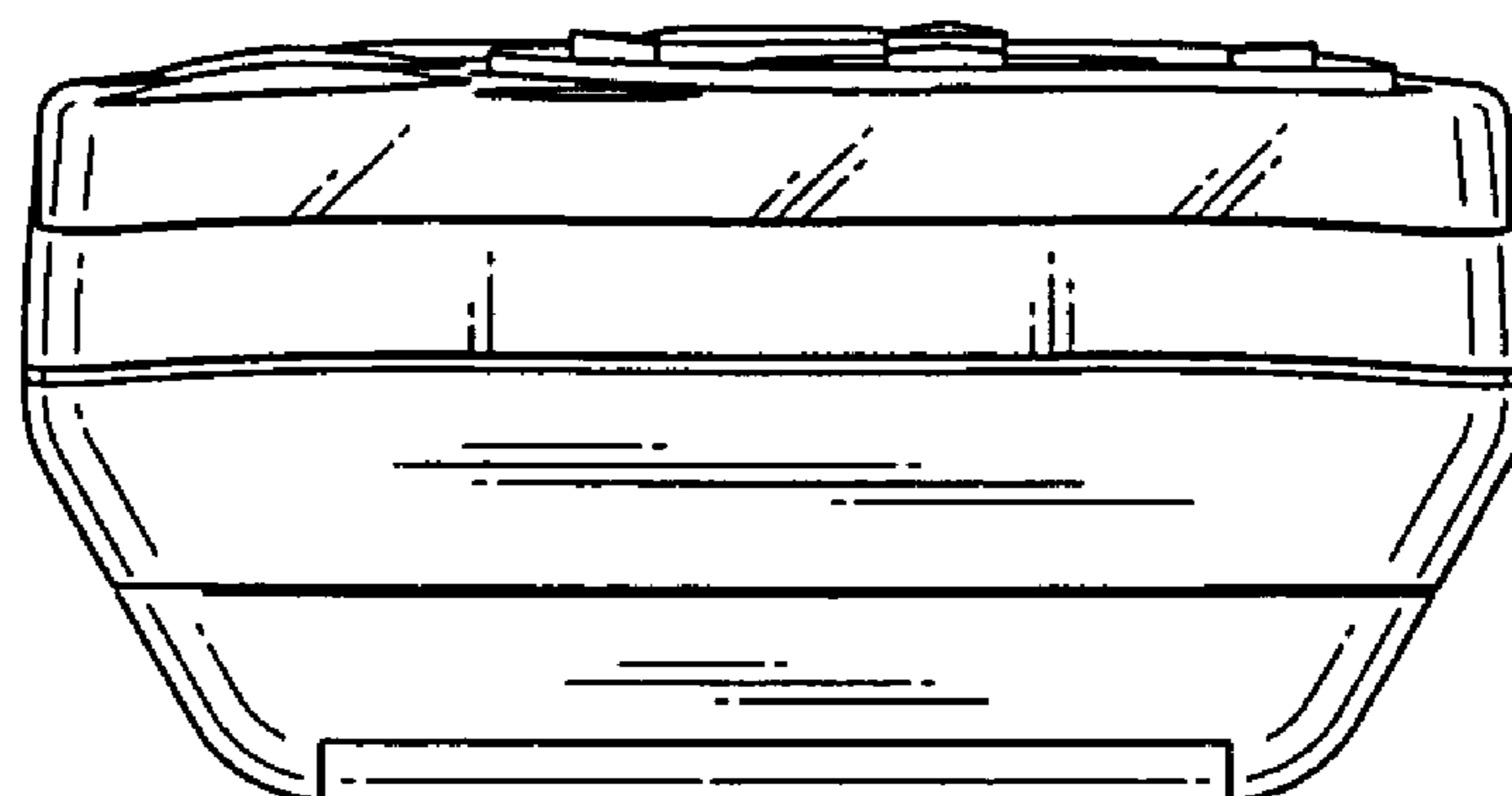


Fig. 6

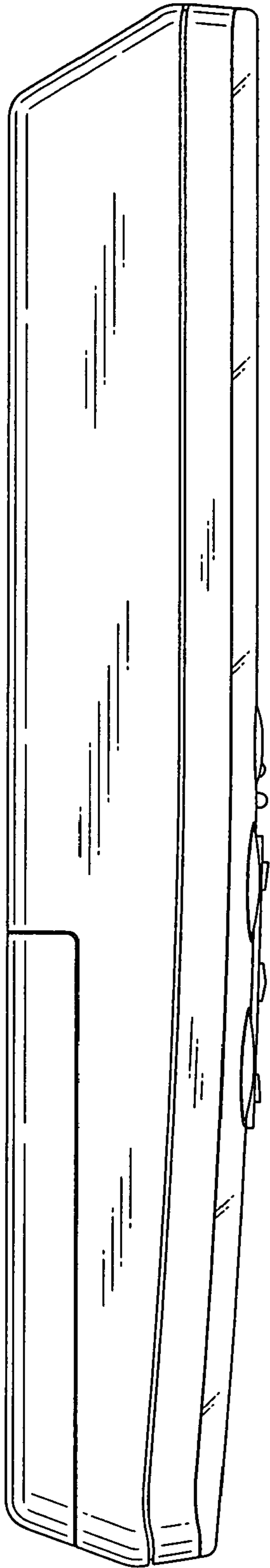


Fig. 7

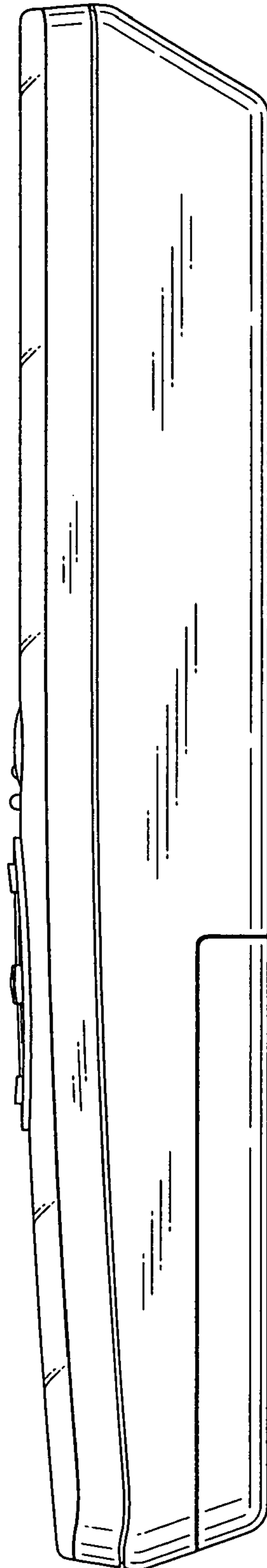


Fig. 8

