



US00D653219S

(12) **United States Design Patent**
Woytowitz et al.

(10) **Patent No.:** **US D653,219 S**
(45) **Date of Patent:** **** Jan. 31, 2012**

(54) **DATA RELAY FOR AN IRRIGATION CONTROLLER**

2003/0120393 A1* 6/2003 Bailey et al. 700/284
2008/0251602 A1* 10/2008 Leggett et al. 239/69
2011/0119773 A1* 5/2011 Woytowitz 726/36

(75) Inventors: **Peter J. Woytowitz**, San Diego, CA (US); **Lance C. Elliott**, San Marcos, CA (US)

* cited by examiner

Primary Examiner — Selina Sikder
(74) *Attorney, Agent, or Firm* — Michael H. Jester

(73) Assignee: **Hunter Industries, Inc., a Delaware corporation**, San Marcos, CA (US)

(57) **CLAIM**
The ornamental design for a data relay for an irrigation controller, as illustrated and described.

(**) Term: **14 Years**

DESCRIPTION

(21) Appl. No.: **29/353,420**

FIG. 1 is an isometric view from the front of a data relay for an irrigation controller;
FIG. 2 is an isometric view from the rear of the data relay for an irrigation controller;
FIG. 3 is a front elevation view of the data relay for an irrigation controller;
FIG. 4 is a rear elevation view of the data relay for an irrigation controller;
FIG. 5 is right side elevation view of the data relay for an irrigation controller;
FIG. 6 is a left side elevation view of the data relay for an irrigation controller;
FIG. 7 is a top-end elevation view of the data relay for an irrigation controller; and,
FIG. 8 is a bottom-end elevation view of the data relay for an irrigation controller.

(22) Filed: **Jan. 8, 2010**

(51) **LOC (9) Cl.** **13-03**

(52) **U.S. Cl.** **D13/159; D13/168**

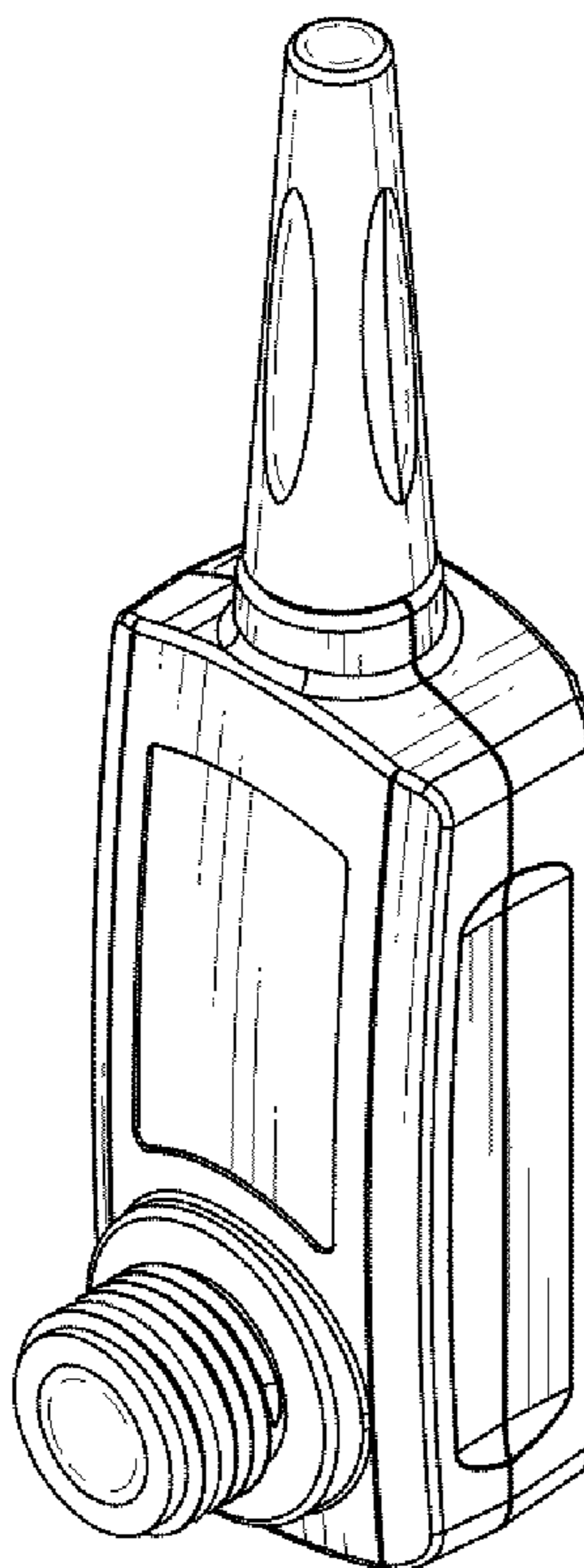
(58) **Field of Classification Search** D13/159, D13/162.1, 168; D10/40; D23/245; 137/78.3; 239/69; 455/7; 700/284; 726/36
See application file for complete search history.

(56) **References Cited**

U.S. PATENT DOCUMENTS

4,760,547 A * 7/1988 Duxbury 700/284
4,807,664 A * 2/1989 Wilson et al. 137/624.11
D477,287 S * 7/2003 Roman D13/162
D604,183 S * 11/2009 Zore et al. D10/40
D607,847 S * 1/2010 Elliott et al. D13/168

1 Claim, 2 Drawing Sheets



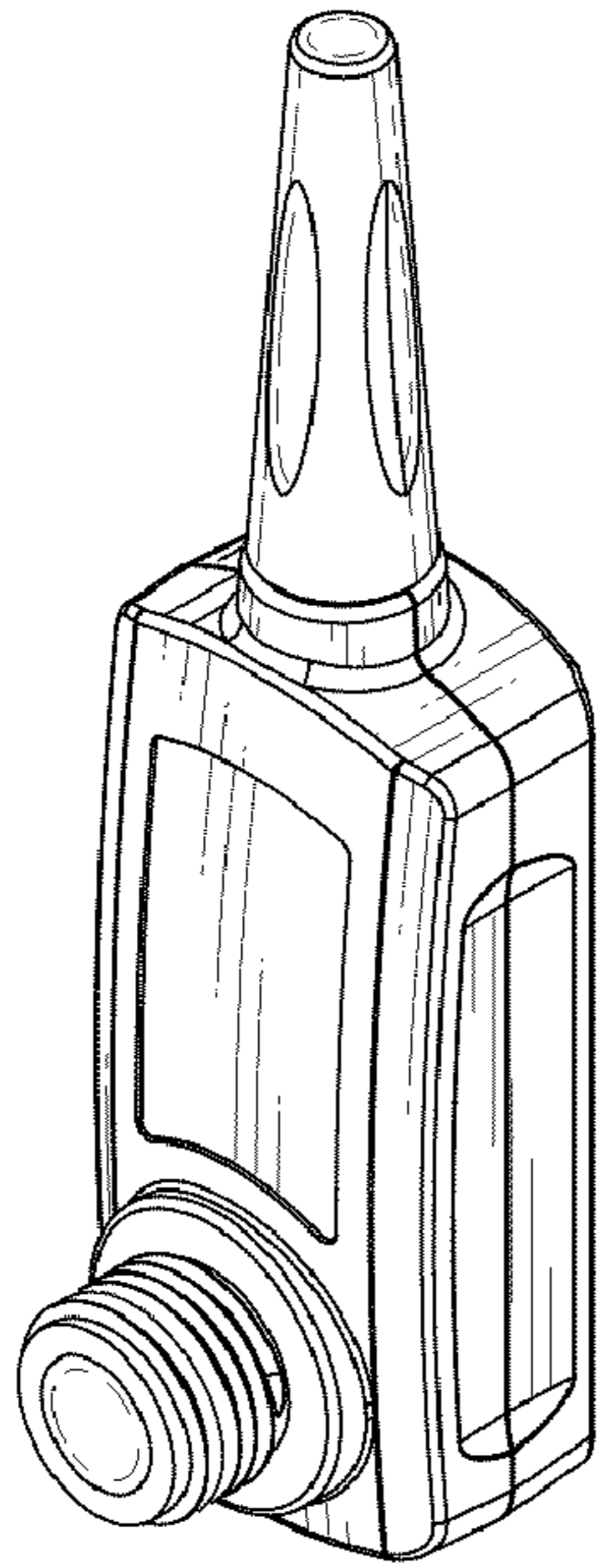


FIG. 1

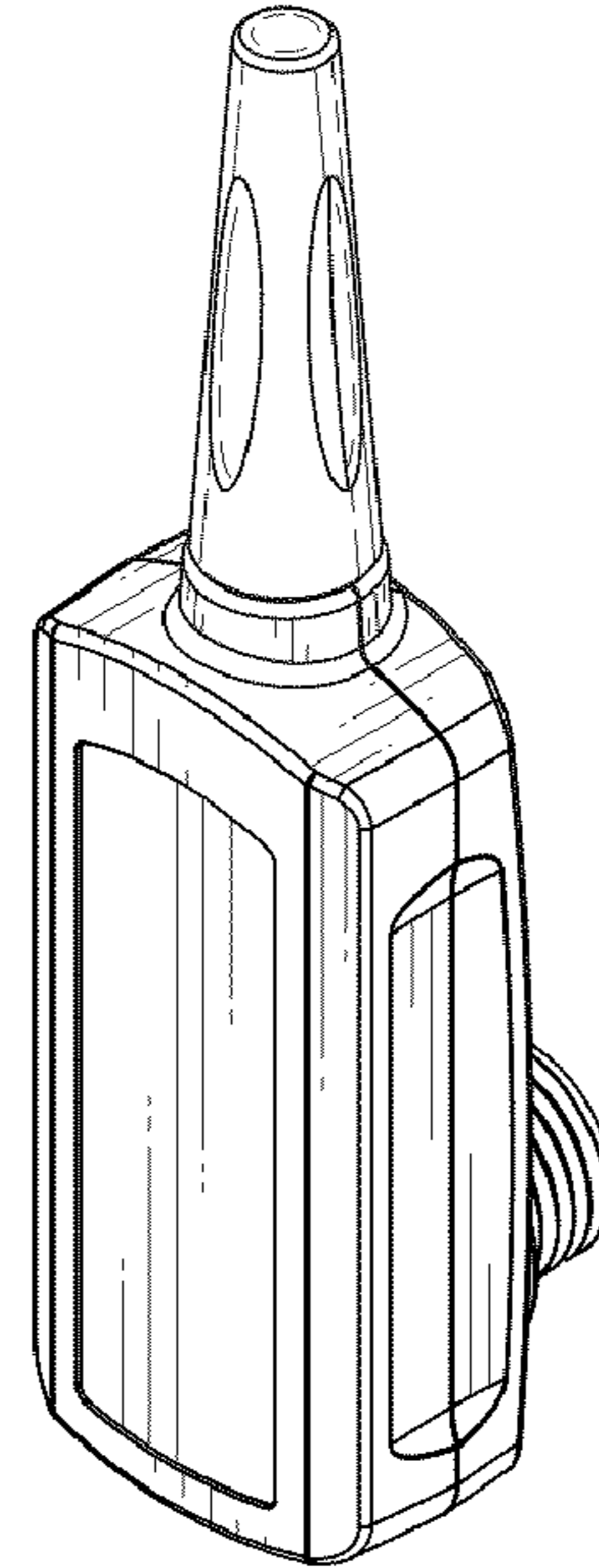


FIG. 2



FIG. 3



FIG. 4

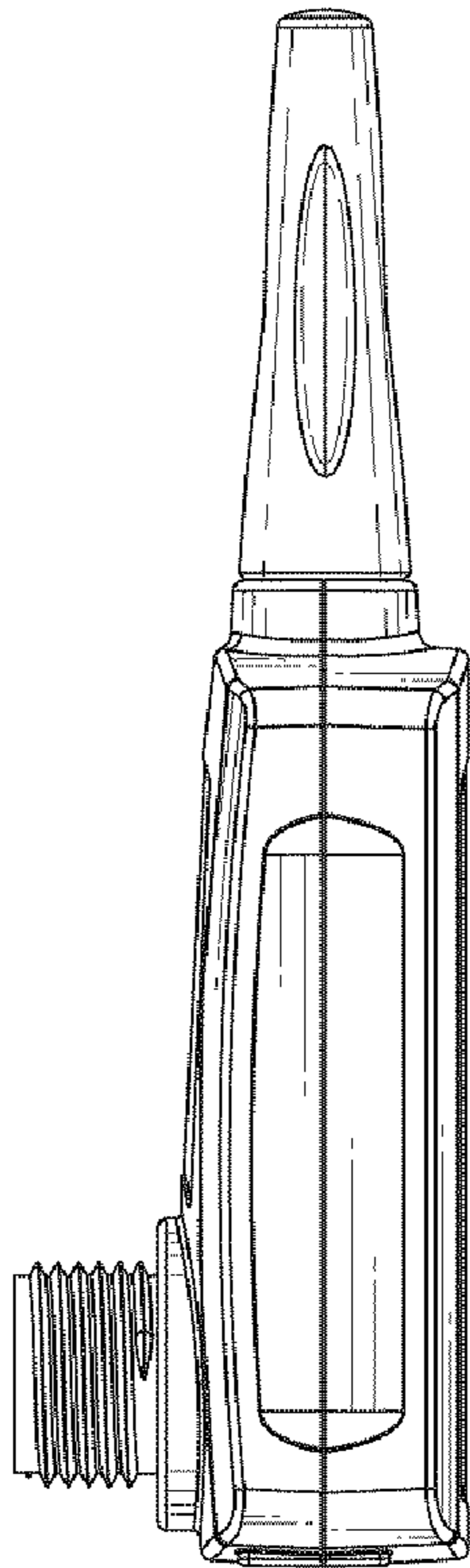


FIG. 5

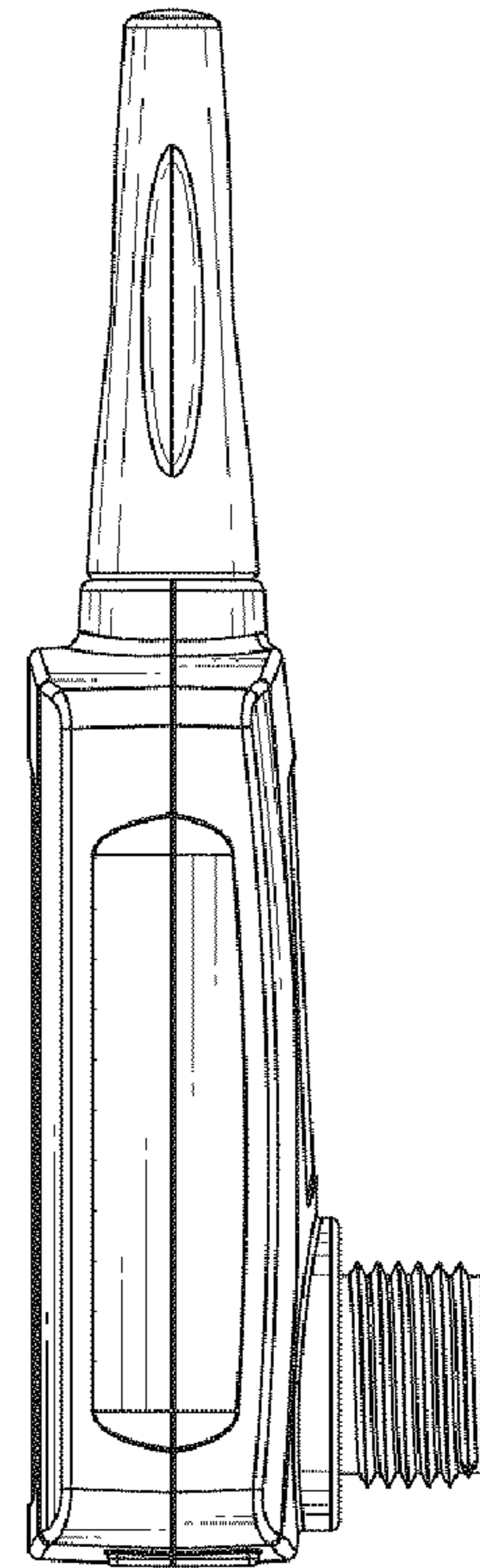


FIG. 6

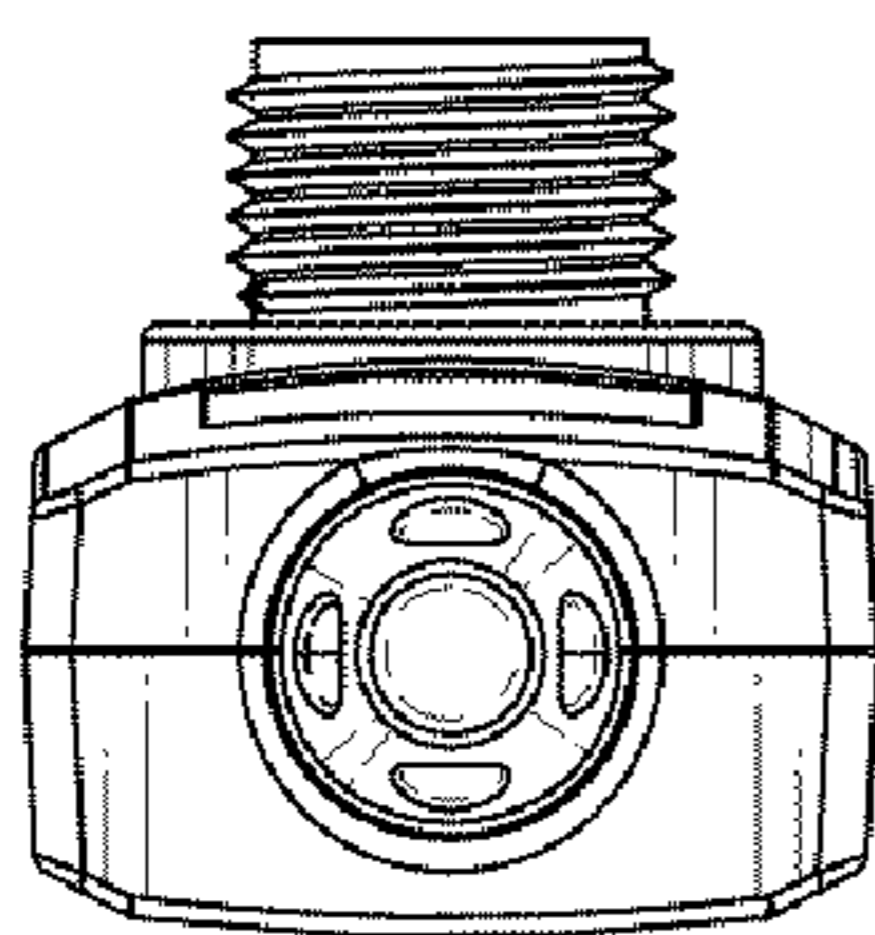


FIG. 7

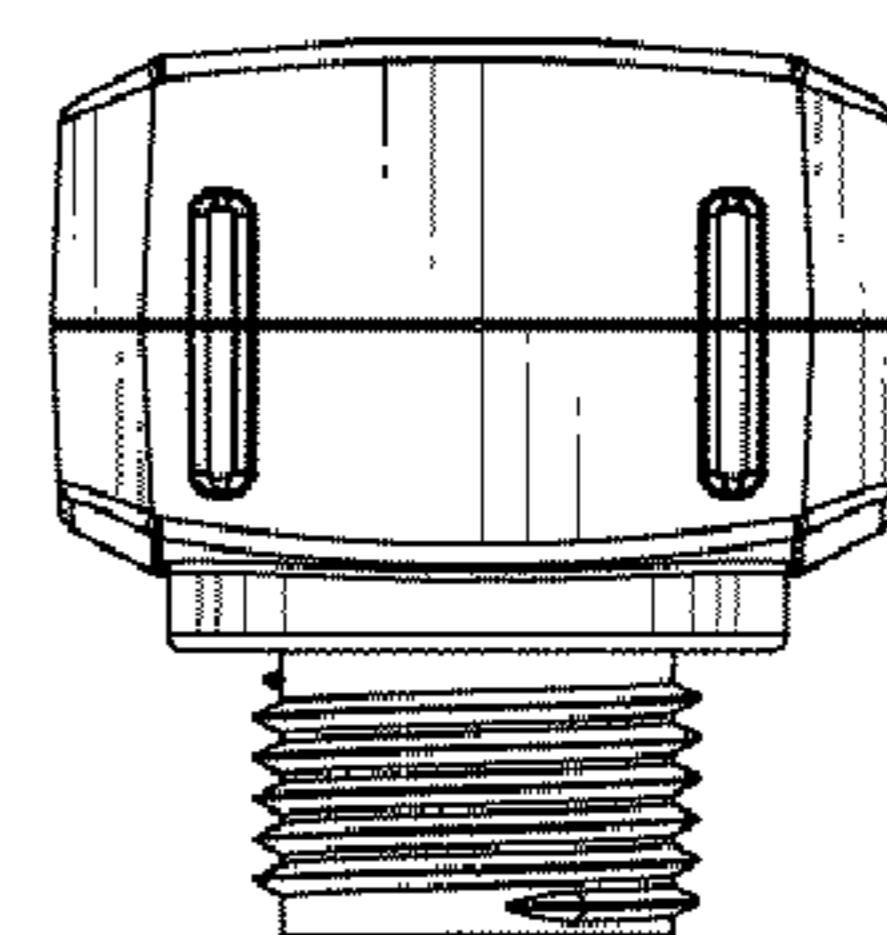


FIG. 8