

US00D653218S

(12) **United States Design Patent**  
**Fukano et al.**

(10) **Patent No.:** **US D653,218 S**  
(45) **Date of Patent:** **\*\* Jan. 31, 2012**

(54) **CONTROLLER FOR ELECTRIC ACTUATOR**

(75) Inventors: **Yoshihiro Fukano**, Tsukubamirai (JP);  
**Hidetoshi Kuroki**, Tsukubamirai (JP)

(73) Assignee: **SMC Corporation**, Chiyoda-ku, Tokyo  
(JP)

(\*\*) Term: **14 Years**

(21) Appl. No.: **29/366,693**

(22) Filed: **Jul. 29, 2010**

(30) **Foreign Application Priority Data**

Mar. 24, 2010 (JP) ..... 2010-007223

(51) **LOC (9) Cl.** ..... **13-03**

(52) **U.S. Cl.** ..... **D13/147**

(58) **Field of Classification Search** ..... D13/110,  
D13/146, 147, 154, 184, 199; 439/135, 180,  
439/278, 290-292, 295, 483, 527, 529, 533,  
439/540.1, 541.5, 660, 668, 680, 682, 686,  
439/892, 894

See application file for complete search history.

(56) **References Cited**

**U.S. PATENT DOCUMENTS**

D477,814 S \* 7/2003 Droulin et al. .... D13/162.1  
D555,088 S \* 11/2007 Ohmi ..... D13/110

D579,877 S \* 11/2008 Carpenter et al. .... D13/147  
D579,878 S \* 11/2008 Carpenter et al. .... D13/147  
D601,963 S \* 10/2009 Fukano et al. .... D13/146  
D607,821 S \* 1/2010 Fukano et al. .... D13/146

\* cited by examiner

*Primary Examiner* — Daniel Bui

(74) *Attorney, Agent, or Firm* — Yokoi & Co., U.S.A., Inc.;  
Toshiyuki Yokoi

(57) **CLAIM**

The ornamental design for a controller for electric actuator, as shown and described.

**DESCRIPTION**

FIG. 1 shows a front view of a controller for a controller for electric actuator showing our new design;

FIG. 2 shows a rear view thereof;

FIG. 3 shows a right side view thereof;

FIG. 4 shows a left side view thereof;

FIG. 5 shows a top view thereof;

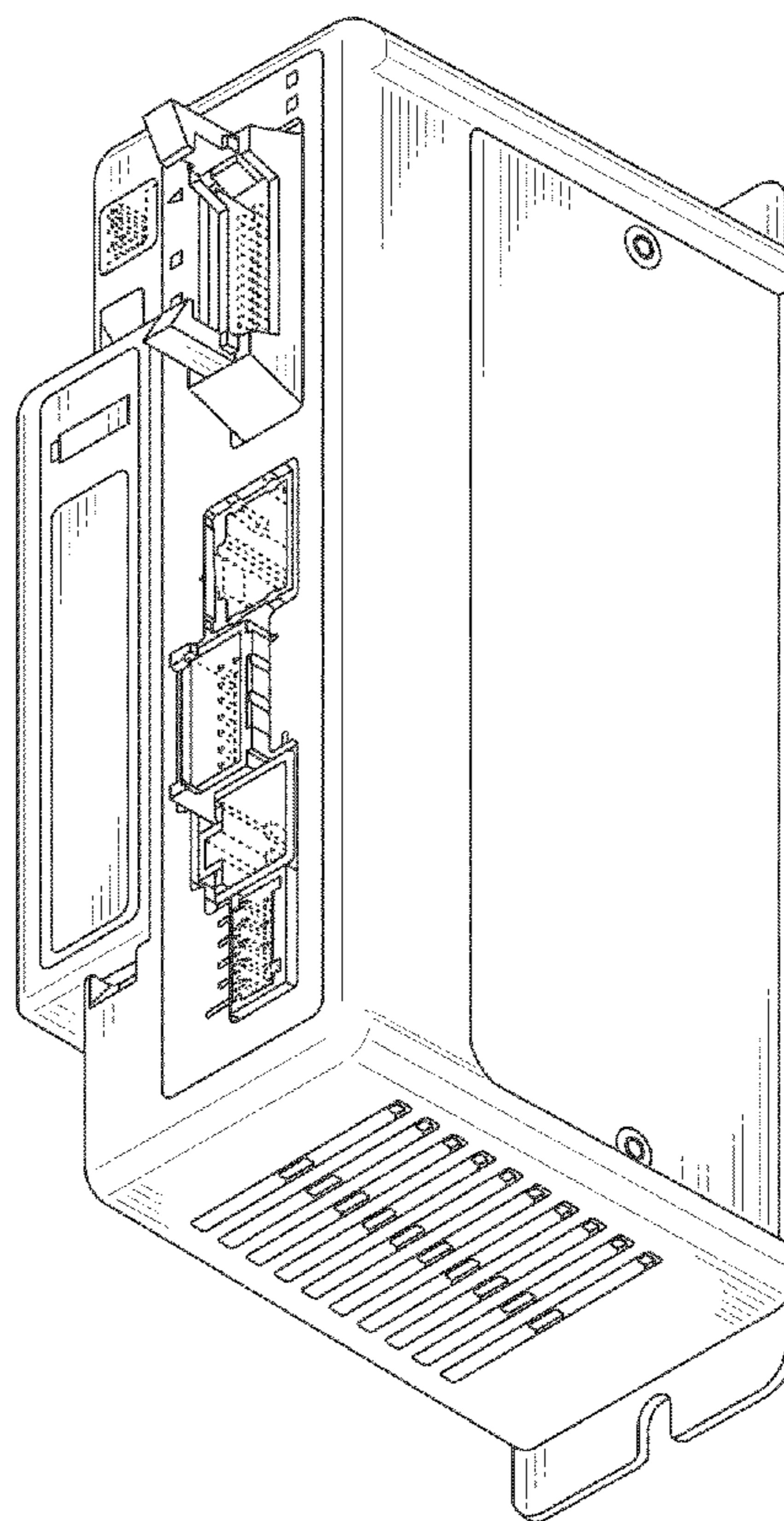
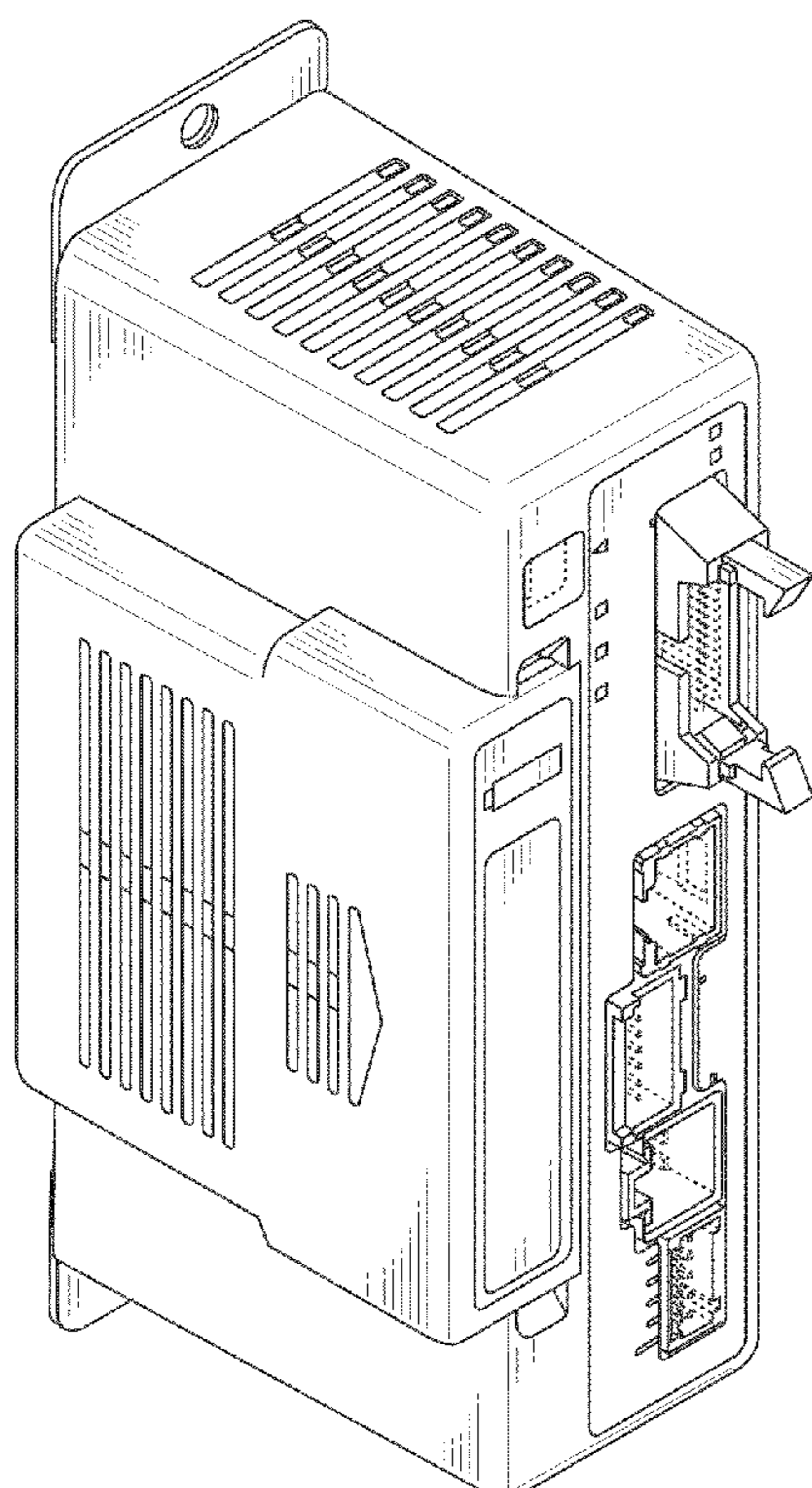
FIG. 6 shows a bottom view thereof;

FIG. 7 shows a top, front and left side perspective view thereof; and,

FIG. 8 shows a bottom, front and right side perspective view thereof.

The portions of the design shown in broken lines in FIGS. 1, 7 and 8 are for the purpose of illustrating the environment only and form no part of the claimed design.

**1 Claim, 7 Drawing Sheets**



# FIG. 1

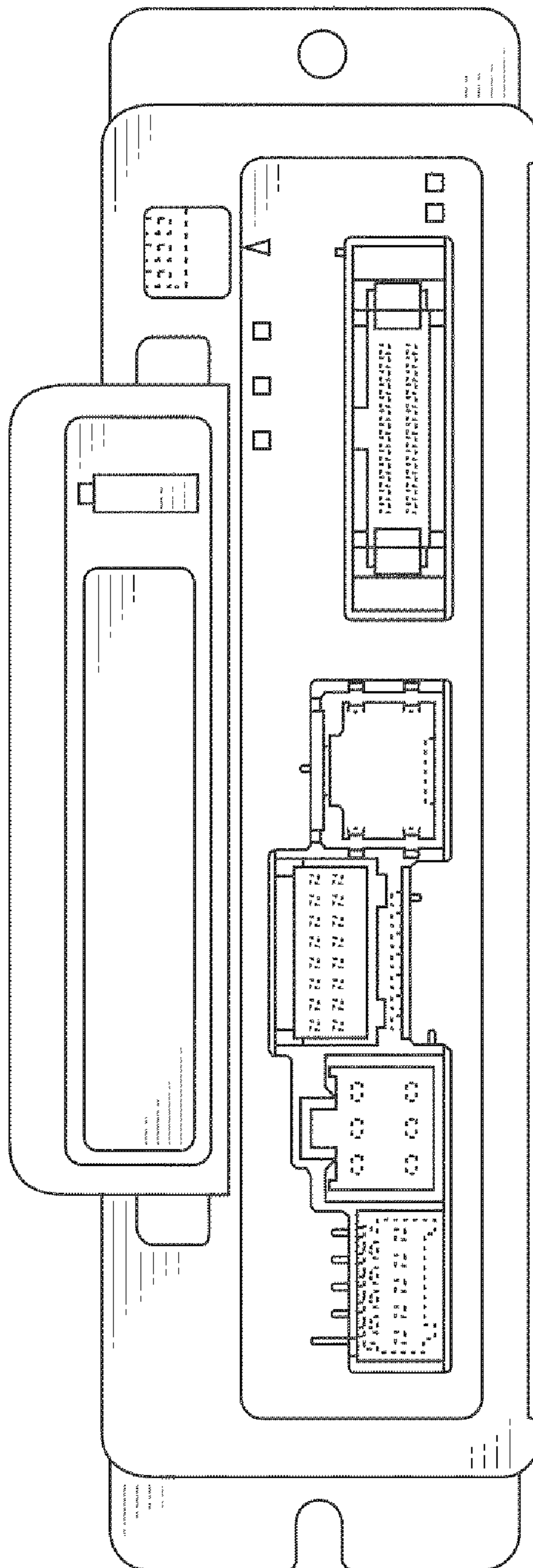


FIG. 2

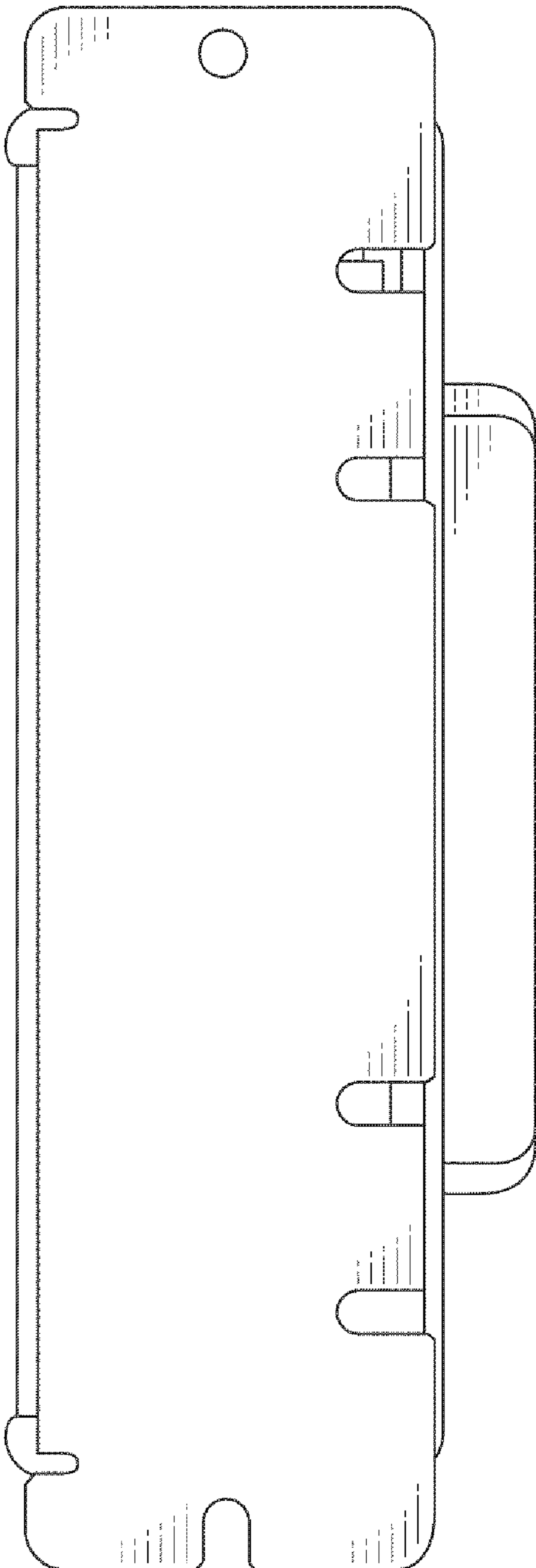


FIG. 3

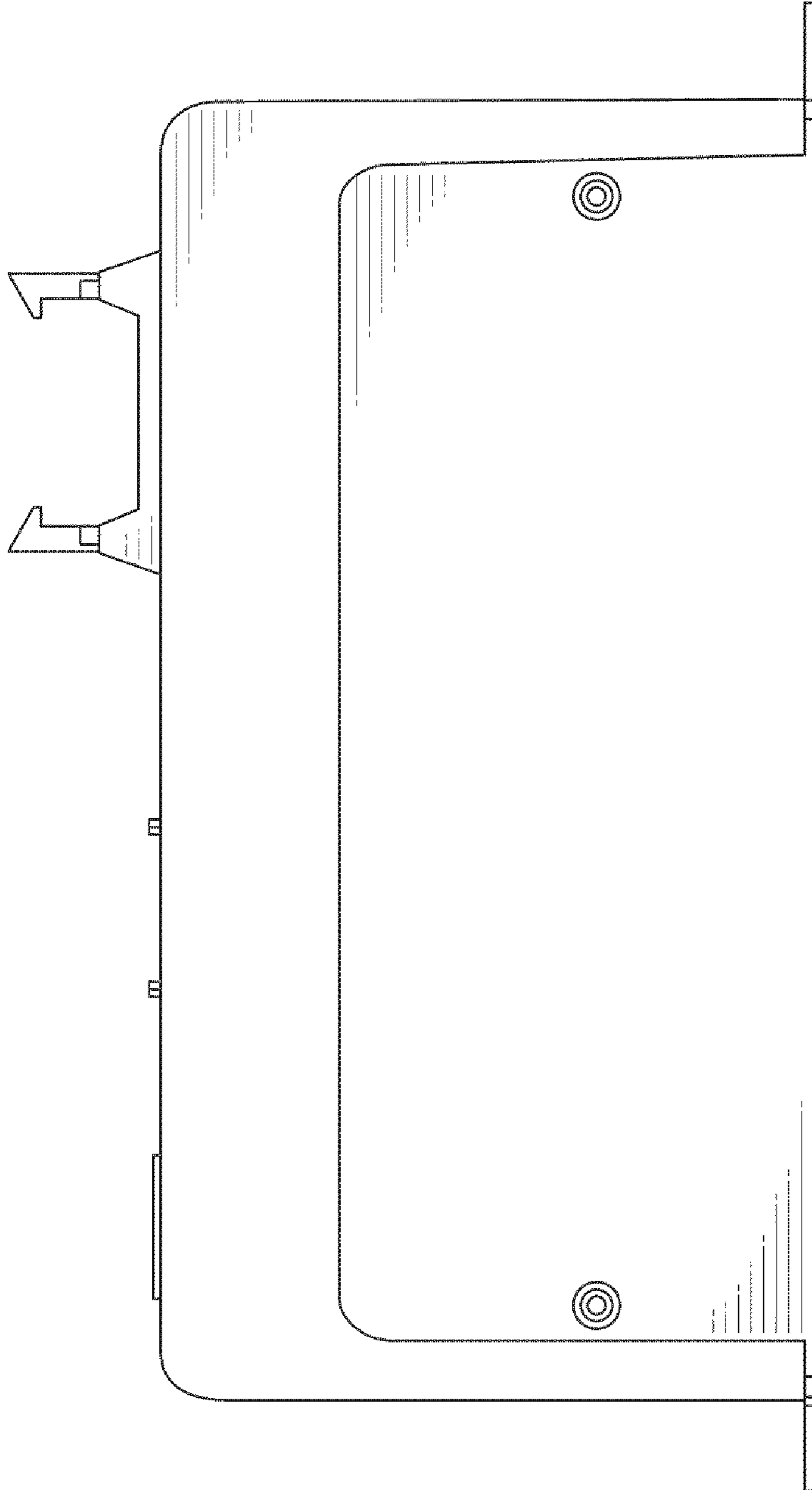


FIG. 4

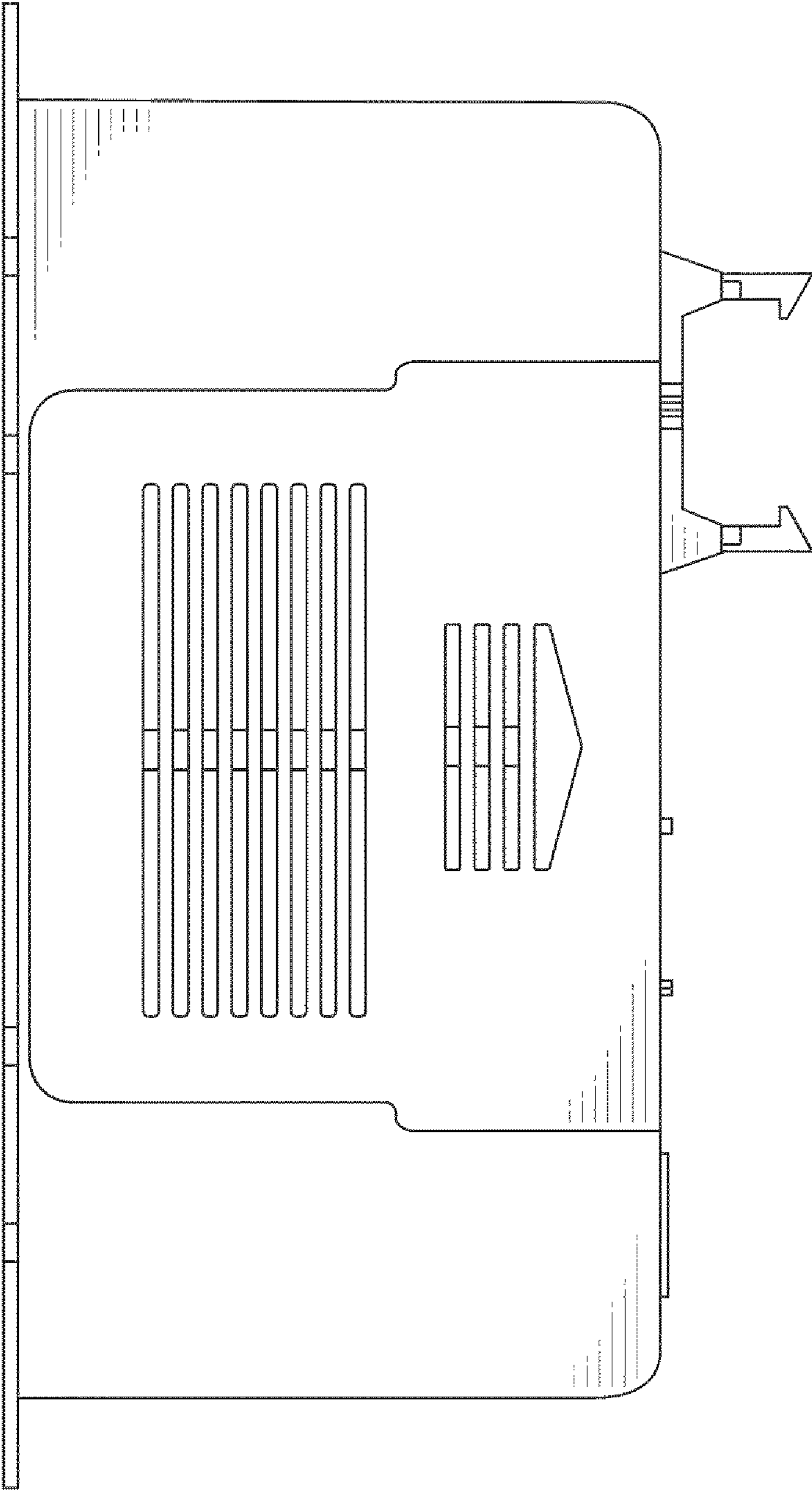


FIG. 5

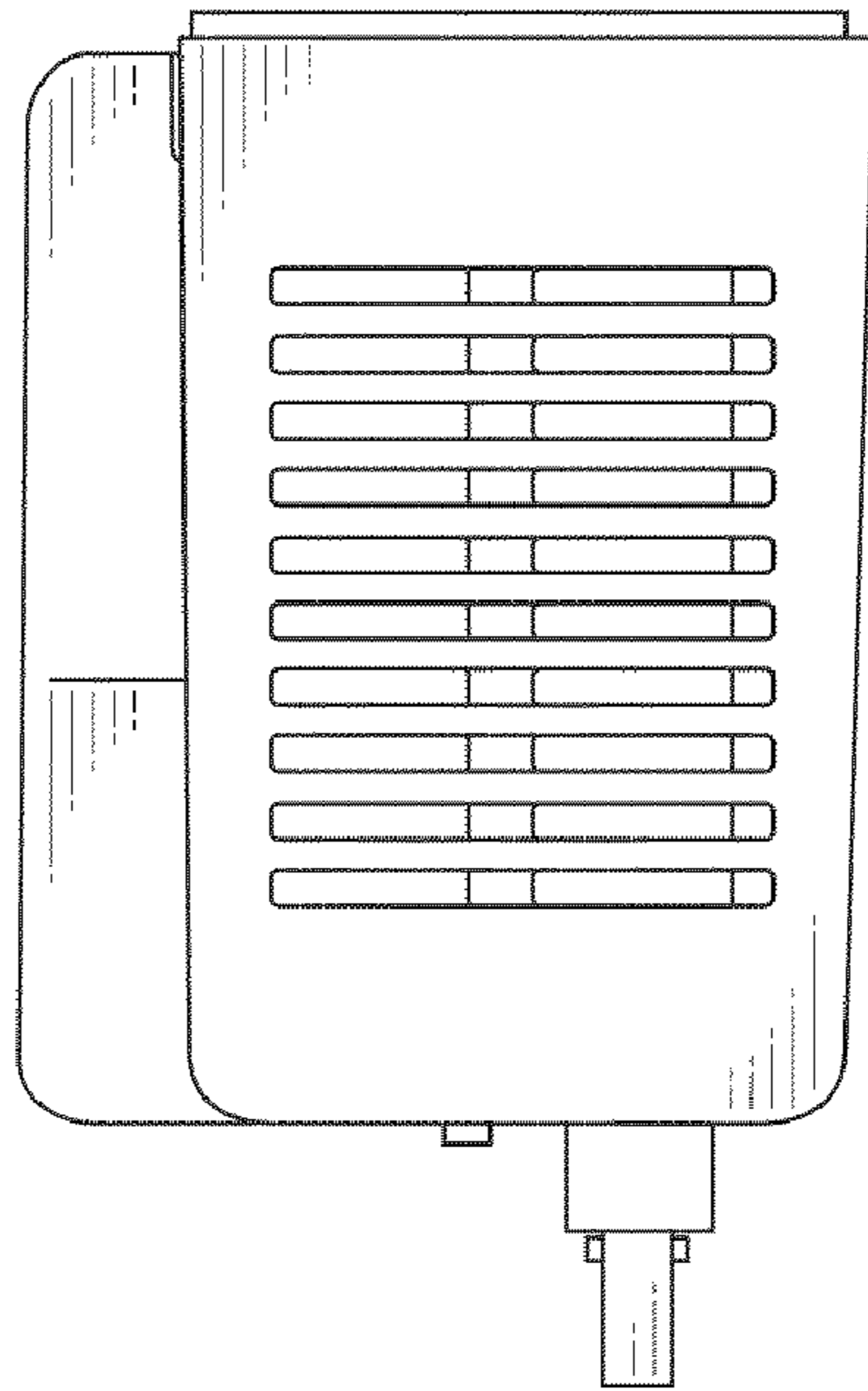


FIG. 6

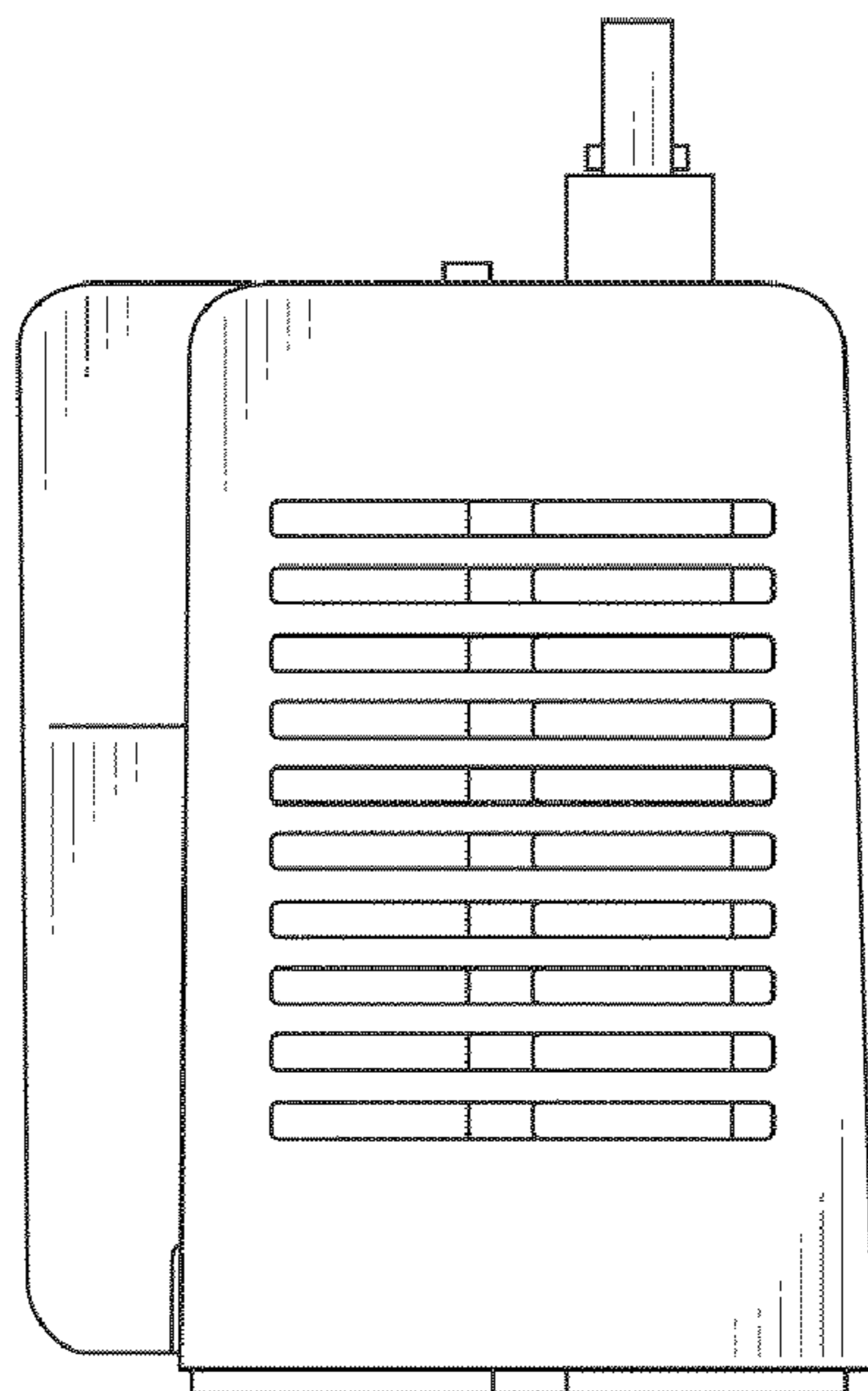


FIG. 7

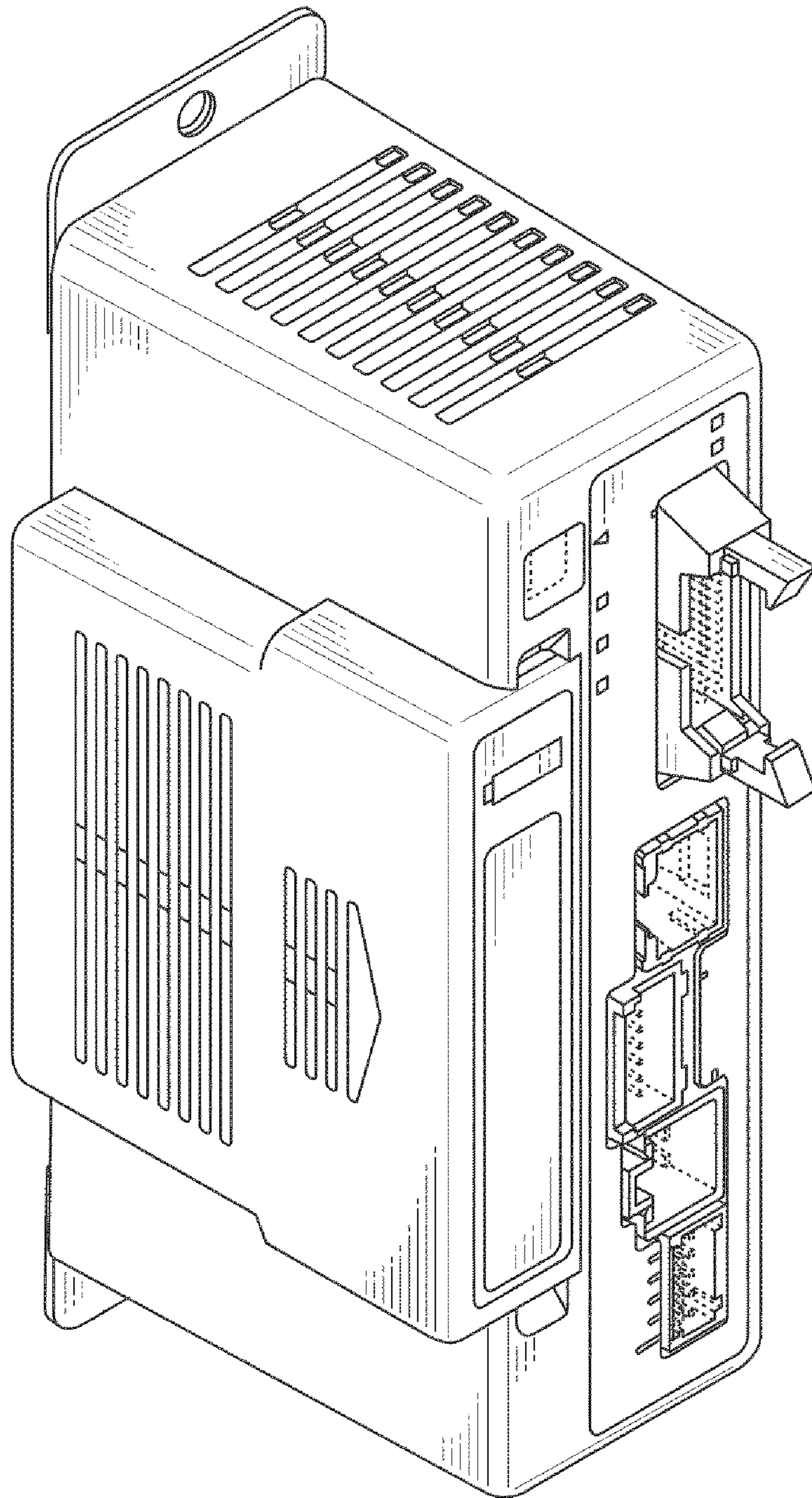


FIG. 8

