



US00D653217S

(12) **United States Design Patent**  
**Lee et al.**

(10) **Patent No.:** **US D653,217 S**  
(45) **Date of Patent:** **\*\* Jan. 31, 2012**

(54) **REMOTE JACK PACK**

(75) Inventors: **Eun Ji Lee**, Seoul (KR); **Deung Hwang Bo**, Seoul (KR)

(73) Assignee: **LG Electronics Inc.**, Seoul (KR)

(\*\*) Term: **14 Years**

(21) Appl. No.: **29/358,059**

(22) Filed: **Mar. 22, 2010**

(30) **Foreign Application Priority Data**

Sep. 23, 2009 (KR) ..... 30-2009-0042145

(51) **LOC (9) Cl.** ..... **13-03**

(52) **U.S. Cl.** ..... **D13/147**

(58) **Field of Classification Search** ..... D13/133,  
D13/146, 147, 152, 154, 155, 156, 162, 184,  
D13/199; 439/217, 246-248, 374, 376, 378-381,  
439/527, 535-536, 538, 540.1

See application file for complete search history.

(56) **References Cited**

**U.S. PATENT DOCUMENTS**

5,779,499 A \* 7/1998 Sette et al. .... 439/540.1  
D405,092 S \* 2/1999 Ohshima et al. .... D14/239  
D438,511 S \* 3/2001 Nishio et al. .... D13/147

D498,463 S \* 11/2004 Lin et al. .... D13/147  
D556,695 S \* 12/2007 Provenzano ..... D13/154  
D563,888 S \* 3/2008 Dever ..... D13/147

\* cited by examiner

*Primary Examiner* — Daniel Bui

(74) *Attorney, Agent, or Firm* — Birch, Stewart, Kolasch & Birch, LLP

(57) **CLAIM**

The ornamental design for a remote jack pack, as shown and described.

**DESCRIPTION**

FIG. 1 is a top, front, perspective view of a remote jack pack showing our new design;  
FIG. 2 is a front view thereof;  
FIG. 3 is a rear view thereof;  
FIG. 4 is a left side view thereof, the right side view being a same image thereof;  
FIG. 5 is a top plan view thereof, the bottom plan view being a same image thereof; and,  
FIG. 6 is a top, front perspective view thereof, on a smaller scale, and in use condition.  
The broken line shown in FIG. 6 is included for the purpose of illustrating environment and forms no part of the claimed design.

**1 Claim, 3 Drawing Sheets**

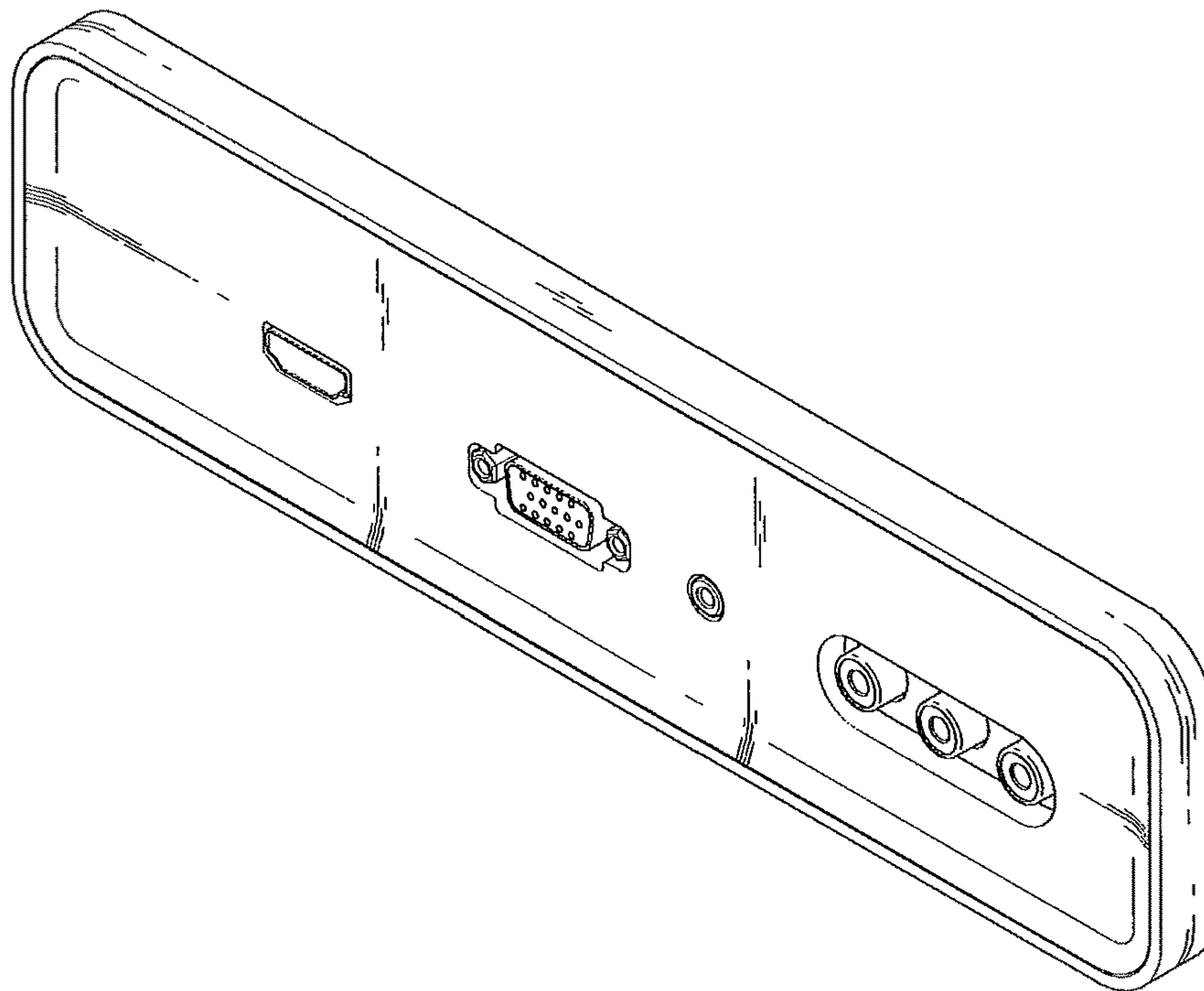


FIG. 1

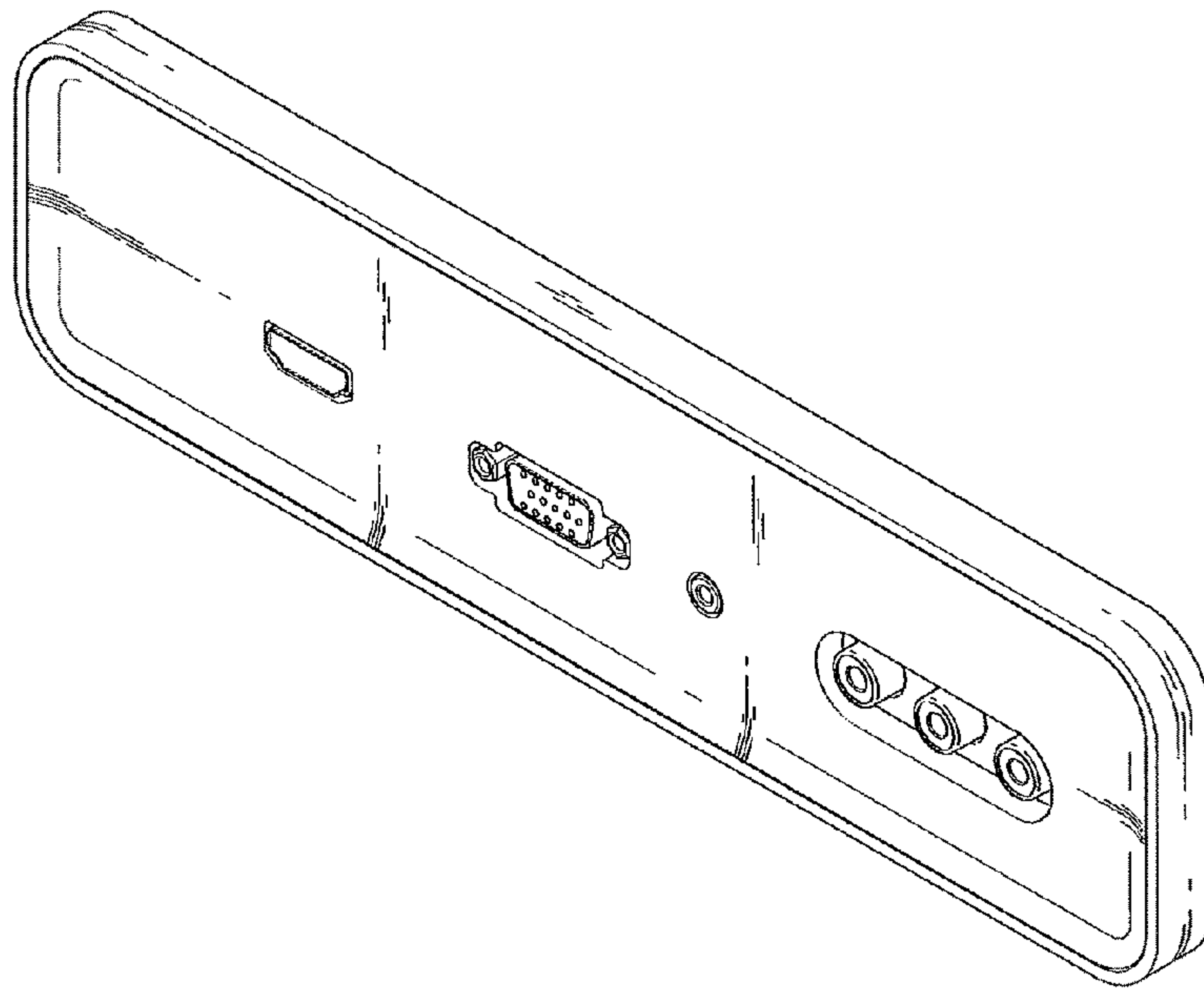


FIG. 2

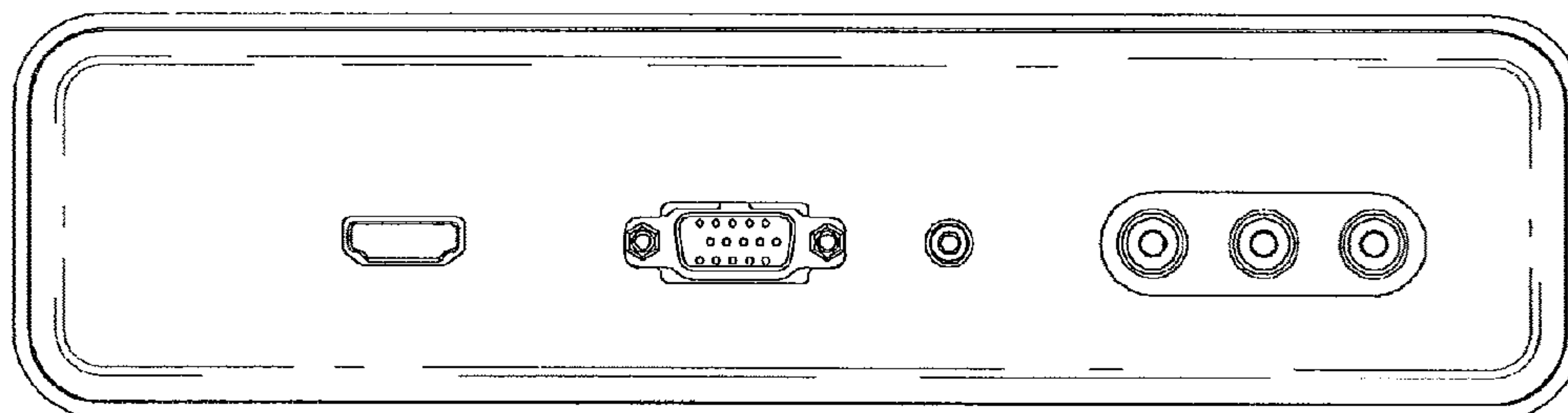


FIG. 3

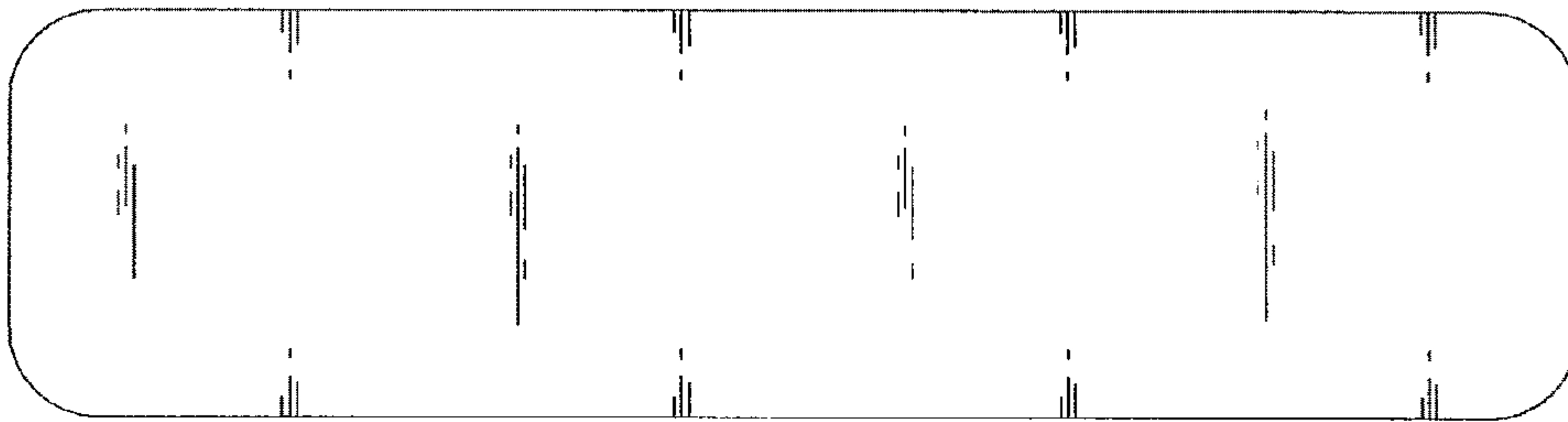


FIG. 4

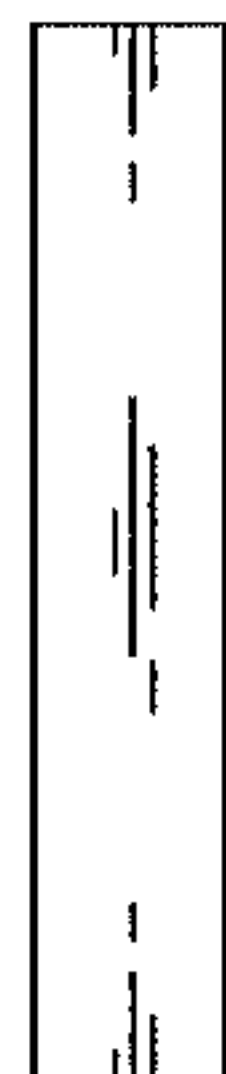


FIG. 5

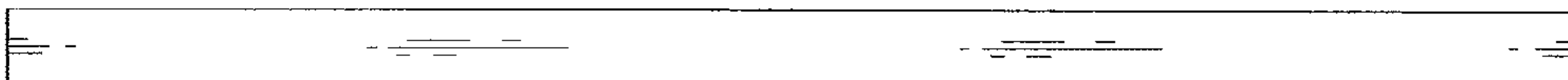


FIG. 6

