



US00D653214S

(12) **United States Design Patent**
Zou

(10) **Patent No.:** **US D653,214 S**
(45) **Date of Patent:** **** Jan. 31, 2012**

(54) **ELECTRICAL DEVICE**

(75) Inventor: **Bill Zou**, Zhongshan (CN)

(73) Assignee: **Zhongshan Kaper Electrical Co., Ltd.**
(CN)

(**) Term: **14 Years**

(21) Appl. No.: **29/392,400**

(22) Filed: **May 20, 2011**

(30) **Foreign Application Priority Data**

Nov. 22, 2010 (CN) 2010 3 0649789

(51) **LOC (9) Cl.** **13-03**

(52) **U.S. Cl.** **D13/138.2**

(58) **Field of Classification Search** D13/138.1,
D13/138.2, 139.1–139.8, 137.1–137.4, 133,
D13/107, 108, 110, 146, 147, 154, 174, 177,
D13/160; D8/353, 350; 363/15, 34, 146;
439/93, 105, 106, 535, 620.15, 620.21, 620.3,
439/620.31, 907, 908, 919, 650, 651, 652,
439/653, 654, 655, 692; 174/494, 53, 55,
174/59, 66; 320/111, 114, 115; 307/150,
307/151

See application file for complete search history.

(56) **References Cited**

U.S. PATENT DOCUMENTS

D356,066 S * 3/1995 Rao et al. D13/138.1
D360,401 S * 7/1995 Chen D13/138.1

5,661,623 A * 8/1997 McDonald et al. 361/42
D451,481 S * 12/2001 MacKay D13/160
D473,188 S * 4/2003 Cheah et al. D13/138.2
D483,721 S * 12/2003 Kim et al. D13/110
D511,468 S * 11/2005 Aromin D13/138.1
7,170,375 B2 * 1/2007 Chen et al. 335/177
D579,881 S * 11/2008 Aromin D13/160
D584,690 S * 1/2009 Hsiung D13/138.1
D633,869 S * 3/2011 Aromin et al. D13/138.1
D635,937 S * 4/2011 Aromin et al. D13/160
2008/0094764 A1 * 4/2008 Zhang et al. 361/42

* cited by examiner

Primary Examiner — Angela J Lee

(74) *Attorney, Agent, or Firm* — Lerner, David, Littenberg,
Krumholz & Mentlik, LLP

(57) **CLAIM**

The ornamental design for an electrical device, as shown and described.

DESCRIPTION

FIG. 1 is a perspective view of an electrical device showing my new design;
FIG. 2 is a top plan view thereof;
FIG. 3 is a bottom plan view thereof;
FIG. 4 is a right side elevational view thereof;
FIG. 5 is a left side elevational view thereof; and,
FIG. 6 is a front elevational view thereof, the rear elevational view being a mirror image thereof.
The portions of the electrical device shown in broken lines form no part of the claimed design.

1 Claim, 4 Drawing Sheets

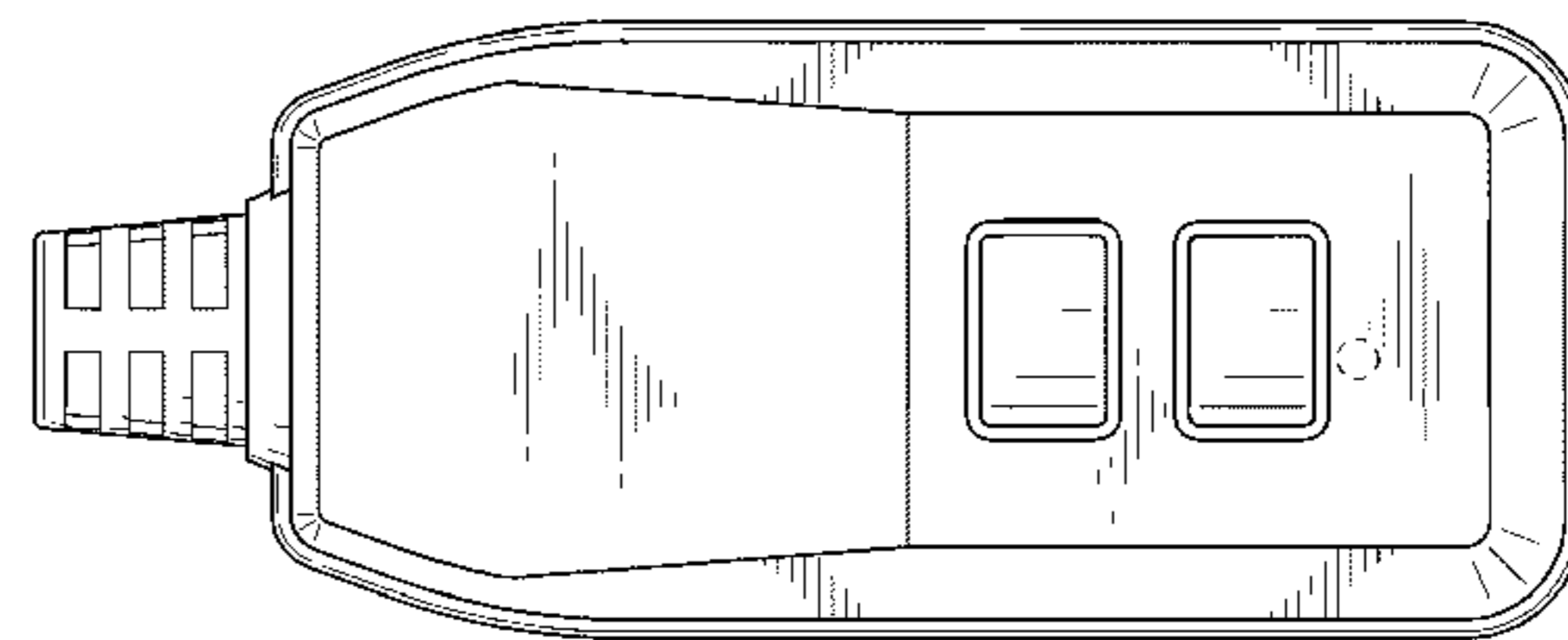
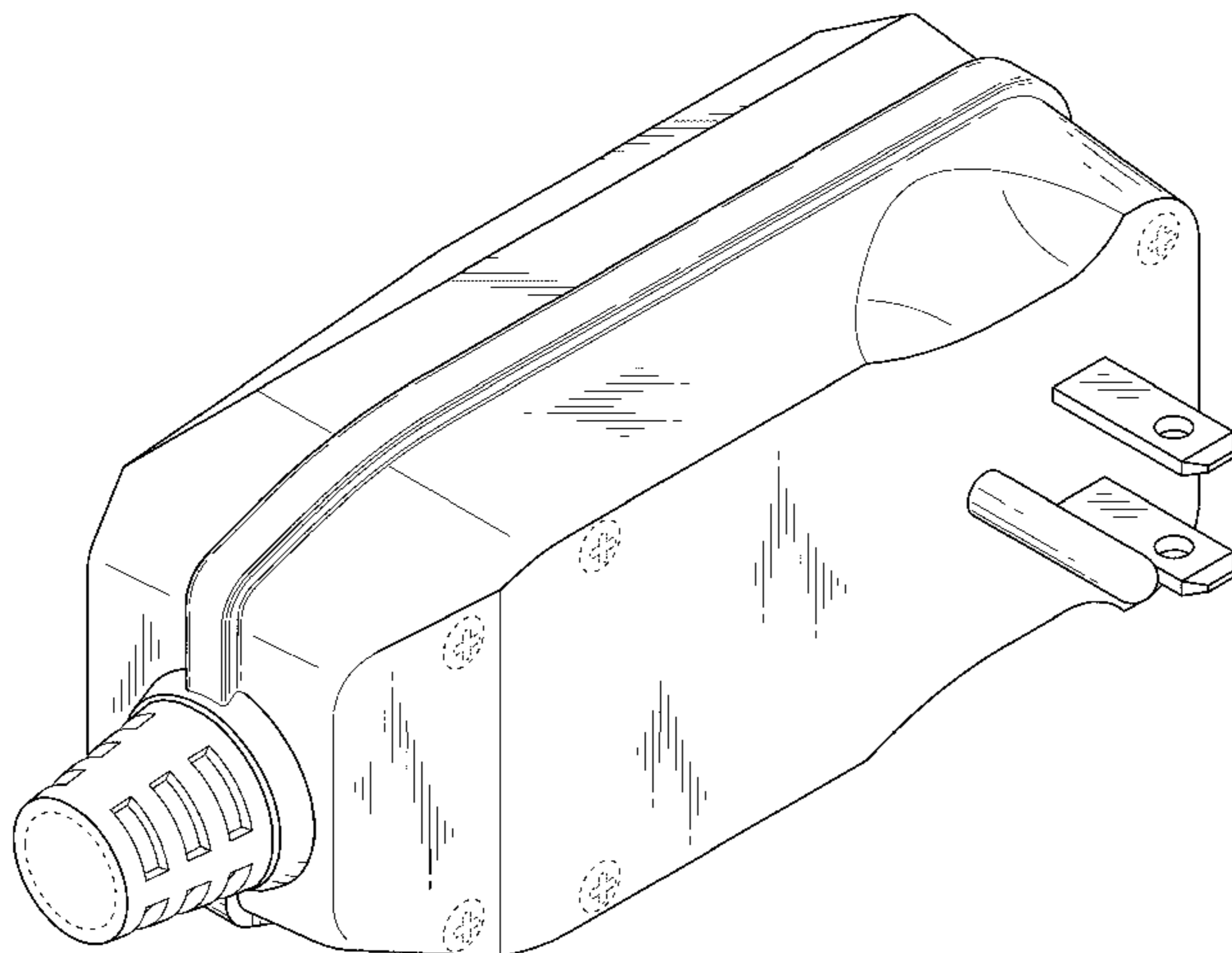


FIG. 1

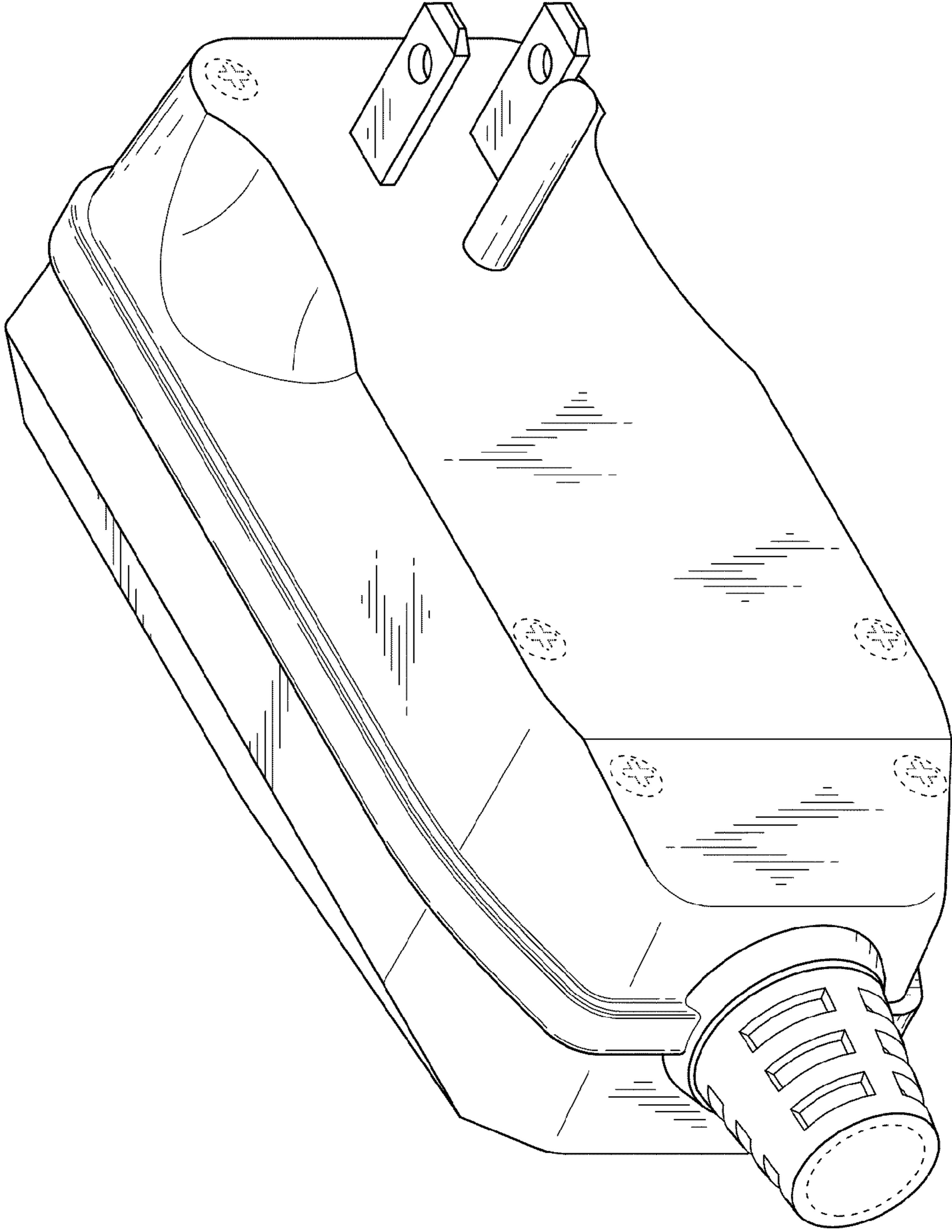


FIG. 2

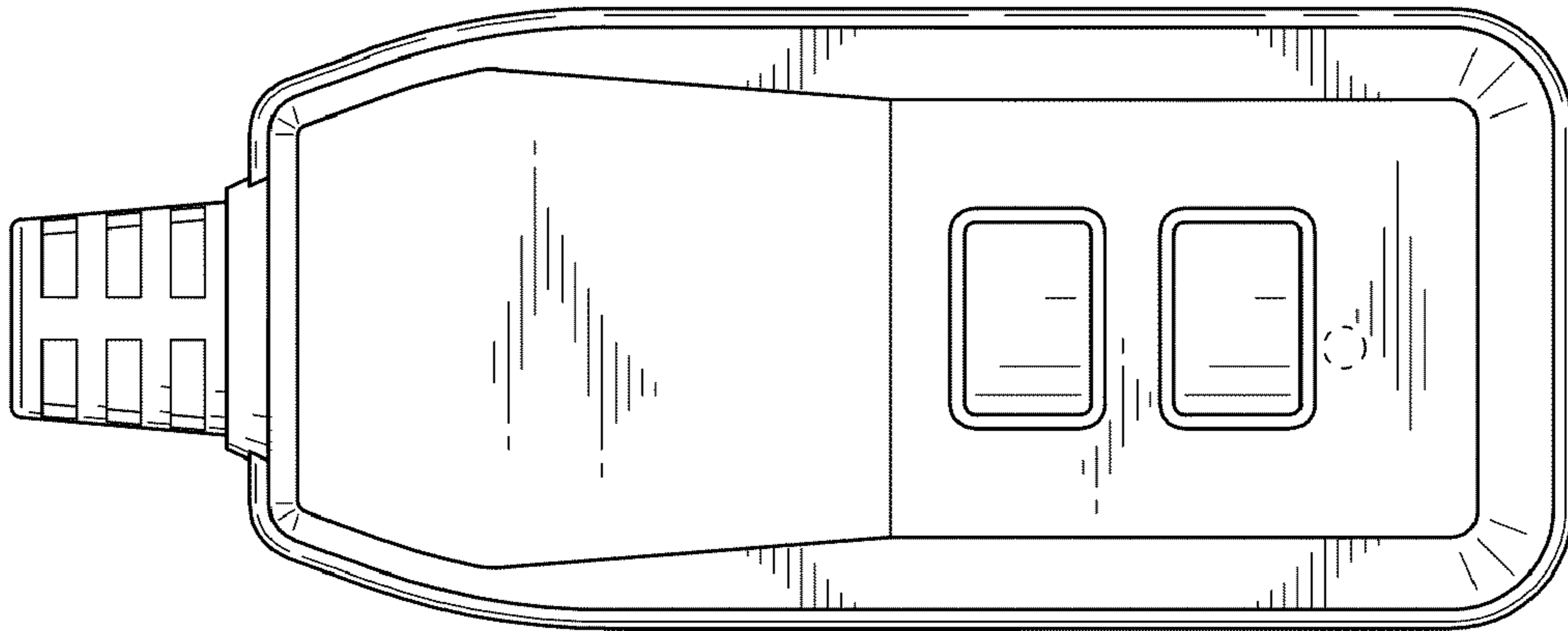


FIG. 3

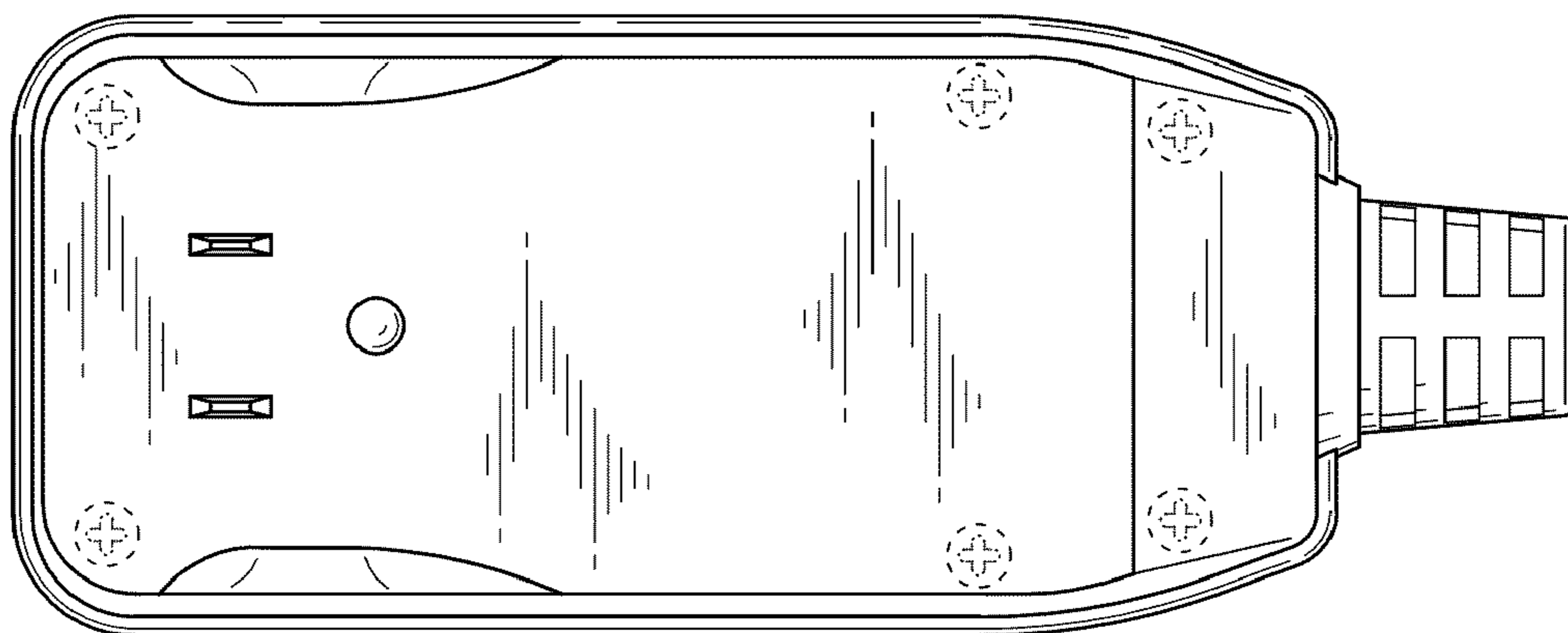


FIG. 4

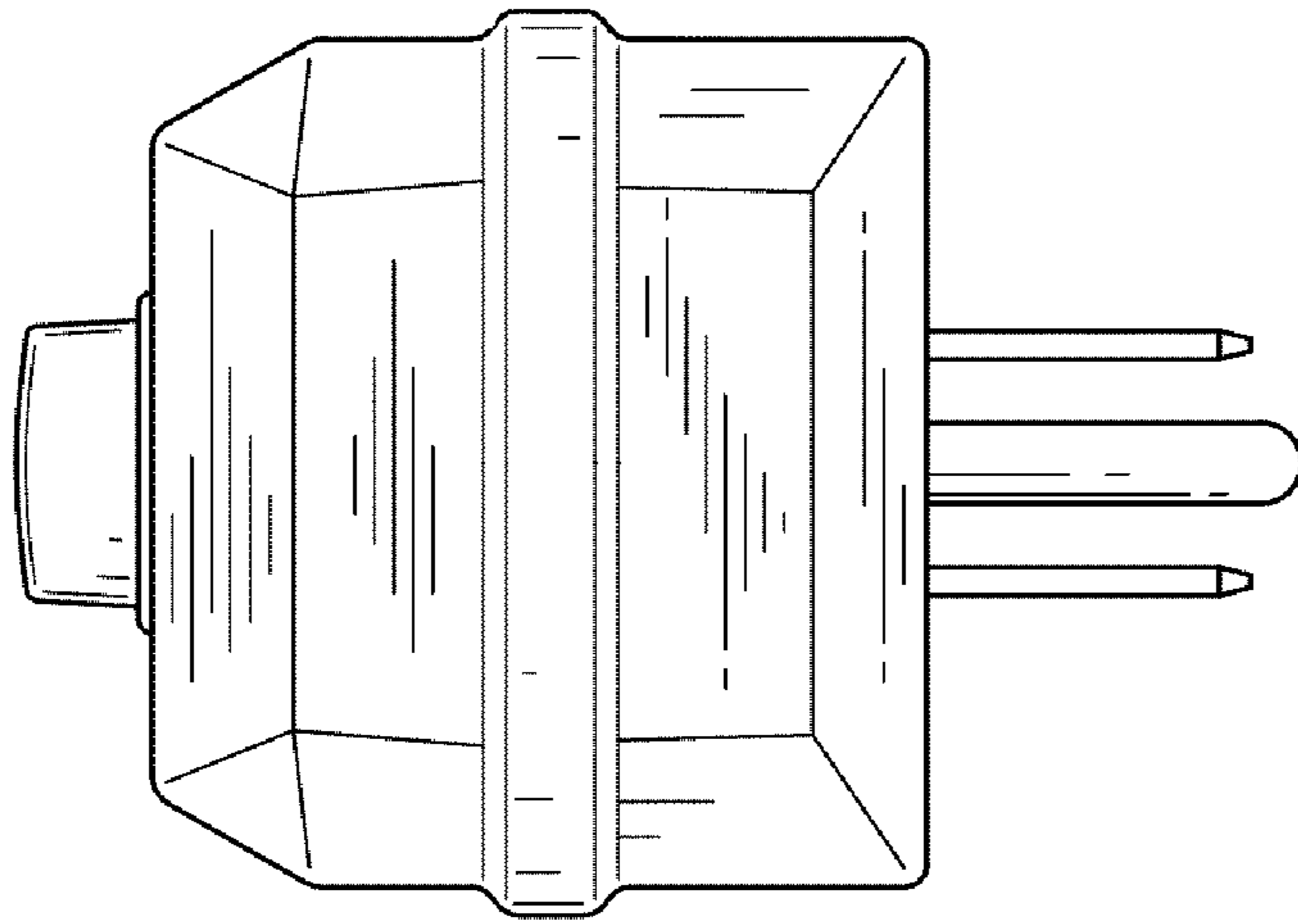


FIG. 5

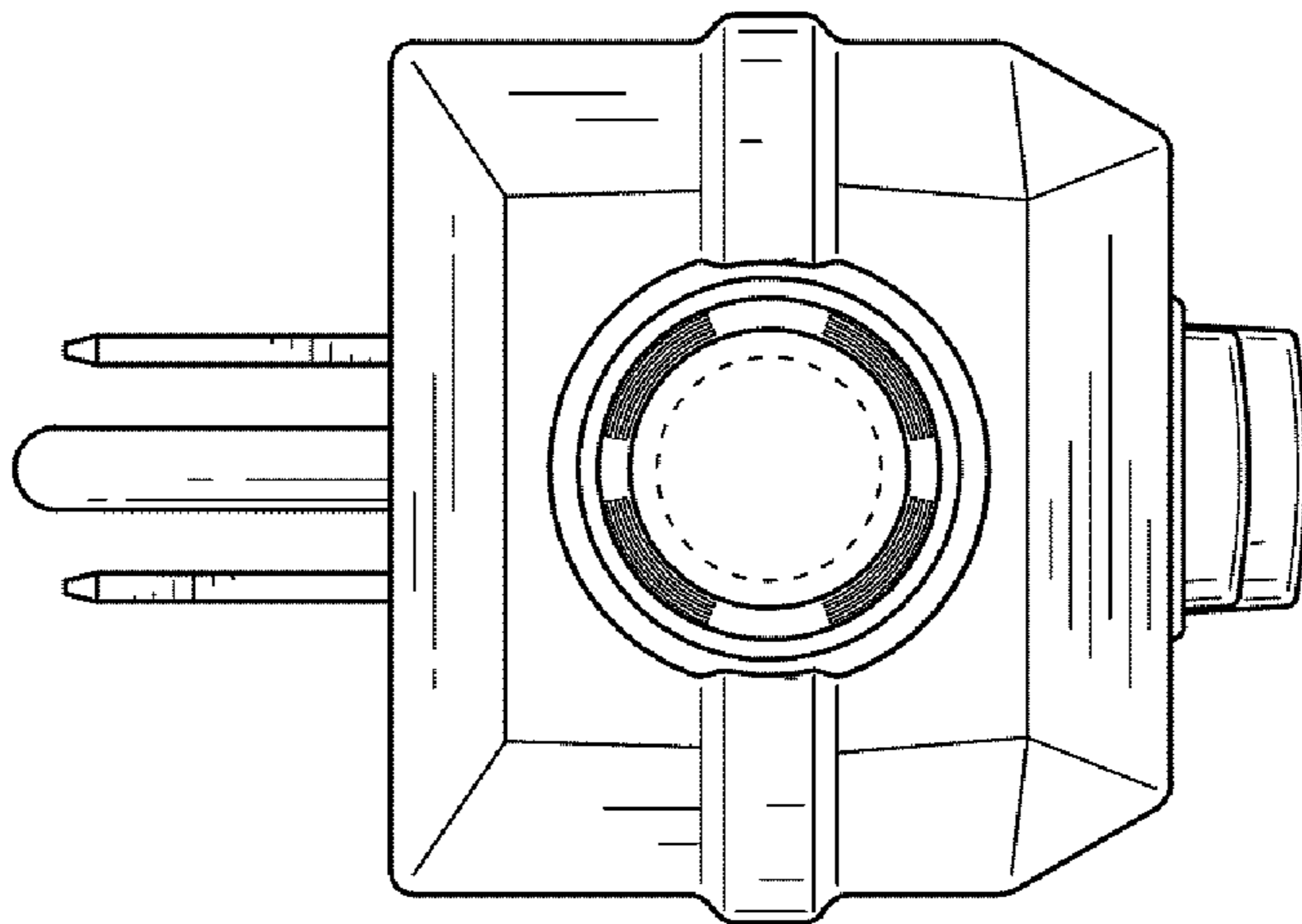


FIG. 6

