



US00D653213S

(12) **United States Design Patent**
Andre et al.

(10) **Patent No.:** **US D653,213 S**
(45) **Date of Patent:** **** *Jan. 31, 2012**

(54) **POWER MODULE**

(75) Inventors: **Bartley K. Andre**, Menlo Park, CA (US); **Daniel J. Coster**, San Francisco, CA (US); **Daniele De Iuliis**, San Francisco, CA (US); **Evans Hankey**, San Francisco, CA (US); **Richard P. Howarth**, San Francisco, CA (US); **Jonathan P. Ive**, San Francisco, CA (US); **Duncan Robert Kerr**, San Francisco, CA (US); **Shin Nishibori**, Portola Valley, CA (US); **Matthew Dean Rohrbach**, San Francisco, CA (US); **Peter Russell-Clarke**, San Francisco, CA (US); **Douglas B. Satzger**, Menlo Park, CA (US); **Christopher J. Stringer**, Woodside, CA (US); **Eugene Antony Whang**, San Francisco, CA (US); **Rico Zörkendörfer**, San Francisco, CA (US)

D13/154, 107, 108, 110, 162, 170; 363/15, 363/34, 146; 439/93, 105, 119, 149, 225, 363/521, 535, 583, 866, 919; D8/353; 174/493, 174/494, 53, 59, 60, 66, 67; 320/111, 114, 320/115; D9/432

See application file for complete search history.

(56) **References Cited**

U.S. PATENT DOCUMENTS

D138,086 S	6/1944	Ludwig
D258,429 S	3/1981	Buckler
D375,080 S	10/1996	Sandor et al.
5,761,021 A	6/1998	Yu
D405,765 S	2/1999	Yu

(Continued)

OTHER PUBLICATIONS

“USB Charger for iPhone 3G—Original”, <http://www.ucables.com/ref/USB-CHARGER-IPHONE-3G-r73467>, downloaded Dec. 7, 2009.

Primary Examiner — Angela J Lee

(74) *Attorney, Agent, or Firm* — Sterne, Kessler, Goldstein & Fox PLLC

(73) Assignee: **Apple Inc.**, Cupertino, CA (US)

(*) Notice: This patent is subject to a terminal disclaimer.

(**) Term: **14 Years**

(21) Appl. No.: **29/367,919**

(22) Filed: **Aug. 16, 2010**

Related U.S. Application Data

(63) Continuation of application No. 29/354,990, filed on Feb. 1, 2010, now Pat. No. Des. 623,136, which is a continuation of application No. 29/319,237, filed on Jun. 5, 2008, now Pat. No. Des. 611,415.

(51) **LOC (9) Cl.** **13-03**

(52) **U.S. Cl.** **D13/138.1**

(58) **Field of Classification Search** D13/138.1, D13/138.2, 139.1, 139.2, 139.3, 139.4, 139.5, D13/139.6, 139.7, 139.8, 137.1, 137.2, 137.3, D13/137.4, 133, 146, 147, 151, 152, 153,

(57) **CLAIM**

The ornamental design for a power module, as shown and described.

DESCRIPTION

FIG. 1 is a top perspective view of a power module showing our new design;

FIG. 2 is a bottom perspective view thereof;

FIG. 3 is a side view thereof;

FIG. 4 is another side view thereof;

FIG. 5 is another side view thereof;

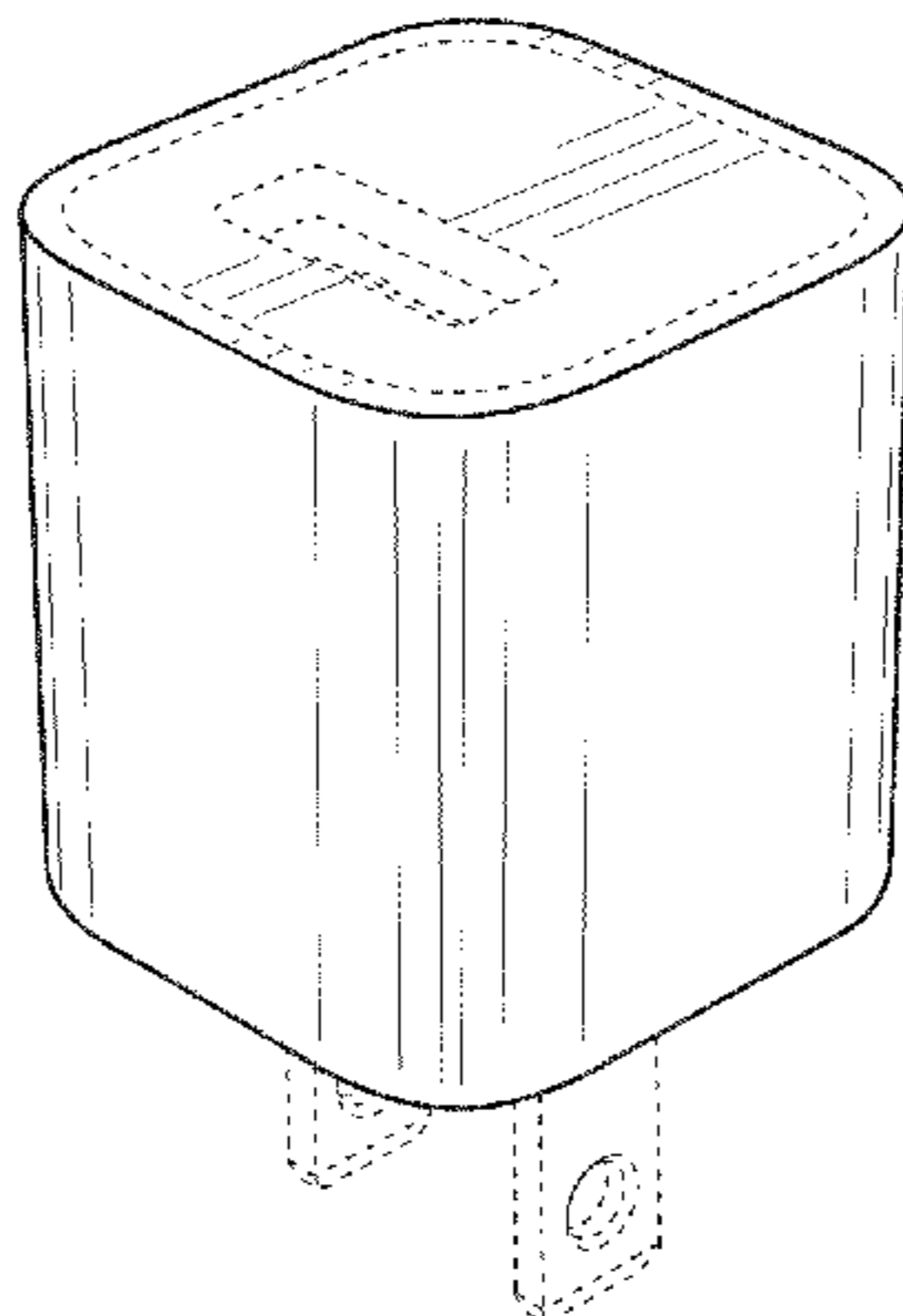
FIG. 6 is another side view thereof;

FIG. 7 is a bottom plan view thereof; and,

FIG. 8 is a top plan view thereof.

The broken lines showing portions of the power module are for the purpose of illustrating portions of the power module that form no part of the claimed design.

1 Claim, 2 Drawing Sheets



US D653,213 S

Page 2

U.S. PATENT DOCUMENTS

D436,078 S	1/2001	Korte	
D461,187 S *	8/2002	Andre et al.	D14/356
D487,870 S *	3/2004	Stewart et al.	D9/782
D503,679 S	4/2005	Andre et al.	
D521,936 S	5/2006	Novotney et al.	
D522,463 S	6/2006	Novotney et al.	
D542,288 S *	5/2007	Andre et al.	D14/314
D552,034 S	10/2007	Hobson et al.	
D558,572 S *	1/2008	Andre et al.	D9/432
D572,712 S	7/2008	Ledbetter et al.	
D573,946 S	7/2008	Ledbetter et al.	
D576,486 S *	9/2008	Koza	D9/432
D579,876 S	11/2008	Novotney et al.	
D583,316 S	12/2008	Säde et al.	
D587,192 S	2/2009	McGinley et al.	
D587,193 S	2/2009	McGinley et al.	
D593,505 S	6/2009	Fimbres	
D595,223 S	6/2009	Yamamoto et al.	
D595,224 S	6/2009	Seil et al.	
D596,572 S	7/2009	Wu et al.	
D601,097 S	9/2009	Novotney et al.	
D601,500 S	10/2009	Green et al.	
D601,501 S	10/2009	Kaibara et al.	
D602,430 S	10/2009	Green et al.	
D610,992 S	3/2010	Fahrendorff et al.	
D610,993 S	3/2010	Fahrendorff et al.	
D610,994 S	3/2010	Fahrendorff et al.	
D611,409 S	3/2010	Green et al.	
D611,415 S *	3/2010	Andre et al.	D13/138.1
D613,691 S *	4/2010	Fahrendorff et al.	D13/133
D615,556 S *	5/2010	Yeo et al.	D14/496
D620,953 S *	8/2010	Andre et al.	D14/496
D621,397 S *	8/2010	Andre et al.	D14/314
D623,136 S *	9/2010	Andre et al.	D13/138.1
D624,548 S *	9/2010	Yamamoto	D14/433
D627,729 S *	11/2010	Smith et al.	D13/138.1
D629,827 S *	12/2010	Morenstein et al.	D16/221
2009/0289596 A1	11/2009	Mcginley et al.	

* cited by examiner

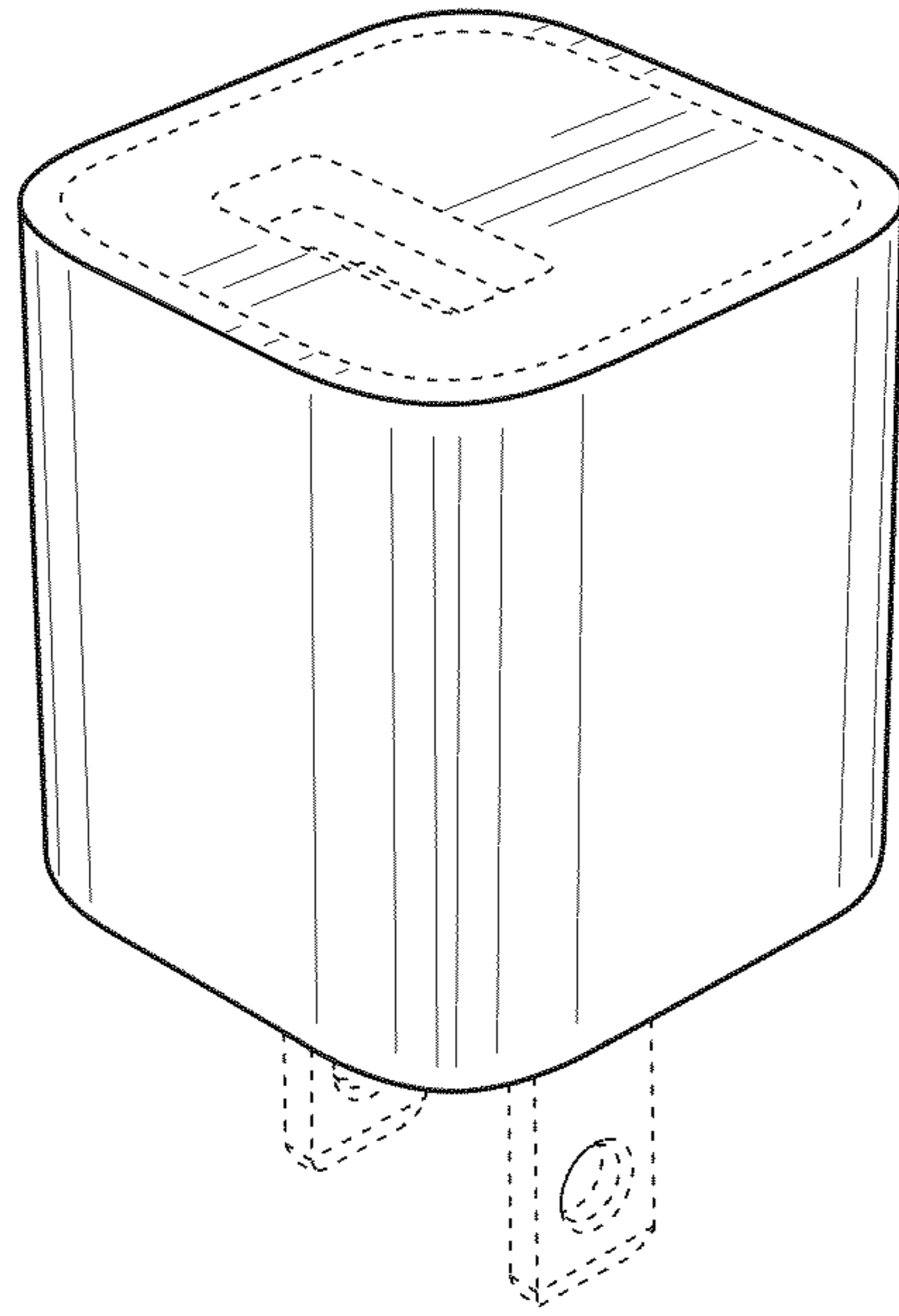


FIG. 1

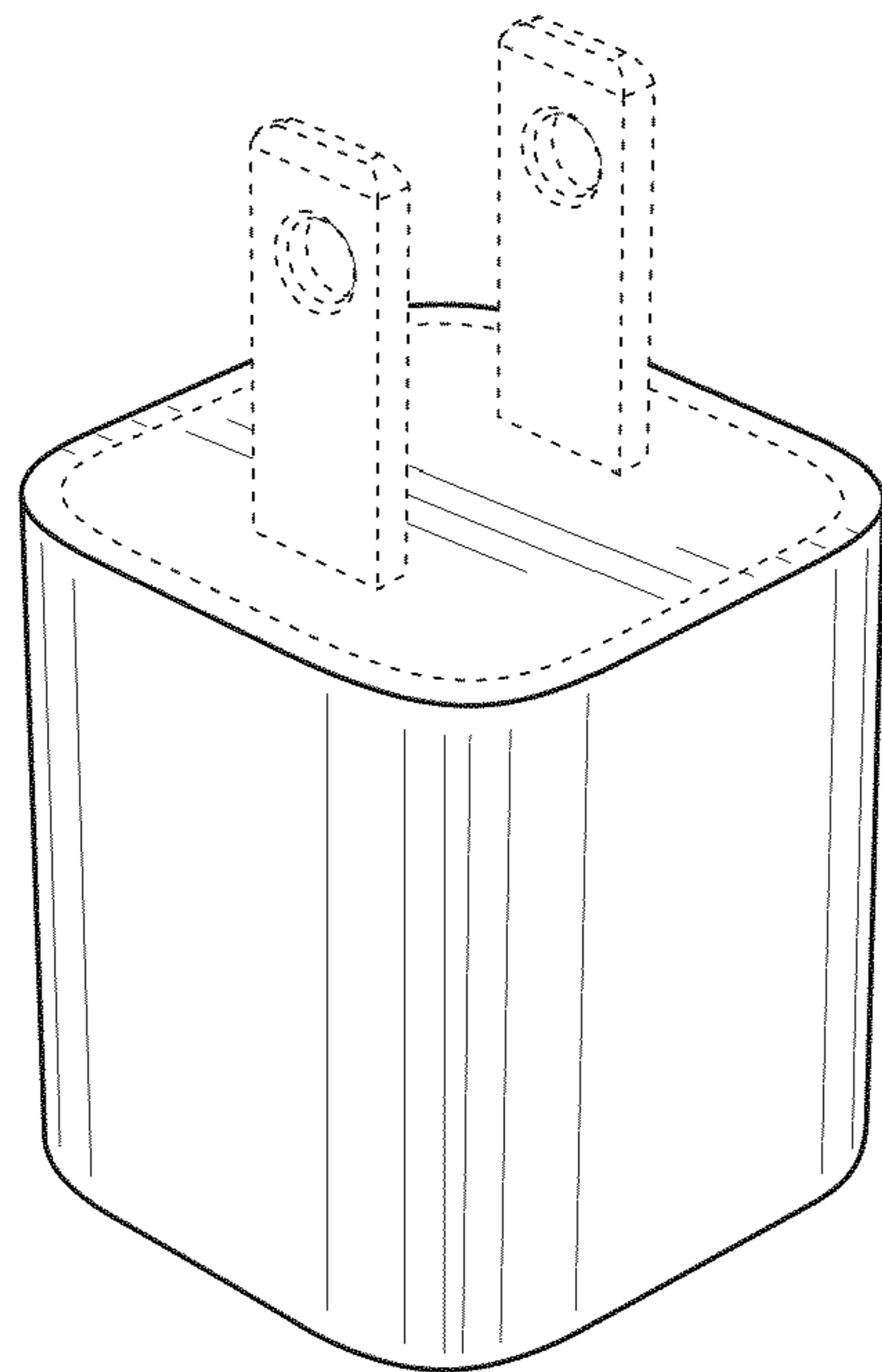


FIG. 2

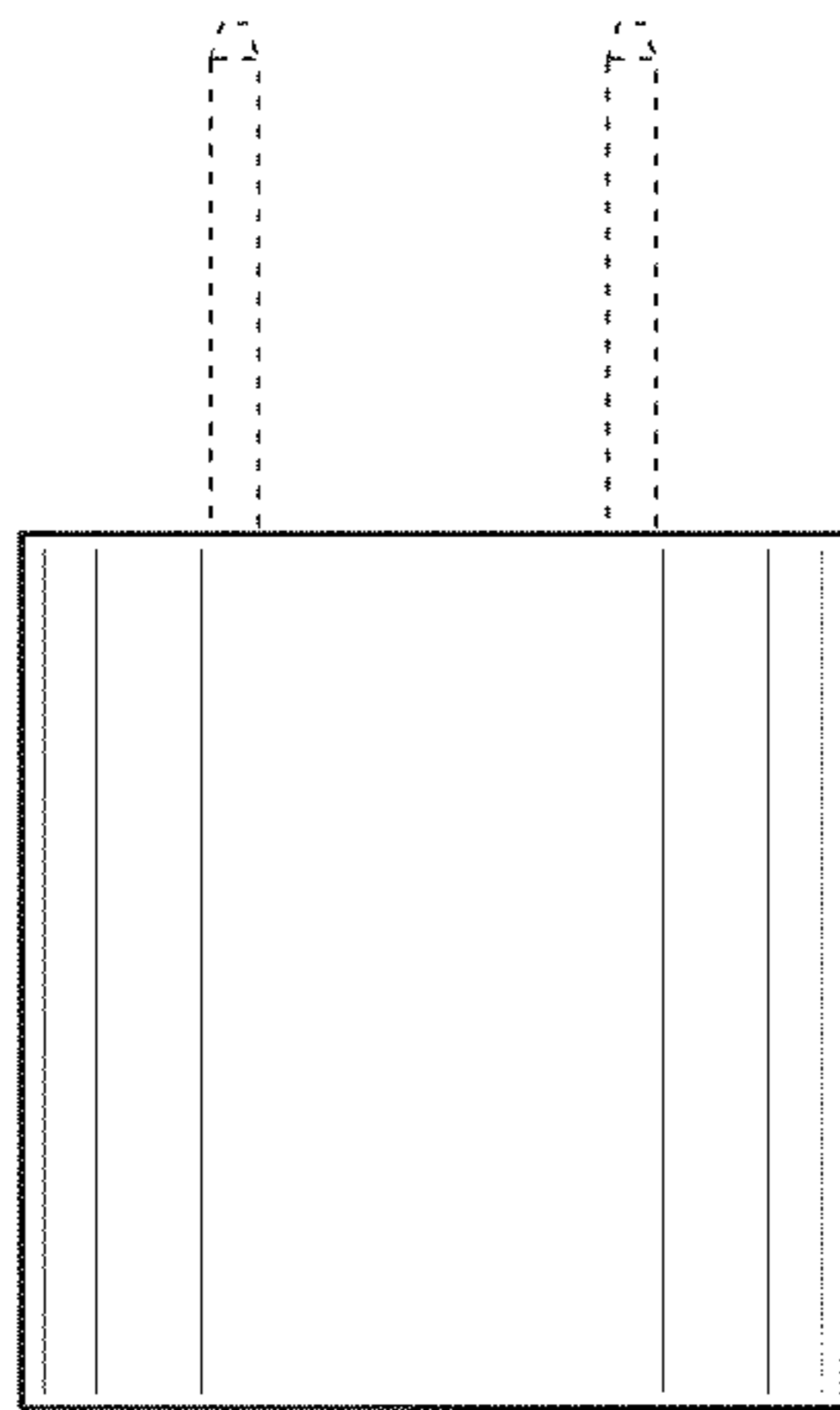


FIG. 3

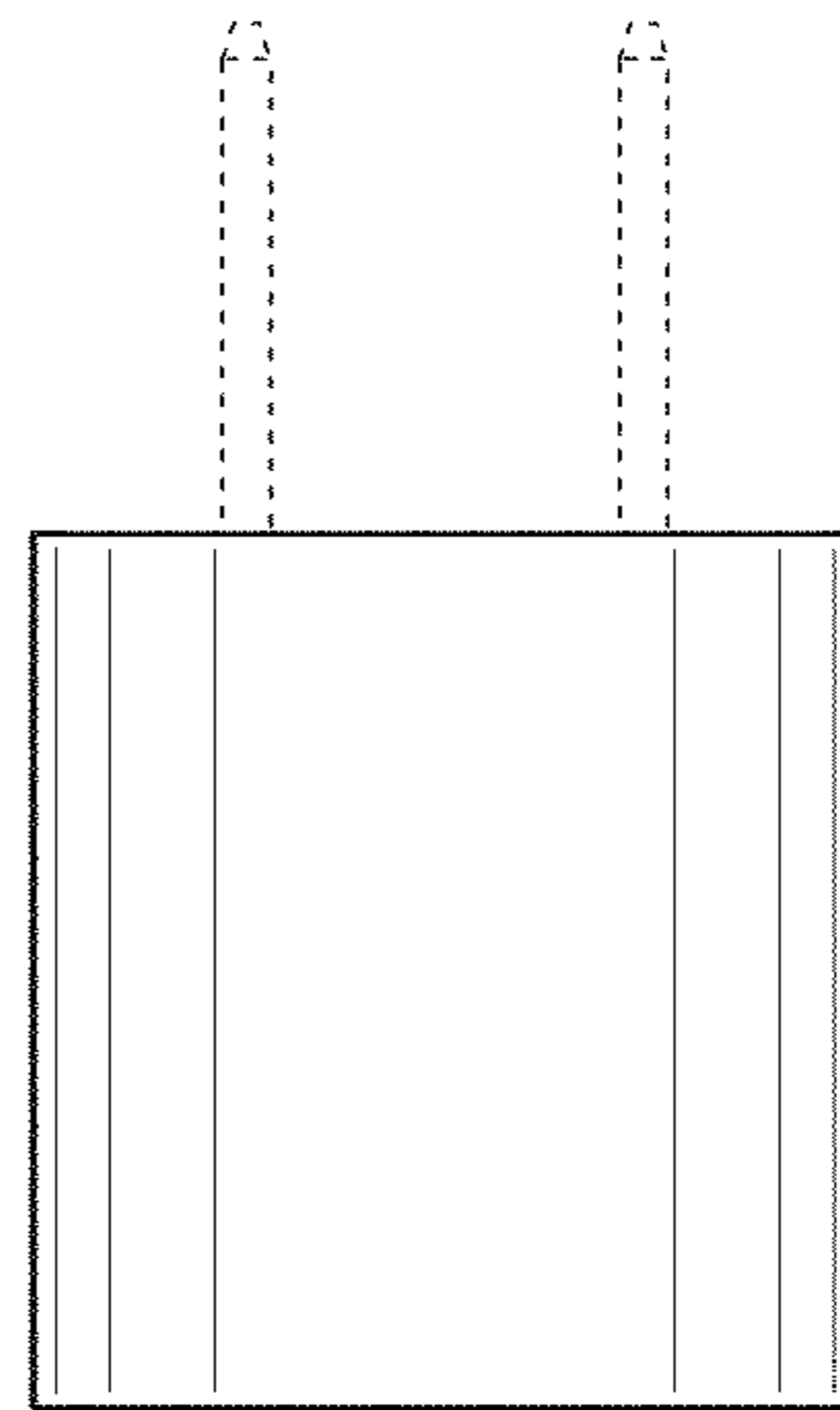


FIG. 4

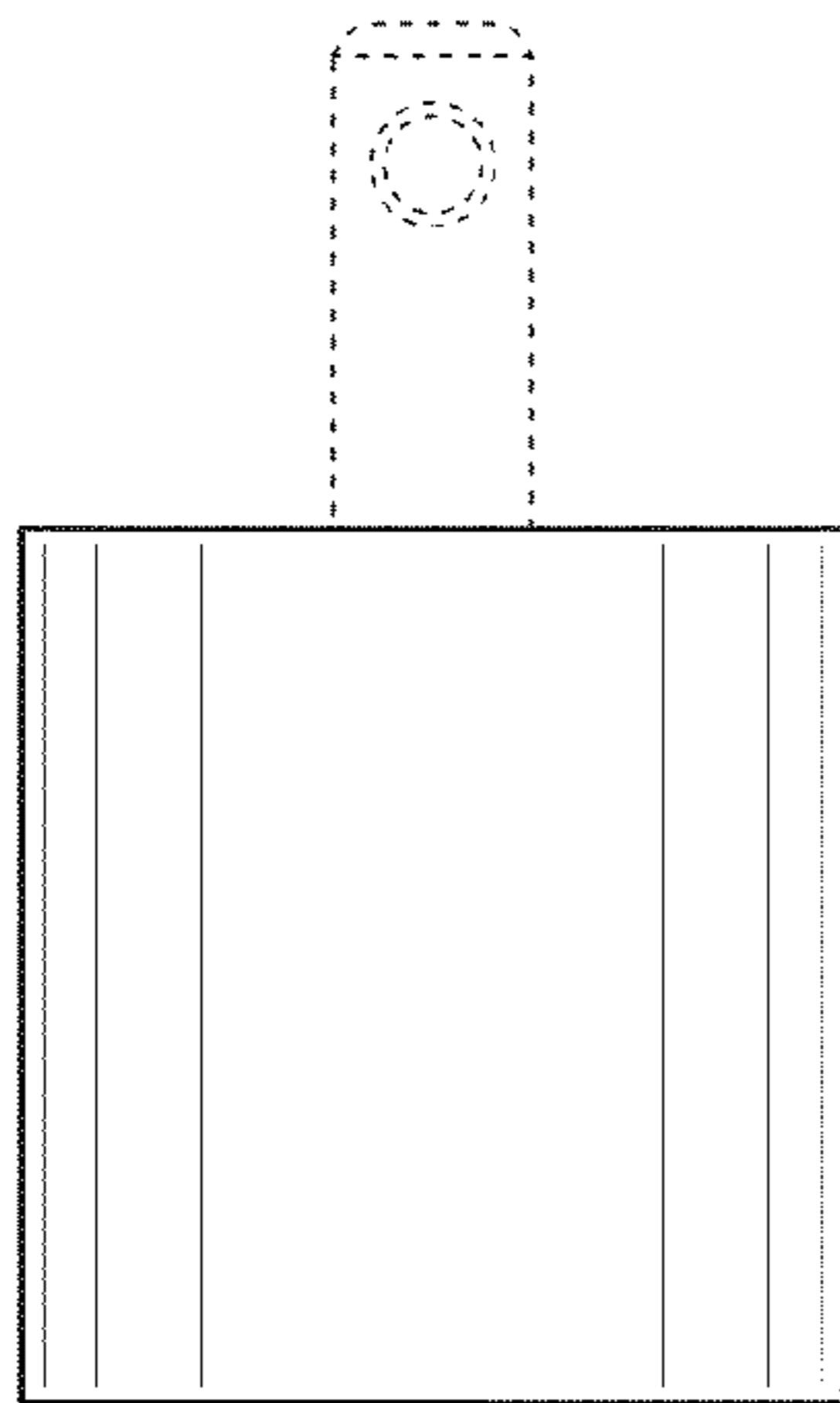


FIG. 5

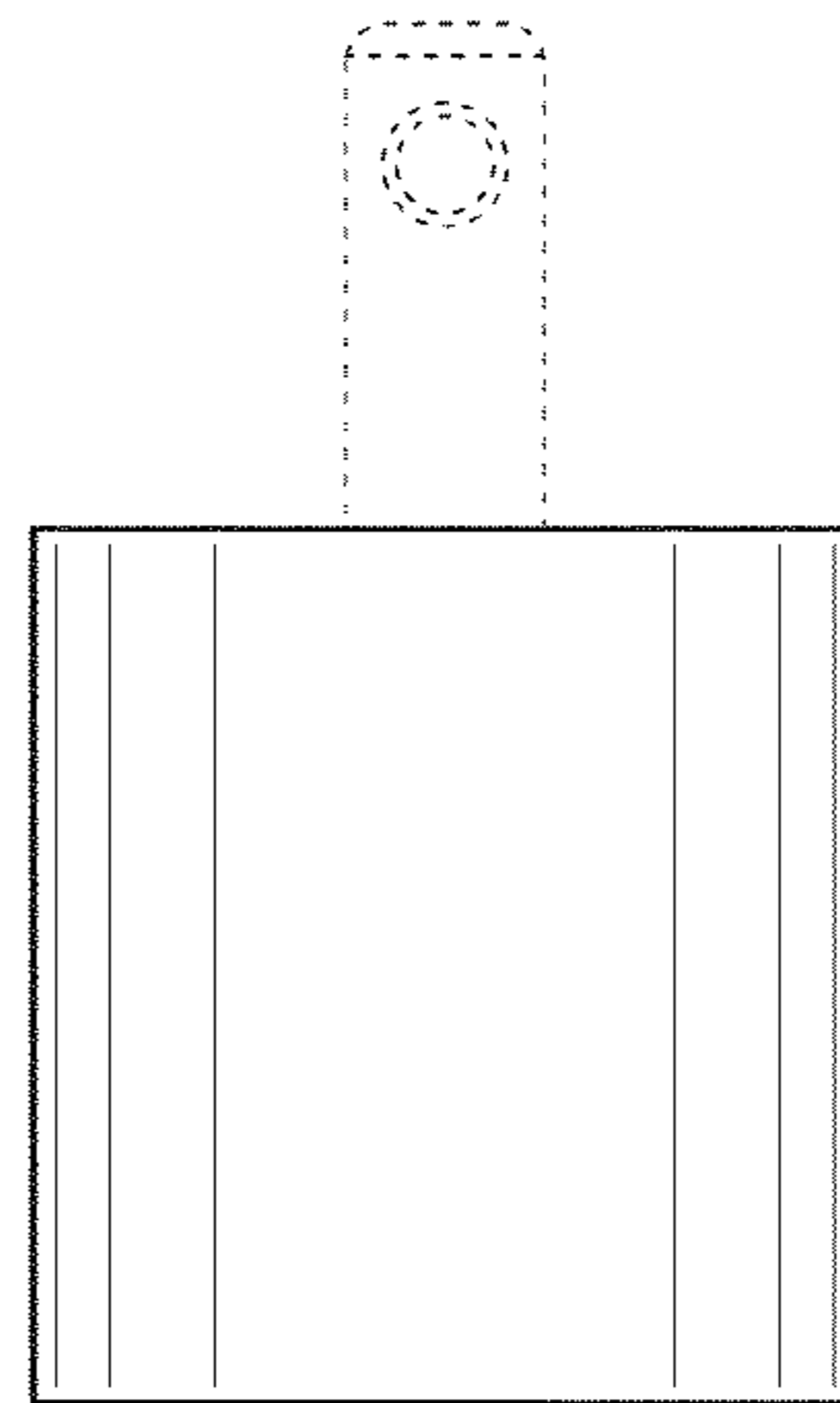


FIG. 6

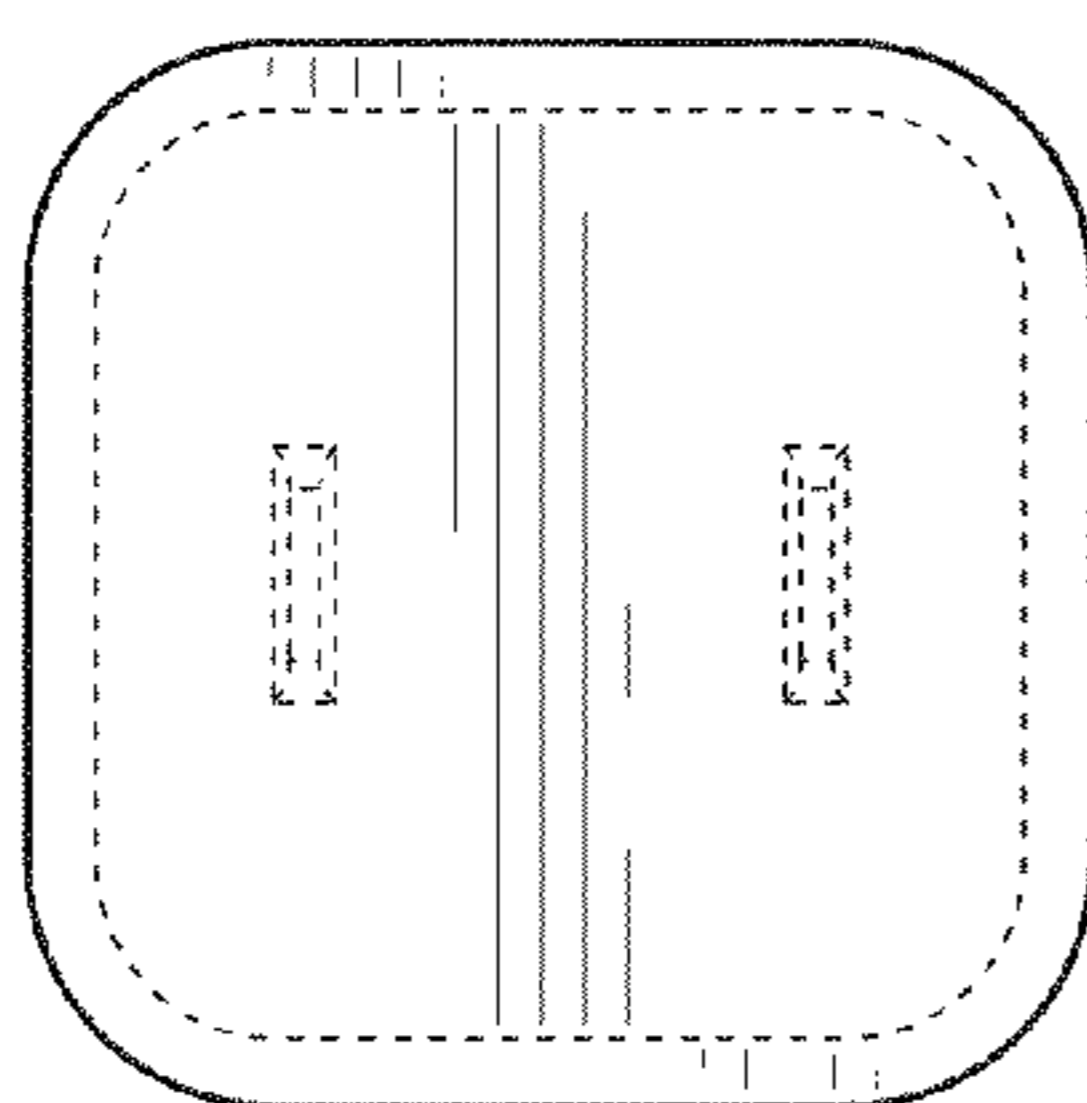


FIG. 7

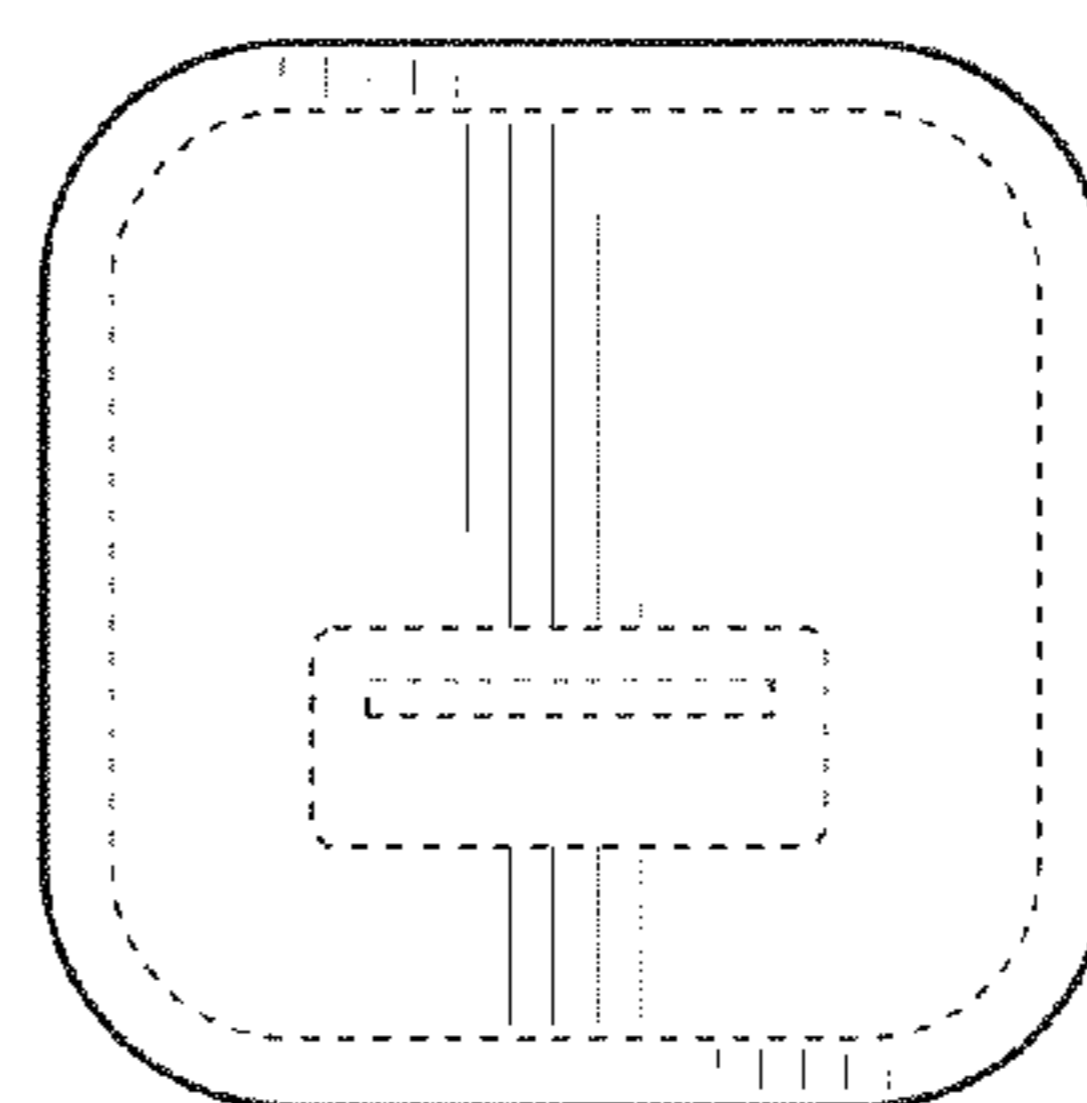


FIG. 8