



US00D653212S

(12) **United States Design Patent**  
**Yuan et al.**

(10) **Patent No.:** **US D653,212 S**  
(45) **Date of Patent:** **\*\* Jan. 31, 2012**

(54) **ASSEMBLY WITH METAL FRAMES AND LIGHT PIPES**

(75) Inventors: **Wei Yuan**, Shenzhen (CN); **Xian-Feng Dong**, Shenzhen (CN)

(73) Assignee: **Hon Hai Precision Ind. Co., Ltd.**, New Taipei (TW)

(\*\*) Term: **14 Years**

(21) Appl. No.: **29/359,091**

(22) Filed: **Apr. 6, 2010**

(30) **Foreign Application Priority Data**

Dec. 2, 2009 (CN) ..... 2009 3 0327690

(51) **LOC (9) Cl.** ..... **13-03**

(52) **U.S. Cl.** ..... **D13/133**

(58) **Field of Classification Search** ..... D13/133,  
D13/147, 154, 155, 156, 184, 199; 439/125,  
439/226, 230, 235, 237, 527, 533, 538, 540.1,  
439/541, 892, 894

See application file for complete search history.

(56) **References Cited**

**U.S. PATENT DOCUMENTS**

D337,307 S \* 7/1993 Suzuki ..... D13/147  
D422,968 S \* 4/2000 Tsai et al. .... D13/147

D438,512 S \* 3/2001 Nishio et al. .... D13/147  
D438,842 S \* 3/2001 Nishio et al. .... D13/147  
D545,767 S \* 7/2007 Chen et al. .... D13/147  
2008/0045061 A1 \* 2/2008 Hayashi ..... 439/246

\* cited by examiner

*Primary Examiner* — Daniel Bui

(74) *Attorney, Agent, or Firm* — Wei Te Chung; Andrew C. Cheng; Ming Chieh Chang

(57) **CLAIM**

The ornamental design for an assembly with metal frames and light pipes, as shown and described.

**DESCRIPTION**

FIG. 1 is a front, top and right side perspective view of an assembly with metal frames and light pipes showing our new design;

FIG. 2 is a front elevational view thereof;

FIG. 3 is a rear elevational view thereof;

FIG. 4 is a left side elevational view thereof;

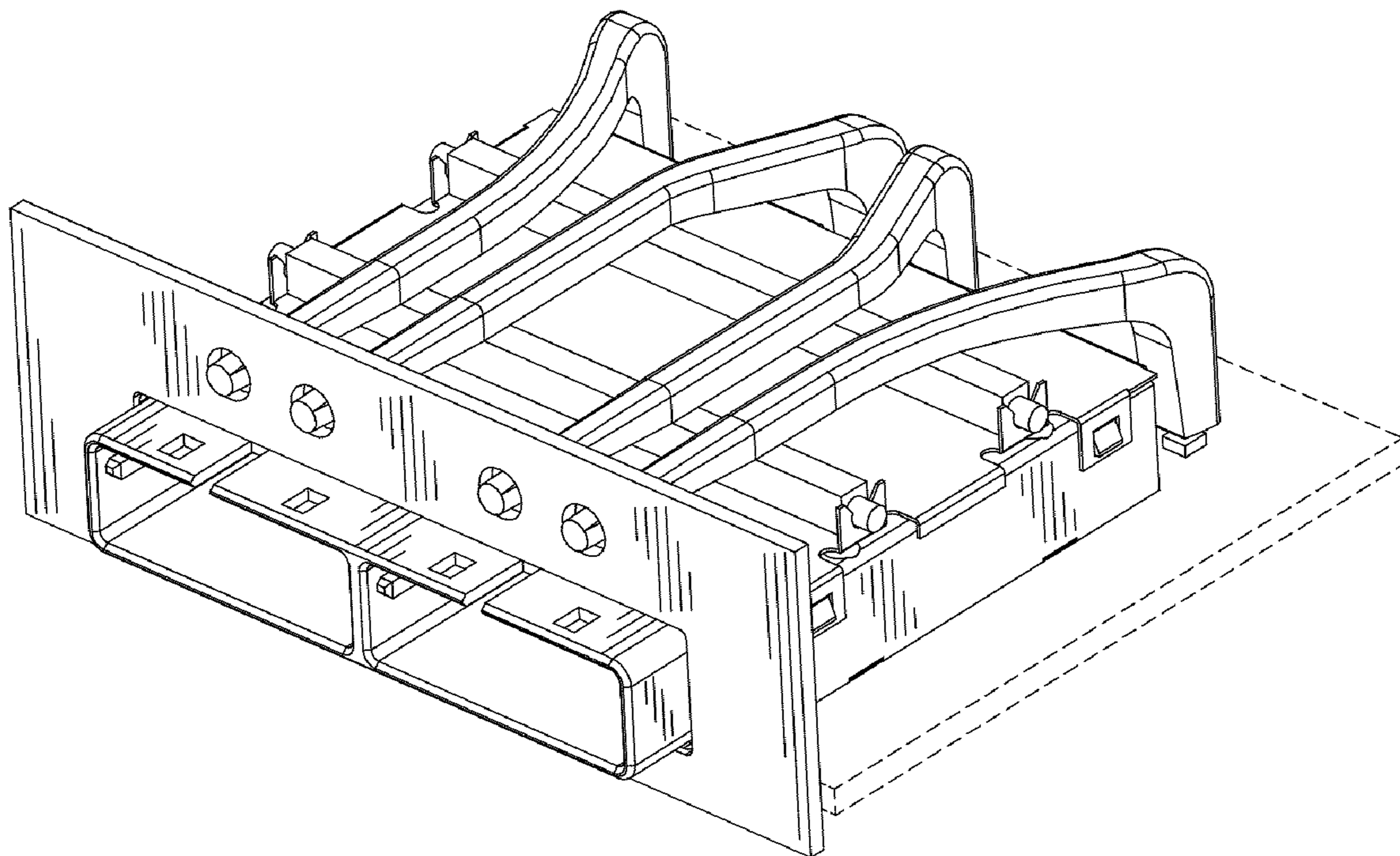
FIG. 5 is a right side elevational view thereof;

FIG. 6 is a top plan view thereof; and,

FIG. 7 is a bottom plan view thereof.

The broken line portion of the figure drawings is included to show unclaimed subject matter and forms no part of the claimed design.

**1 Claim, 7 Drawing Sheets**



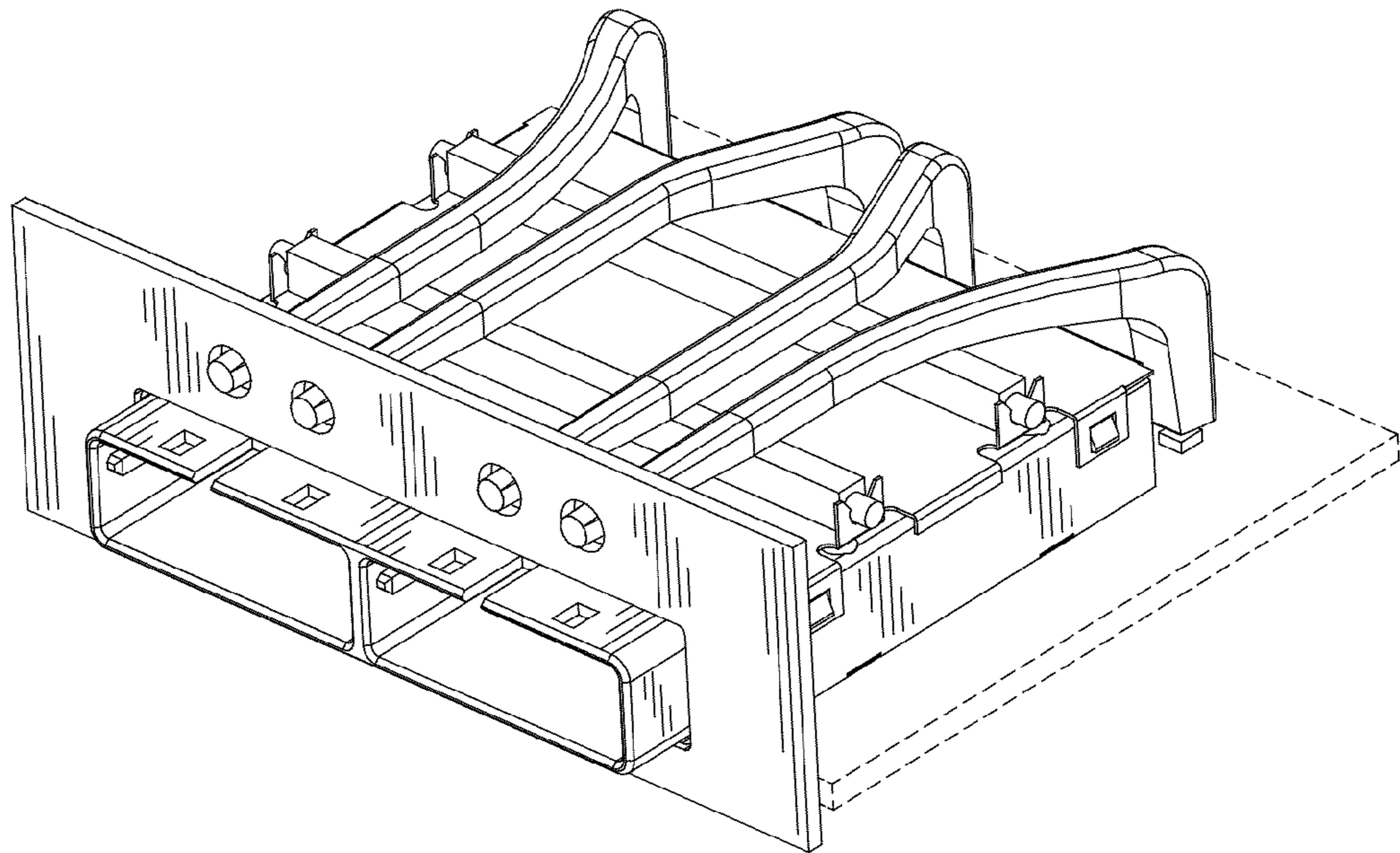


FIG. 1

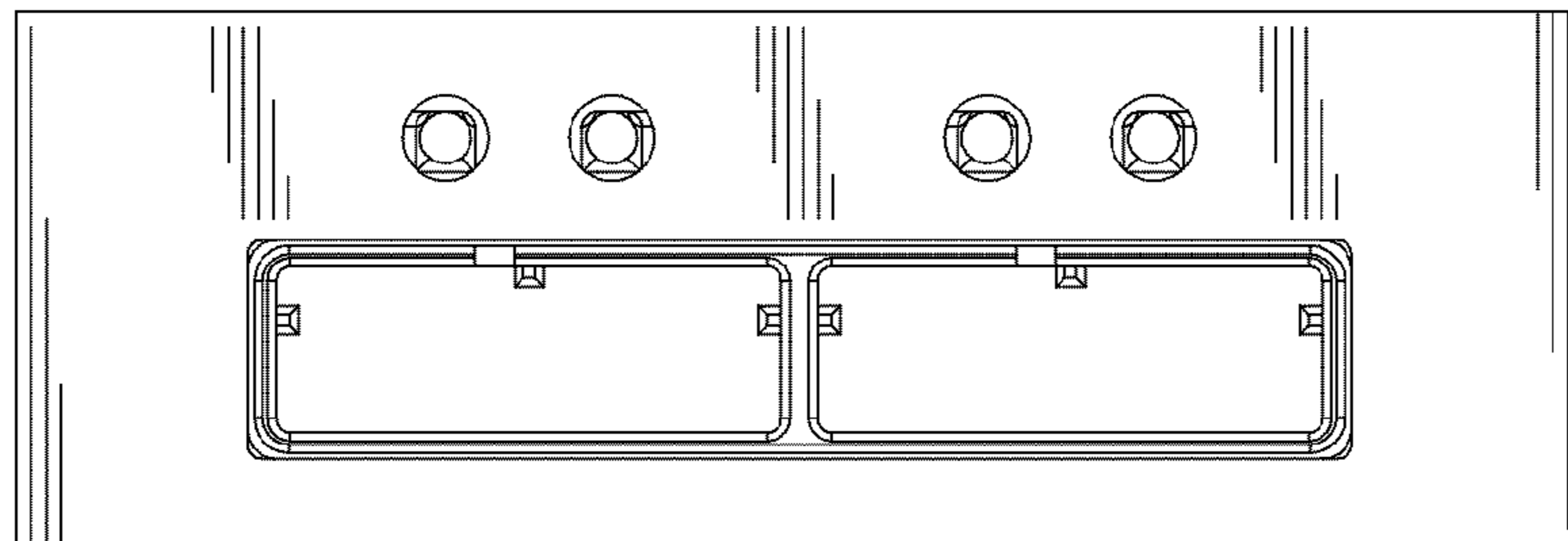


FIG. 2

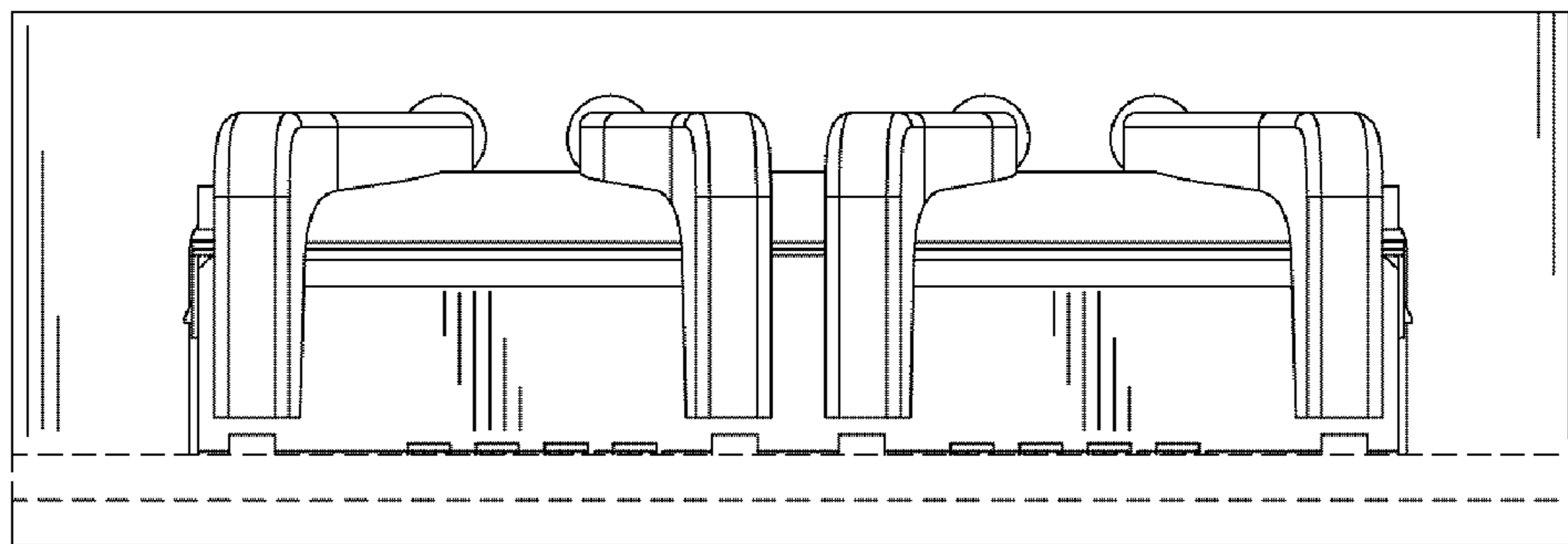


FIG. 3

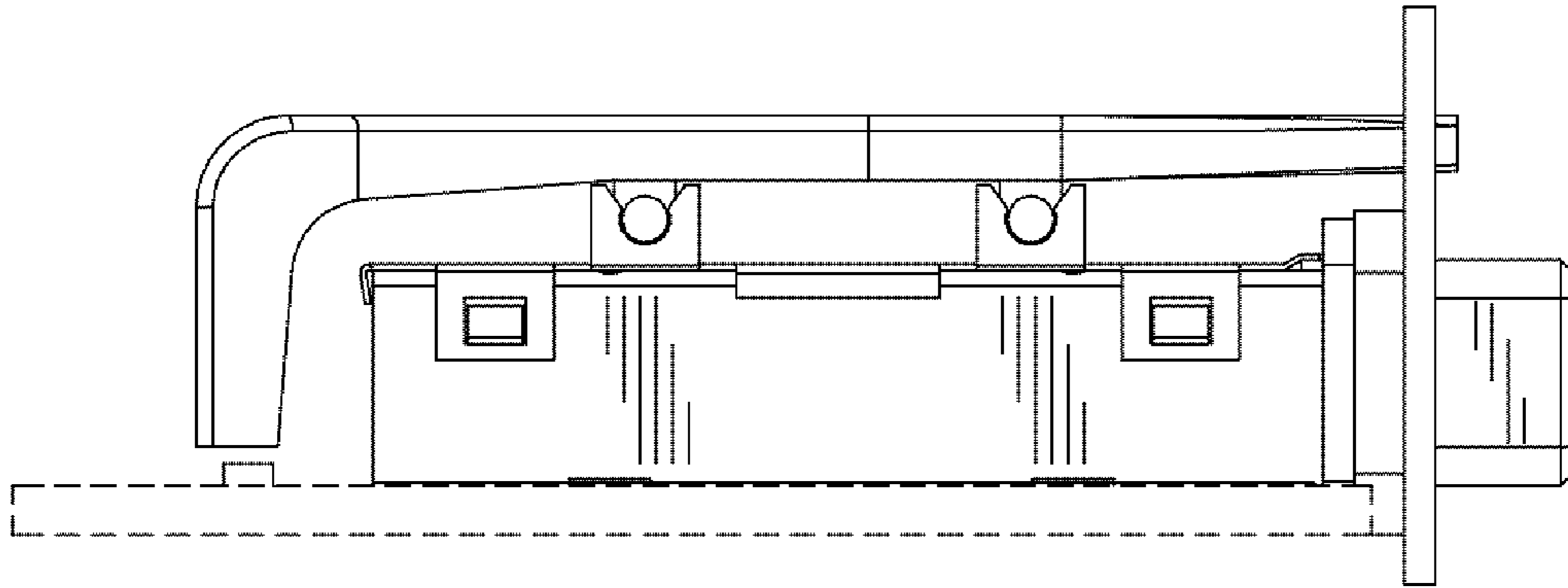


FIG. 4

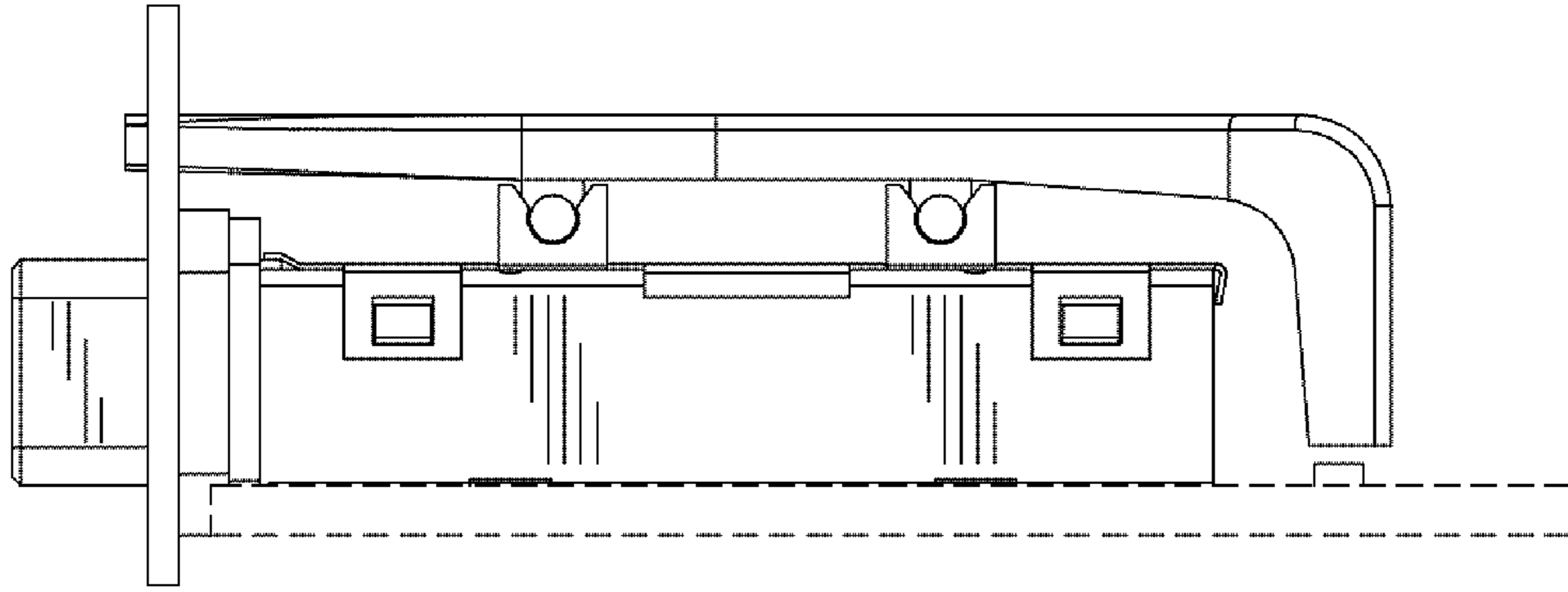


FIG. 5

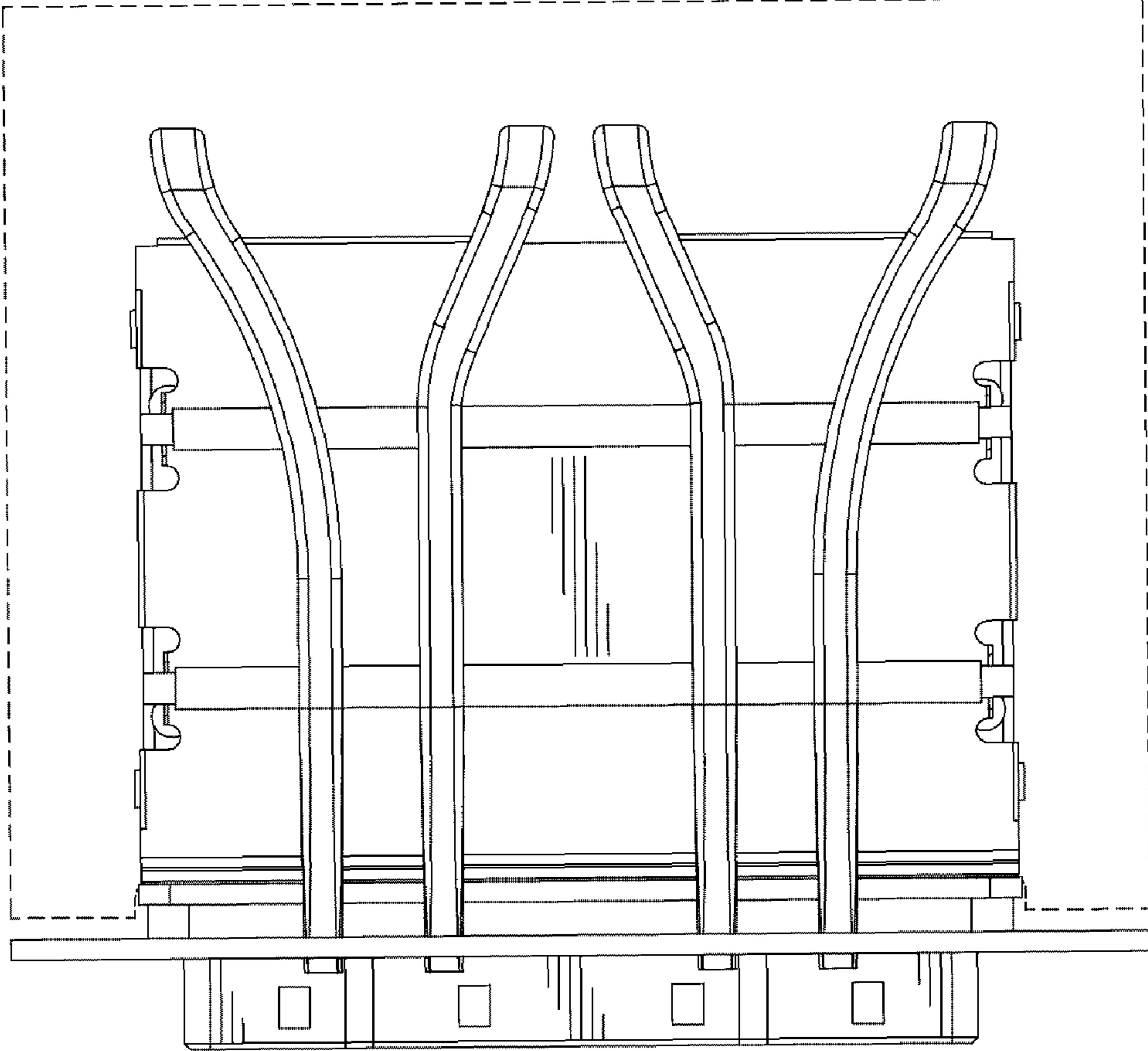


FIG. 6

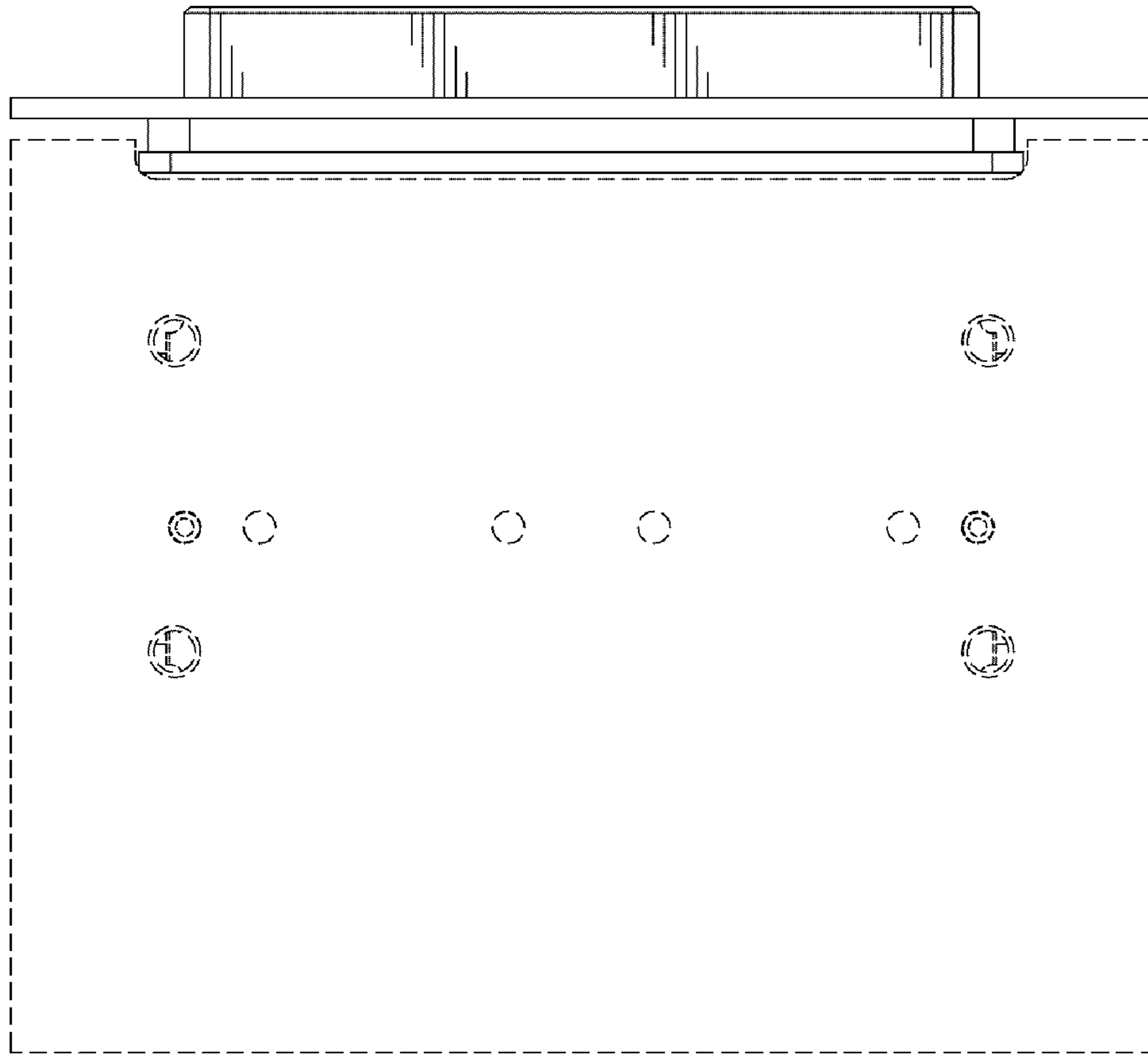


FIG. 7