

US00D653211S

(12) **United States Design Patent**
Magnezi

(10) **Patent No.:** **US D653,211 S**

(45) **Date of Patent:** **** Jan. 31, 2012**

(54) **DUAL DIRECTION CONNECTOR FOR CATV TAP BOX**

(75) Inventor: **Gavriel Magnezi**, Givat Shmuel (IL)

(73) Assignee: **Xtend Networks Ltd.**, Lod (IL)

(**) Term: **14 Years**

(21) Appl. No.: **29/355,994**

(22) Filed: **Feb. 18, 2010**

(51) **LOC (9) Cl.** **13-03**

(52) **U.S. Cl.** **D13/133**

(58) **Field of Classification Search** D13/133,
D13/154, 155, 156, 184, 199; 439/180, 252,
439/278, 374, 378, 380, 381, 527, 529, 533,
439/892, 894

See application file for complete search history.

(56) **References Cited**

U.S. PATENT DOCUMENTS

D448,348 S * 9/2001 McCoy et al. D13/146
D506,183 S * 6/2005 Hull et al. D13/152
D526,973 S * 8/2006 Gates et al. D13/184

D559,080 S * 1/2008 Boote D8/354
* cited by examiner

Primary Examiner — Daniel Bui

(74) *Attorney, Agent, or Firm* — Pearl Cohen Zedek Latzer, LLP

(57) **CLAIM**

The ornamental design for a dual direction connector for CATV tap box, as shown and described.

DESCRIPTION

FIG. 1 is a bottom, front side perspective view of the dual direction connector for CATV tap box showing my new design;

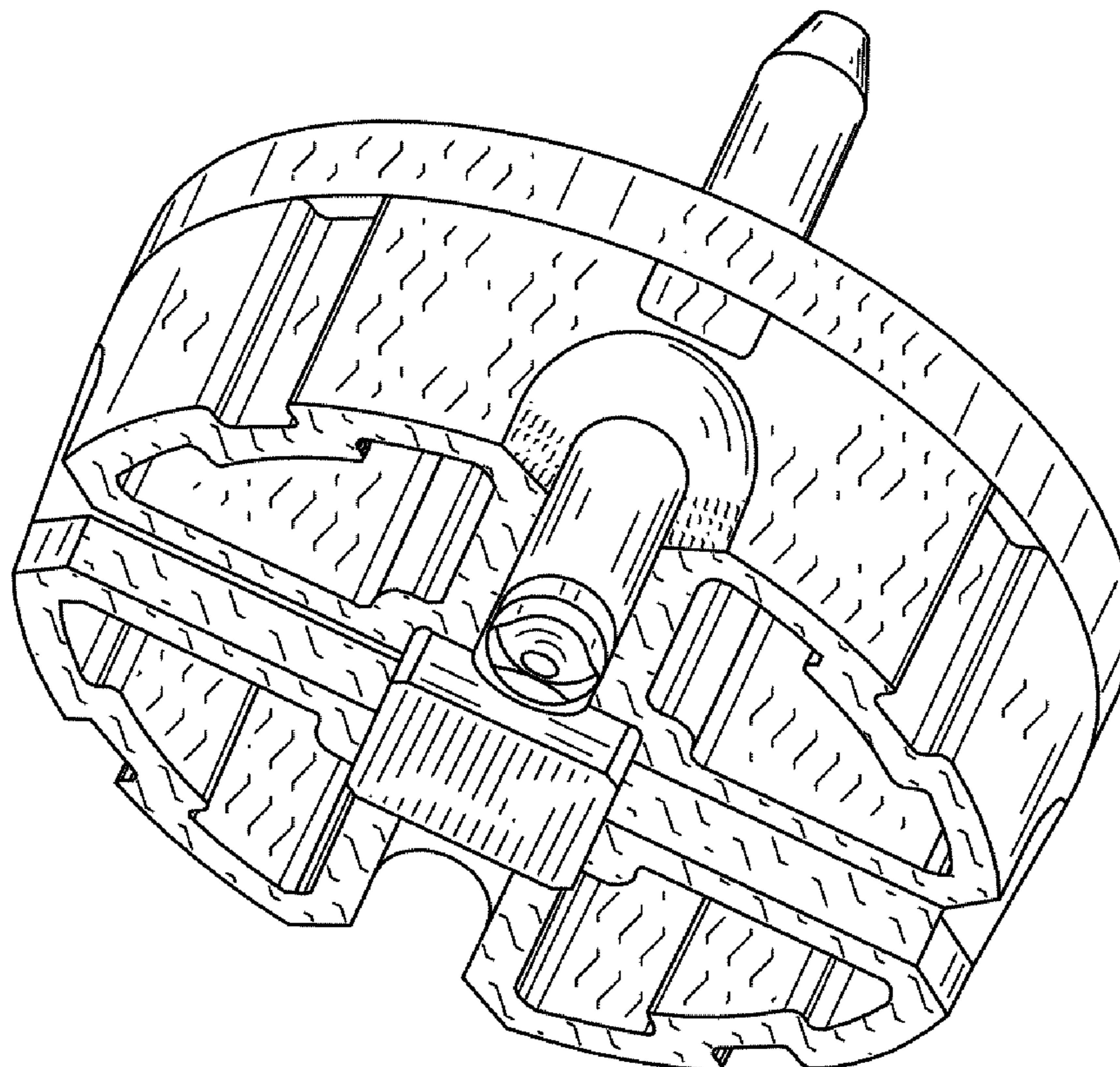
FIG. 2 is a front elevational view thereof;

FIG. 3 is a right elevational view thereof;

FIG. 4 is a top side elevational view thereof; and,

FIG. 5 is a bottom side elevational view thereof.

1 Claim, 3 Drawing Sheets



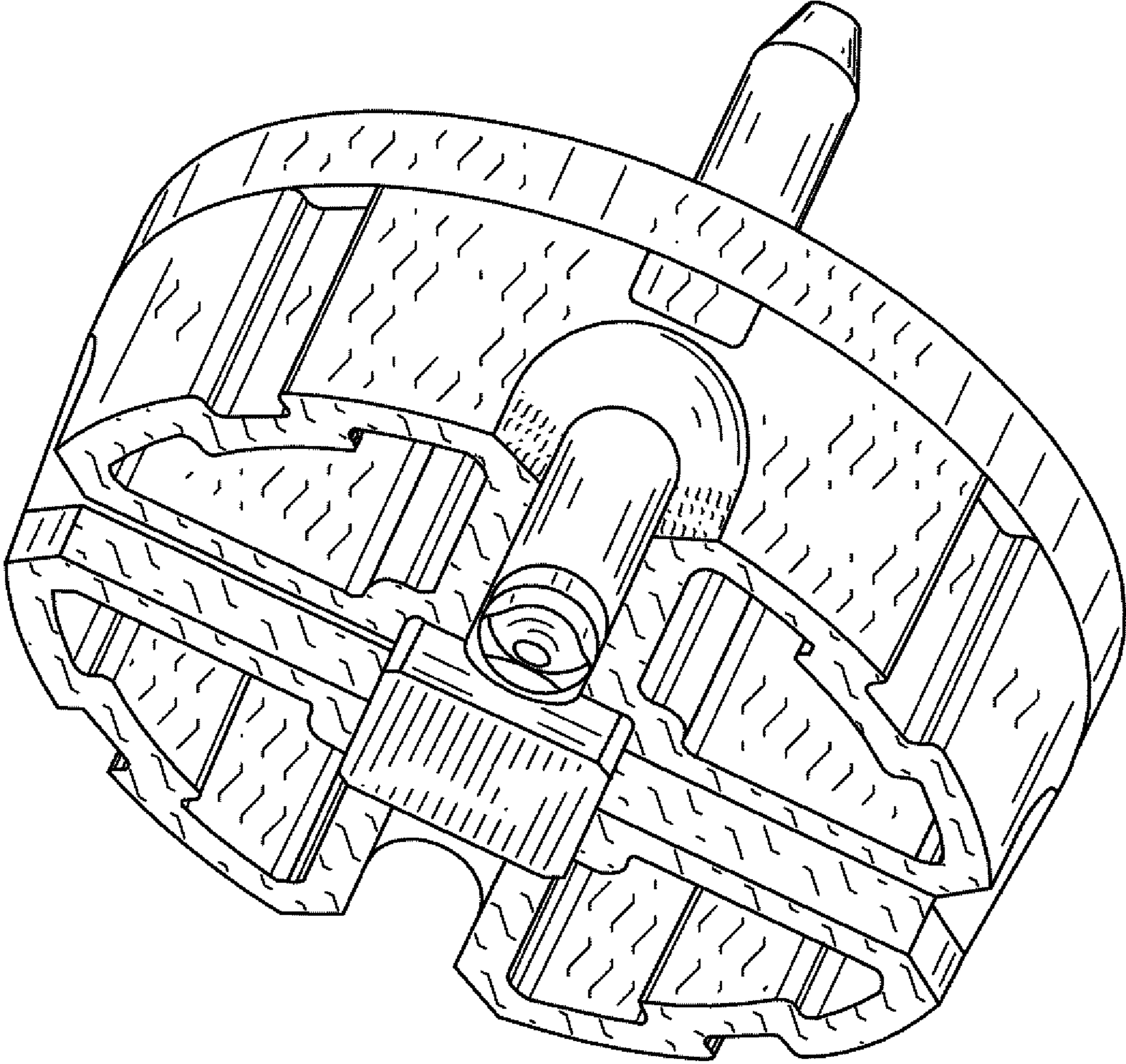


FIG. 1

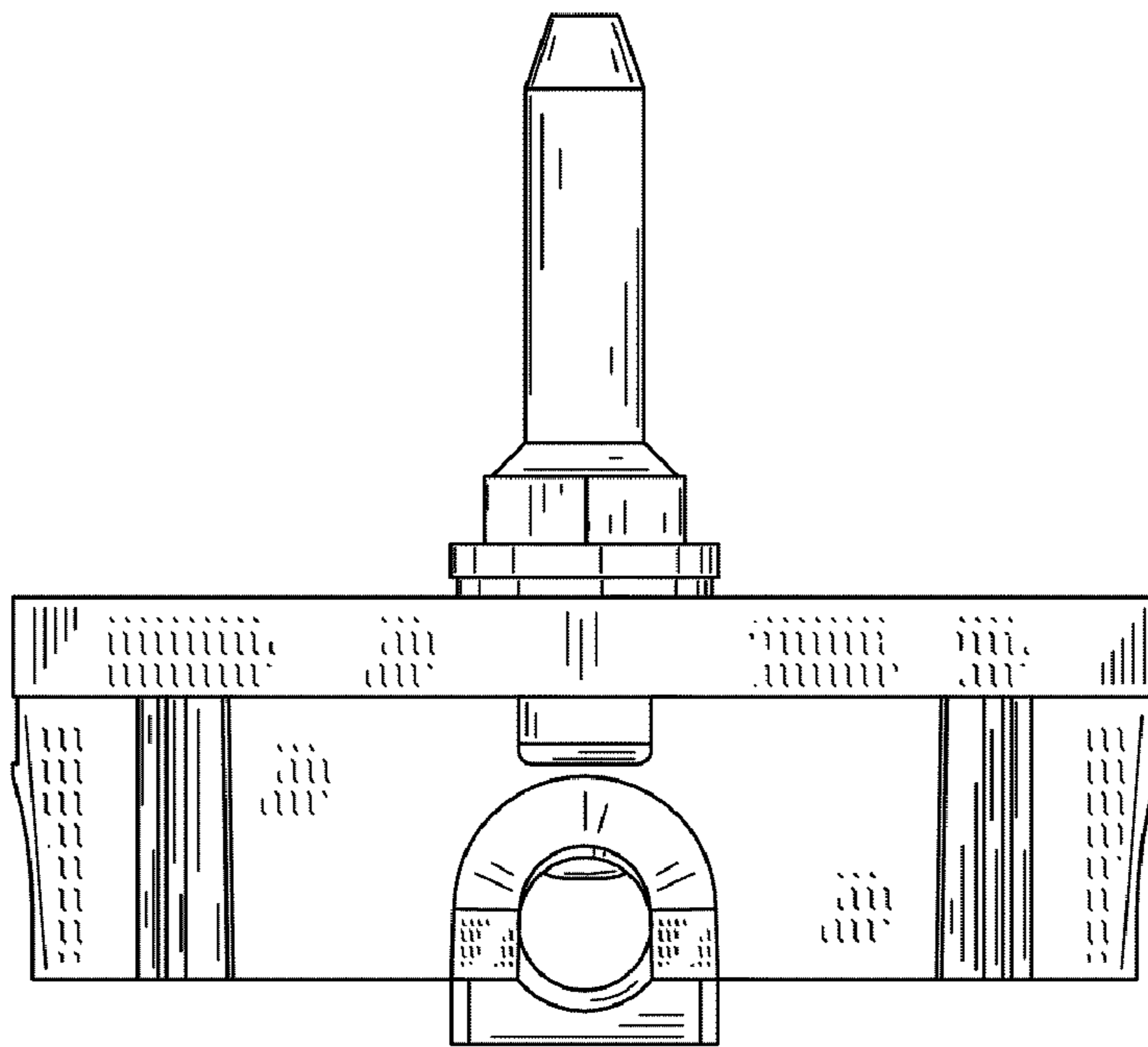


FIG. 2

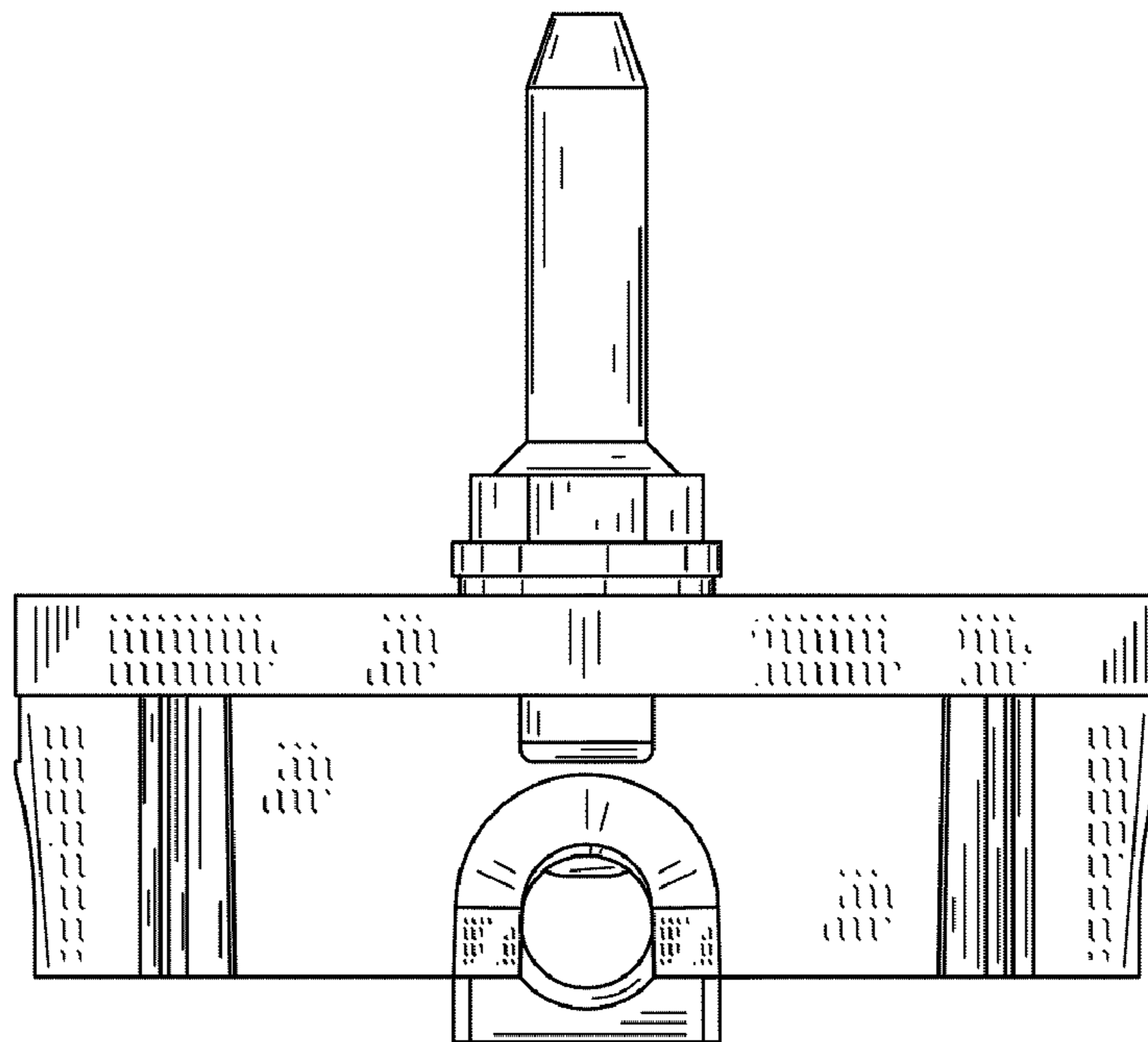


FIG. 3

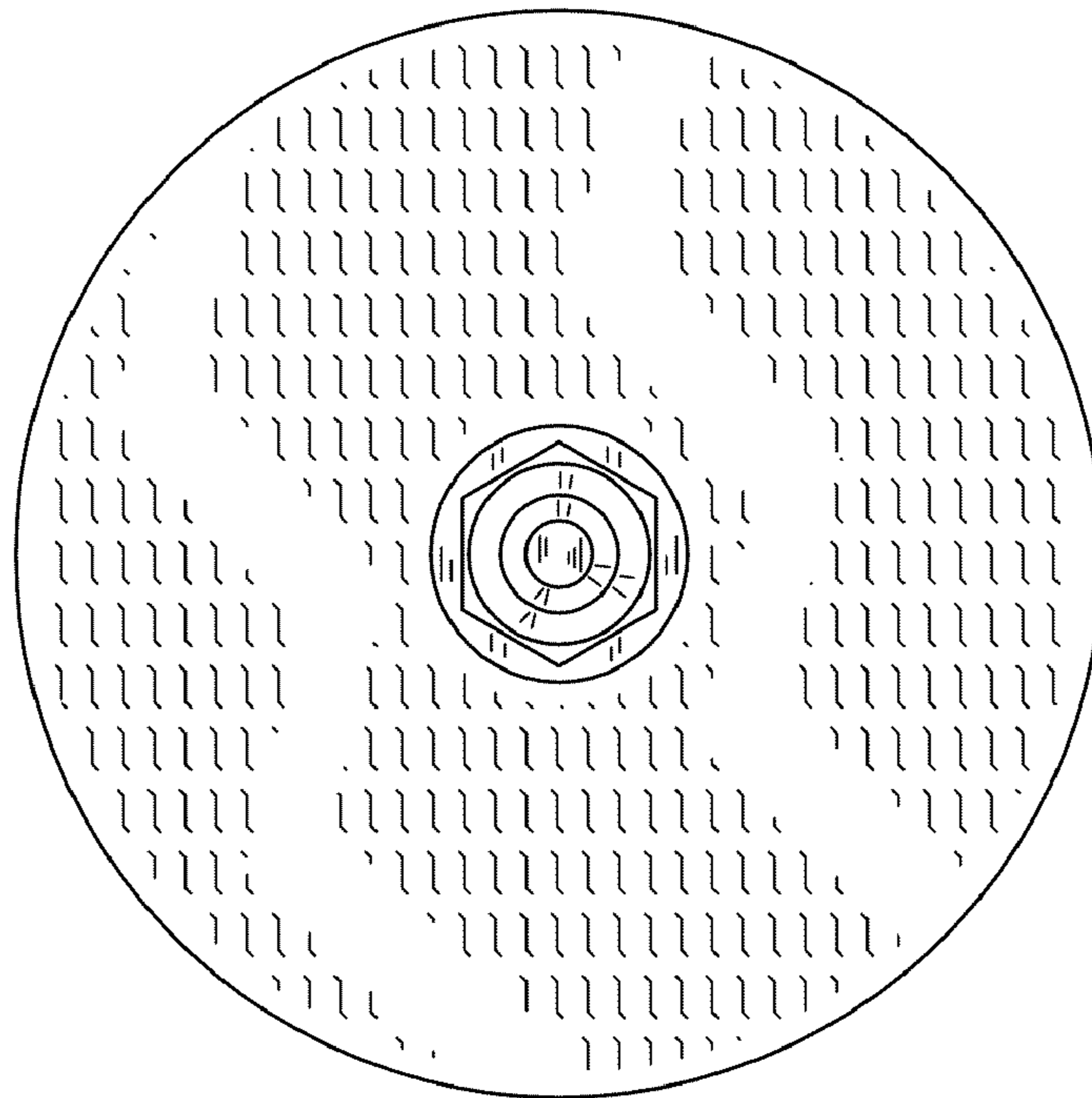


FIG. 4

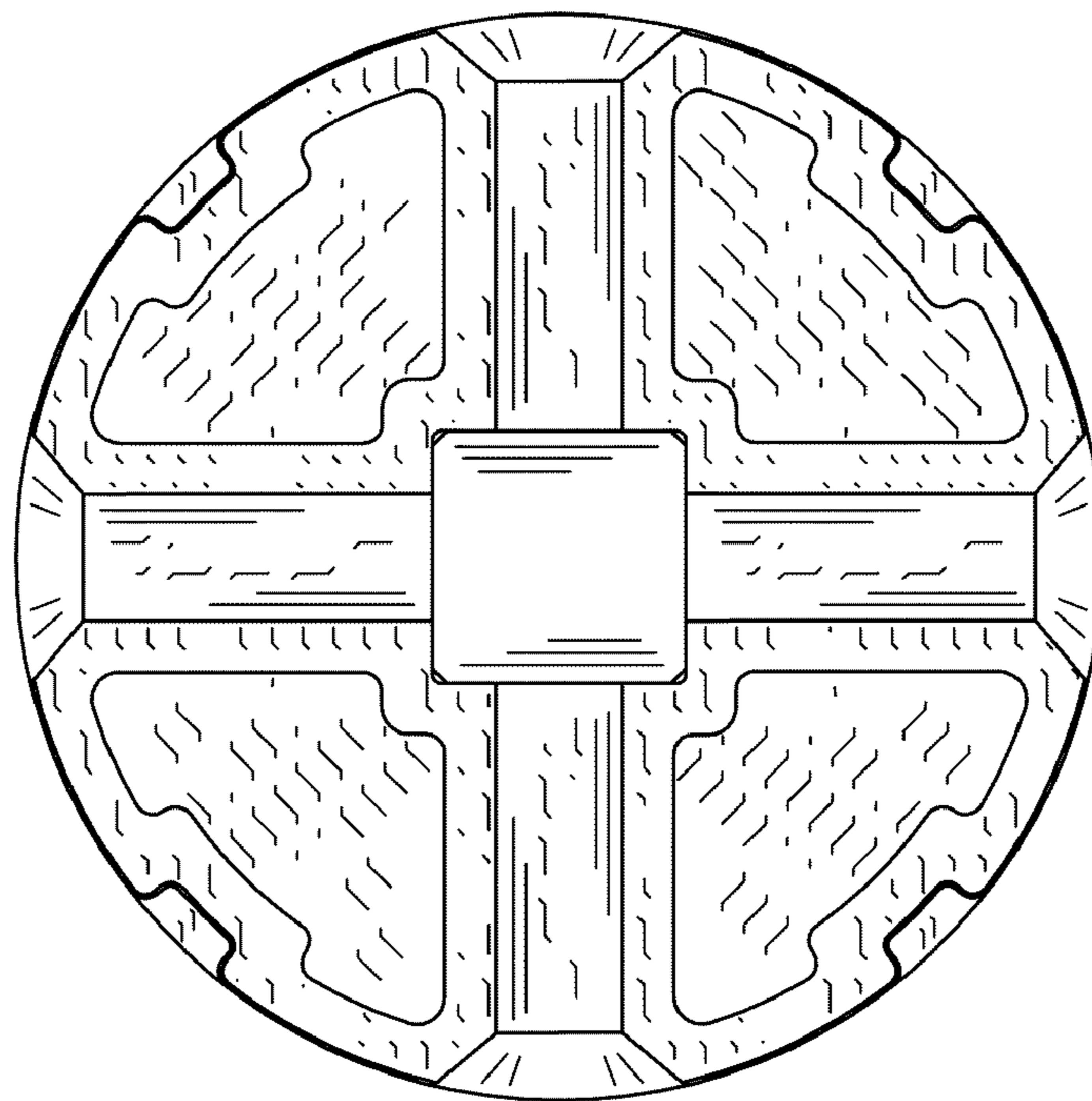


FIG. 5