



US00D653210S

(12) **United States Design Patent**
Meier et al.

(10) **Patent No.:** **US D653,210 S**
(45) **Date of Patent:** **** Jan. 31, 2012**

(54) **CABLE CONNECTOR HOUSING**
(75) Inventors: **Giovanni C. Meier**, Madison, CT (US);
Gintaras A. Vaisnys, Chicago, IL (US);
Glenn W. Laub, Princeton, NJ (US);
Benny Chi, Dumont, NJ (US)

(73) Assignee: **Defibtech, LLC**, Princeton, NJ (US)

(**) Term: **14 Years**

(21) Appl. No.: **29/325,058**

(22) Filed: **Sep. 25, 2008**

(51) **LOC (9) Cl.** **13-03**

(52) **U.S. Cl.** **D13/133**

(58) **Field of Classification Search** D13/133,
D13/146, 147, 154, 156, 184, 199; D14/432,
D14/433;
439/447, 483, 606, 607.01, 607.04–607.06,
439/607.22, 607.29, 607.45, 607.47, 607.49,
439/607.58, 620.21, 660, 668, 682, 687,
439/692, 695, 904, 906

See application file for complete search history.

(56) **References Cited**

U.S. PATENT DOCUMENTS

D308,197	S	*	5/1990	Inoue	D14/433
D332,602	S	*	1/1993	Kikuta et al.	D13/154
D357,898	S	*	5/1995	Richards et al.	D13/133
D402,632	S	*	12/1998	Richards et al.	D13/154
D406,573	S	*	3/1999	Yao	D14/433
D421,742	S	*	3/2000	Katoh	D13/147
D422,267	S	*	4/2000	Richards	D13/154

D448,007	S	*	9/2001	Hwang et al.	D13/154
6,352,438	B1	*	3/2002	Wu	439/92
D463,371	S	*	9/2002	Lee et al.	D13/147
6,461,199	B1	*	10/2002	Koga et al.	439/668
D472,879	S	*	4/2003	Ouchi et al.	D13/147
6,577,500	B2	*	6/2003	Paredes et al.	361/679.4
D487,261	S	*	3/2004	Cors et al.	D14/240
D494,934	S	*	8/2004	Milan	D13/133
D529,029	S	*	9/2006	Sekine	D14/433
D551,628	S	*	9/2007	Meier et al.	
D609,191	S	*	2/2010	Feldvoss et al.	D13/154
D615,040	S	*	5/2010	Slippy et al.	D13/133
D629,358	S	*	12/2010	Slippy et al.	D13/133
2006/0259081	A1		11/2006	Vaisnys et al.	

* cited by examiner

Primary Examiner — Rosemary K Tarcza

(74) *Attorney, Agent, or Firm* — King & Spalding LLP

(57) **CLAIM**

The ornamental design for a cable connector housing, as shown and described.

DESCRIPTION

FIG. 1 is a perspective view of one embodiment of the design for a cable connector housing;

FIG. 2 is a rear view of the design of FIG. 1;

FIG. 3 is a front view of the design of FIG. 1;

FIG. 4 is a bottom plan view of the design of FIG. 1;

FIG. 5 is a top plan view of the design of FIG. 1;

FIG. 6 is a left side view of the design of FIG. 1; and,

FIG. 7 is a right side view of the design of FIG. 1.

The broken line showings in each Figure are for illustrative purposes only and form no part of the claimed design.

1 Claim, 2 Drawing Sheets

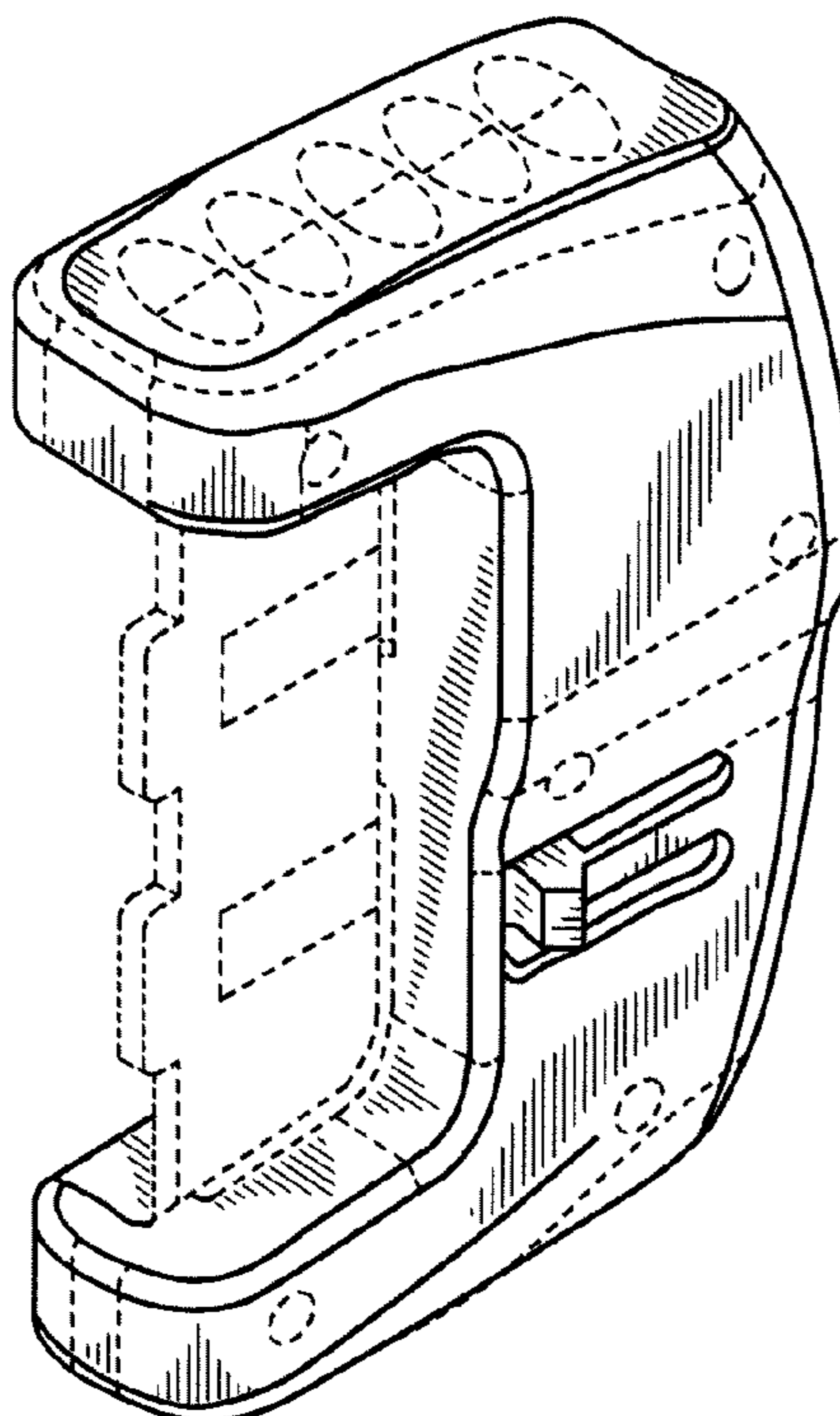


FIG. 1

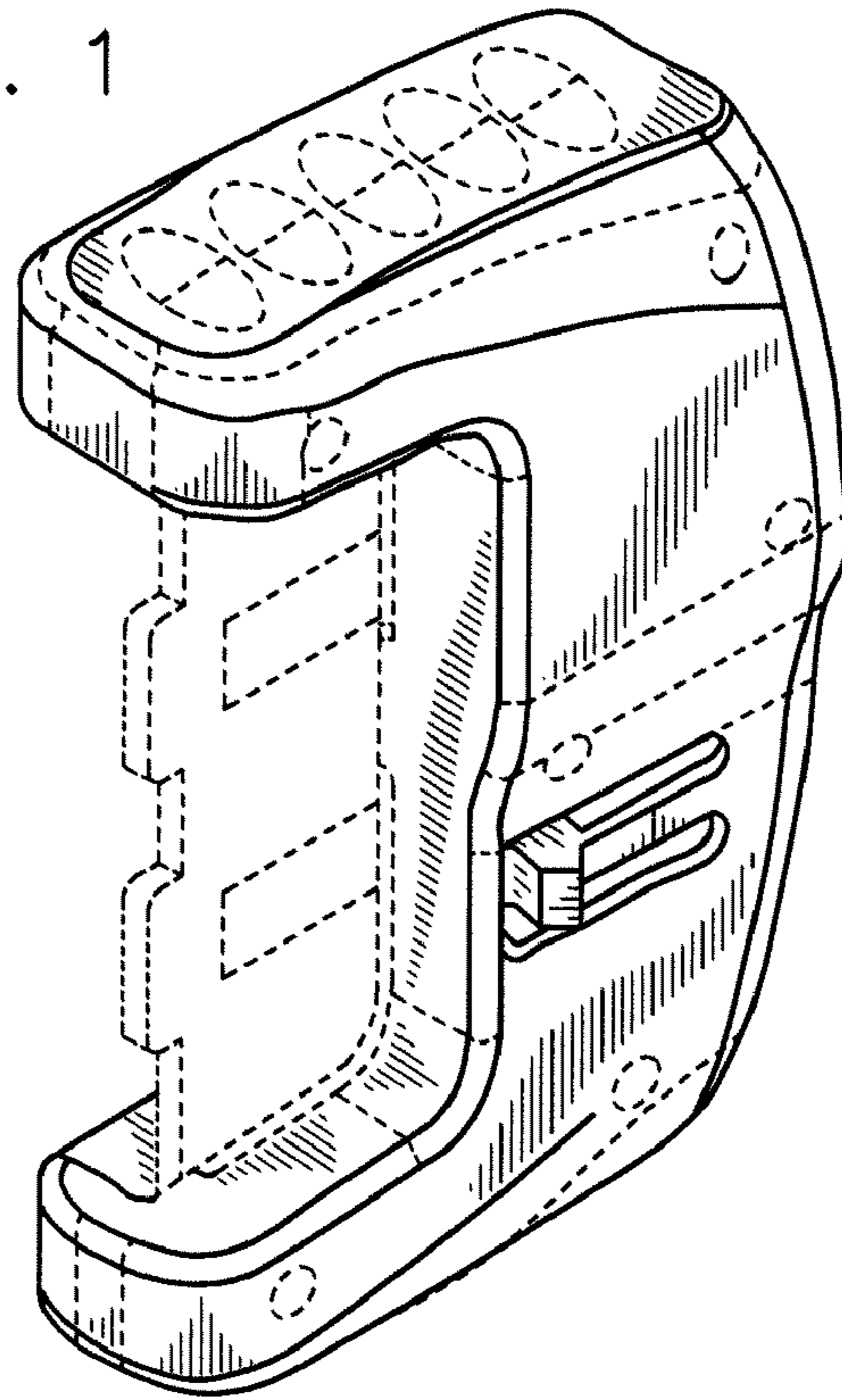


FIG. 2

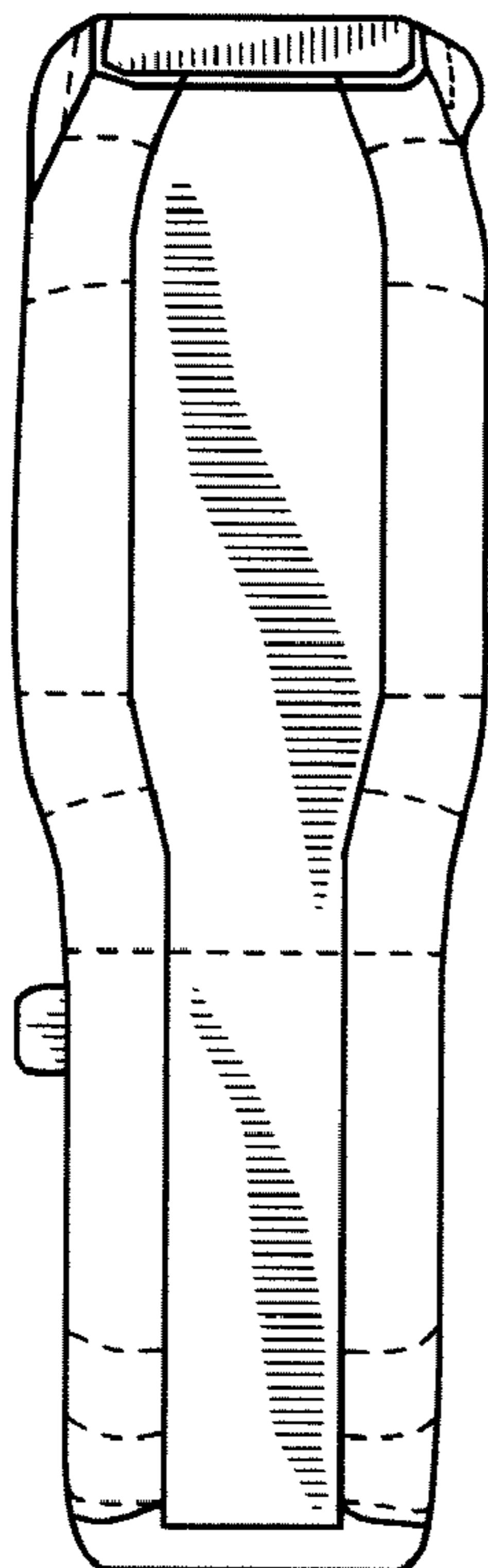


FIG. 3

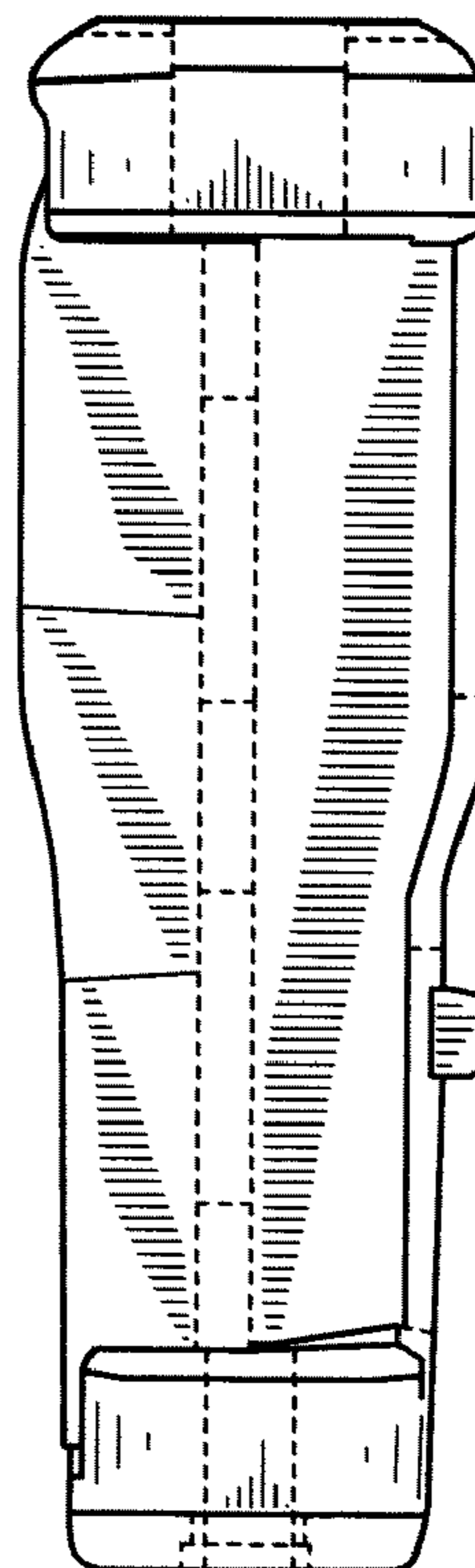


FIG. 4

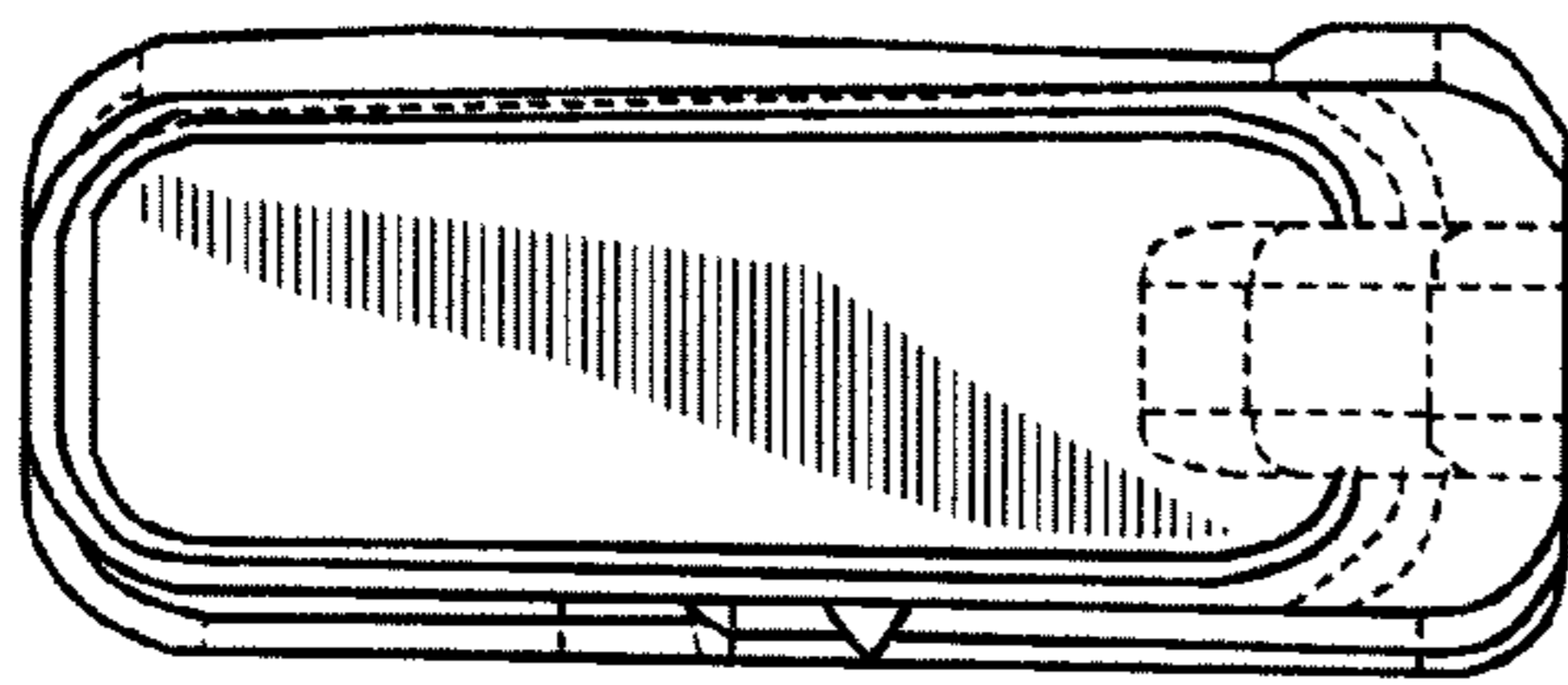


FIG. 5

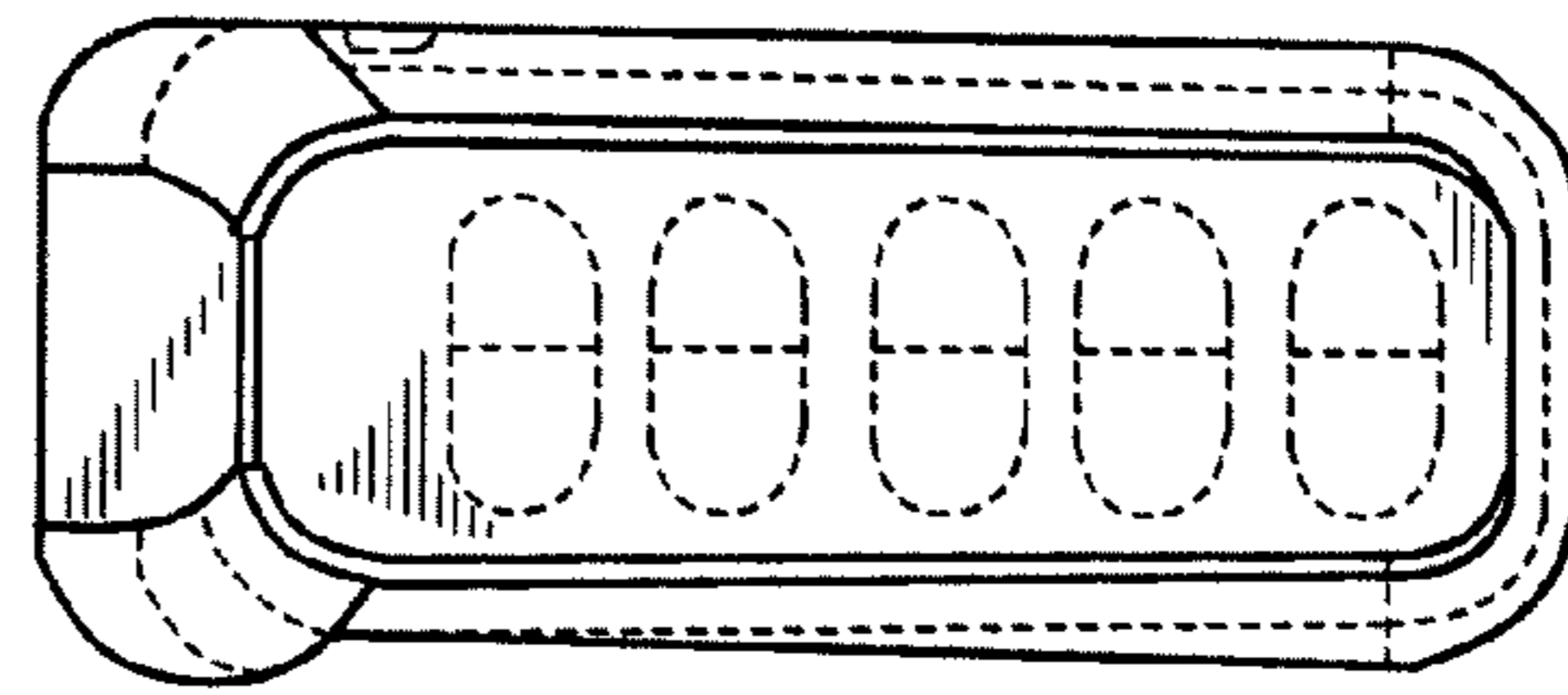


FIG. 6

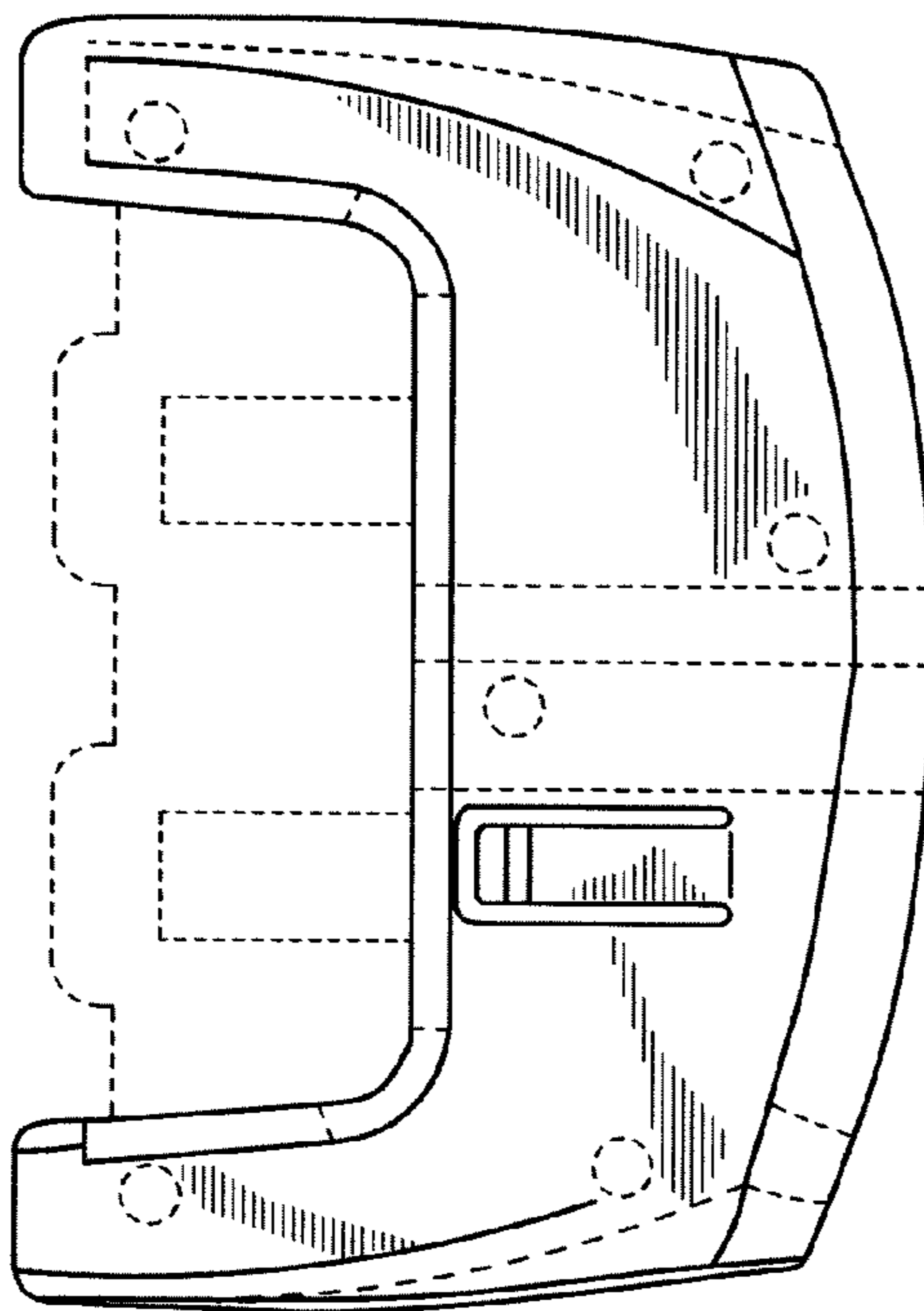


FIG. 7

