



US00D653209S

(12) **United States Design Patent**
Lee

(10) **Patent No.:** **US D653,209 S**
(45) **Date of Patent:** **** Jan. 31, 2012**

(54) **USB AC ADAPTOR**

(75) Inventor: **Chiu-San Lee**, New Taipei (TW)

(73) Assignee: **XYZ Science Co., Ltd.**, New Taipei (TW)

(**) Term: **14 Years**

(21) Appl. No.: **29/391,296**

(22) Filed: **May 6, 2011**

(30) **Foreign Application Priority Data**

Jan. 5, 2011 (TW) 100300041

(51) **LOC (9) Cl.** **13-02**

(52) **U.S. Cl.** **D13/110**

(58) **Field of Classification Search** D13/110,
D13/107, 108, 123, 133, 137.1, 138.1, 199;
174/53, 54, 59, 61; 307/150, 151; 320/111,
320/114; 363/132, 140, 142, 143, 146; 439/105,
439/131, 166, 171-173, 218, 222, 518, 640,
439/692, 956; D14/432, 433

See application file for complete search history.

(56) **References Cited**

U.S. PATENT DOCUMENTS

D338,188 S * 8/1993 Lee et al. D13/110
5,613,863 A * 3/1997 Klaus et al. 439/131

5,973,948 A * 10/1999 Hahn et al. 363/146
D416,226 S * 11/1999 Lohrding et al. D13/110
D432,497 S * 10/2000 Totsuka et al. D13/110
D434,378 S * 11/2000 Ullmann D13/138.1
D452,842 S * 1/2002 Kajiwara et al. D13/110
D456,008 S * 4/2002 Kawanobe et al. D13/110
6,845,023 B2 * 1/2005 Philips et al. 363/132
D531,579 S * 11/2006 Peng et al. D13/147
D562,766 S * 2/2008 Yang D13/110

* cited by examiner

Primary Examiner — Derrick Holland

(74) *Attorney, Agent, or Firm* — Leong C. Lei

(57) **CLAIM**

The ornamental design for a USB AC adaptor, as shown and described.

DESCRIPTION

FIG. 1 is a front perspective view of a USB AC adaptor showing my new design;

FIG. 2 is a front elevational view thereof;

FIG. 3 is a rear elevational view thereof;

FIG. 4 is a left elevational view thereof;

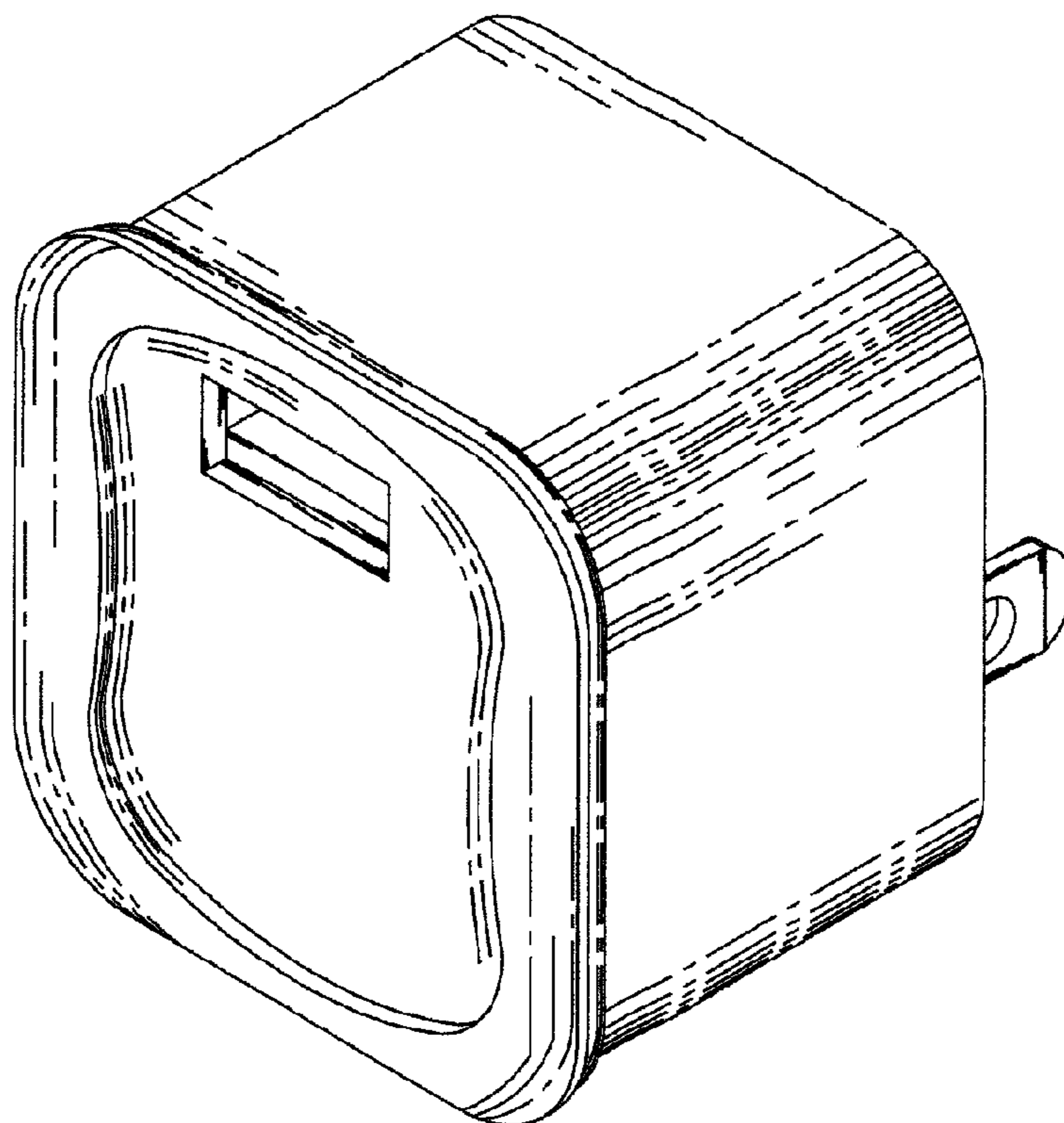
FIG. 5 is a right elevational view thereof;

FIG. 6 is a top plan view thereof; and,

FIG. 7 is a bottom plan view thereof.

The broken lines shown represent unclaimed subject matter and form no part of the claimed design.

1 Claim, 7 Drawing Sheets



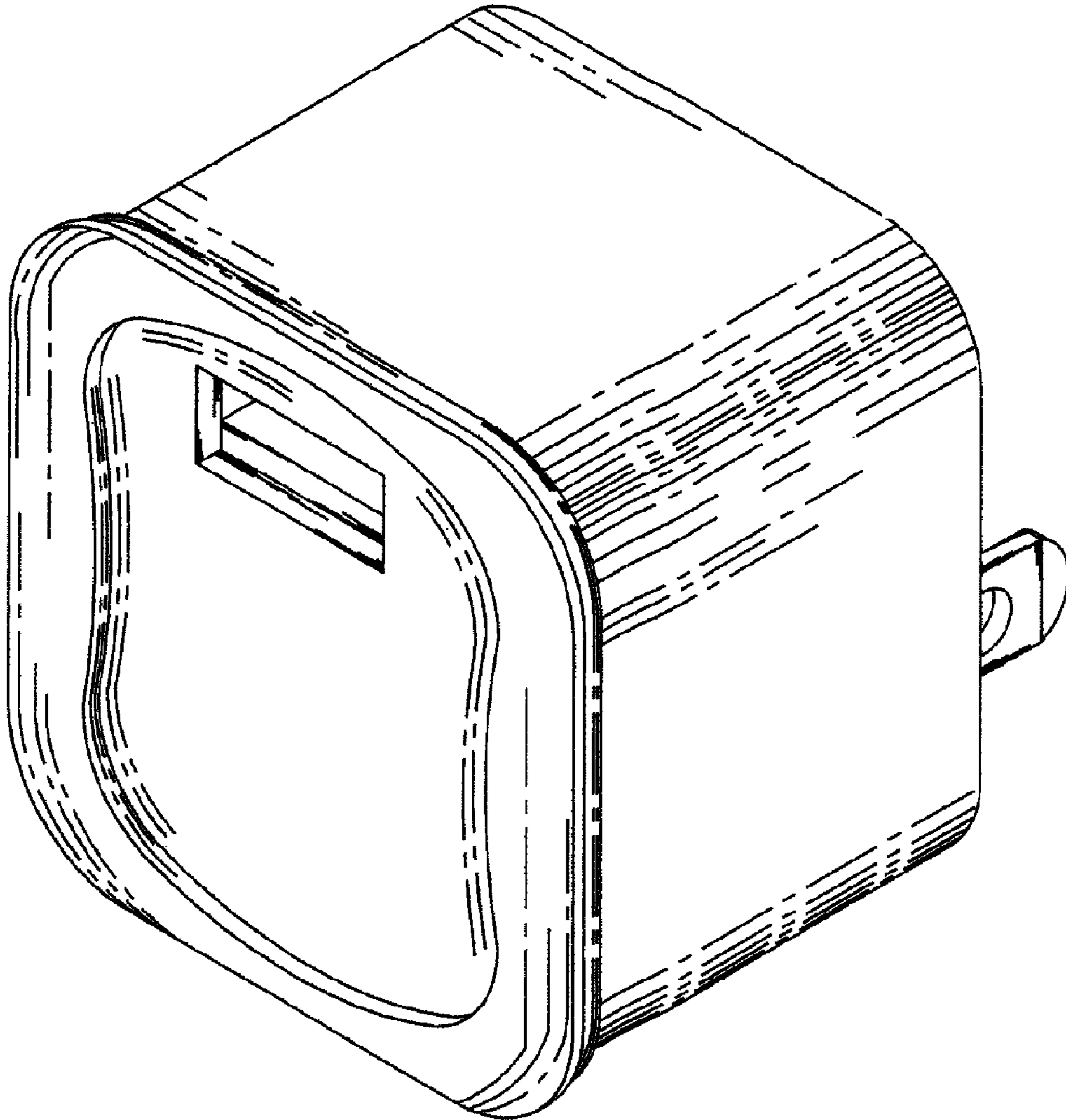


FIG.1

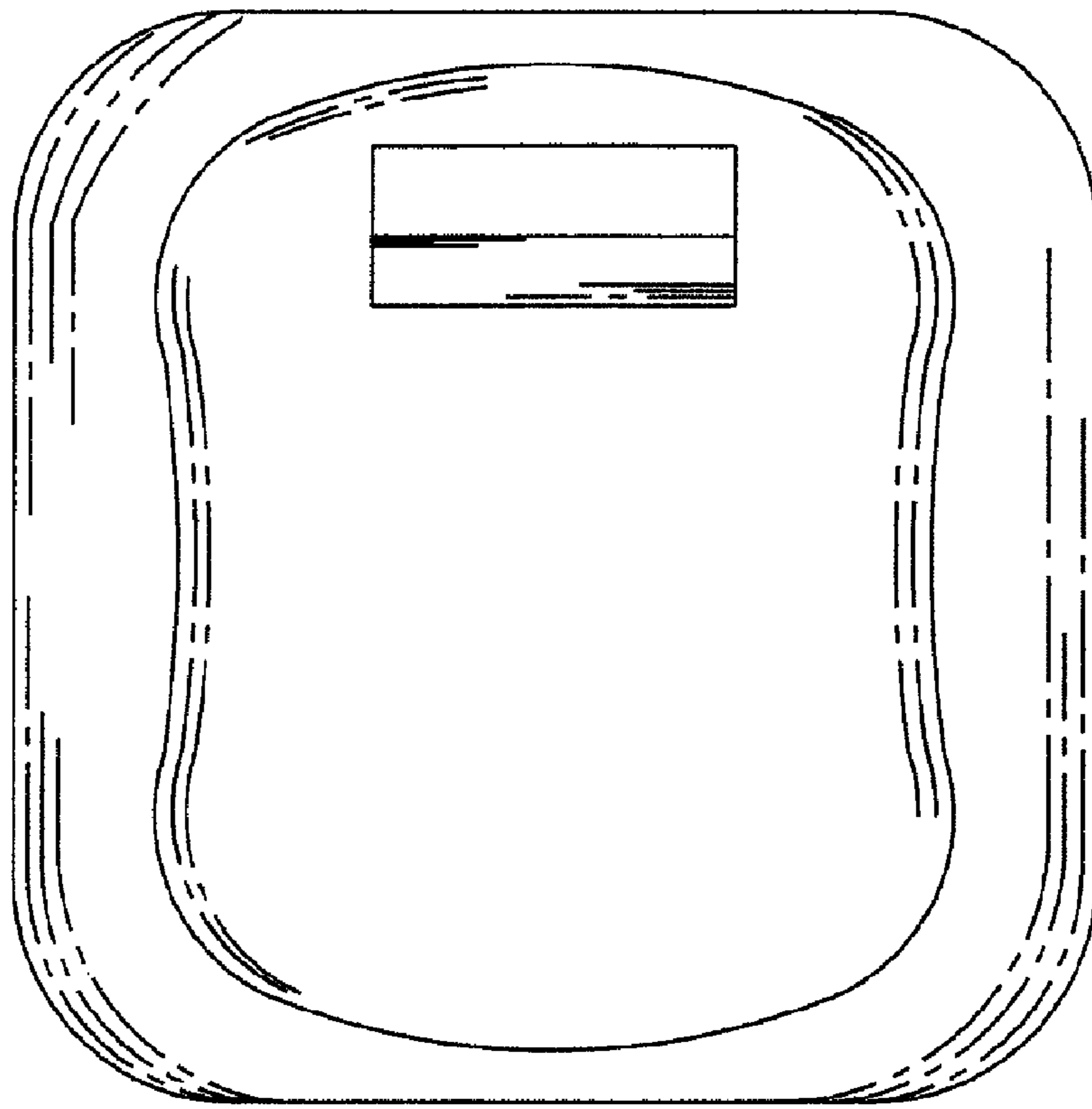


FIG.2

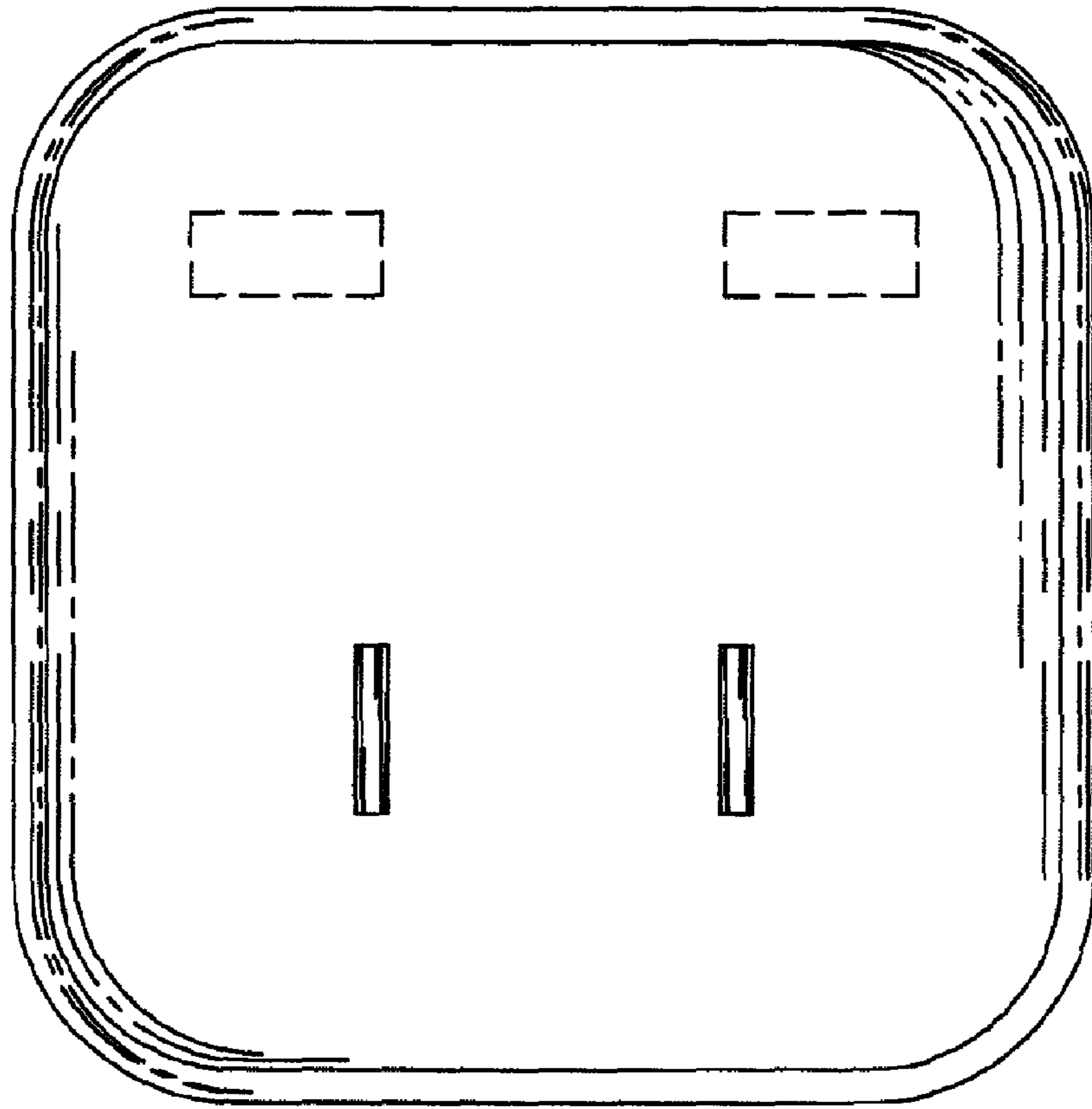


Fig.3

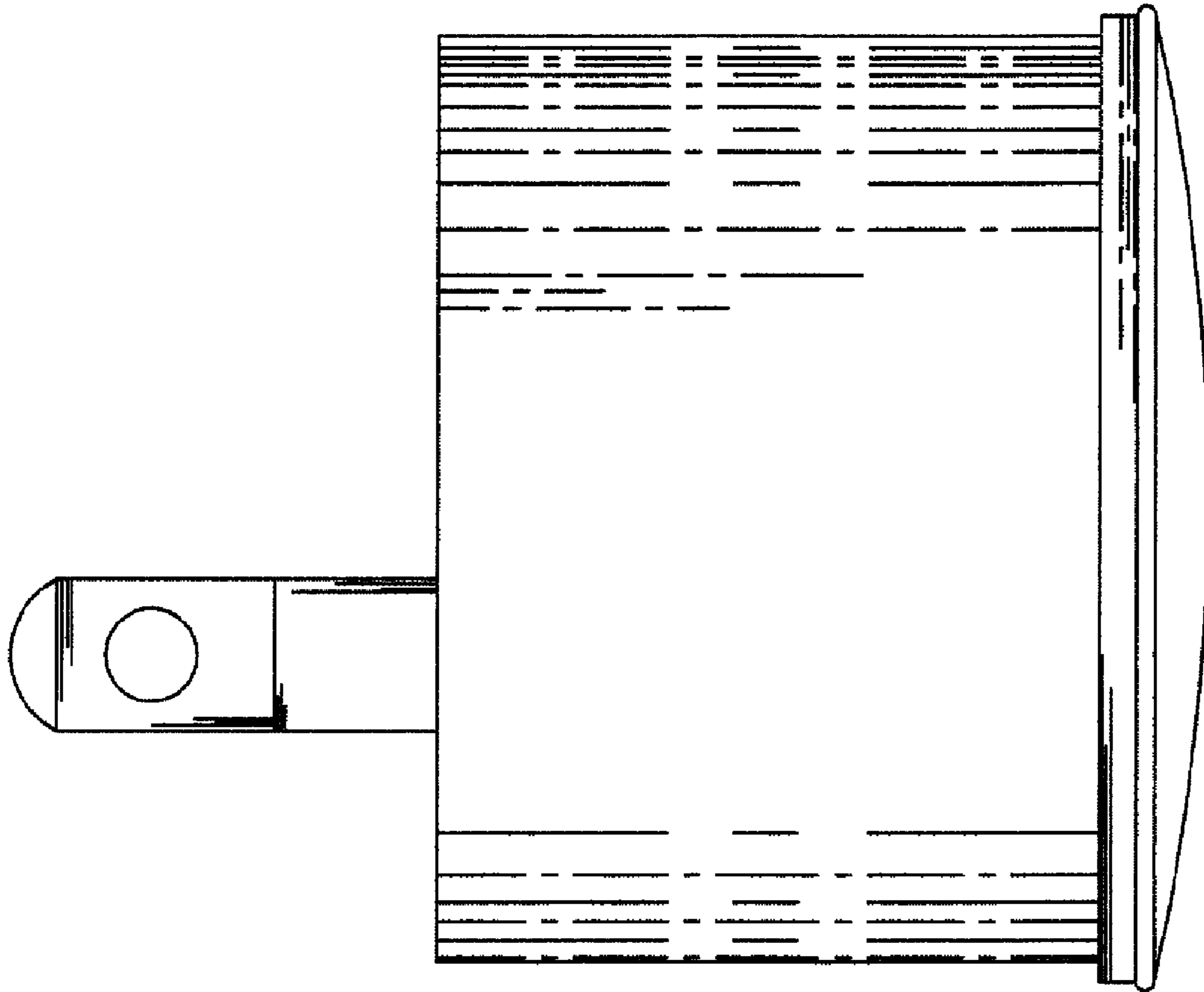


FIG.4

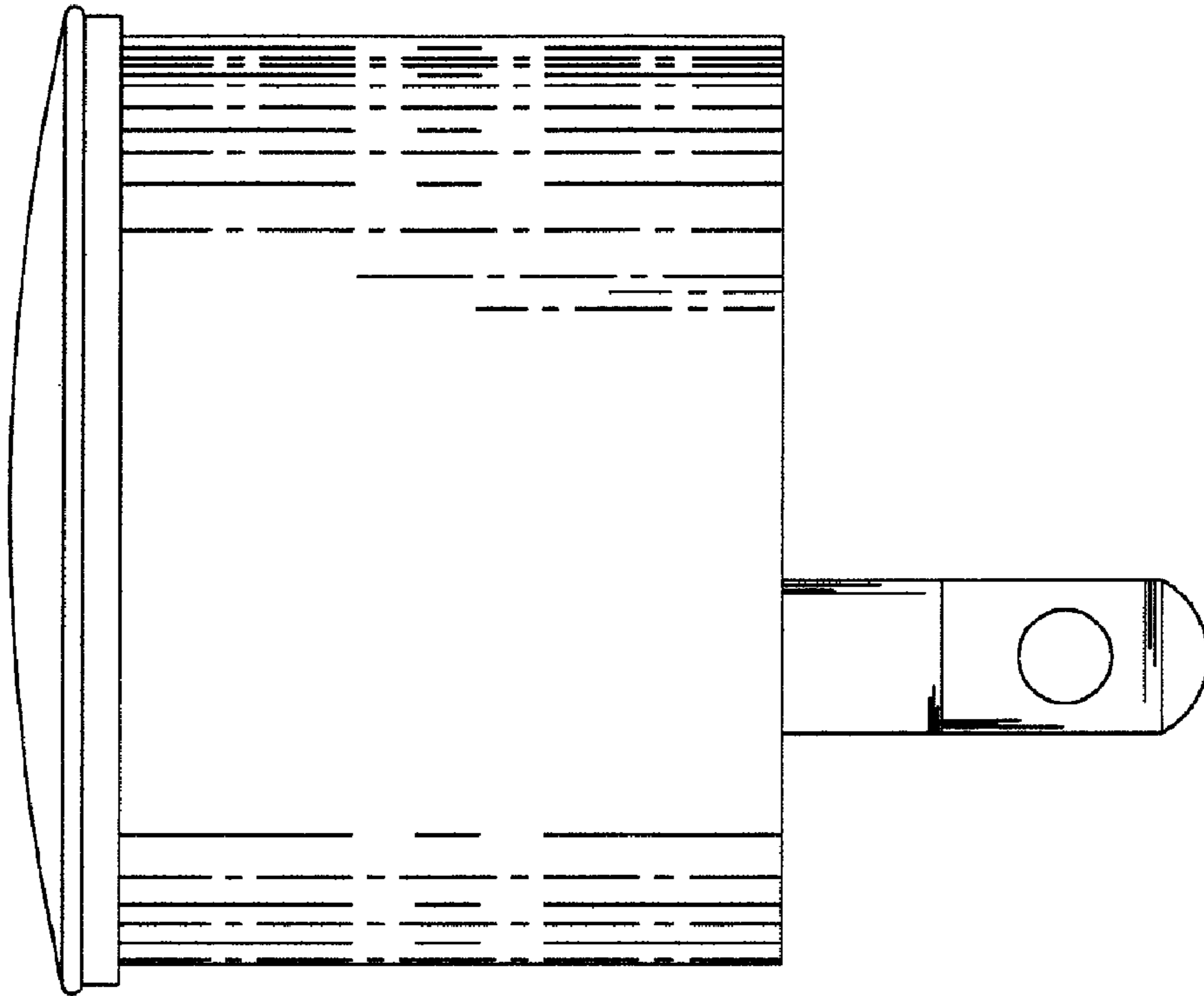


FIG.5

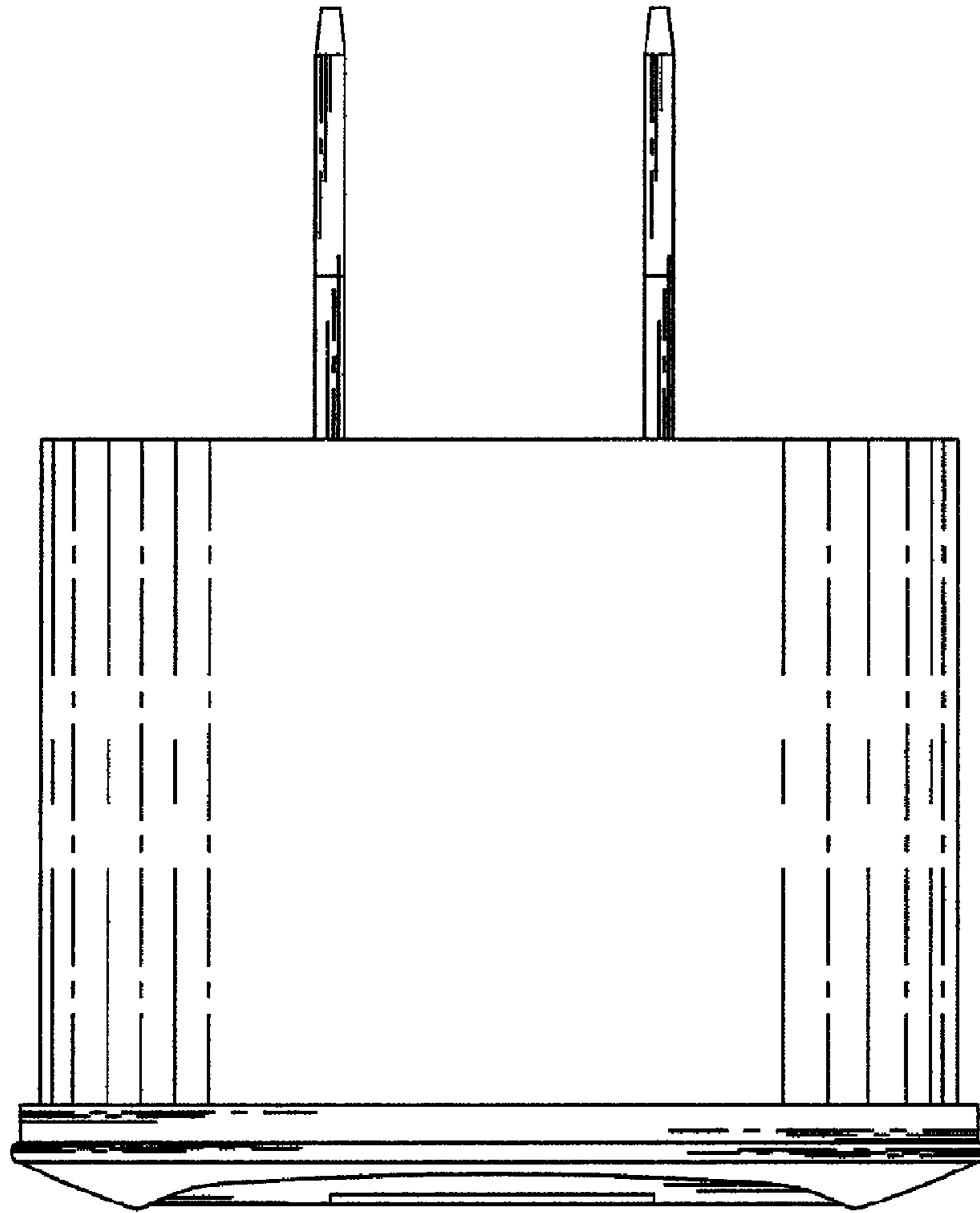


FIG.6

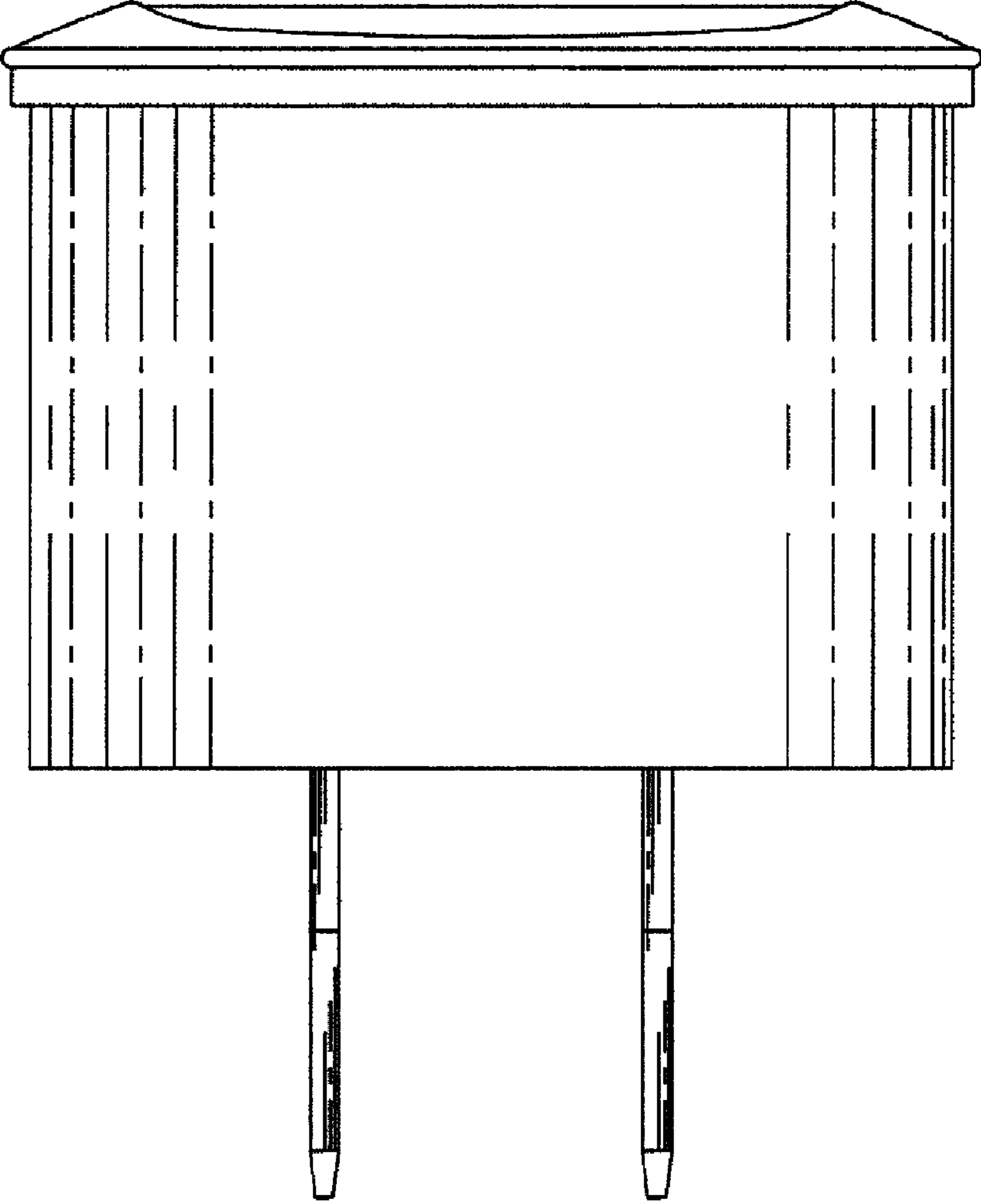


FIG. 7