



US00D653207S

(12) **United States Design Patent**
Vandiver

(10) **Patent No.:** **US D653,207 S**

(45) **Date of Patent:** **** Jan. 31, 2012**

(54) **PORTABLE ELECTRONIC DEVICE
RECHARGER**

(75) Inventor: **Jesse Vandiver**, Oxnard, CA (US)

(73) Assignee: **Scosche Industries, Inc.**, Oxnard, CA (US)

(**) Term: **14 Years**

(21) Appl. No.: **29/390,304**

(22) Filed: **Apr. 22, 2011**

(51) **LOC (9) Cl.** **13-02**

(52) **U.S. Cl.** **D13/108**

(58) **Field of Classification Search** D13/107–110,
D13/118–119, 184, 199; D14/251, 253,
D14/432, 434, 480.1, 480.3, 480.6, 480.7;
320/107–115; D8/356; D3/207–208, 218
See application file for complete search history.

(56) **References Cited**

U.S. PATENT DOCUMENTS

D459,338	S	*	6/2002	Sterzick	D14/196
D514,103	S	*	1/2006	Huang et al.	D14/480.6
D537,818	S	*	3/2007	Burton et al.	D14/480.1
D537,820	S	*	3/2007	Hsu	D14/480.1
D552,592	S	*	10/2007	Deguchi	D14/480.7
D580,354	S	*	11/2008	Dunbar et al.	D13/108
D600,693	S	*	9/2009	Maiers et al.	D14/480.6
D606,078	S	*	12/2009	Chen	D14/480.6
7,626,358	B2	*	12/2009	Lam et al.	320/114
7,746,029	B2	*	6/2010	Toya	320/107
D619,999	S	*	7/2010	Wu et al.	D14/240
D620,015	S	*	7/2010	Nan et al.	D14/480.6
D622,279	S	*	8/2010	Ma	D14/480.6
D624,747	S	*	10/2010	McSweyn	D3/208
D628,153	S	*	11/2010	Fujii et al.	D13/108
D628,535	S	*	12/2010	Cheng	D13/108
D631,053	S	*	1/2011	Bailey	D14/480.1
7,868,589	B2	*	1/2011	McSweyn et al.	320/114
D632,648	S	*	2/2011	Yang	D13/108
D639,789	S	*	6/2011	Kim et al.	D14/242
D639,790	S	*	6/2011	Kim	D14/242
D640,263	S	*	6/2011	Huang	D14/480.3

D641,695	S	*	7/2011	Wegener et al.	D13/108
D645,049	S	*	9/2011	Faranda et al.	D14/480.5
D645,050	S	*	9/2011	Faranda et al.	D14/480.5

* cited by examiner

Primary Examiner — Rosemary K Tarcza

(74) *Attorney, Agent, or Firm* — Arent Fox LLP

(57) **CLAIM**

The ornamental design for a portable electronic device recharger, as shown and described.

DESCRIPTION

FIG. 1 is a front perspective view of a portable electronic device recharger, according to one embodiment of the present invention;

FIG. 2 is a front view of the portable electronic device recharger illustrated in FIG. 1, according to one embodiment of the present invention;

FIG. 3 is a back view of the portable electronic device recharger illustrated in FIG. 1, according to one embodiment of the present invention;

FIG. 4 is a bottom view of the portable electronic device recharger illustrated in FIG. 1, according to one embodiment of the present invention;

FIG. 5 is a top view of the portable electronic device recharger illustrated in FIG. 1, according to one embodiment of the present invention;

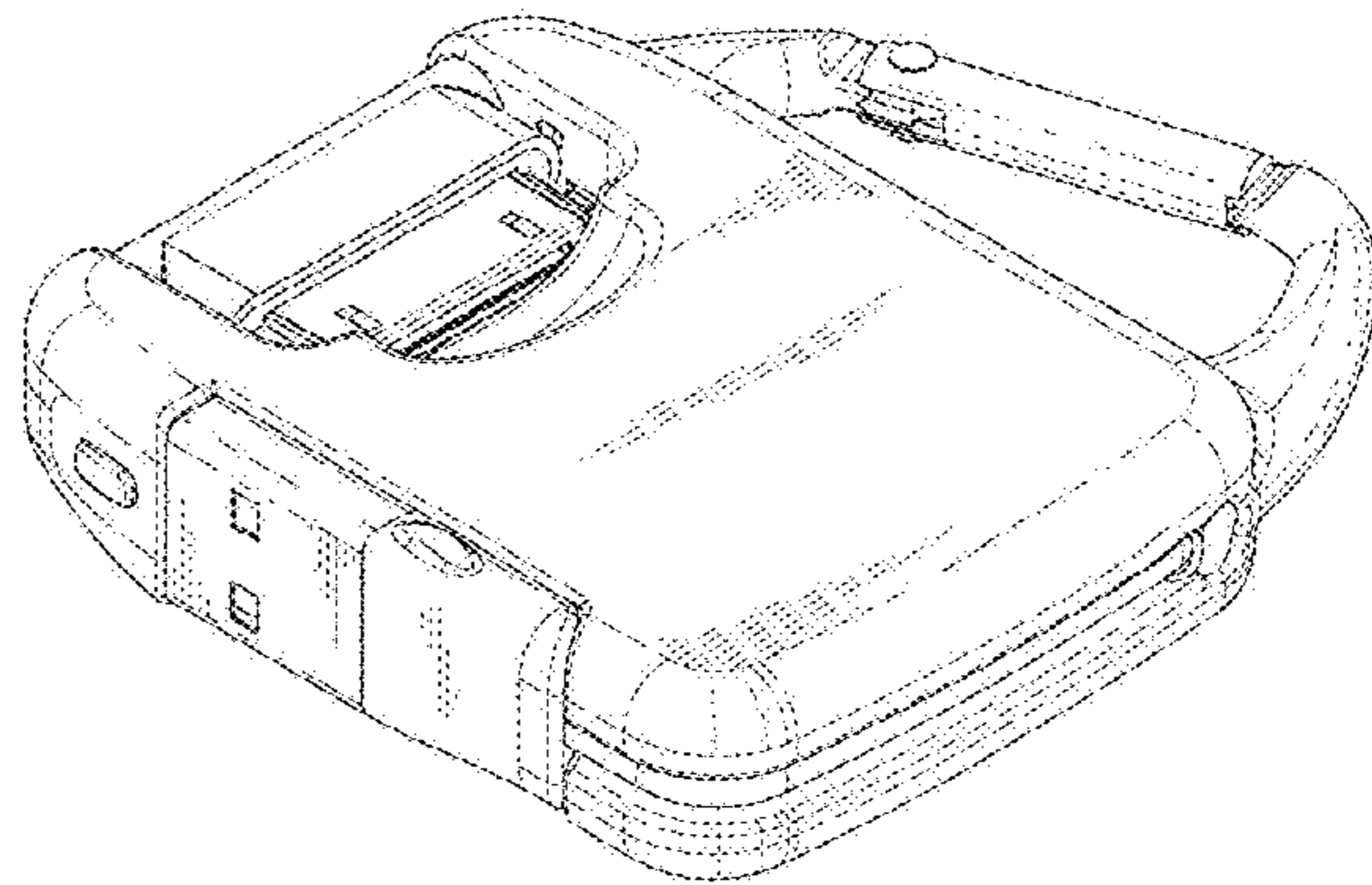
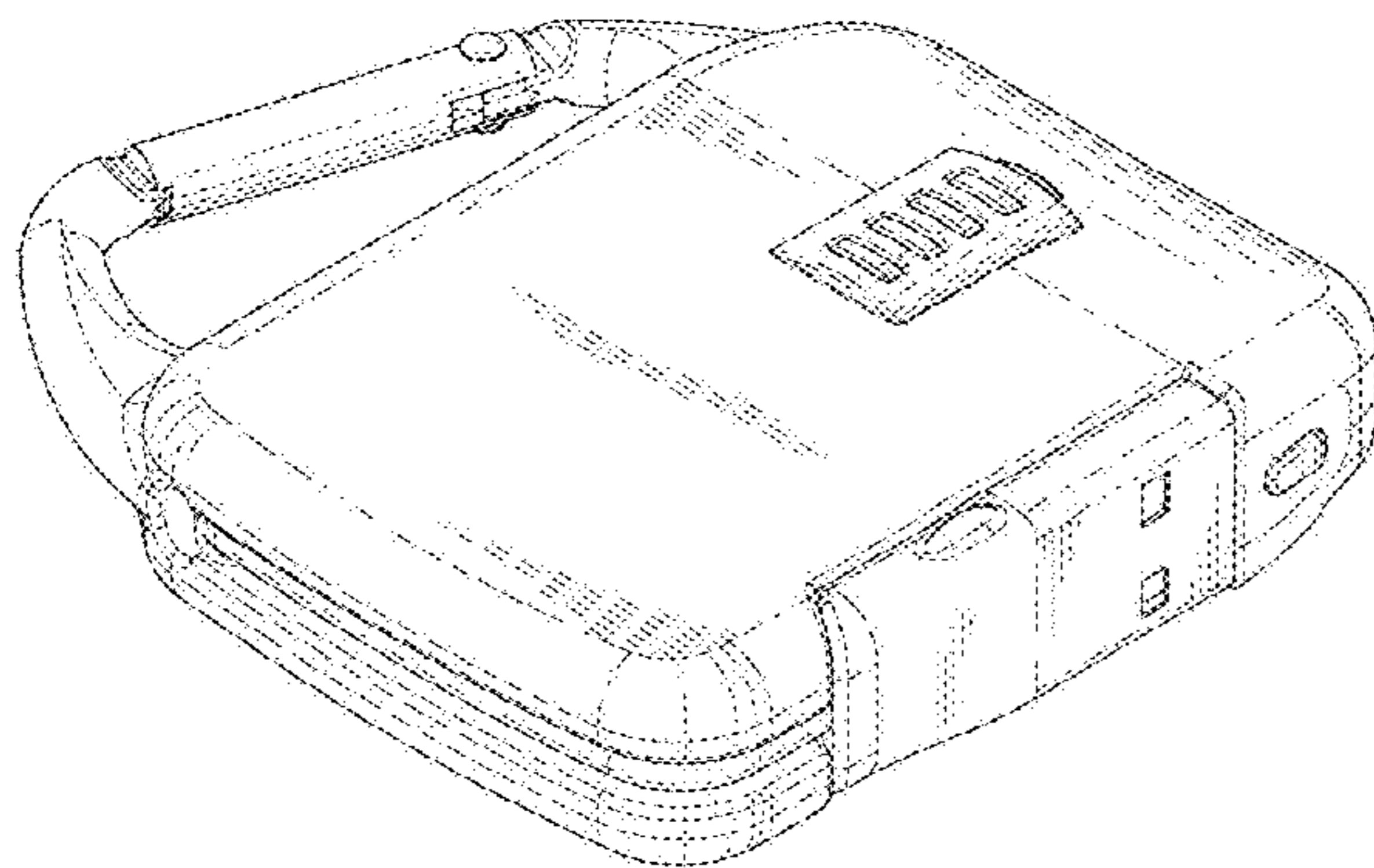
FIG. 6 is a right hand view of the portable electronic device recharger illustrated in FIG. 1, according to one embodiment of the present invention;

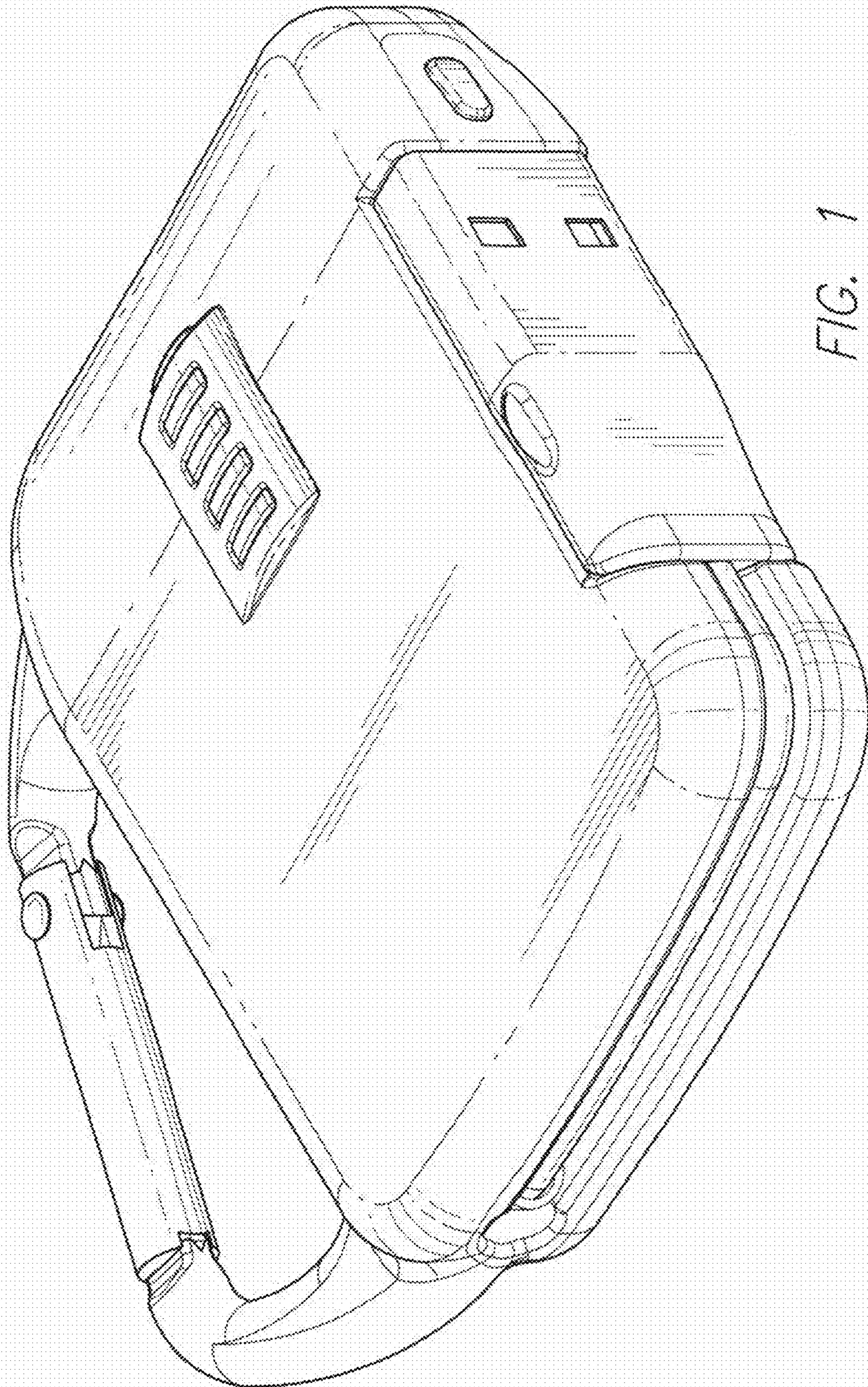
FIG. 7 is a left hand view of the portable electronic device recharger illustrated in FIG. 1, according to one embodiment of the present invention;

FIG. 8 is a back perspective view of the portable electronic device recharger illustrated in FIG. 1, according to one embodiment of the present invention; and,

FIG. 9 is a another back perspective view of the portable electronic device recharger, according to a second embodiment of the present invention.

1 Claim, 7 Drawing Sheets





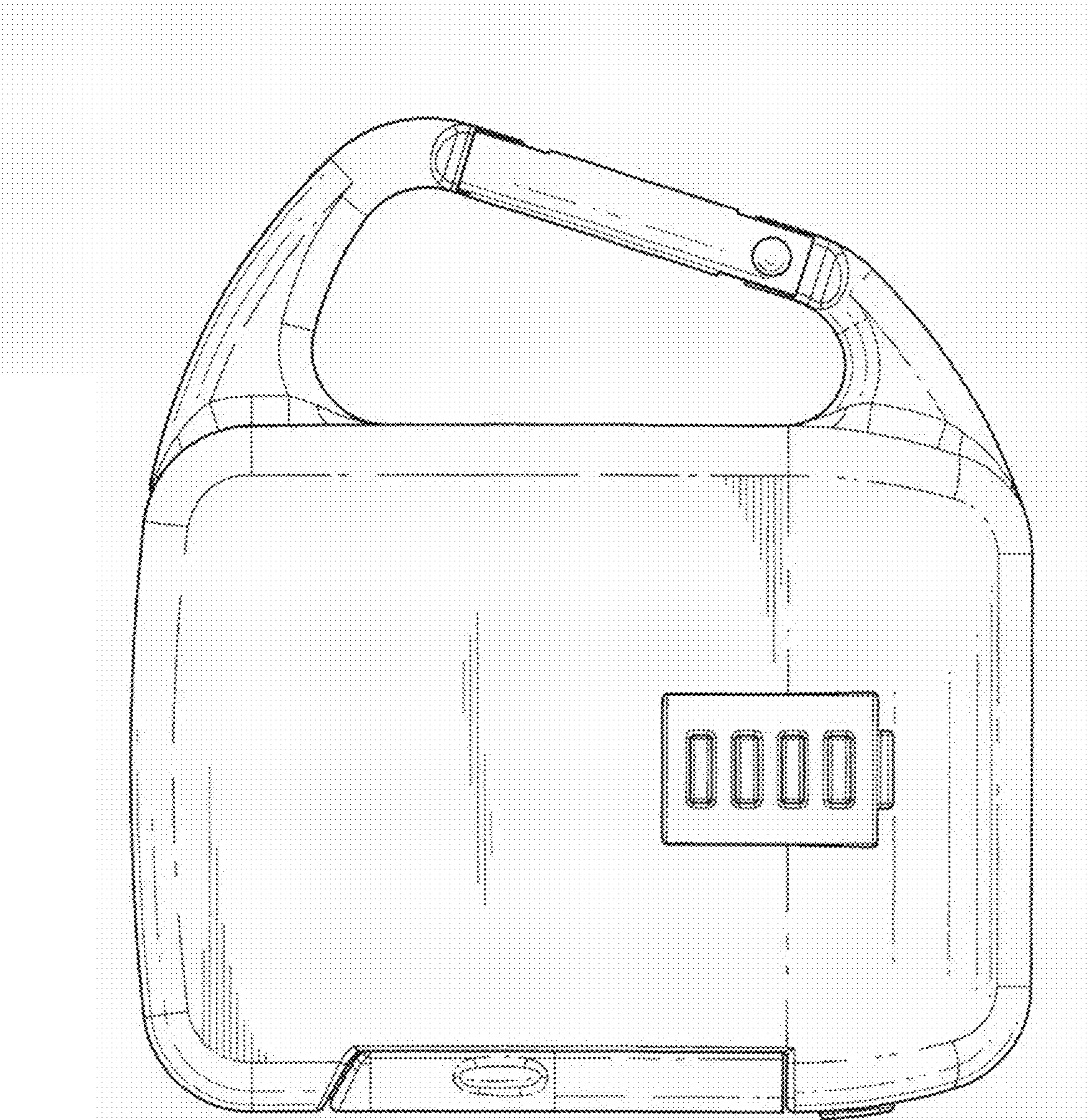


FIG. 2

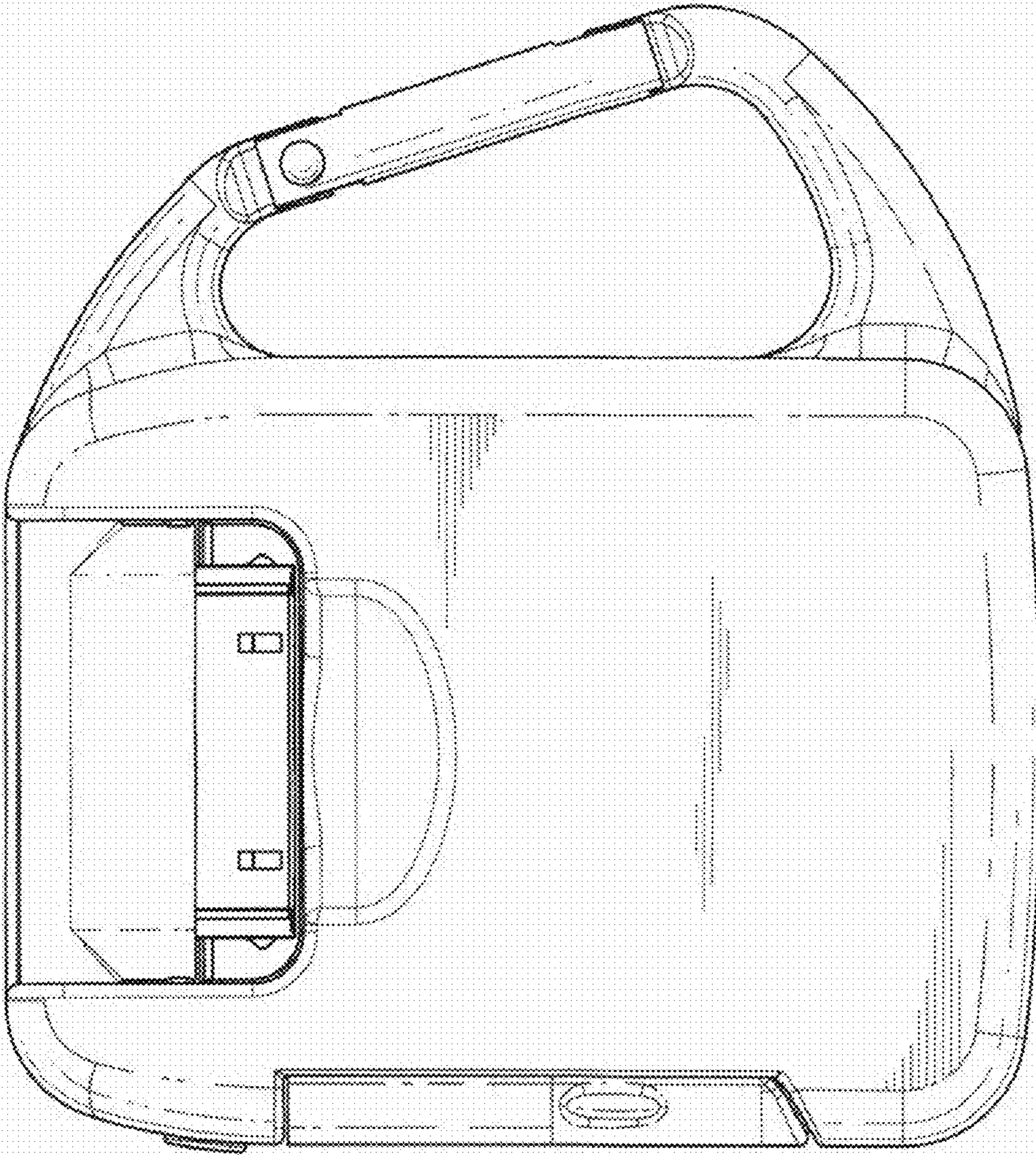


FIG. 3

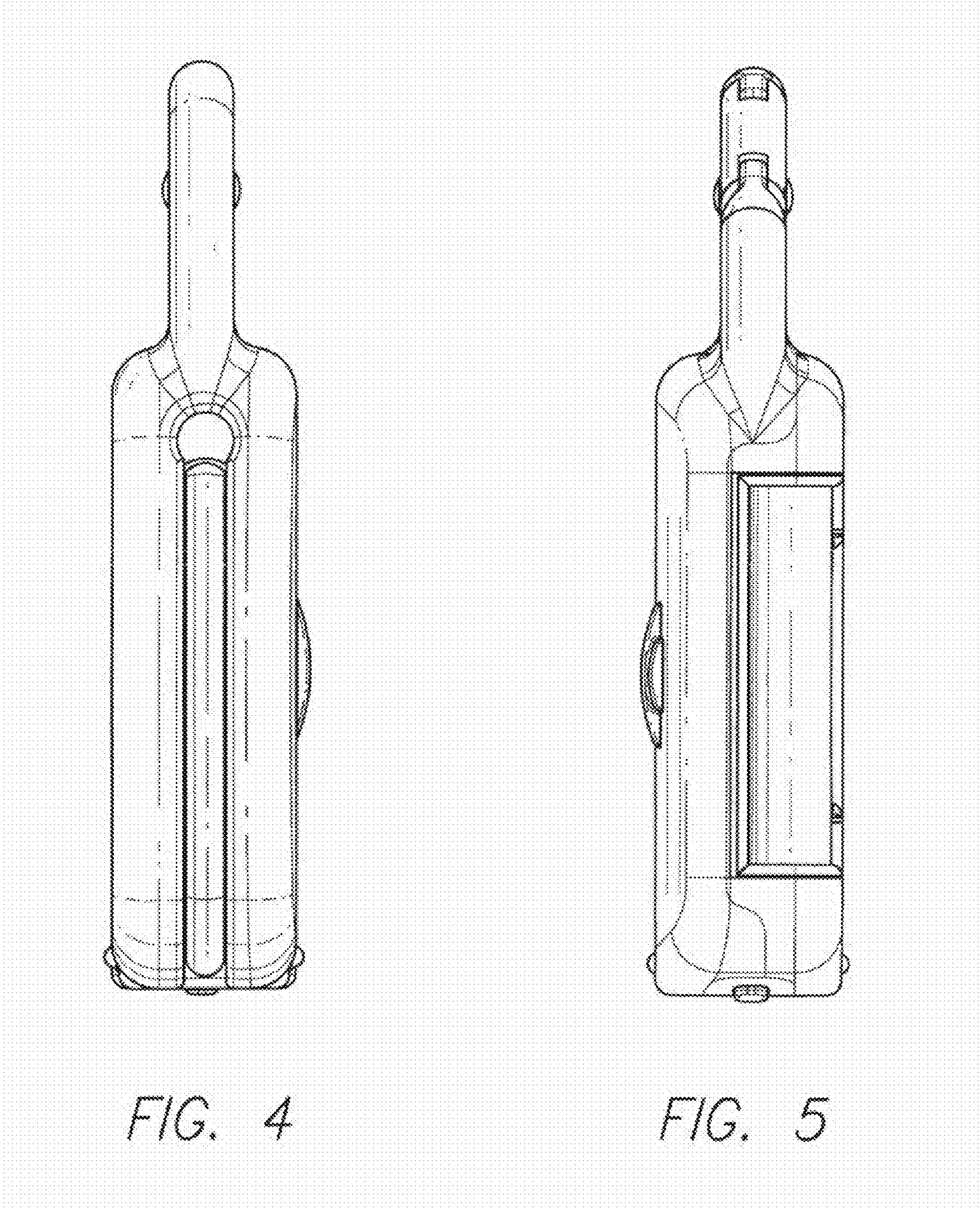


FIG. 4

FIG. 5

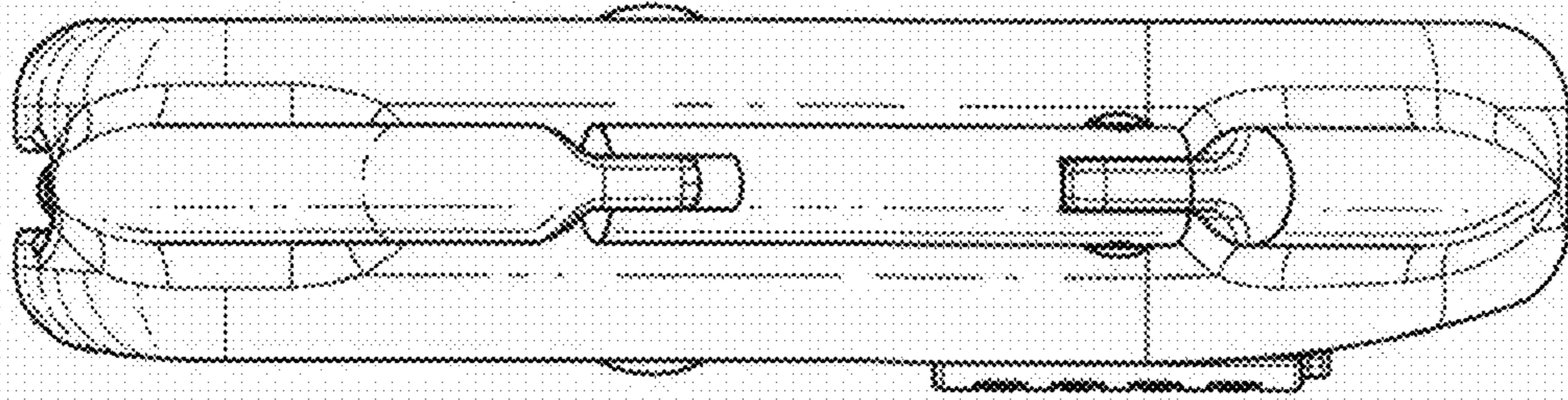


FIG. 6

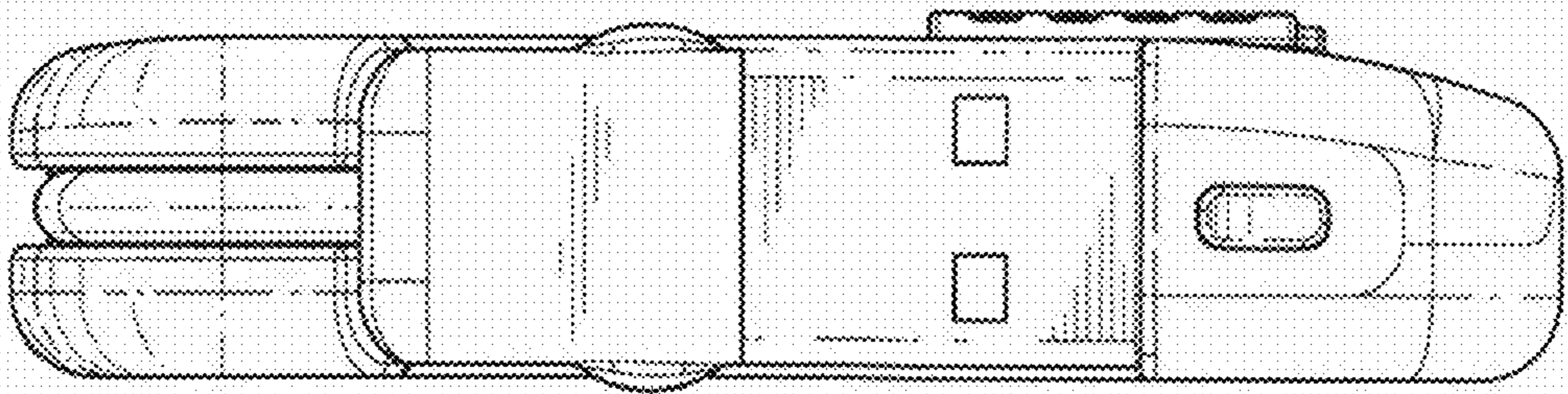
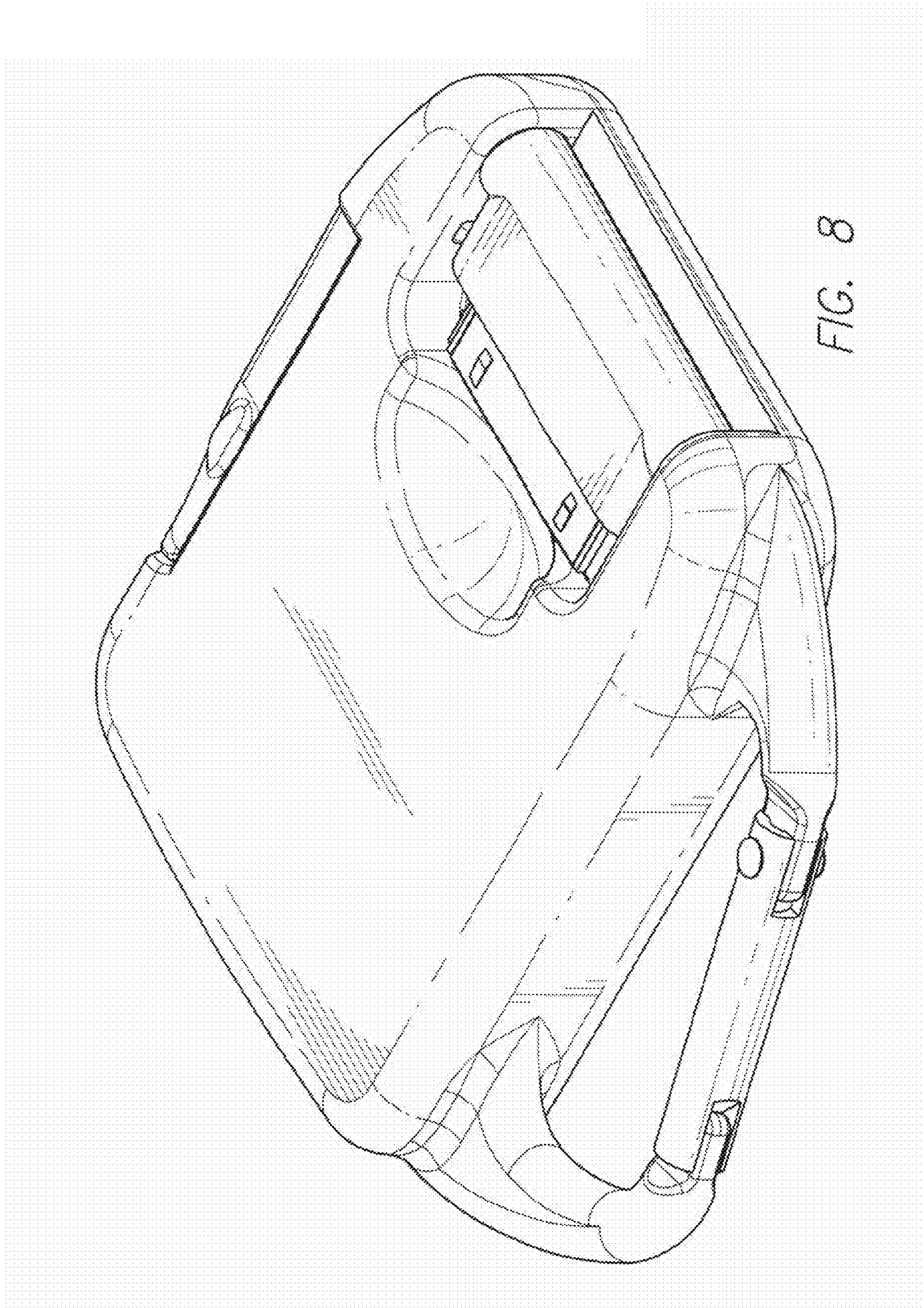


FIG. 7



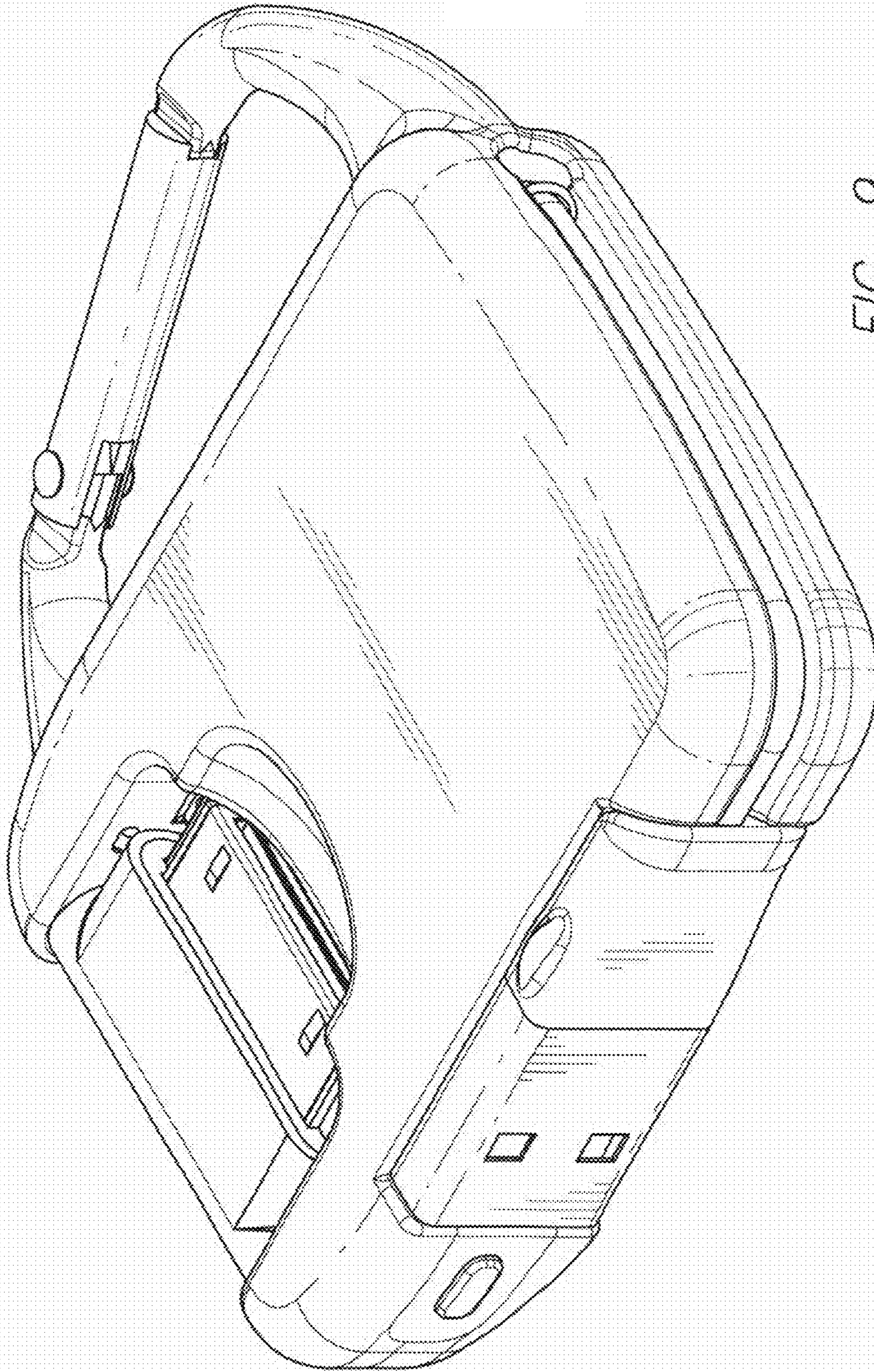


FIG. 9