



US00D653206S

(12) **United States Design Patent**
Heine et al.

(10) **Patent No.:** **US D653,206 S**
(45) **Date of Patent:** **** Jan. 31, 2012**

(54) **CHARGER FOR RECHARGEABLE BATTERIES FOR DIAGNOSTIC INSTRUMENTS**

(75) Inventors: **Oliver Heine**, Herrsching (DE); **Dirk Schade**, Penzberg (DE); **Anton Schneider**, Gilching (DE); **Bela Michael Rohrbacher**, Heidenheim a.d. Brenz (DE); **Kristian Kellner**, Puchheim (DE)

(73) Assignee: **Heine Optotechnik GmbH & Co. KG**, Herrsching (DE)

(**) Term: **14 Years**

(21) Appl. No.: **29/361,115**

(22) Filed: **May 5, 2010**

(30) **Foreign Application Priority Data**

Nov. 9, 2009 (EM) 001180731-0002

(51) **LOC (9) Cl.** **13-02**

(52) **U.S. Cl.** **D13/108**

(58) **Field of Classification Search** D13/107-110, D13/118-119, 184, 199; D14/251, 253, D14/432, 434; 320/107-115

See application file for complete search history.

(56) **References Cited**

U.S. PATENT DOCUMENTS

D193,664 S * 9/1962 Armbruster D13/108
4,288,733 A * 9/1981 Bilanceri et al. 320/113

D348,428 S * 7/1994 Gallagher et al. D13/108
D401,552 S * 11/1998 Tanaka et al. D13/107
D402,258 S * 12/1998 Kawakami D13/107
D402,957 S * 12/1998 Kuwayama et al. D13/108
D453,731 S * 2/2002 Hauptli D13/108
D510,562 S * 10/2005 Lodato et al. D13/108

* cited by examiner

Primary Examiner — Rosemary K Tarcza

(74) *Attorney, Agent, or Firm* — Rothwell, Figg, Ernst & Manbeck, P.C.

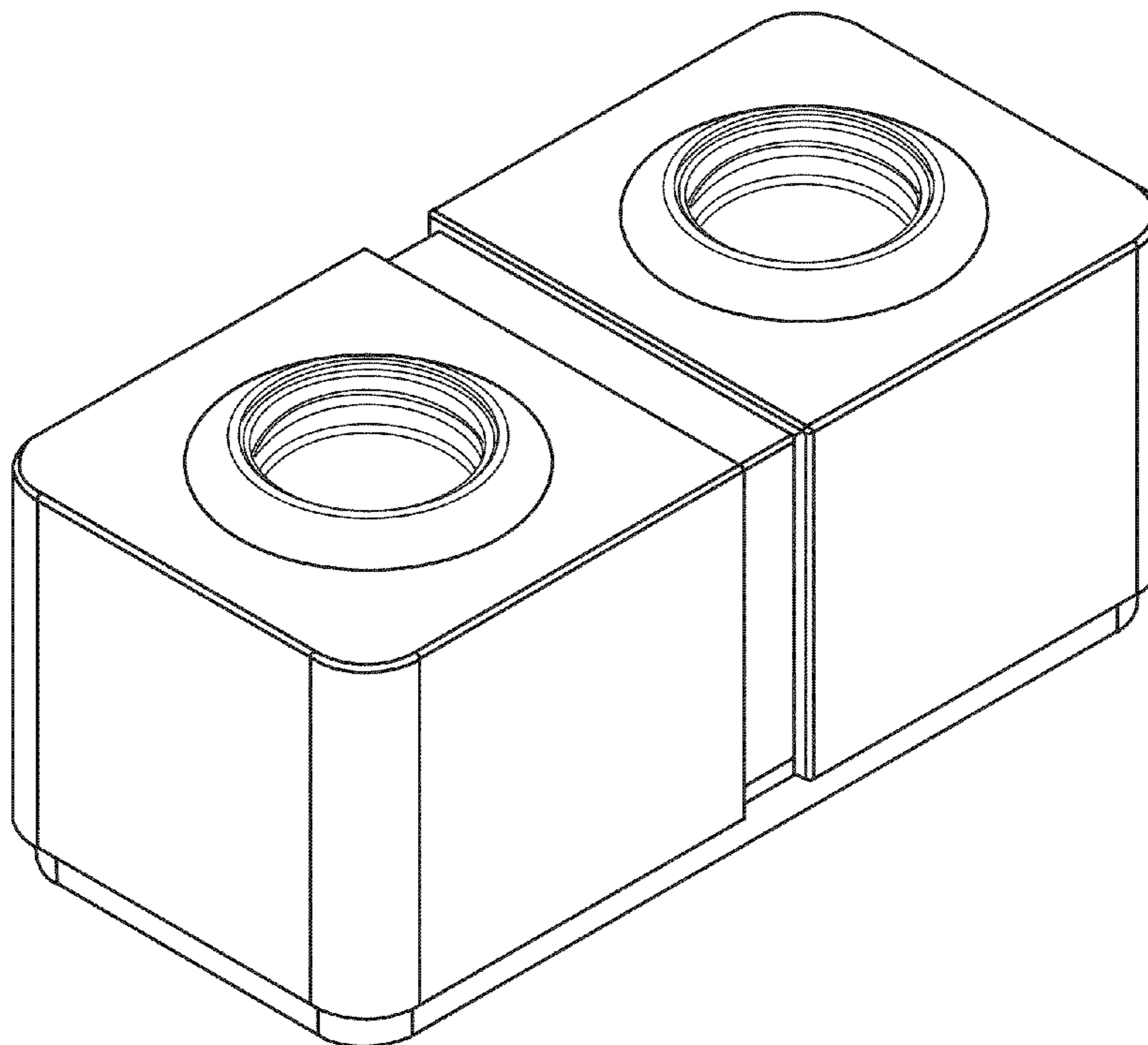
(57) **CLAIM**

The ornamental design for a charger for rechargeable batteries for diagnostic instruments, as shown and described.

DESCRIPTION

FIG. 1 shows a perspective view of the charger for rechargeable batteries for diagnostic instruments;
FIG. 2 shows a front elevation view of the charger for rechargeable batteries for diagnostic instruments;
FIG. 3 shows a right side elevation of the charger for rechargeable batteries for diagnostic instruments;
FIG. 4 shows a left side elevation of the charger for rechargeable batteries for diagnostic instruments;
FIG. 5 shows a rear elevation of the charger for rechargeable batteries for diagnostic instruments;
FIG. 6 shows a top plan view of the charger for rechargeable batteries for diagnostic instruments; and,
FIG. 7 shows a bottom plan view of the charger for rechargeable batteries for diagnostic instruments.

1 Claim, 6 Drawing Sheets



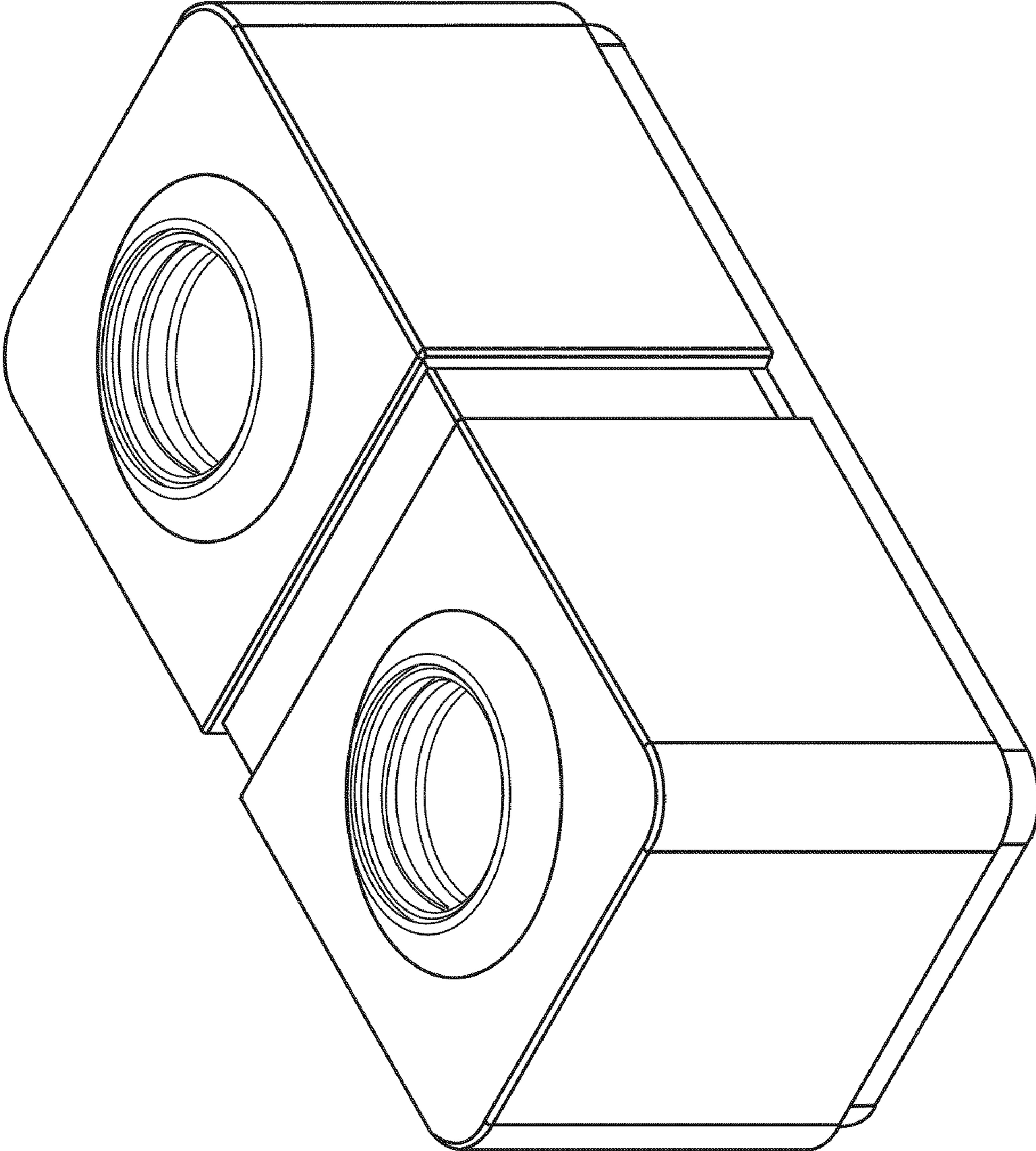


Fig. 1

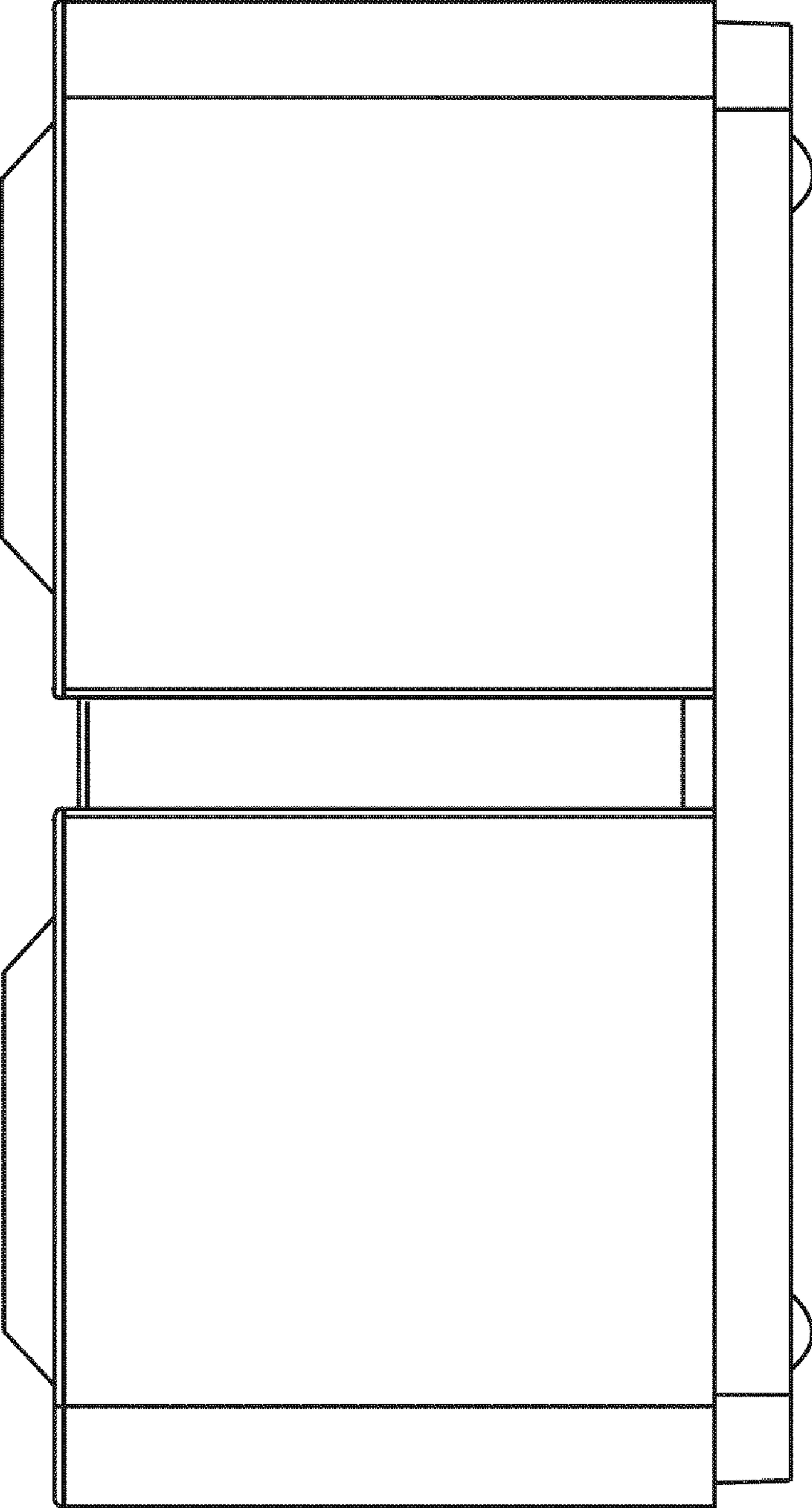


Fig. 2

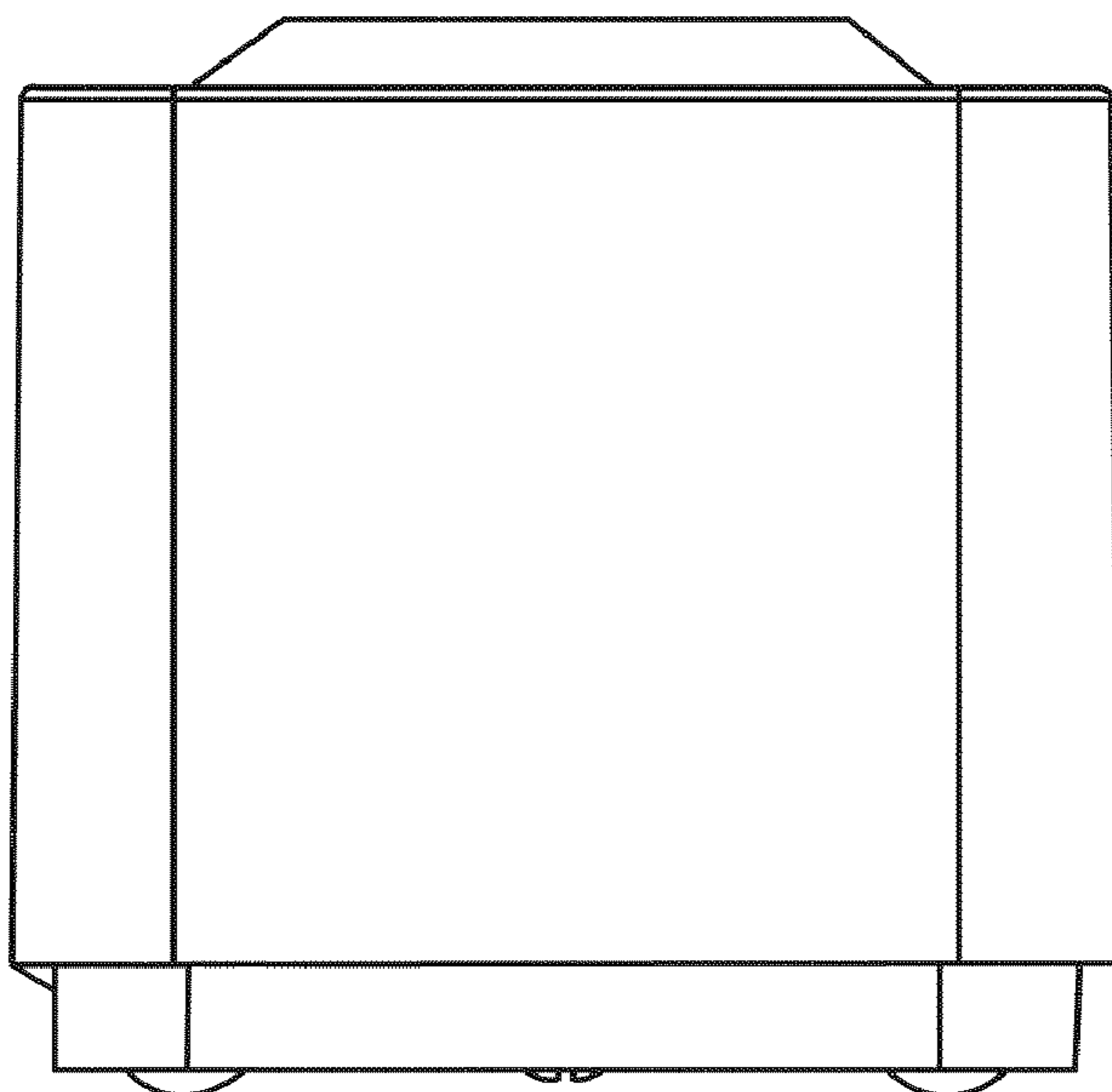


Fig. 3

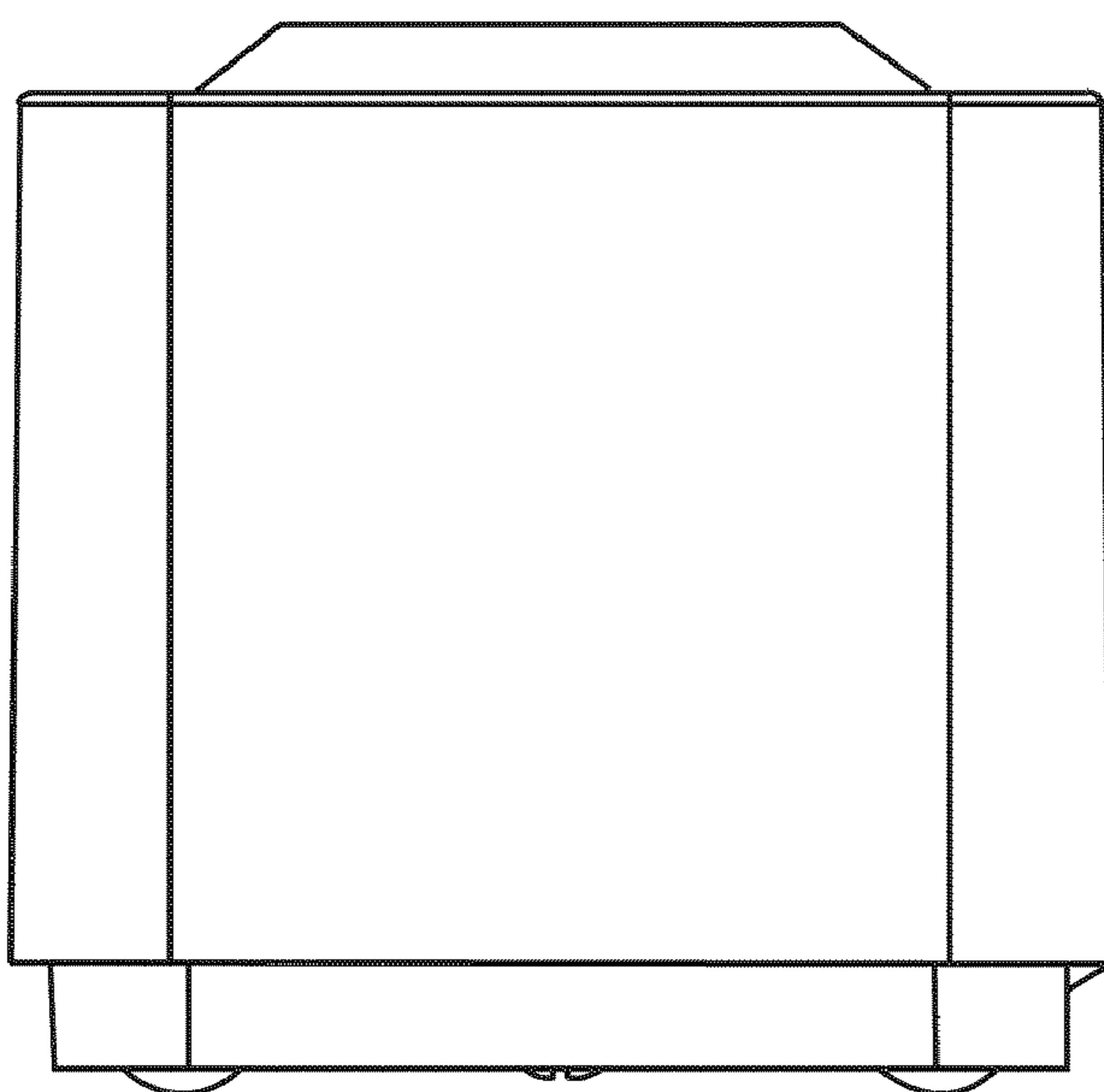


Fig. 4

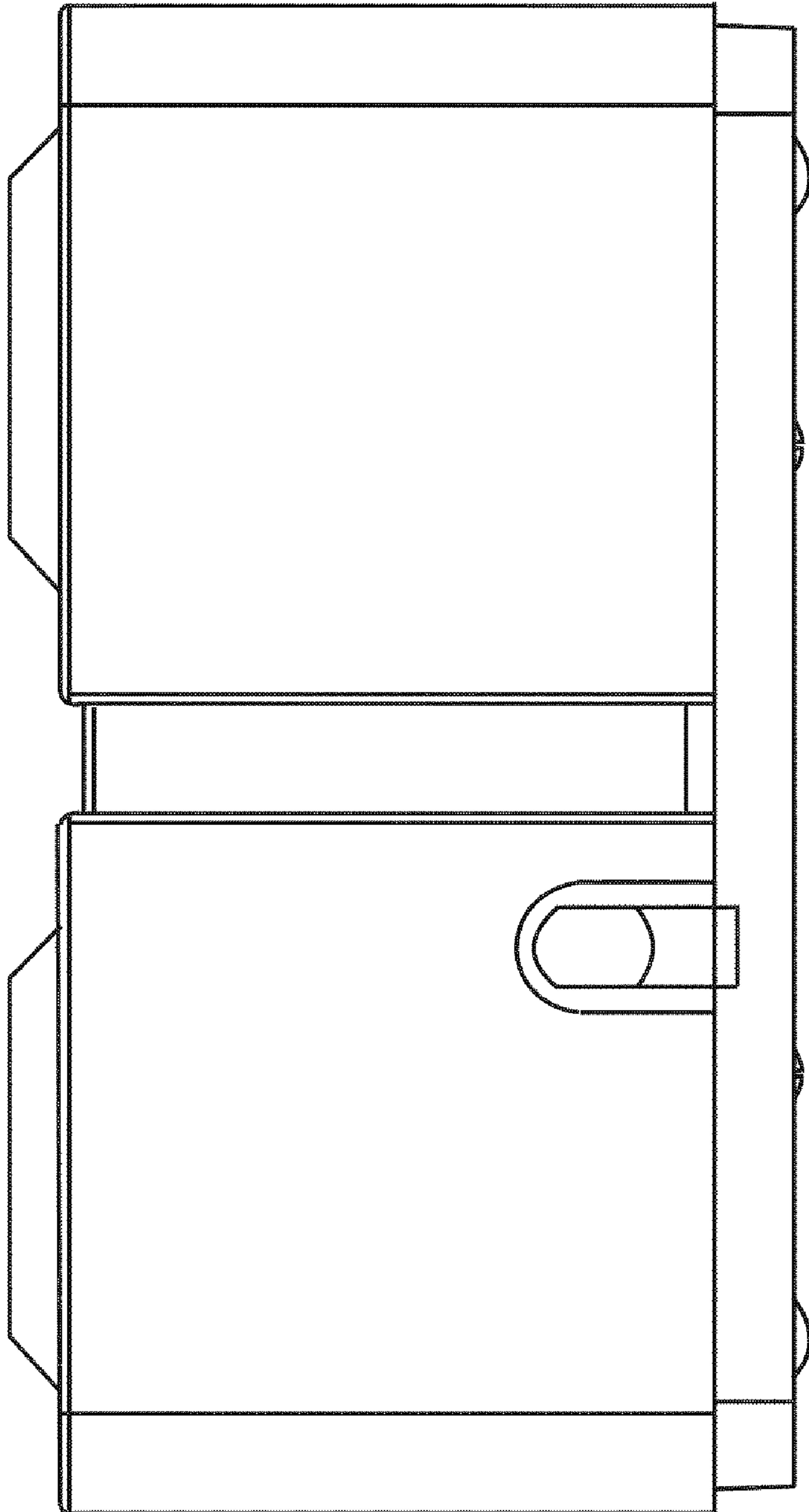
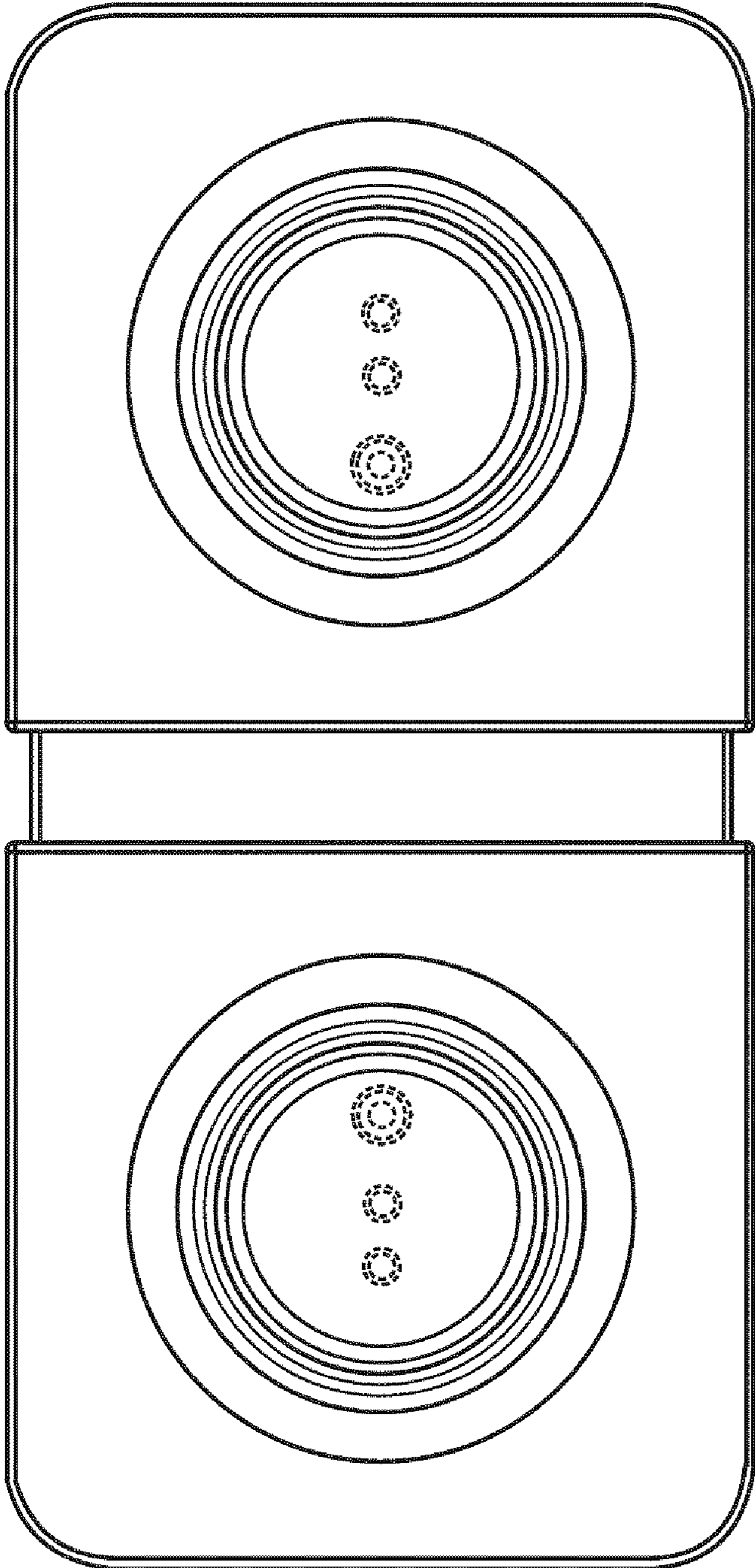


Fig. 5

Fig. 6



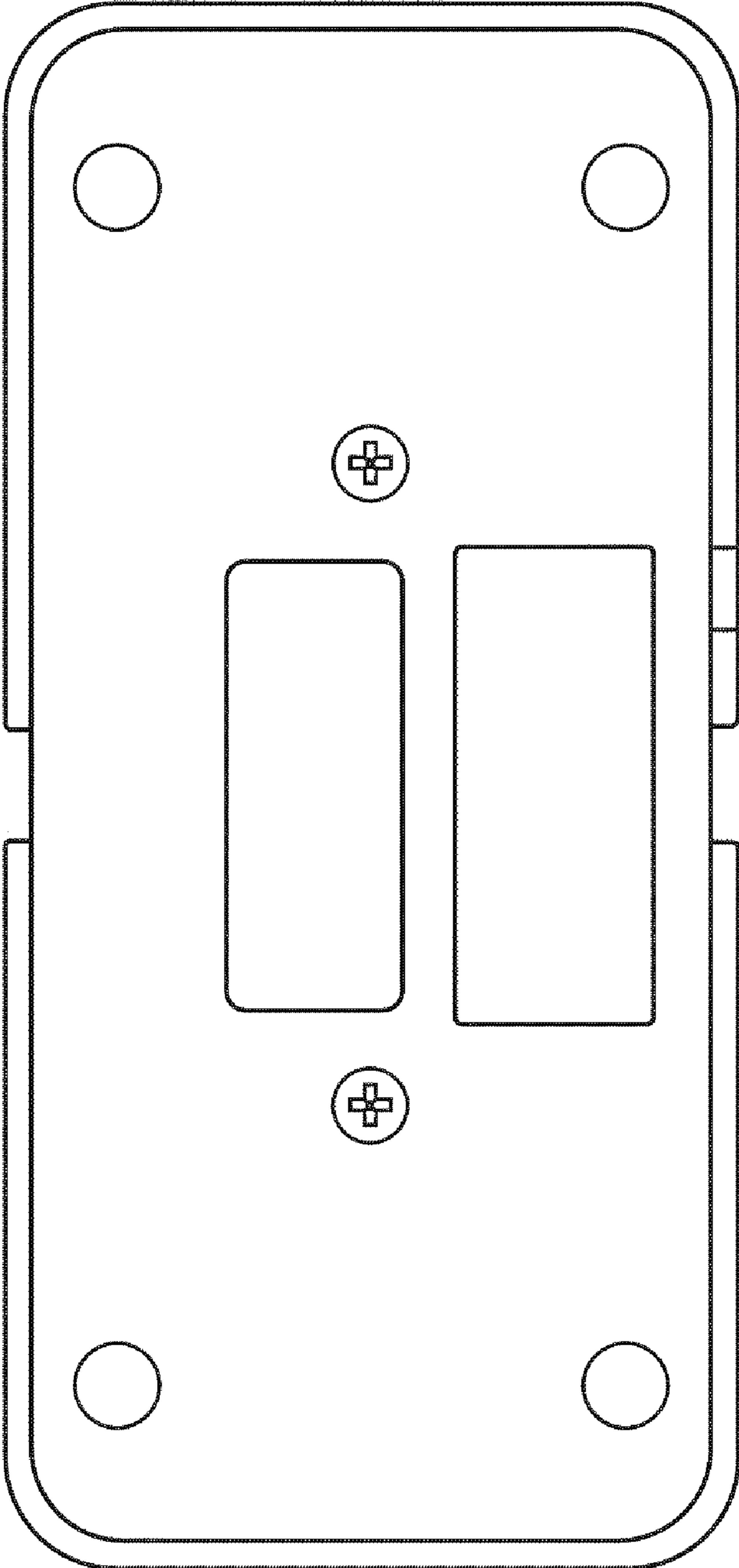


Fig. 7