



US00D653204S

(12) **United States Design Patent**  
**Whiting et al.**

(10) **Patent No.:** **US D653,204 S**  
(45) **Date of Patent:** **\*\* Jan. 31, 2012**

(54) **BATTERY BOOSTER PACK**

(75) Inventors: **John S. Whiting**, Arlington Heights, IL (US); **Patrick J. Clarke**, St. Charles, IL (US); **Randall L. Lawson**, Hoopston, IL (US); **Samuel I. Weisbard**, Highland Park, IL (US); **Steven R. Hawkins**, Burnsville, MN (US); **Mark F. Kurth**, Chicago, IL (US); **Timothy J. Payne**, Chicago, IL (US)

(73) Assignee: **Schumacher Electric Corporation**, Mt. Prospect, IL (US)

(\*\*) Term: **14 Years**

(21) Appl. No.: **29/376,140**

(22) Filed: **Oct. 1, 2010**

(51) **LOC (9) Cl.** ..... **13-02**

(52) **U.S. Cl.** ..... **D13/107**

(58) **Field of Classification Search** ..... D13/106-110,  
D13/118-119, 184, 199; D15/9; 320/103-105,  
320/107-115

See application file for complete search history.

(56) **References Cited**

**U.S. PATENT DOCUMENTS**

D466,862 S \* 12/2002 Casarella ..... D13/107  
D484,852 S \* 1/2004 James et al. .... D13/107

(Continued)

**OTHER PUBLICATIONS**

U.S. Appl. No. 29/397,223, filed Jul. 13, 2011, Whiting et al.

(Continued)

*Primary Examiner* — Rosemary K Tarcza

(74) *Attorney, Agent, or Firm* — John S. Paniaguas; Katten Muchin Rosenman LLP

(57) **CLAIM**

The ornamental design for a battery booster pack, as shown and described.

**DESCRIPTION**

FIG. 1 is a front isometric view of a first embodiment of a battery booster pack in accordance with the present invention. FIG. 2 is a back isometric view of a first embodiment of a battery booster pack in accordance with the present invention. FIG. 3 is a front elevation view of the battery booster pack illustrated in FIGS. 1 and 2.

FIG. 4 is a rear elevation view of the battery booster pack illustrated in FIGS. 1 and 2.

FIG. 5 is a left side elevation view of the battery booster pack illustrated in FIGS. 1 and 2.

FIG. 6 is a right side elevation view of the battery booster pack illustrated in FIGS. 1 and 2.

FIG. 7 is a top plan view of the battery booster pack illustrated in FIGS. 1 and 2.

FIG. 8 is a front isometric view of a second embodiment of a battery booster pack in accordance with the present invention.

FIG. 9 is a back isometric view of a second embodiment of a battery booster pack in accordance with the present invention.

FIG. 10 is a front elevation view of the battery booster pack illustrated in FIGS. 8 and 9.

FIG. 11 is a rear elevation view of the battery booster pack illustrated in FIGS. 8 and 9.

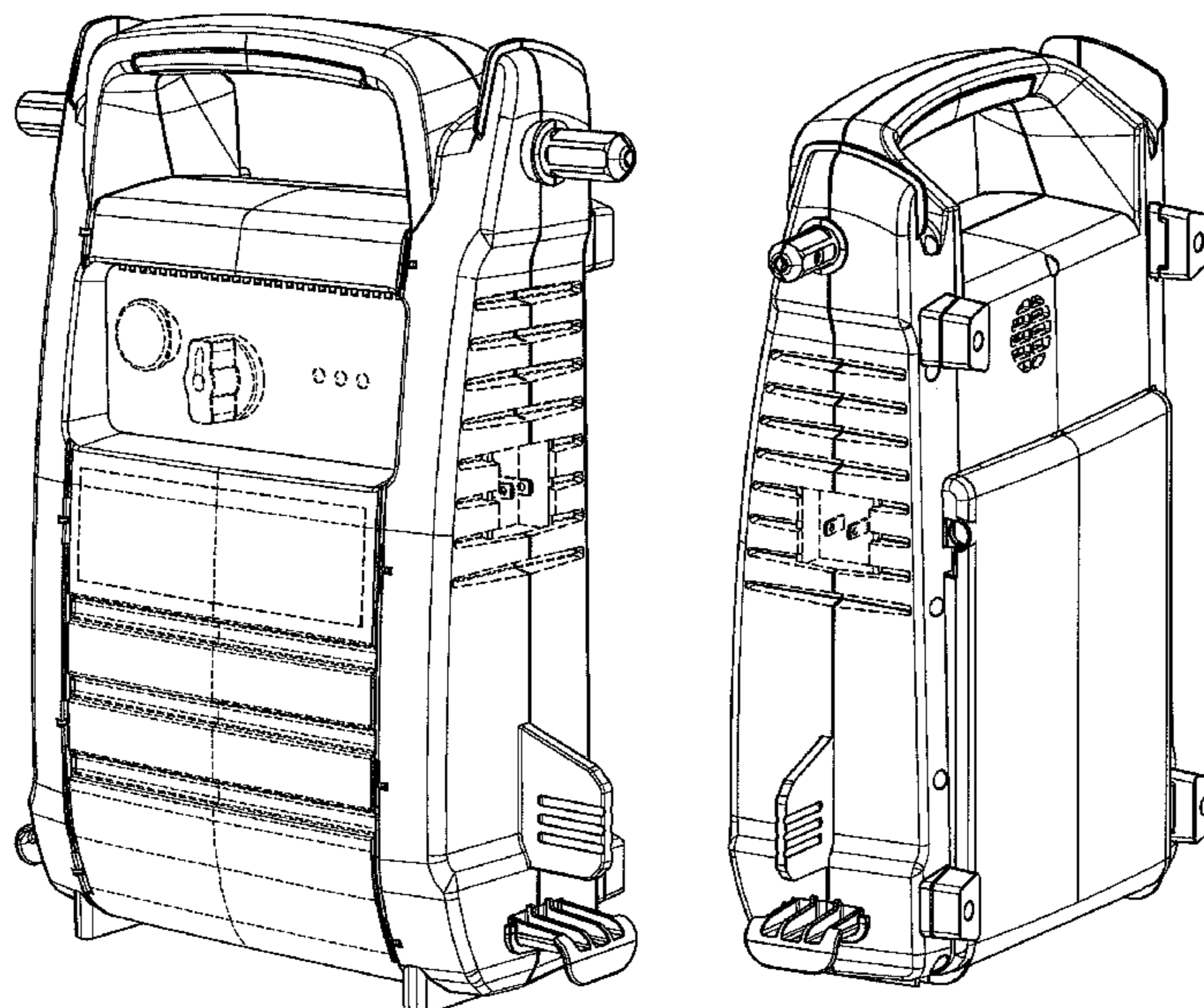
FIG. 12 is a left side elevation view of the battery booster pack illustrated in FIGS. 8 and 9.

FIG. 13 is a right side elevation view of the battery booster pack illustrated in FIGS. 8 and 9; and,

FIG. 14 is a top plan view of the battery booster pack illustrated in FIGS. 8 and 9.

The broken lines shown in the drawings are included for the purpose of illustrating environmental structure and form no part of the claimed design.

**1 Claim, 8 Drawing Sheets**



# US D653,204 S

Page 2

---

## U.S. PATENT DOCUMENTS

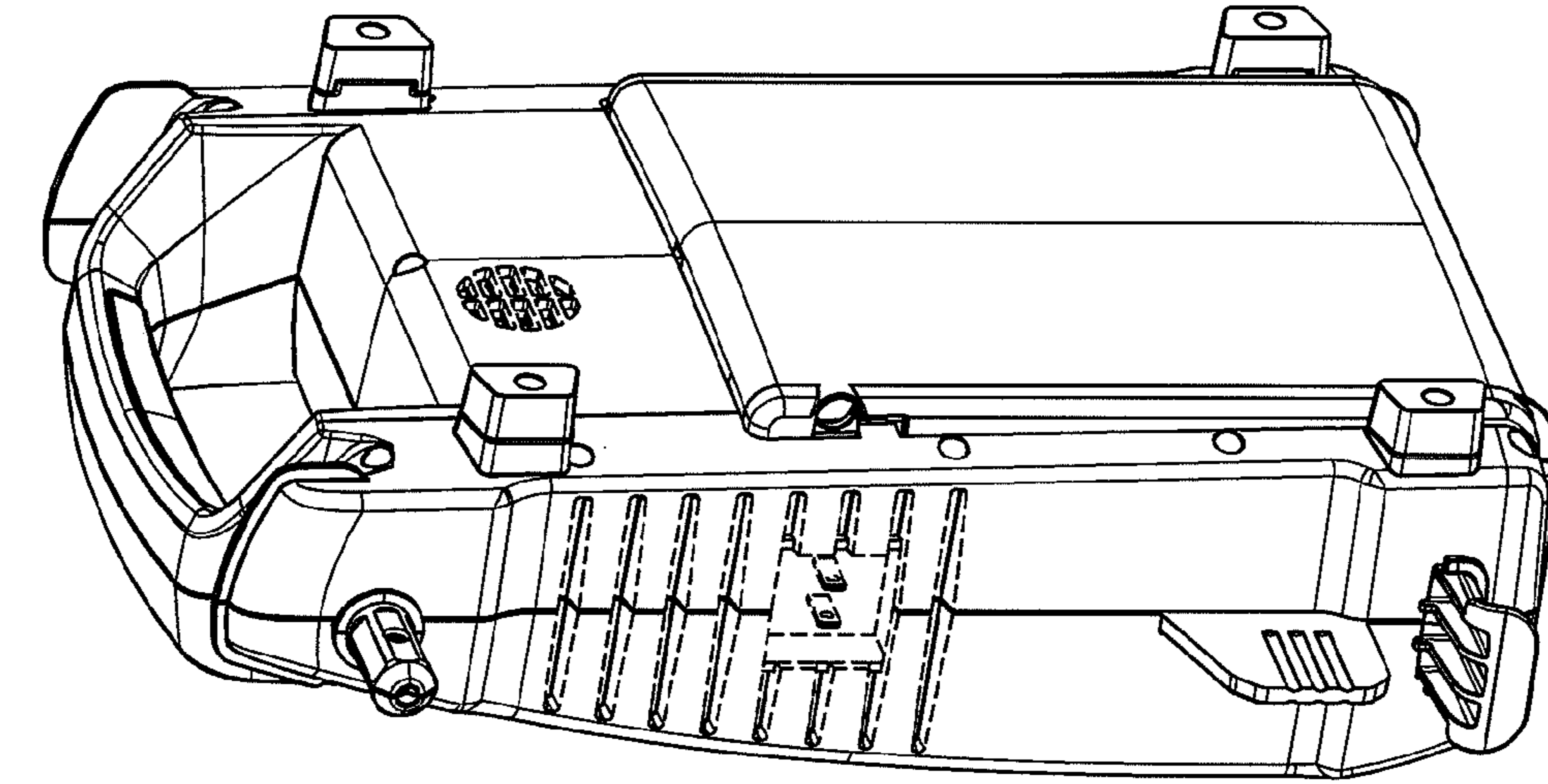
D495,993 S \* 9/2004 Krieger et al. .... D13/107  
D503,377 S \* 3/2005 Krieger et al. .... D13/107  
D503,378 S \* 3/2005 Hussaini et al. .... D13/107  
D504,396 S \* 4/2005 Hussaini et al. .... D13/107  
D504,661 S \* 5/2005 Krieger et al. .... D13/107  
D506,181 S \* 6/2005 Krieger et al. .... D13/107  
D514,509 S \* 2/2006 Krieger et al. .... D13/107  
D530,664 S \* 10/2006 Wingerter et al. .... D13/107  
D545,269 S \* 6/2007 Dayan ..... D13/107  
D545,270 S \* 6/2007 Dayan ..... D13/107

D593,941 S \* 6/2009 Ellsworth ..... D13/107  
D595,222 S \* 6/2009 Ellsworth ..... D13/107  
D601,495 S \* 10/2009 Shum et al. .... D13/107  
D609,633 S \* 2/2010 Daniels et al. .... D13/107  
D609,635 S \* 2/2010 Daniels et al. .... D13/107  
D620,881 S \* 8/2010 Daniels et al. .... D13/107

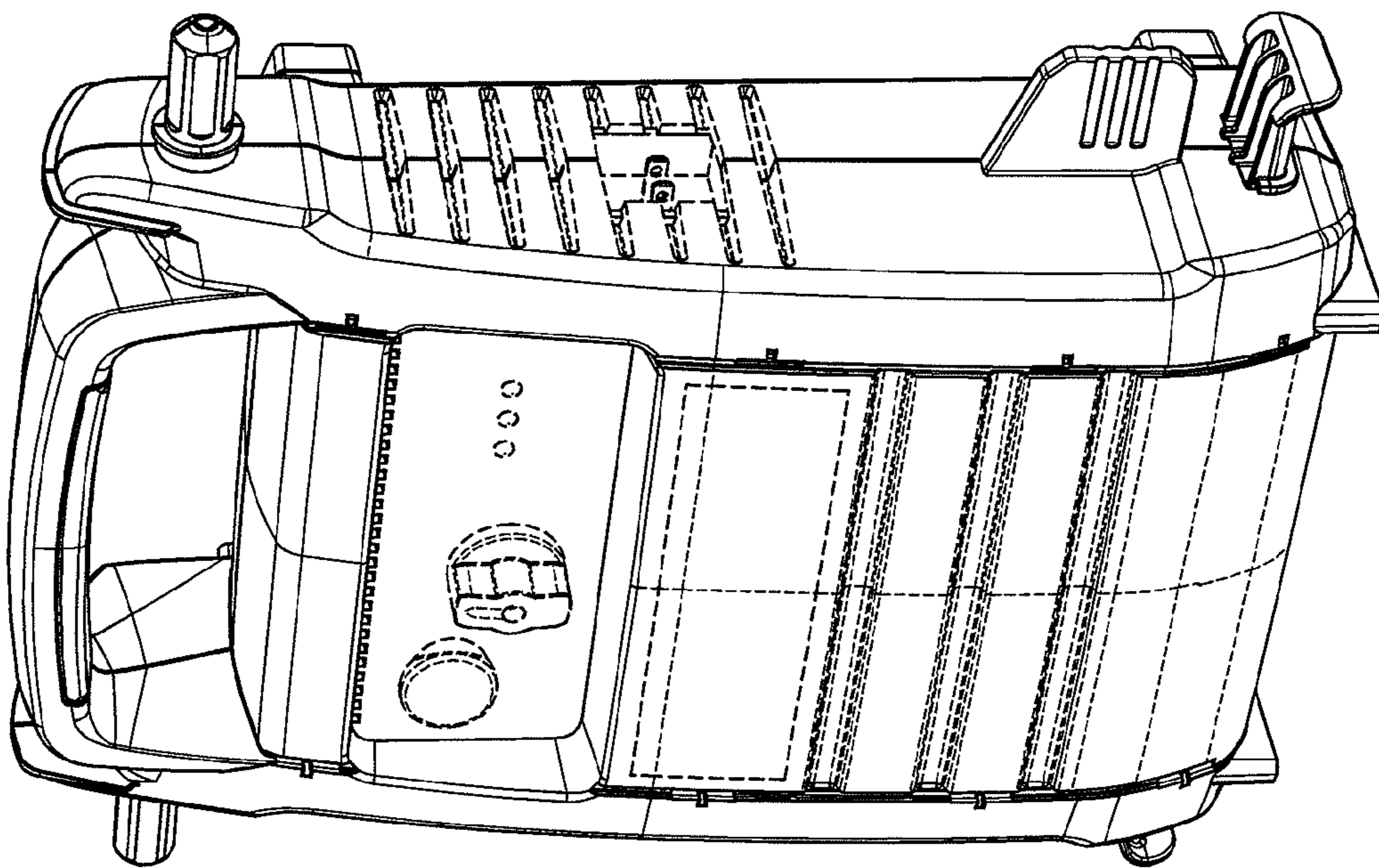
## OTHER PUBLICATIONS

U.S. Appl. No. 29/397,220, filed Jul. 13, 2011, Whiting et al.

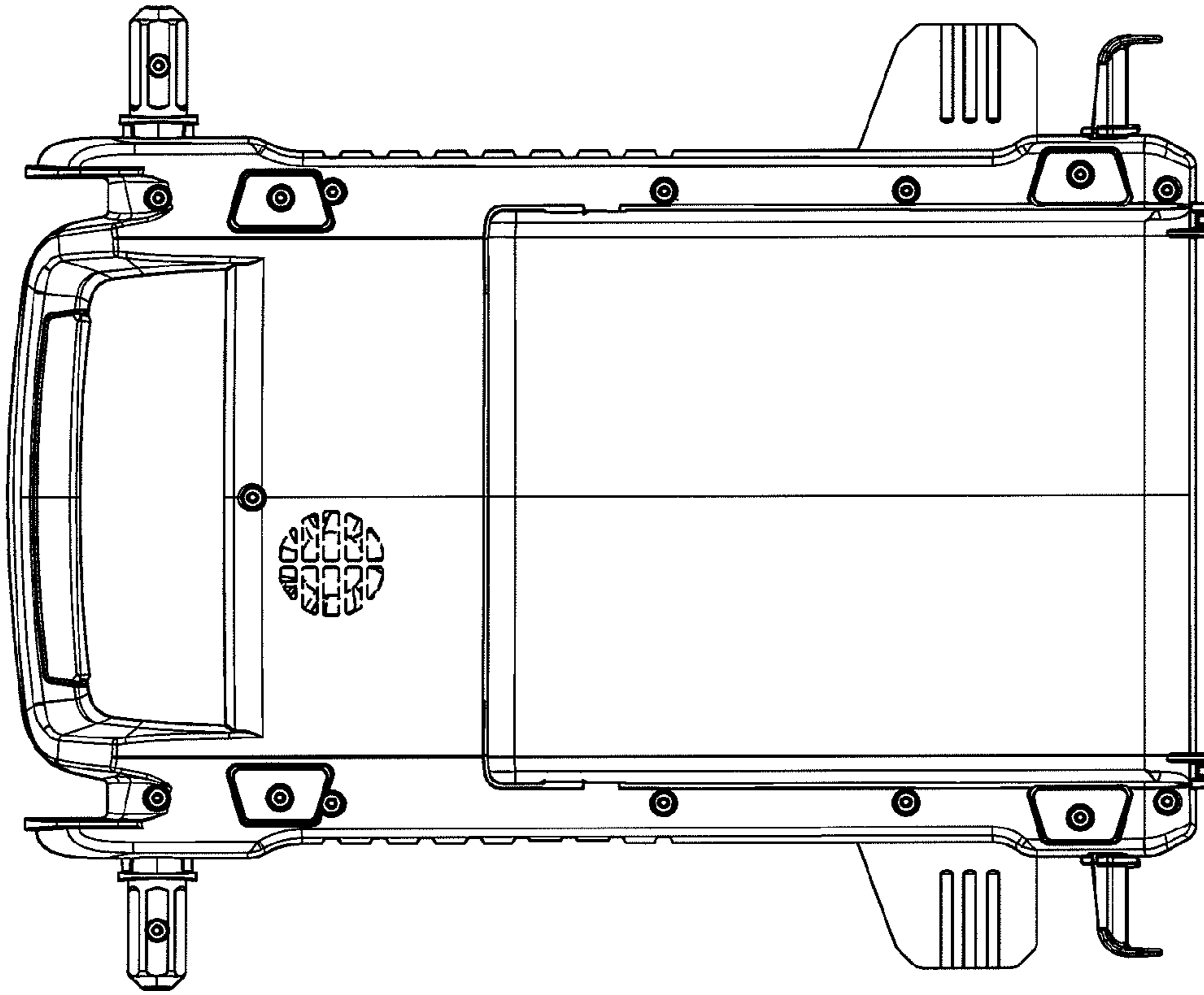
\* cited by examiner



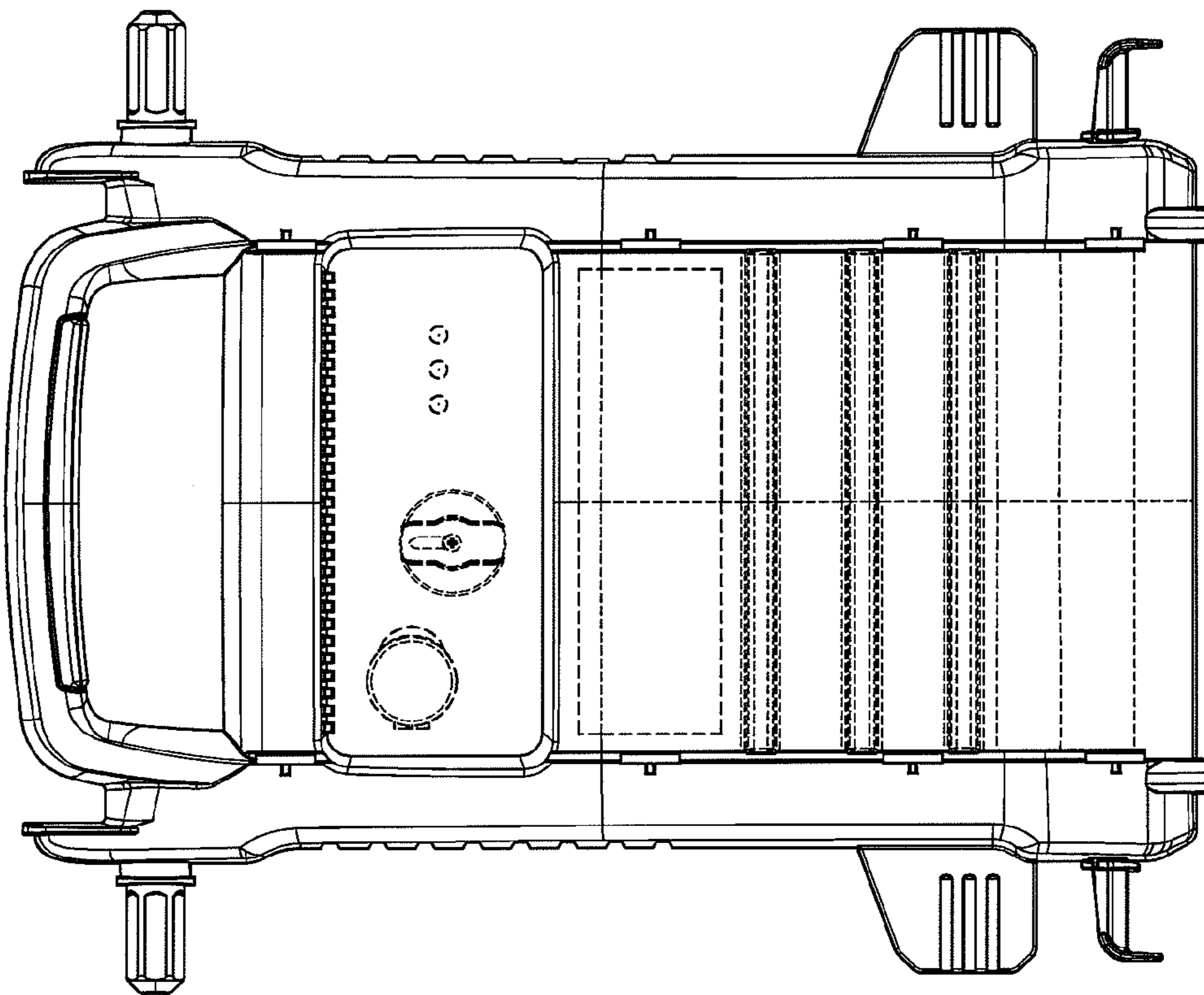
*Fig. 2*



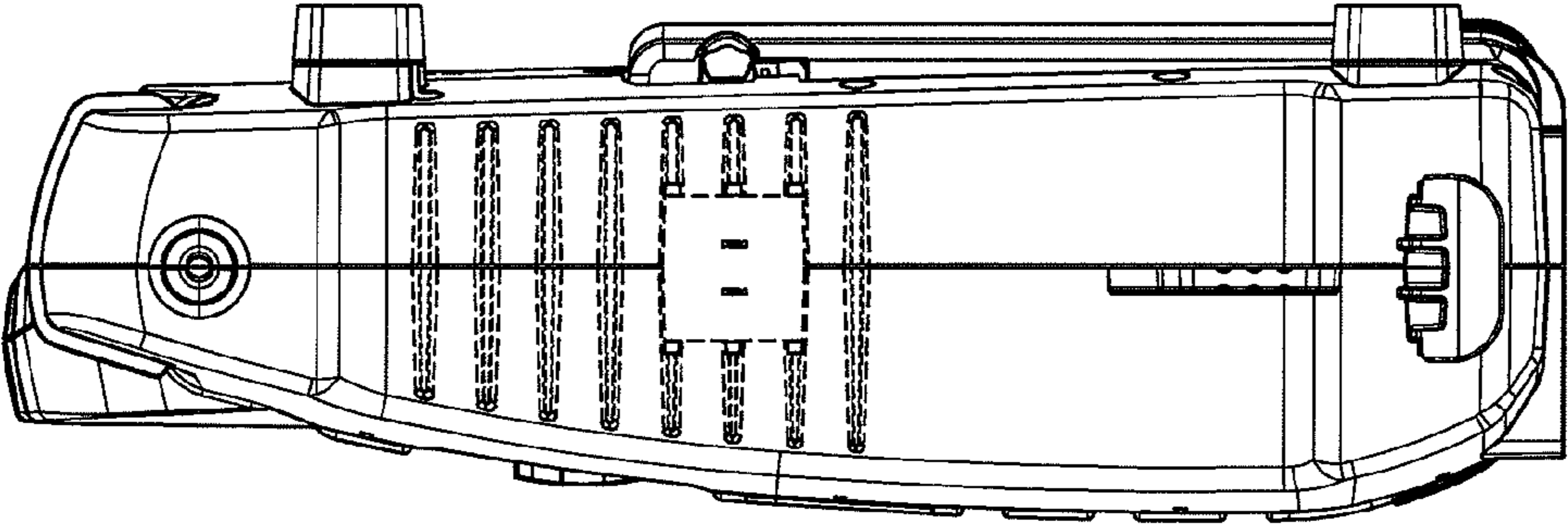
*Fig. 1*



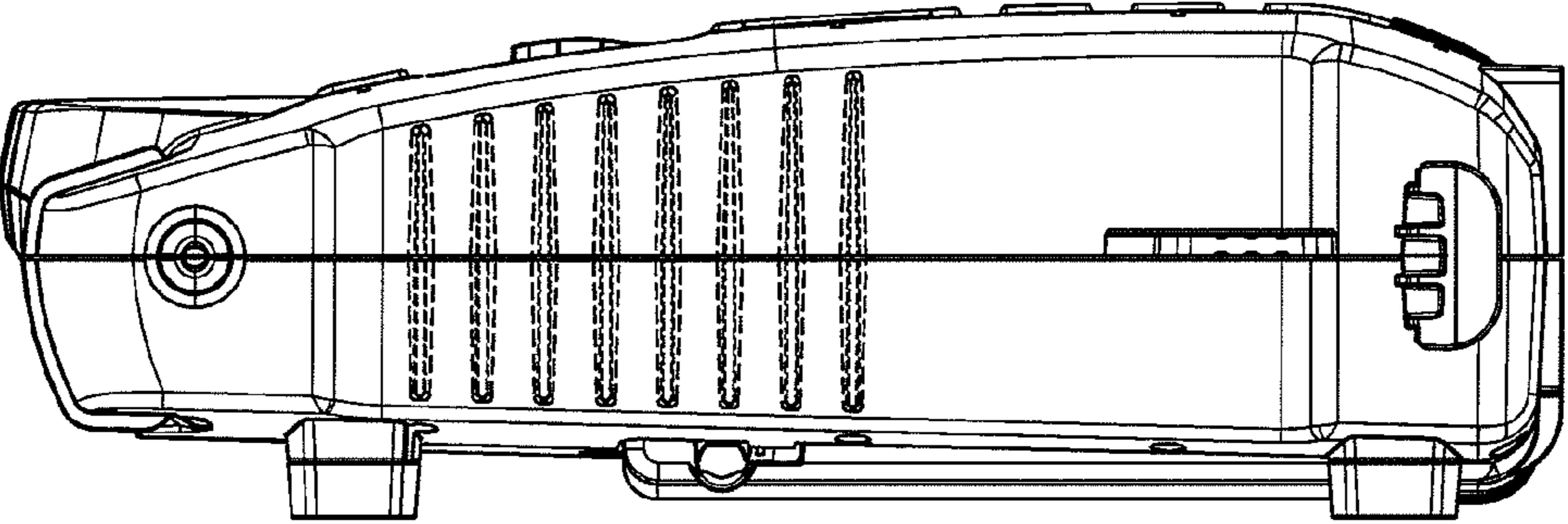
*Fig. 4*



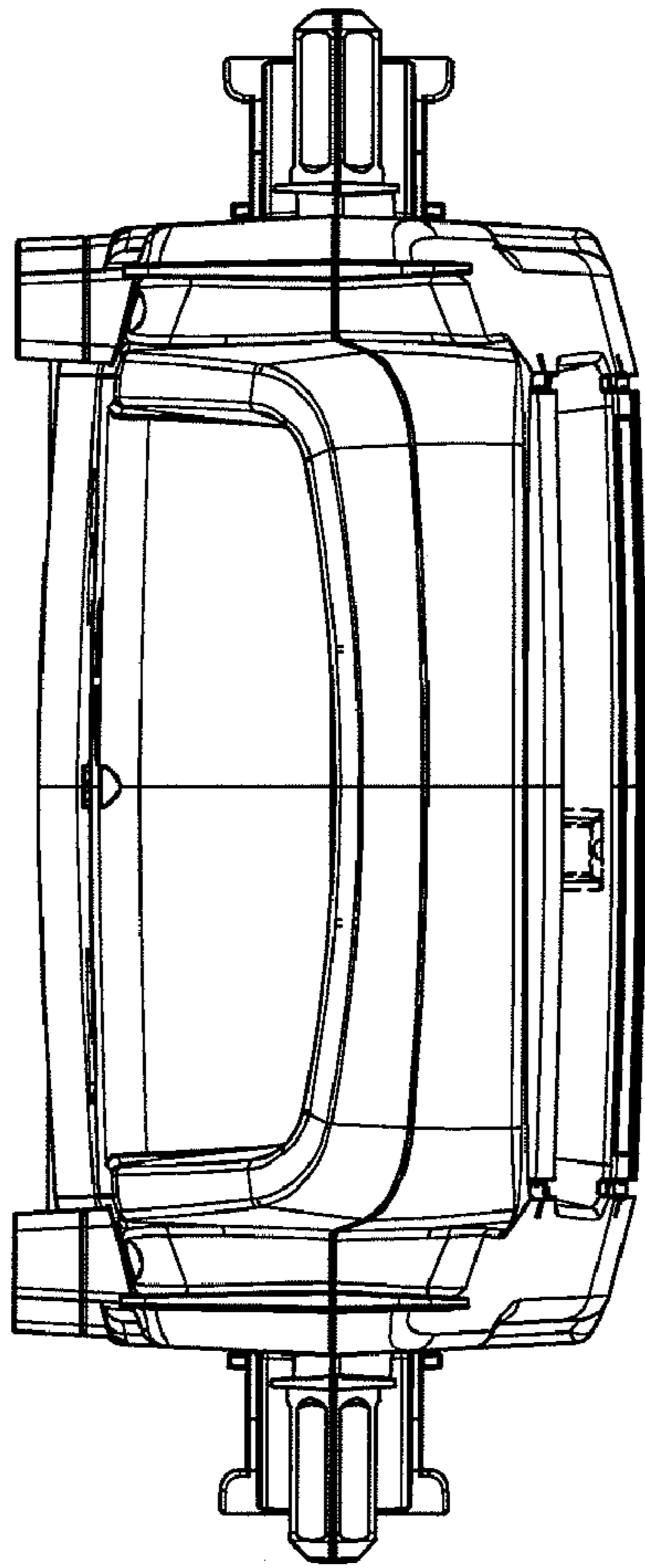
*Fig. 3*



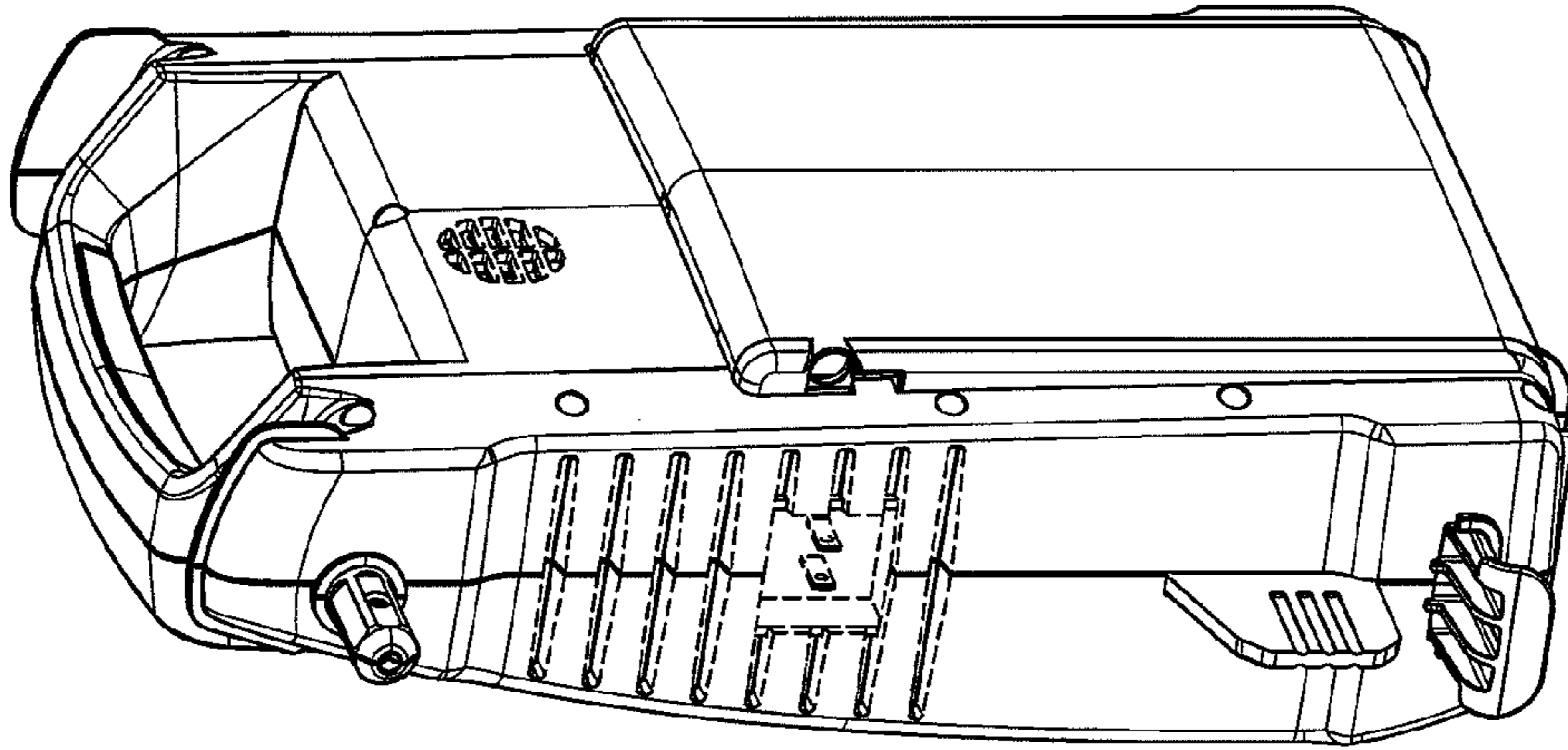
*Fig. 6*



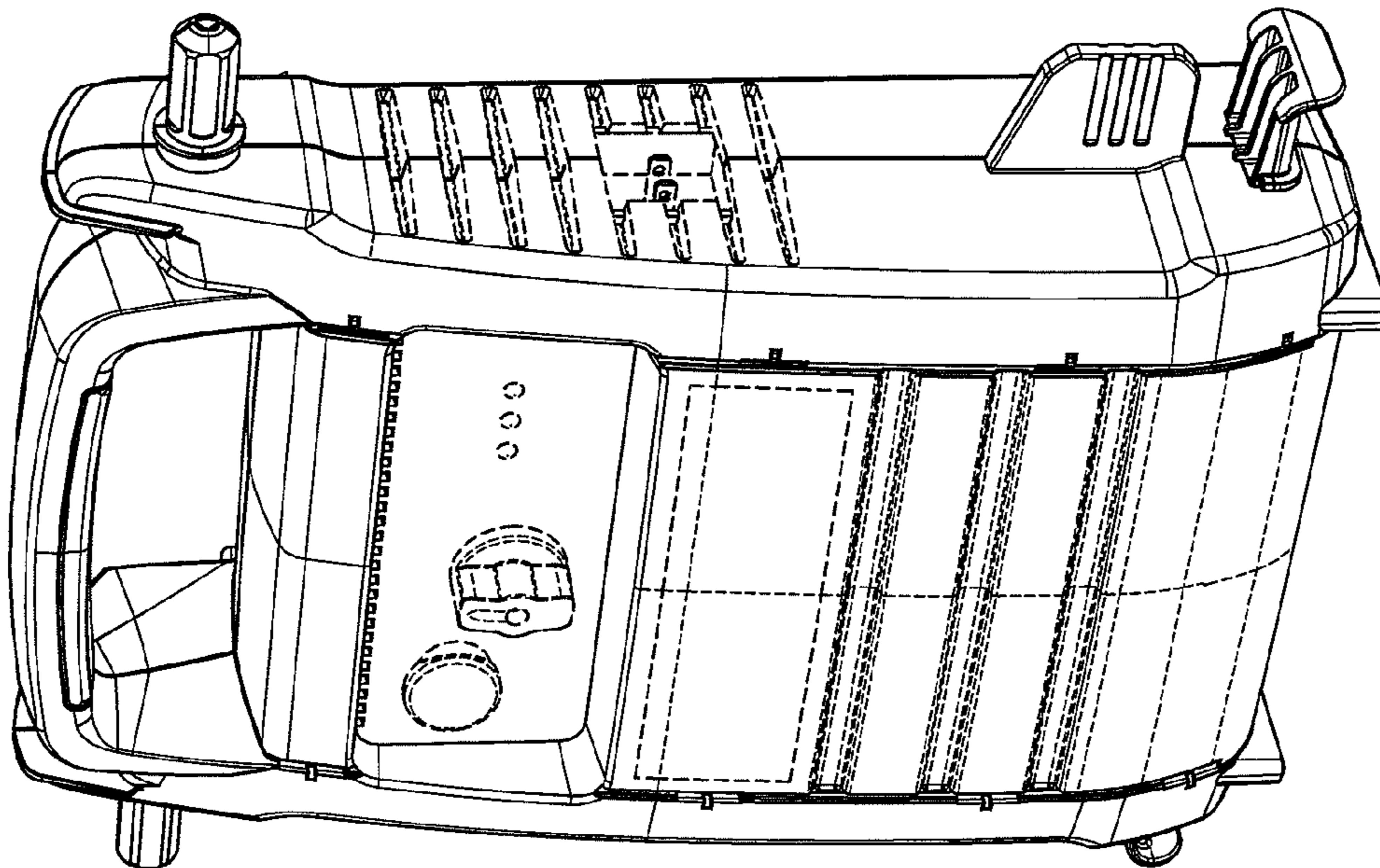
*Fig. 5*



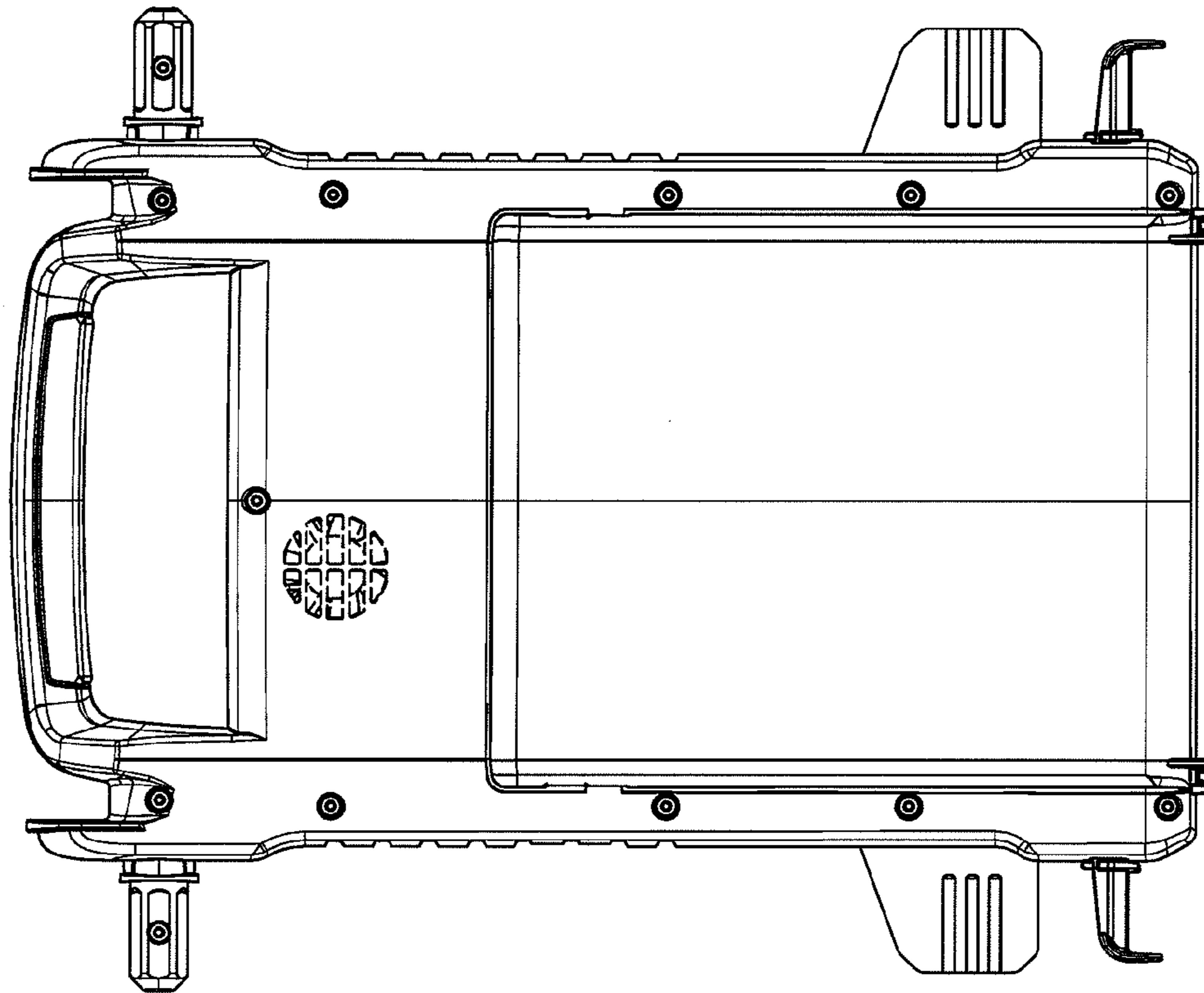
*Fig. 7*



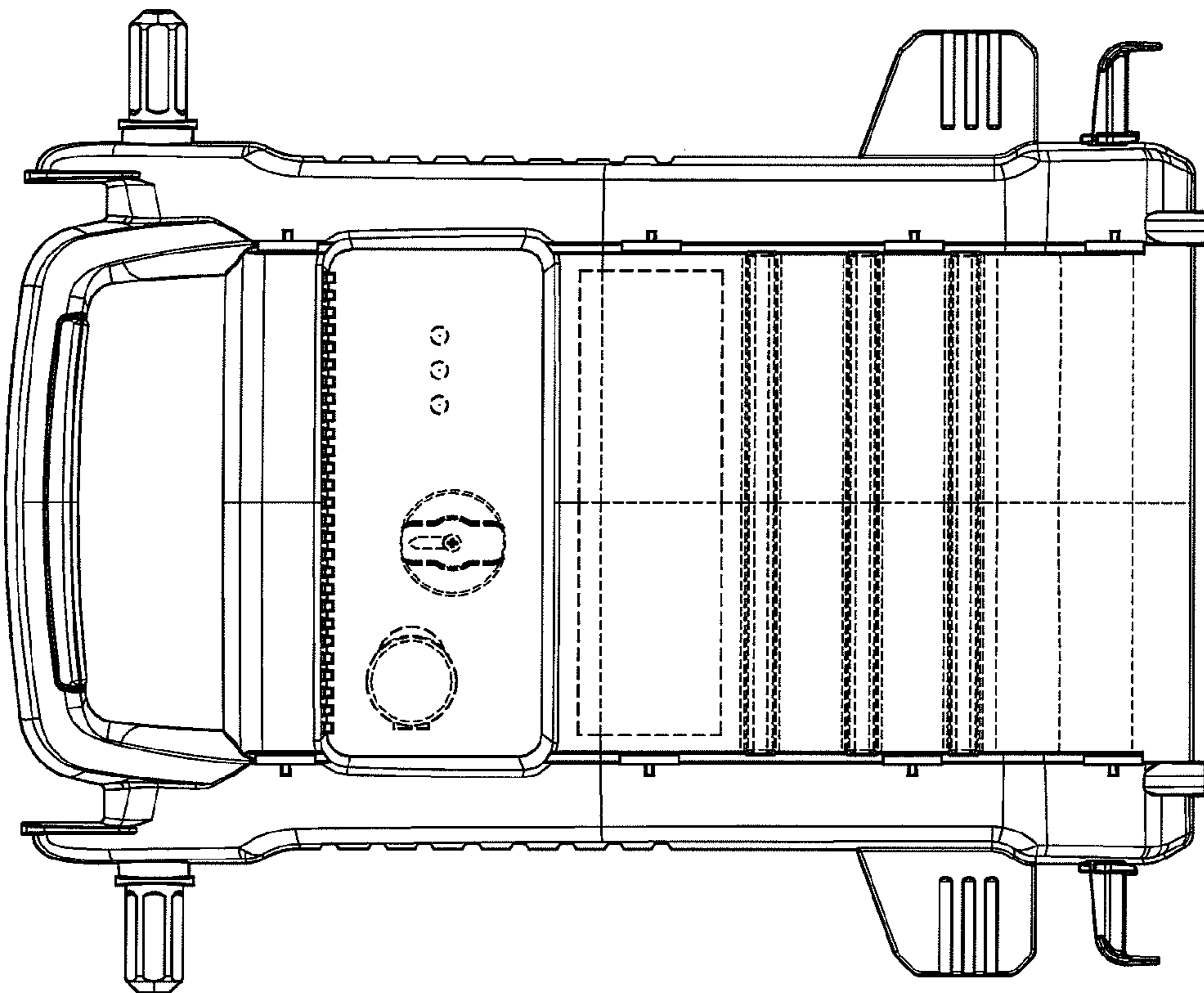
*Fig. 9*



*Fig. 8*

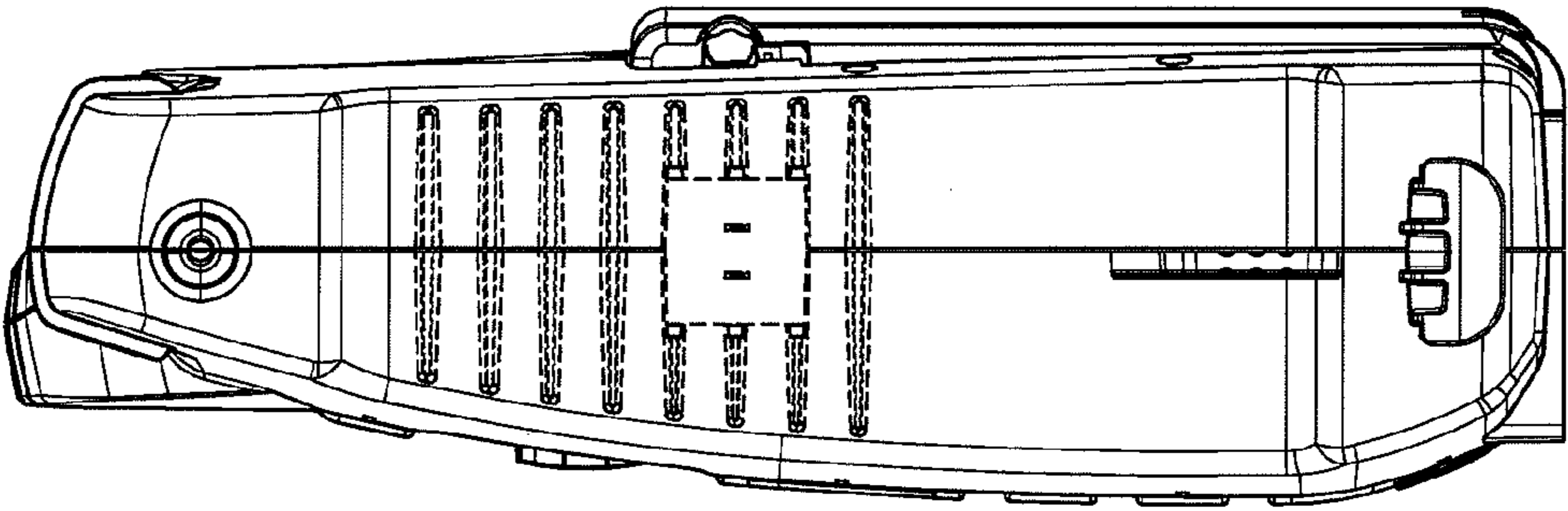


*Fig. 11*

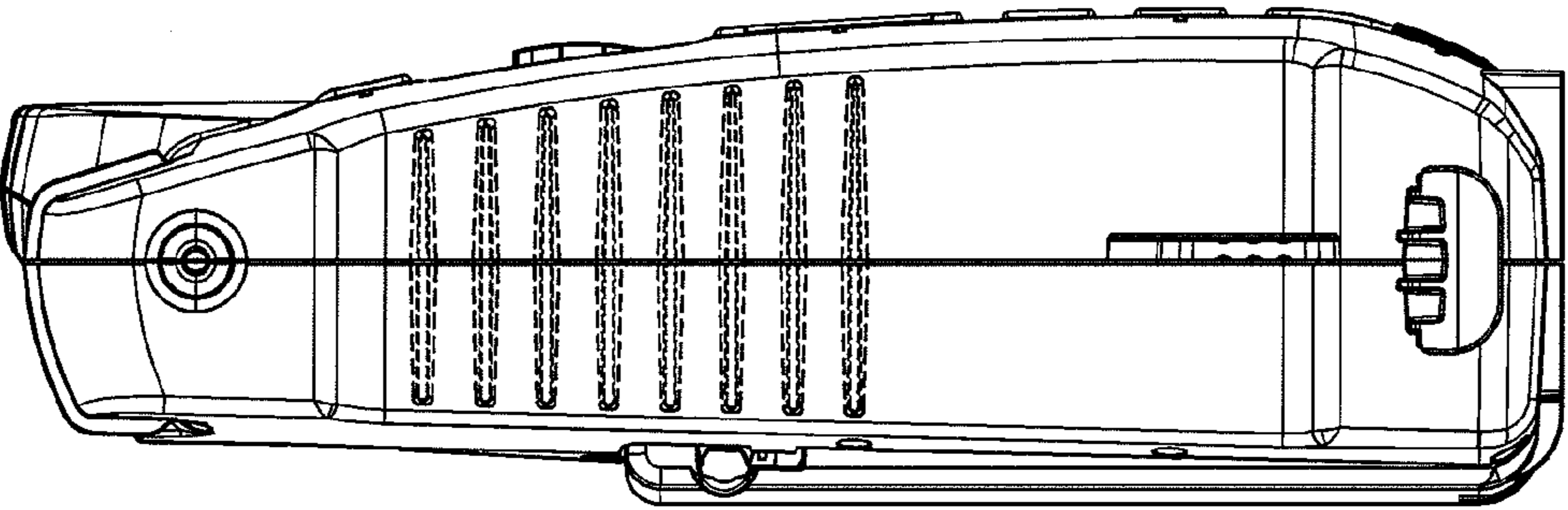


*Fig. 10*

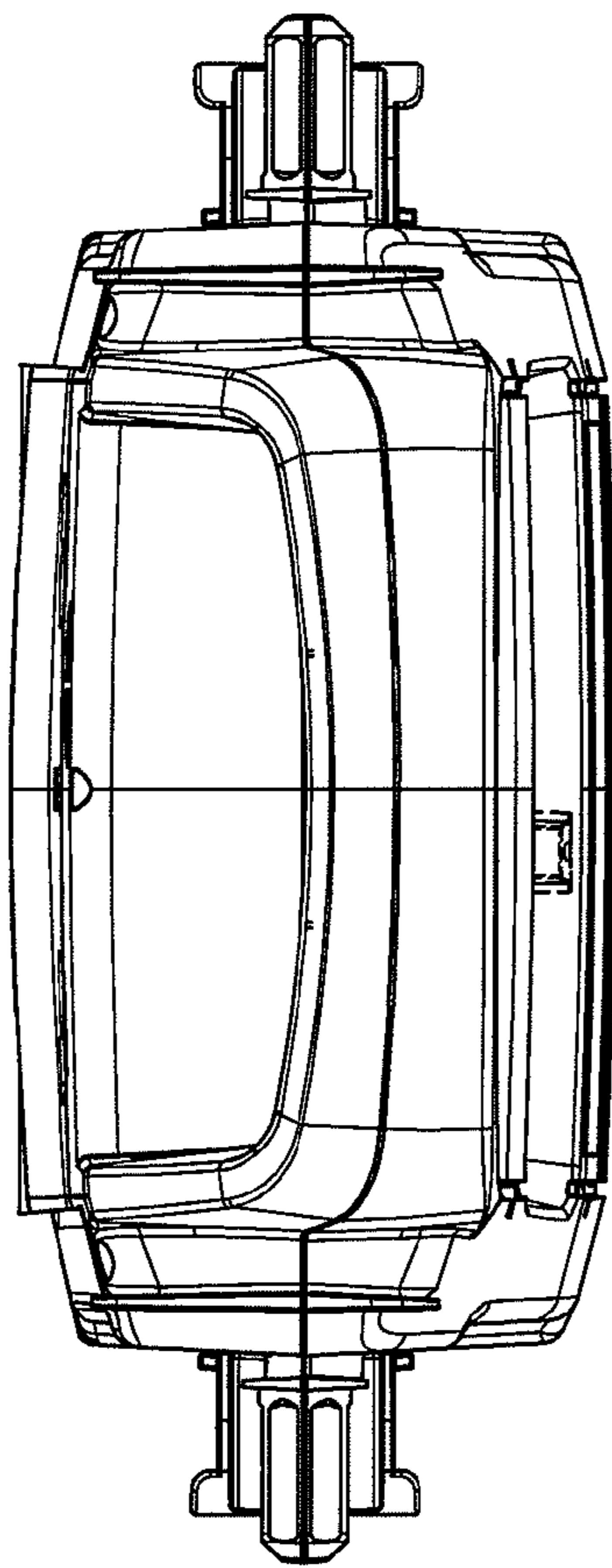




*Fig. 13*



*Fig. 12*



*Fig. 14*