



US00D653203S

(12) **United States Design Patent**
DuMelle et al.

(10) **Patent No.:** **US D653,203 S**
(45) **Date of Patent:** **** Jan. 31, 2012**

(54) **BATTERY CHARGER**

(75) Inventors: **Barbara M. DuMelle**, Niles, IL (US);
Christopher Michael Kubik, Chicago,
IL (US); **Patrick J. Clarke**, St. Charles,
IL (US); **Samuel Weisbard**, Highland
Park, IL (US); **Joseph J. Zenkus**, Lake
in the Hills, IL (US); **Mark Kurth**,
Chicago, IL (US); **Timothy Payne**,
Chicago, IL (US); **Adam Callif**,
Chicago, IL (US)

(73) Assignee: **Schumacher Electric Corporation**, Mt.
Prospect, IL (US)

(**) Term: **14 Years**

(21) Appl. No.: **29/356,065**

(22) Filed: **Feb. 19, 2010**

Related U.S. Application Data

(63) Continuation-in-part of application No. 29/354,879,
filed on Jan. 29, 2010, now Pat. No. Des. 635,090.

(51) **LOC (9) Cl.** **13-02**

(52) **U.S. Cl.** **D13/107**

(58) **Field of Classification Search** D13/106-110,
D13/118-119, 184, 199; D15/9; 320/103-105,
320/107-115

See application file for complete search history.

(56) **References Cited**

U.S. PATENT DOCUMENTS

| | | |
|-------------|---------|----------------|
| D258,818 S | 4/1981 | Johnson et al. |
| D264,962 S | 6/1982 | Fellmann |
| D304,928 S | 12/1989 | Mize |
| 4,913,668 A | 4/1990 | Chamberlain |
| D322,060 S | 12/1991 | Lino |
| D333,121 S | 2/1993 | Craveiro |
| D346,149 S | 4/1994 | Deering |

| | | |
|-------------|--------|----------------|
| D390,824 S | 2/1998 | Foster et al. |
| 5,949,640 A | 9/1999 | Cameron et al. |
| 6,018,230 A | 1/2000 | Casey |
| D427,148 S | 6/2000 | Wei |
| D427,969 S | 7/2000 | Wei |
| D436,918 S | 1/2001 | Matsuda |

(Continued)

OTHER PUBLICATIONS

U.S. Appl. No. 29/354,853, filed Jan. 29, 2010, Barbara M. DuMelle.

(Continued)

Primary Examiner — Rosemary K Tarcza

(74) *Attorney, Agent, or Firm* — John S. Paniaguas; Katten
Muchin Rosenman LLP

(57) **CLAIM**

The ornamental design for a battery charger, as shown and
described.

DESCRIPTION

FIG. 1 is an front isometric view of a battery charger in
accordance with one embodiment of the present invention.

FIG. 2 is a rear isometric view of the battery charger illus-
trated in FIG. 1.

FIG. 3 is a top plan view of the battery charger illustrated in
FIG. 1.

FIG. 4 is a bottom plan view of the battery charger illustrated
in FIG. 1.

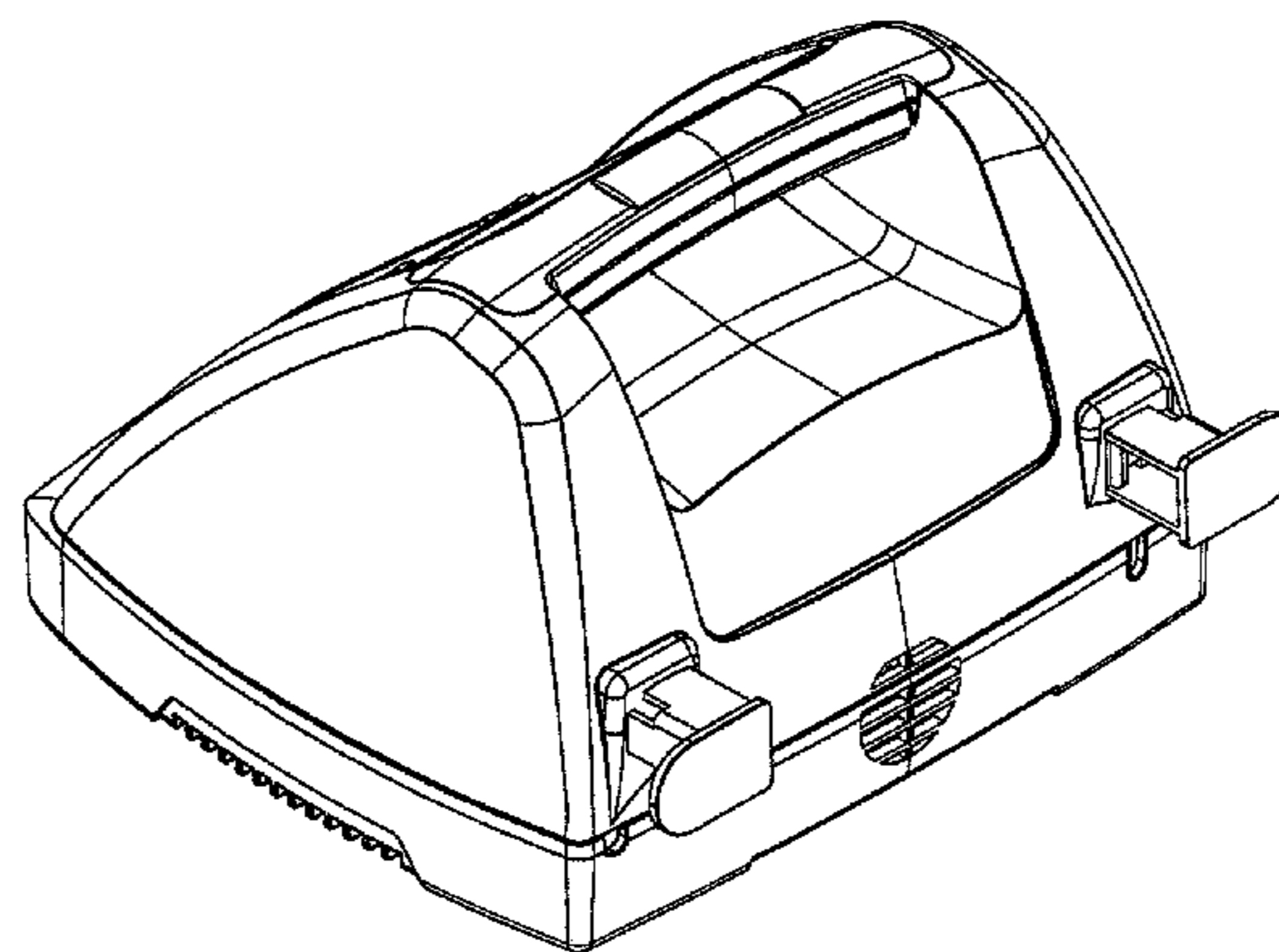
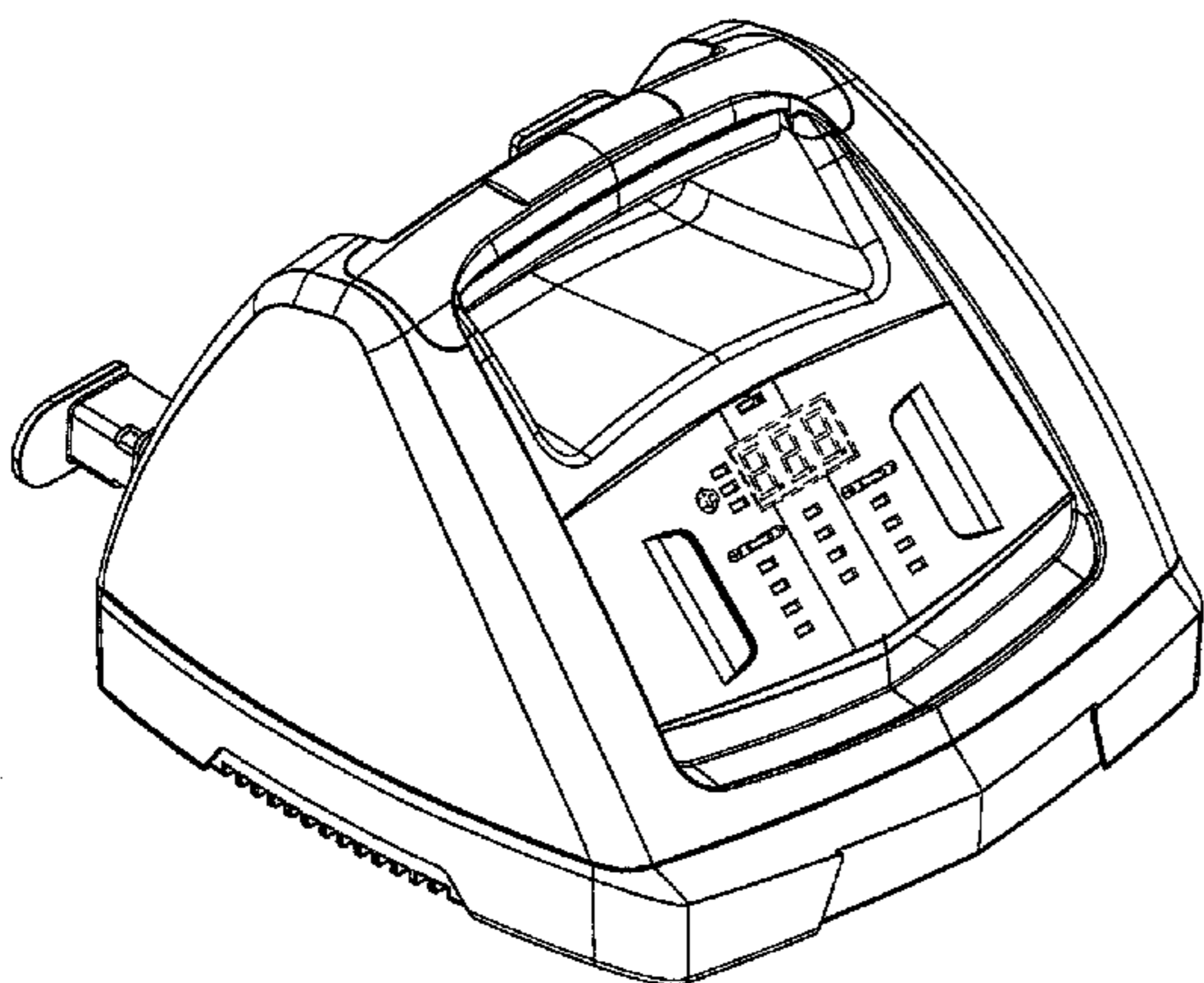
FIG. 5 is a front elevation view of the battery charger illus-
trated in FIG. 1.

FIG. 6 is a rear elevation view of the battery charger illus-
trated in FIG. 1; and,

FIG. 7 is a right side elevation view of the battery charger
illustrated in FIG. 1.

The broken lines in the drawings are for the purpose of illus-
trating unclaimed portions of the battery charger and form no
part of the claimed design.

1 Claim, 4 Drawing Sheets



US D653,203 S

Page 2

U.S. PATENT DOCUMENTS

D444,122 S 6/2001 Krieger et al.
D483,326 S * 12/2003 Krieger et al. D13/107
D486,446 S 2/2004 Hriscu et al.
D494,541 S 8/2004 Hriscu et al.
D496,629 S 9/2004 Hriscu et al.
D503,148 S * 3/2005 Krieger et al. D13/107
D505,915 S 6/2005 Hussaini et al.
D506,724 S * 6/2005 Hriscu et al. D13/107
D506,974 S 7/2005 Li
D509,792 S 9/2005 Hsu
D511,491 S * 11/2005 Hriscu et al. D13/107
D517,983 S * 3/2006 Krieger et al. D13/107
D518,435 S 4/2006 Kurth
D518,769 S 4/2006 Kurth
D527,340 S 8/2006 Christiani et al.
D527,342 S * 8/2006 Krieger et al. D13/107
D528,978 S 9/2006 Trospen et al.
D530,271 S * 10/2006 Hriscu et al. D13/107
D530,272 S 10/2006 Hulden
D531,956 S 11/2006 Krieger et al.
D532,364 S 11/2006 Krieger et al.
D532,748 S 11/2006 Disbennett et al.
D537,410 S 2/2007 Yuen
D544,439 S 6/2007 Hussaini et al.
D548,692 S 8/2007 Krieger et al.
D548,694 S 8/2007 Krieger et al.
D549,170 S * 8/2007 Yen D13/107
D550,615 S 9/2007 Tong
D551,166 S 9/2007 Dayan
D554,059 S 10/2007 Hsu

7,304,852 B2 12/2007 Hernandez et al.
D561,688 S 2/2008 Hussaini et al.
D562,235 S 2/2008 Hussaini et al.
D573,089 S 7/2008 Mandel et al.
D580,354 S 11/2008 Dunbar et al.
D580,441 S 11/2008 Mori
D582,845 S 12/2008 O'Hern
D585,822 S * 2/2009 Hsu D13/107
D594,405 S 6/2009 Murray et al.
D597,029 S 7/2009 Li
D609,634 S 2/2010 Daniels et al.
D610,982 S 3/2010 Shum et al.
D625,255 S 10/2010 DuMelle
D625,265 S 10/2010 DuMelle
D627,719 S 11/2010 DuMelle
D627,720 S 11/2010 DuMelle
D635,089 S 3/2011 DuMelle
D635,090 S 3/2011 DuMelle

OTHER PUBLICATIONS

U.S. Appl. No. 29/354,879, filed Jan. 29, 2010, Barbara M. DuMelle.
U.S. Appl. No. 29/354,859, filed Jan. 29, 2010, Barbara M. DuMelle.
U.S. Appl. No. 29/354,851, filed Jan. 29, 2010, Barbara M. DuMelle.
U.S. Appl. No. 29/354,897, filed Jan. 29, 2010, Barbara M. DuMelle.
U.S. Appl. No. 29/354,887, filed Jan. 29, 2010, Barbara M. DuMelle.
U.S. Appl. No. 29/354,902, filed Jan. 29, 2010, Barbara M. DuMelle.
U.S. Appl. No. 29/397,730, filed Jul. 20, 2011, Barbara M. DuMelle.
U.S. Appl. No. 29/397,739, filed Jul. 20, 2011, Barbara M. DuMelle.

* cited by examiner

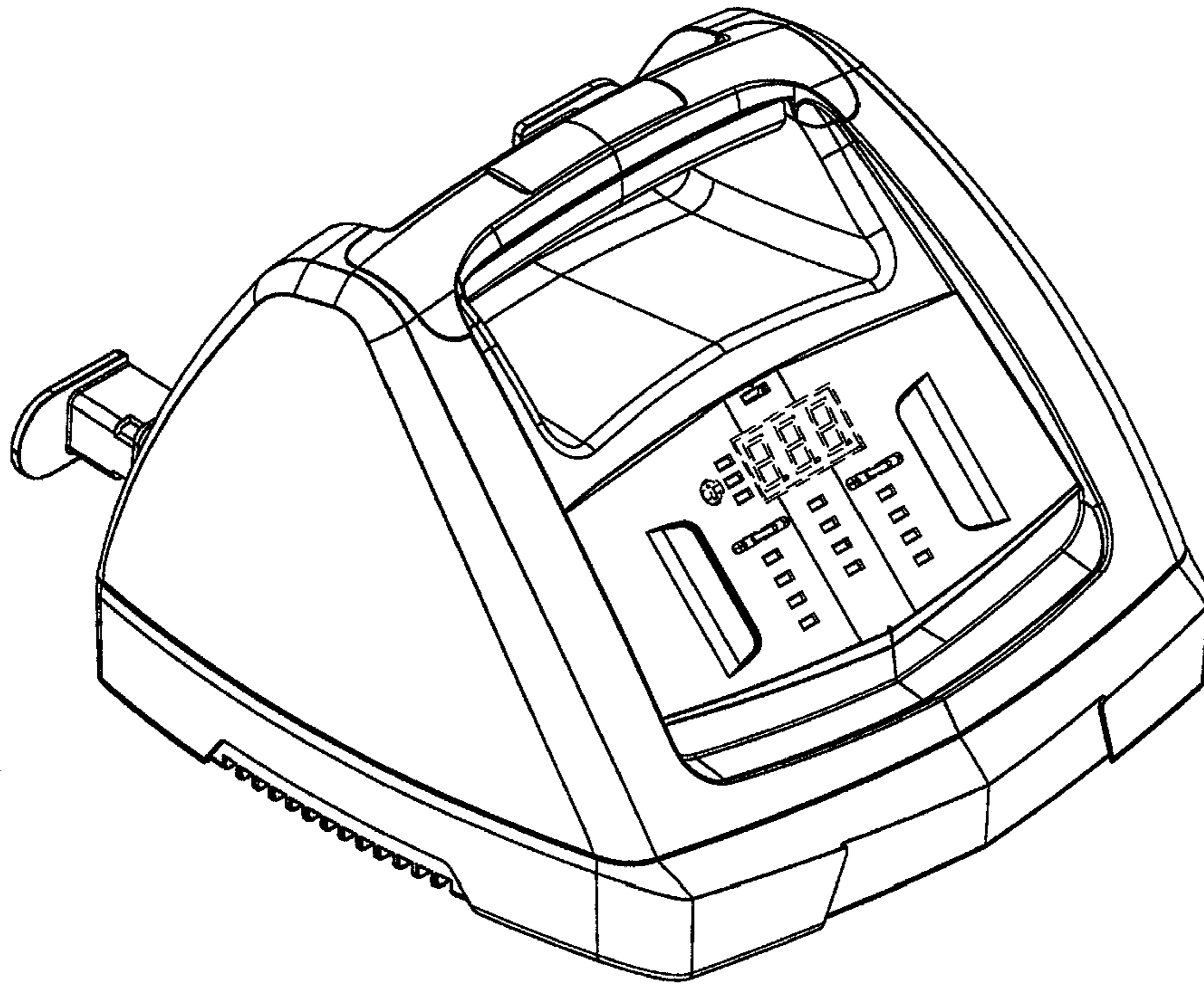


Fig. 1

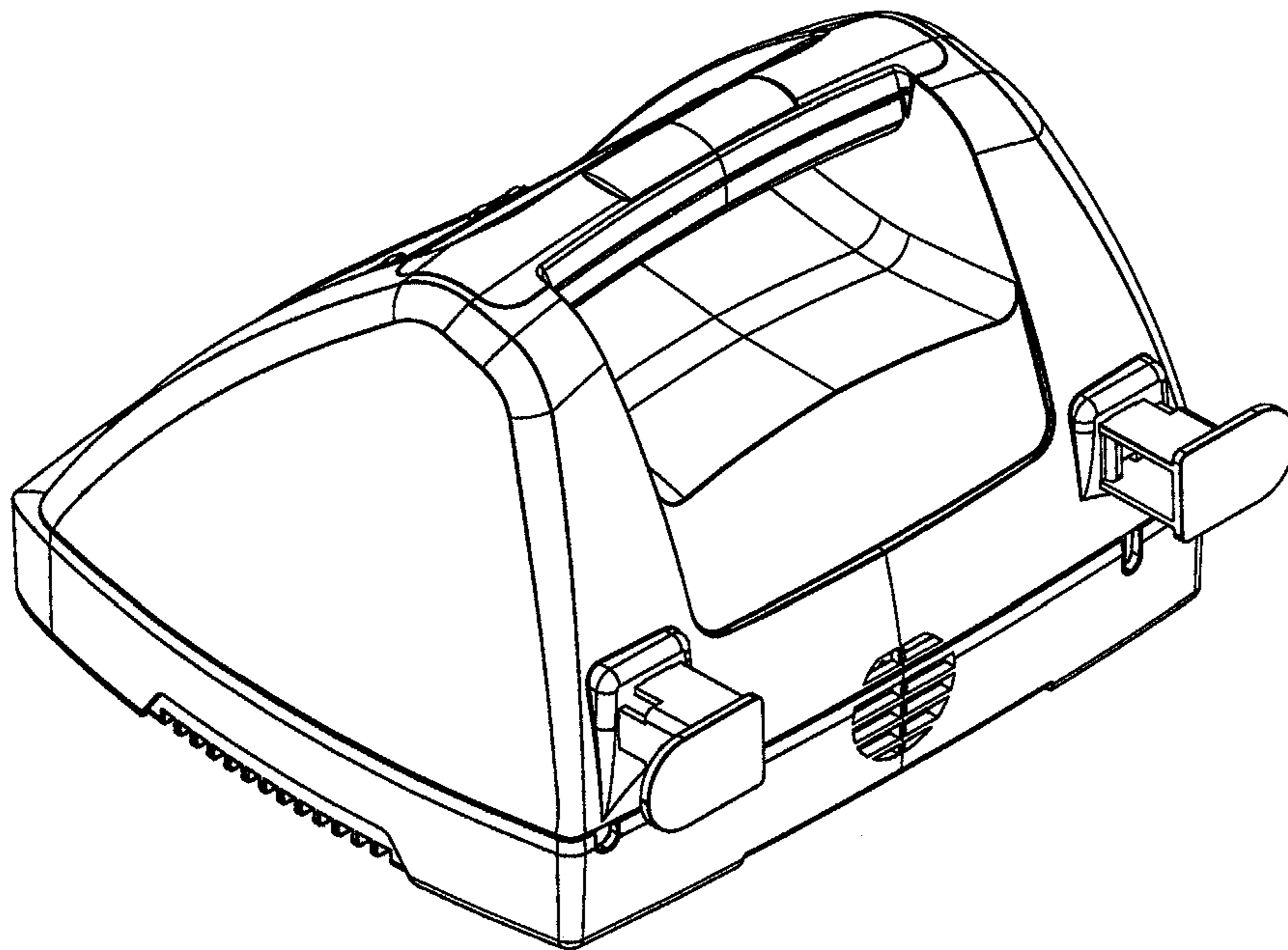


Fig. 2

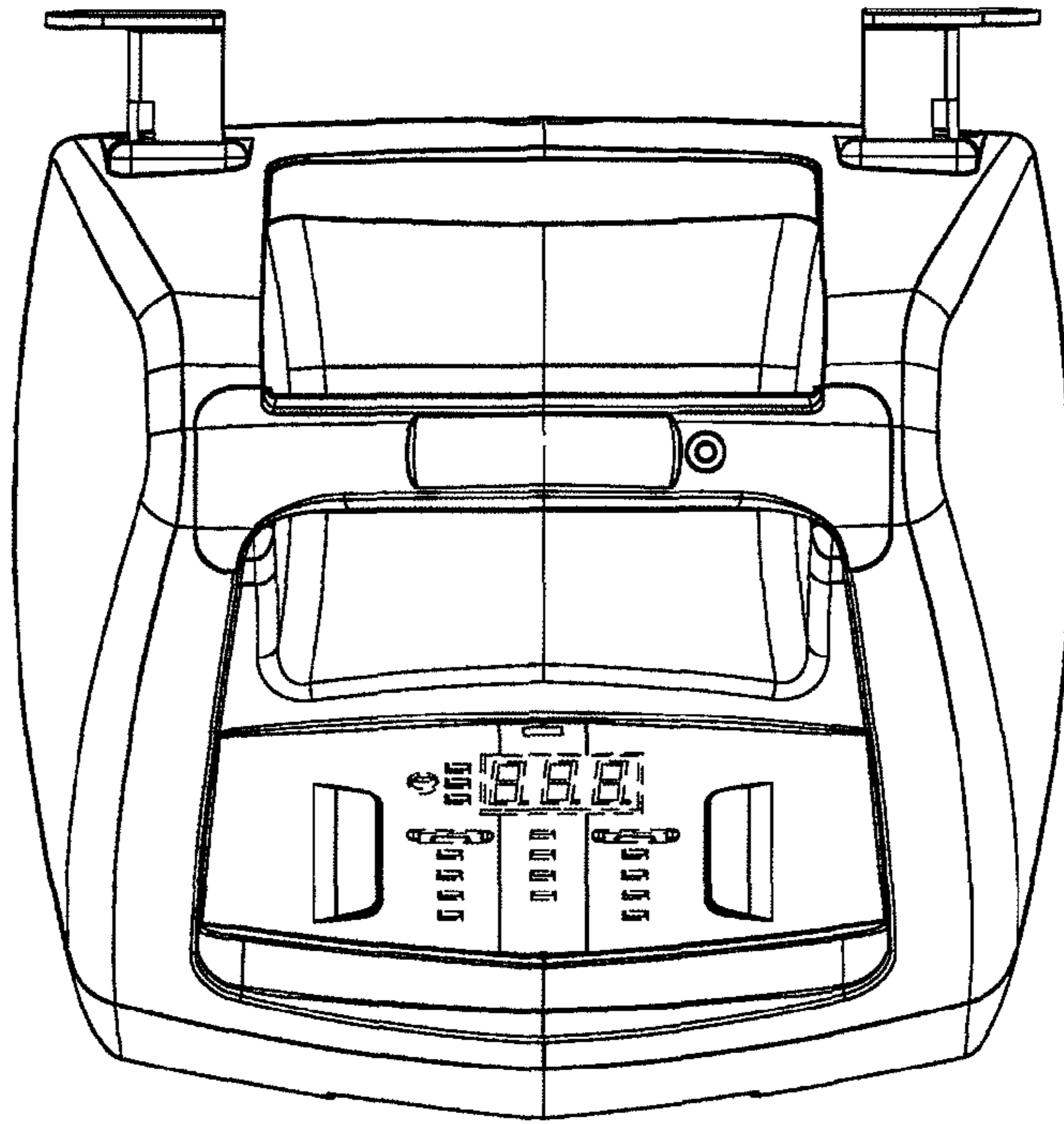


Fig. 3

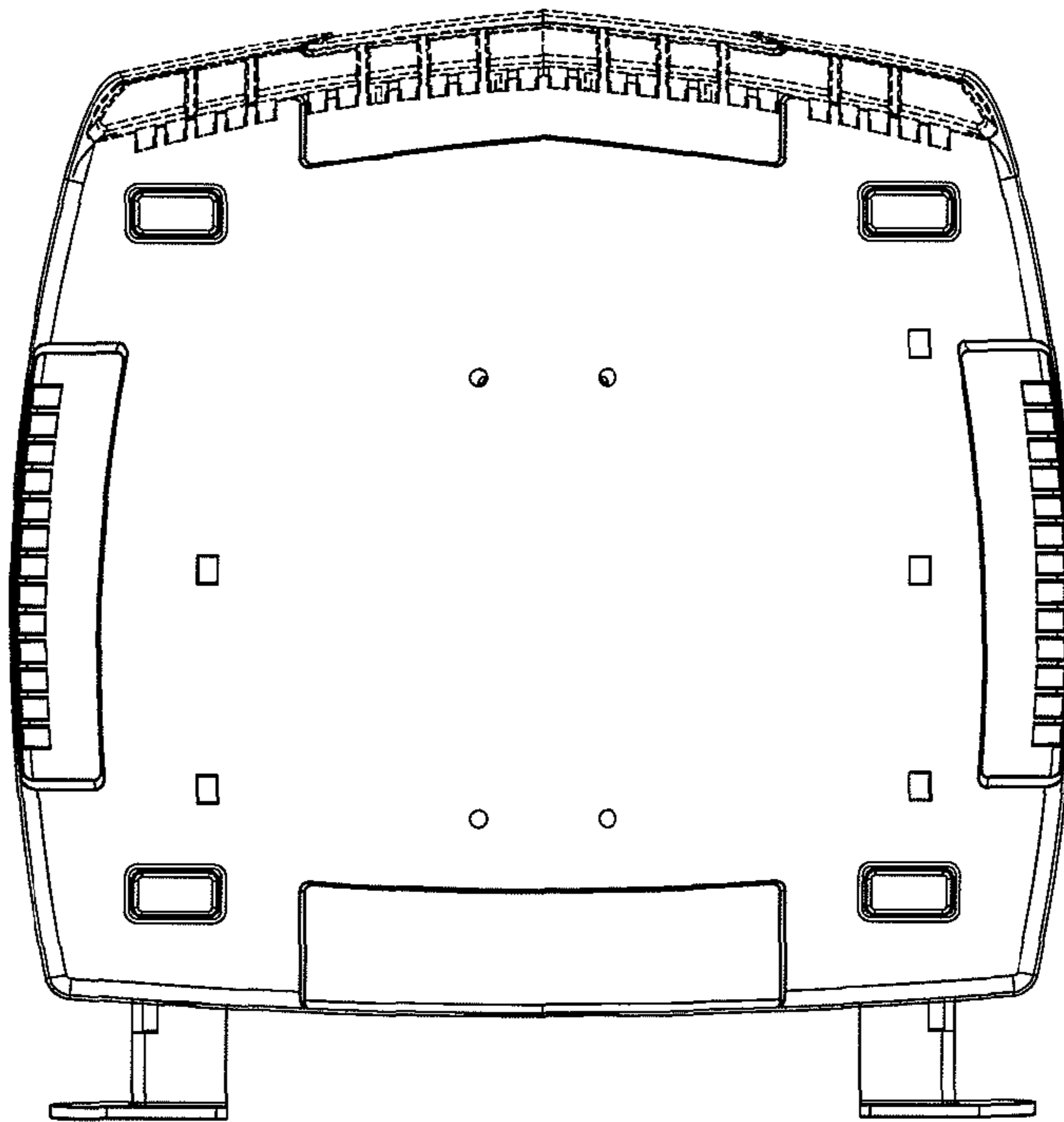


Fig. 4

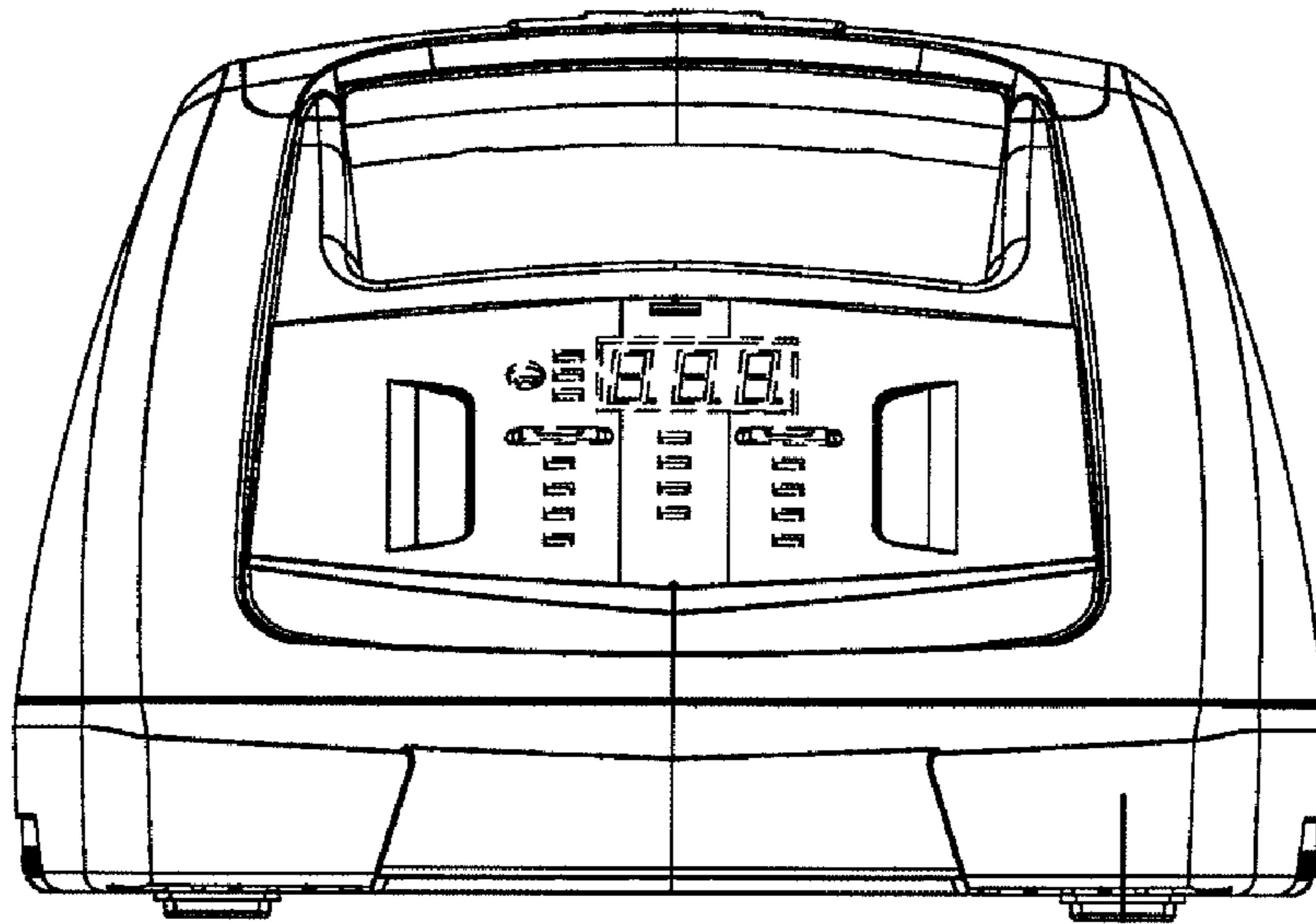


Fig. 5

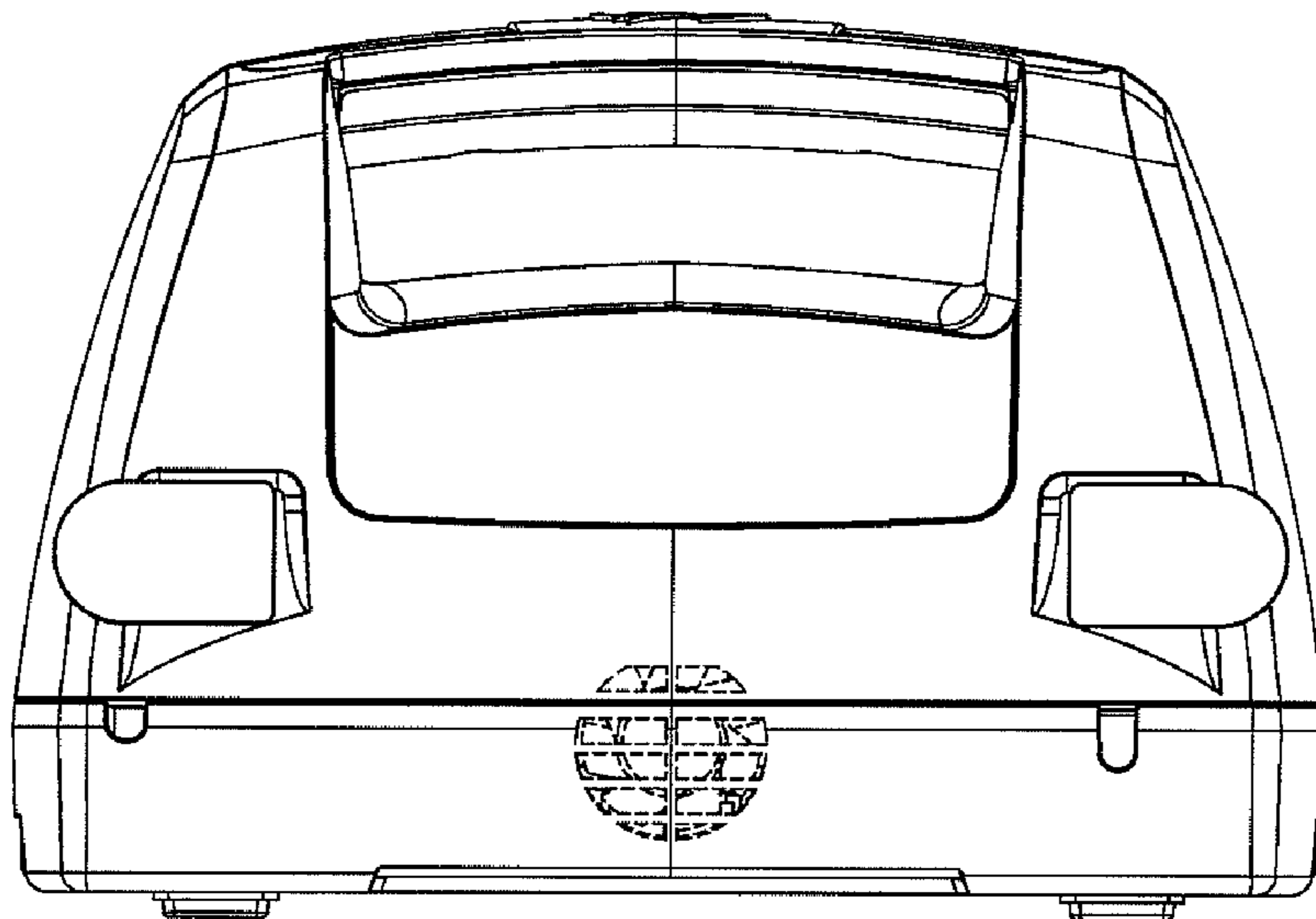


Fig. 6

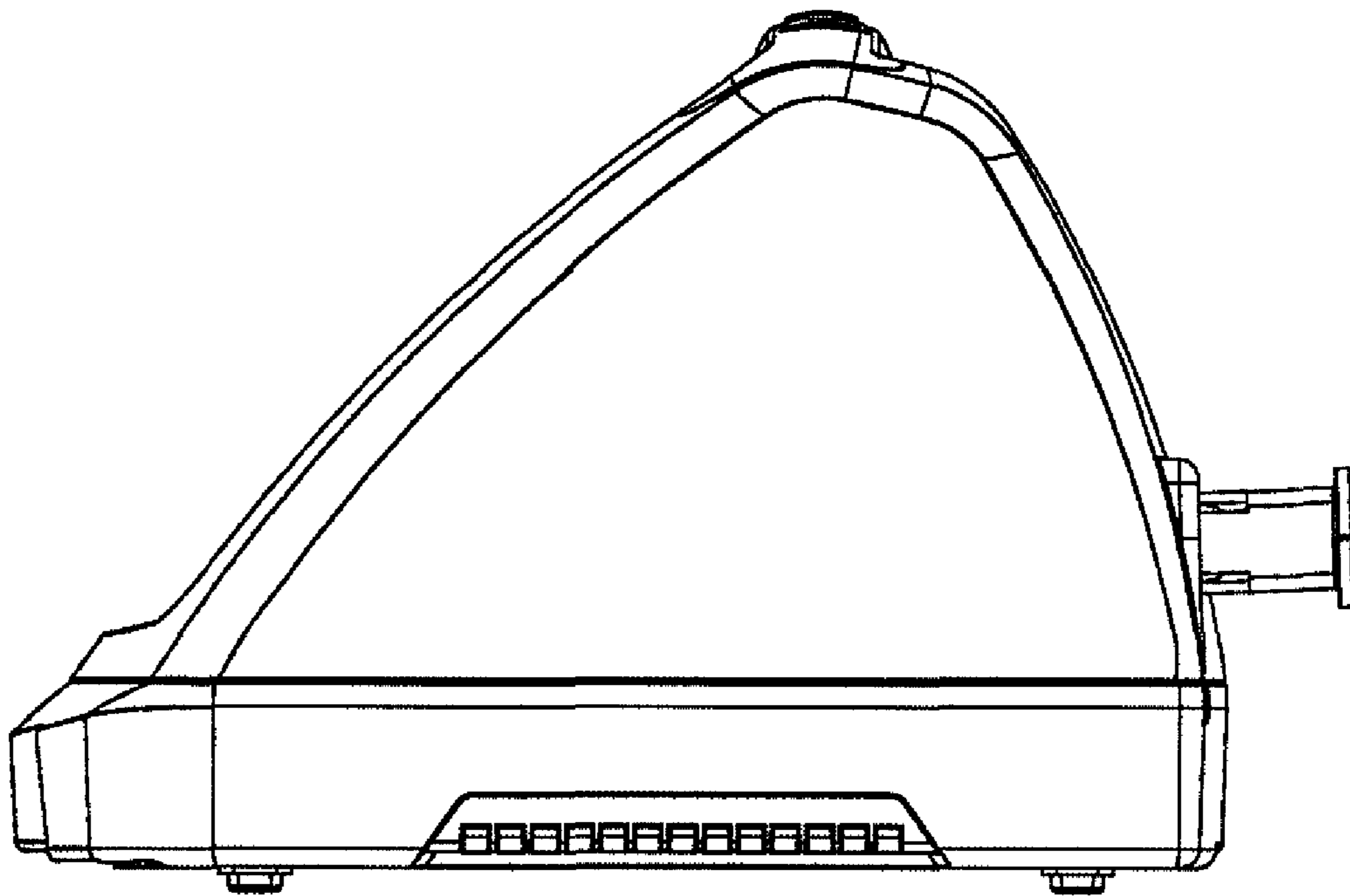


Fig. 7