



US00D653198S

(12) **United States Design Patent**  
**Buchinger-Barnstorf**

(10) **Patent No.:** **US D653,198 S**  
(45) **Date of Patent:** **\*\* Jan. 31, 2012**

(54) **TIRE TREAD FOR A VEHICLE TIRE**

(75) Inventor: **Thomas Buchinger-Barnstorf,**  
Wennigsen (DE)  
(73) Assignee: **Continental Reifen Deutschland**  
**GmbH,** Hanover (DE)

(\*\*) Term: **14 Years**

(21) Appl. No.: **29/356,262**

(22) Filed: **Feb. 23, 2010**

(30) **Foreign Application Priority Data**

Oct. 19, 2009 (EM) ..... 001625518

(51) **LOC (9) Cl.** ..... **12-15**

(52) **U.S. Cl.** ..... **D12/585; D12/900**

(58) **Field of Classification Search** ..... D12/500,  
D12/502, 568, 570, 572, 582-585, 604, 900,  
D12/901; 152/209.1, 209.3, 209.18, 209.19,  
152/209.22, 209.25, 209.27, 209.28

See application file for complete search history.

(56) **References Cited**

**U.S. PATENT DOCUMENTS**

D63,048	S	*	9/1923	Comstock et al.	.....	D12/502
D116,310	S	*	8/1939	Murphy	.....	D12/502
3,299,934	A	*	1/1967	Pace	.....	152/501
3,606,921	A	*	9/1971	Grawey	.....	152/453
D388,030	S	*	12/1997	Schuster	.....	D12/586
D429,480	S	*	8/2000	Bonko	.....	D12/500
D610,967	S	*	3/2010	Ohara et al.	.....	D12/579
D635,915	S	*	4/2011	Hamada	.....	D12/588

**OTHER PUBLICATIONS**

Dunlop SP181A Tire; 2005 Tread Design Guide, p. 109, Row 2, Item 2.\*  
Primex Utility Master (E-7) Tire; 2005 Tread Design Guide, p. 163, Row 1, Item 5.\*  
Astro Implement (I-1) Tire; 2005 Tread Design Guide, p. 171, Row 4, Item 3.\*  
CO-OP High Flotation Tire; 2005 Tread Design Guide, p. 174, Row 1, Item 3.\*

\* cited by examiner

*Primary Examiner* — Garth Rademaker

(74) *Attorney, Agent, or Firm* — Laurence A. Greenberg;  
Werner H. Stemer; Ralph E. Locher

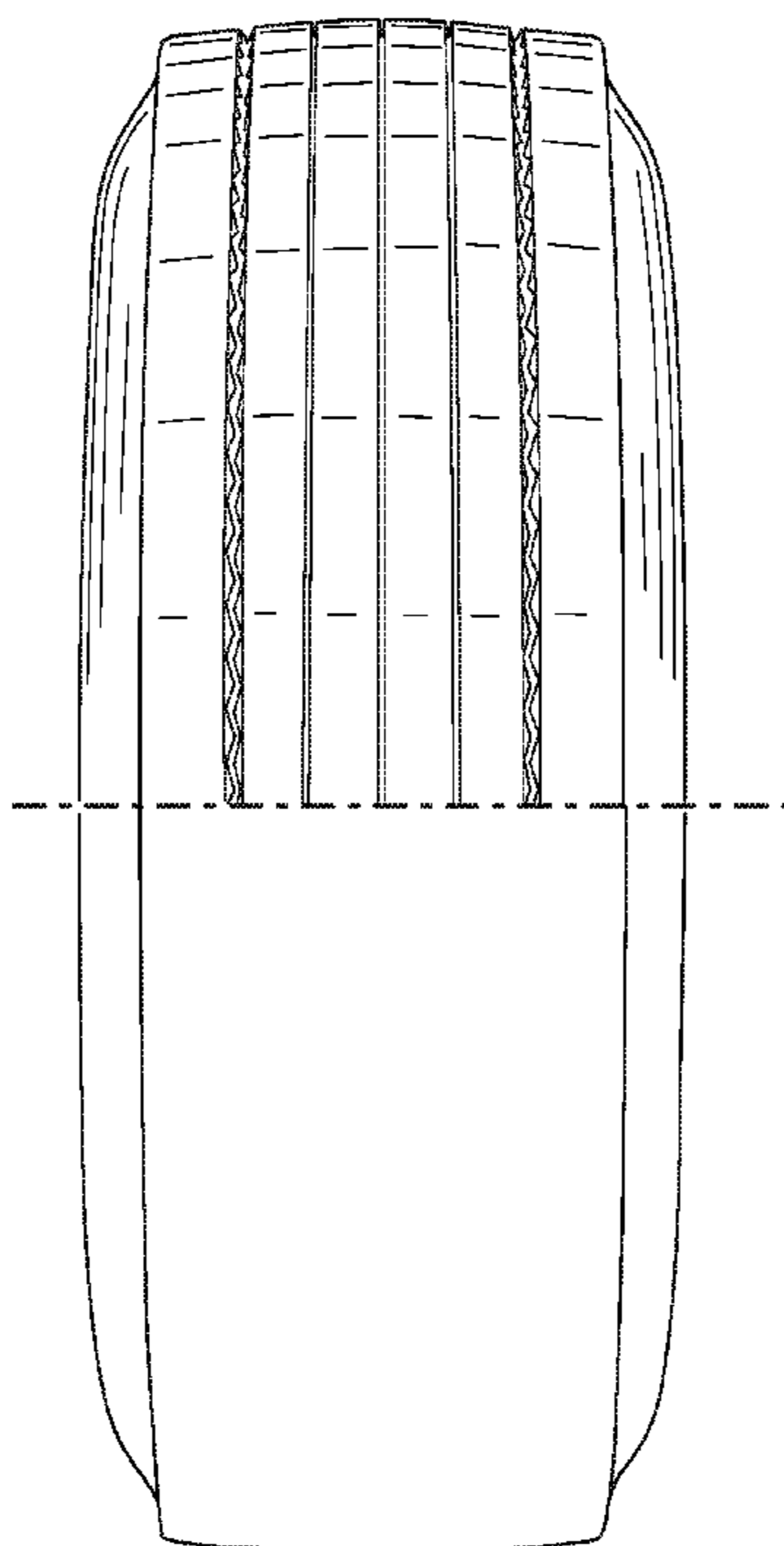
(57) **CLAIM**

The ornamental design for a tire tread for a vehicle tire, as shown and described.

**DESCRIPTION**

FIG. 1 is a front elevational view of a tire tread for a vehicle tire, showing my new design;  
FIG. 2 is an enlarged partial front view thereof;  
FIG. 3 is a side perspective view thereof; and,  
FIG. 4 is a right side elevational view thereof.  
The vehicle tire pattern is repeated uniformly around the circumference of the structure. The dash-dot lines showing the boundaries of the illustrated detail and the broken lines depicting the sidewall of the tire do not form part of the claim.

**1 Claim, 4 Drawing Sheets**



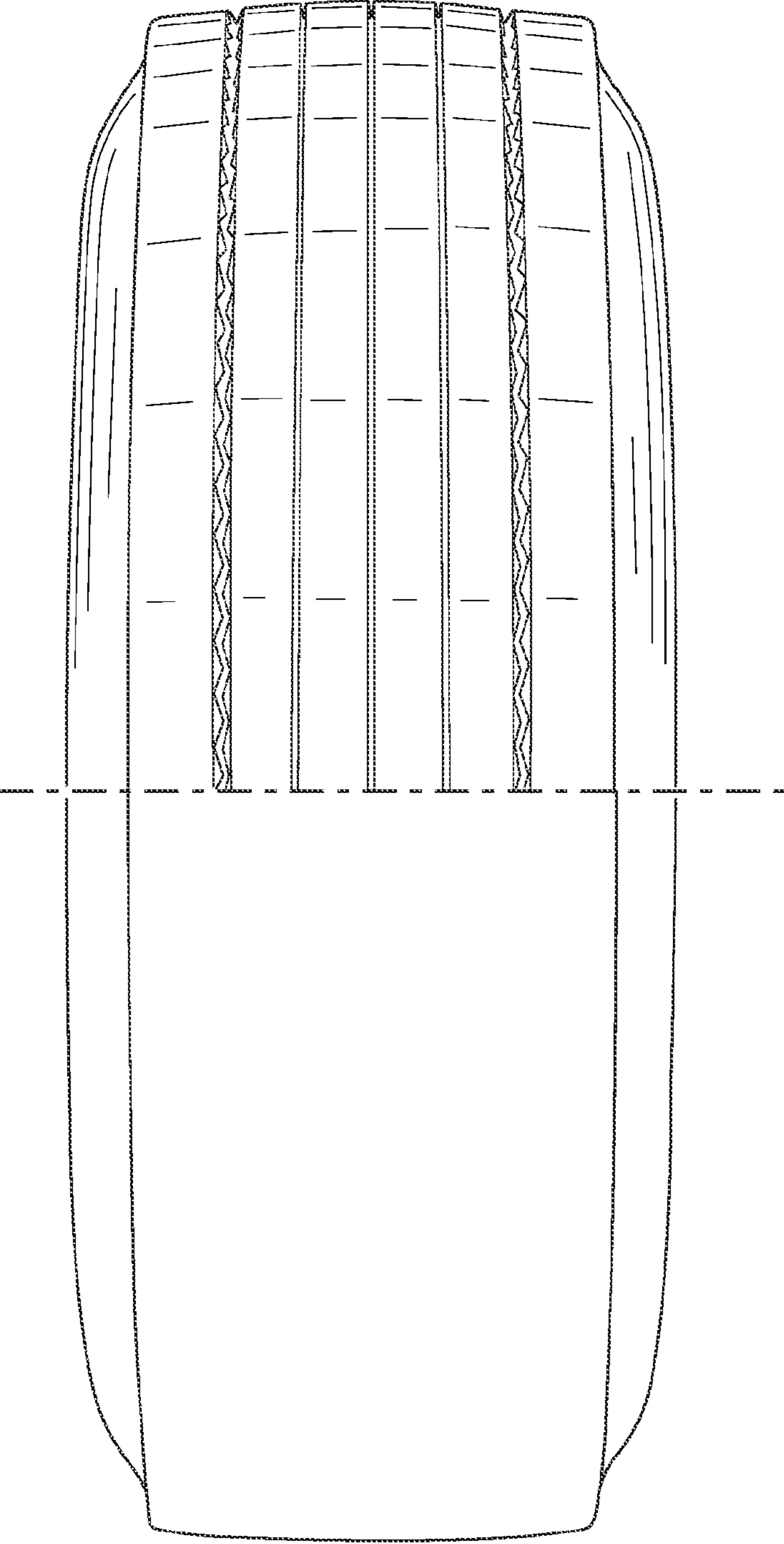


FIG. 1

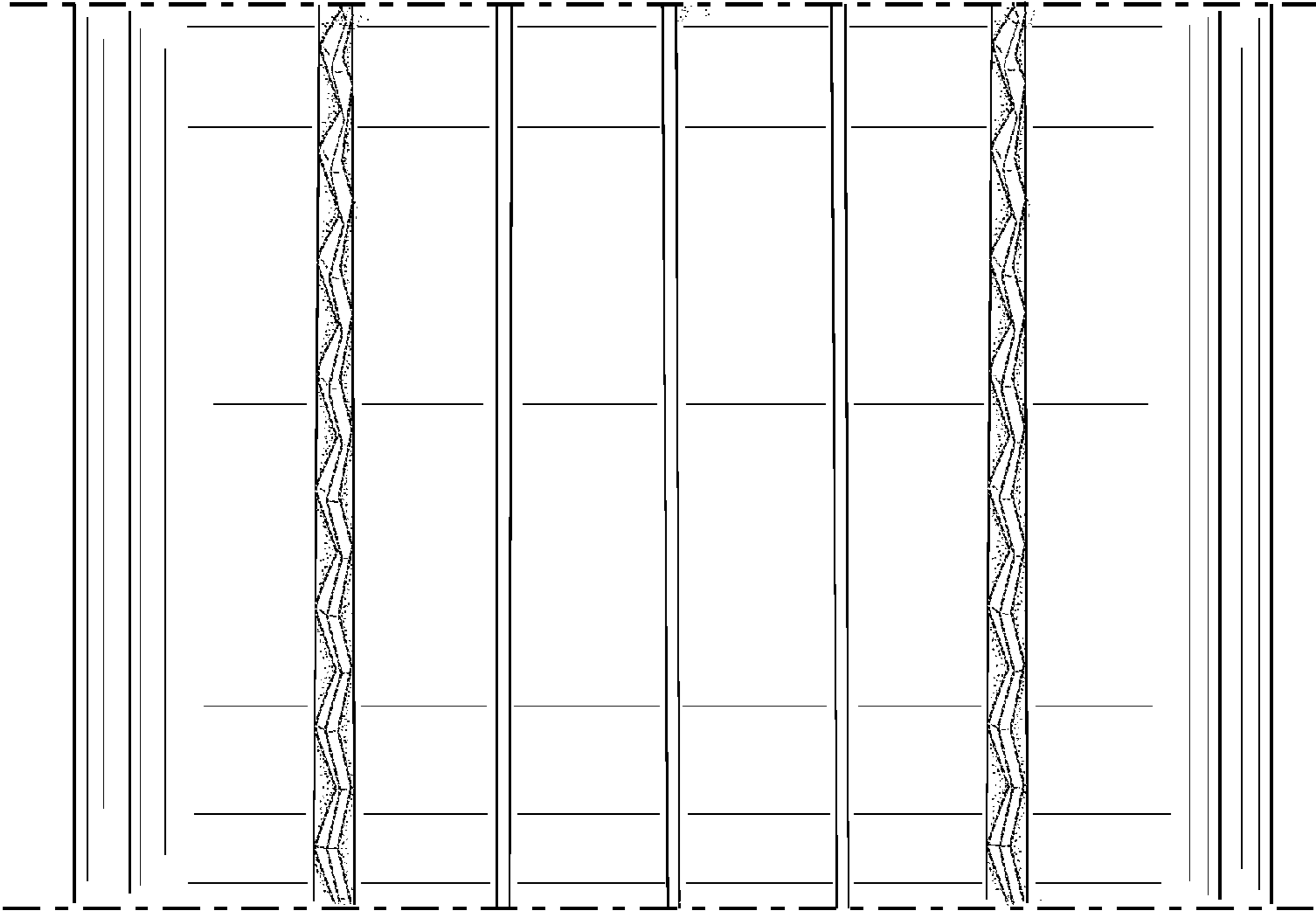


FIG. 2

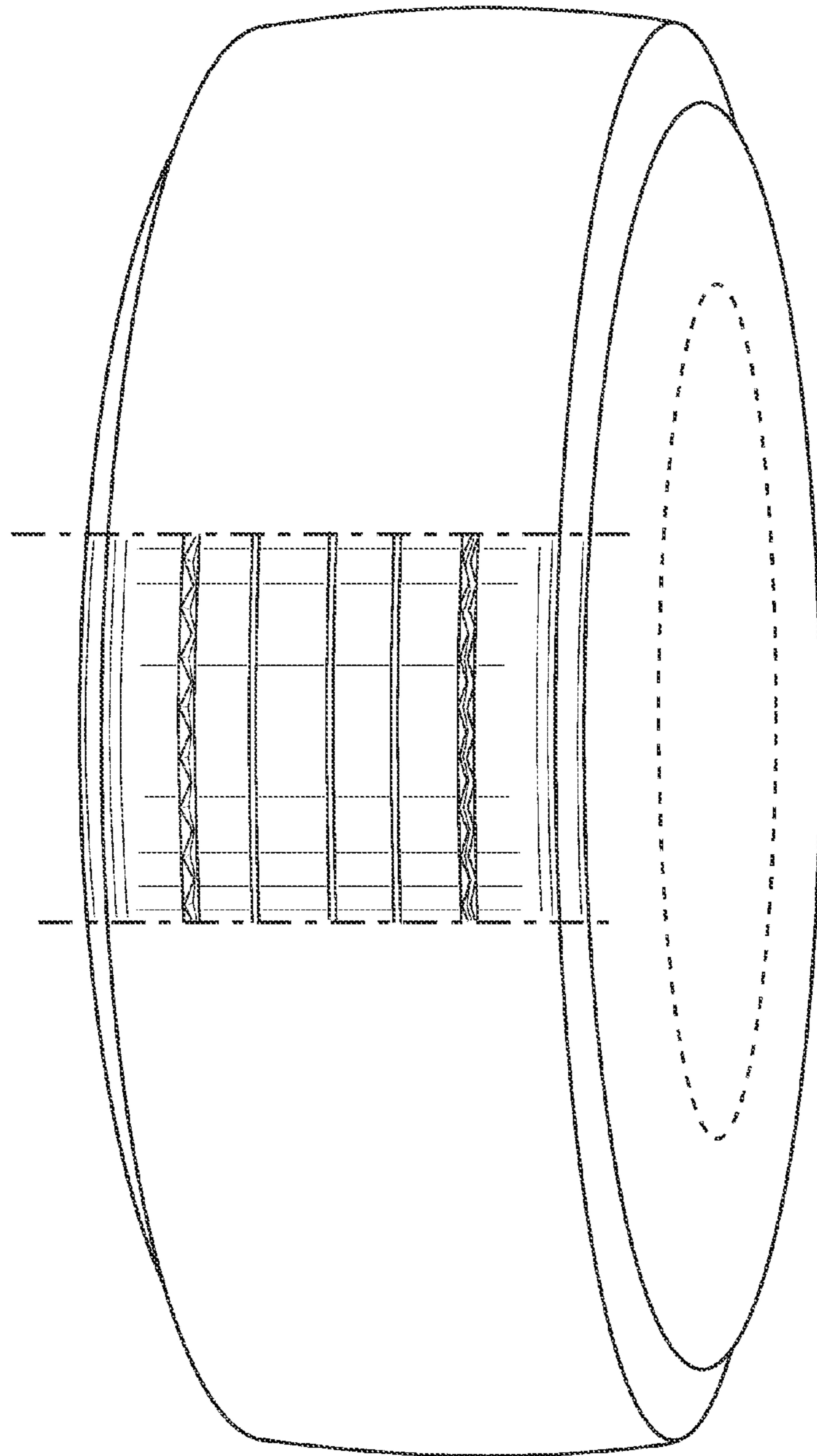


FIG. 3

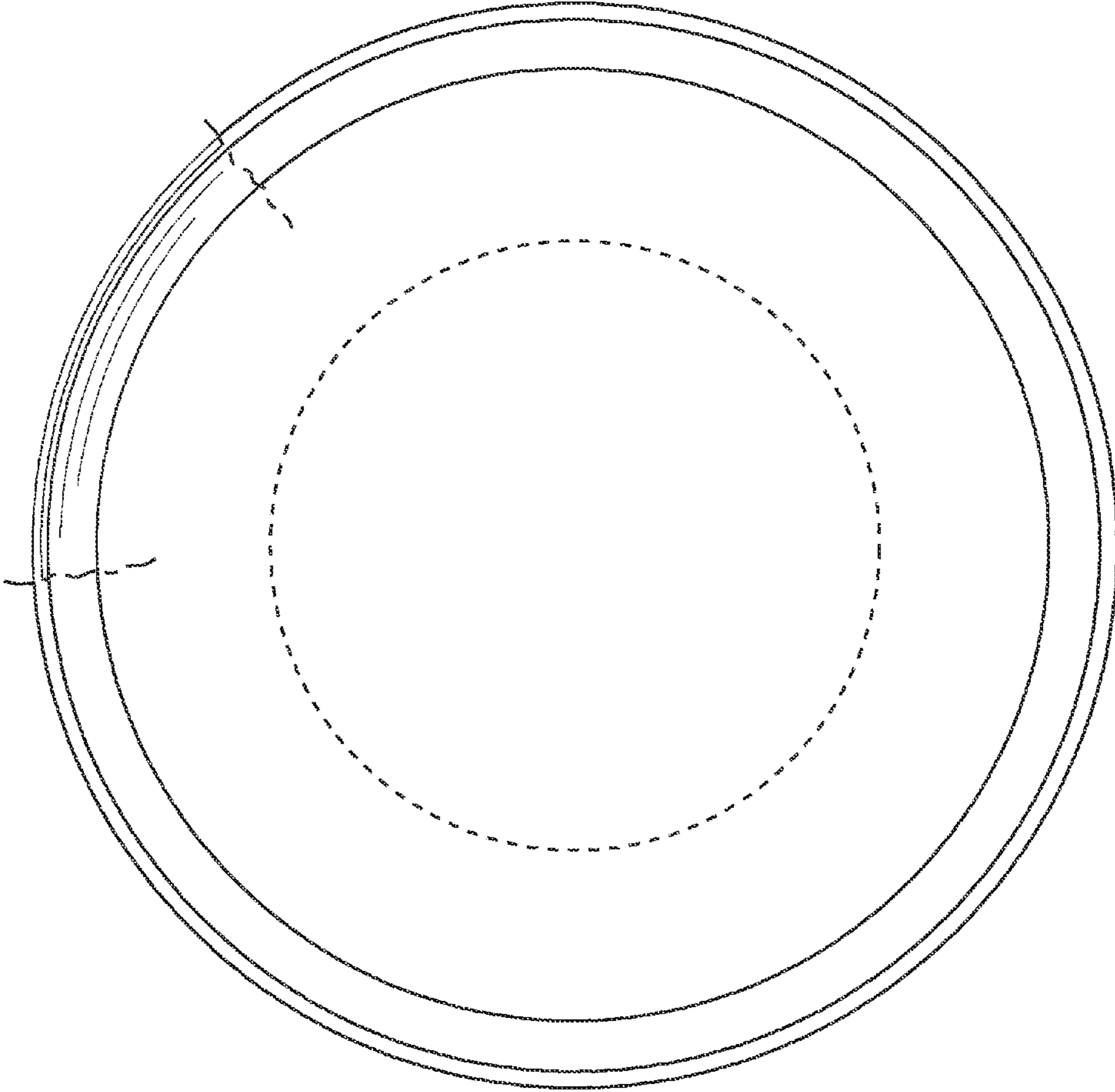


FIG. 4