



US00D653197S

(12) **United States Design Patent**
Buchinger-Barnstorf

(10) **Patent No.:** **US D653,197 S**
(45) **Date of Patent:** **** Jan. 31, 2012**

(54) **TIRE TREAD FOR A VEHICLE TIRE**

(75) Inventor: **Thomas Buchinger-Barnstorf,**
Wennigsen (DE)
(73) Assignee: **Continental Reifen Deutschland**
GmbH, Hanover (DE)

(**) Term: **14 Years**

(21) Appl. No.: **29/356,261**

(22) Filed: **Feb. 23, 2010**

(30) **Foreign Application Priority Data**

Oct. 19, 2009 (EM) 001625518

(51) **LOC (9) Cl.** **12-15**

(52) **U.S. Cl.** **D12/582; D12/900**

(58) **Field of Classification Search** D12/500,
D12/502, 568, 570, 572, 582-585, 604, 900,
D12/901; 152/209.1, 209.3, 209.18, 209.19,
152/209.22, 209.25, 209.27, 209.28

See application file for complete search history.

(56) **References Cited**

U.S. PATENT DOCUMENTS

D63,048	S	*	9/1923	Comstock et al.	D12/502
D116,310	S	*	8/1939	Murphy	D12/502
3,299,934	A	*	1/1967	Pace	152/501
3,606,921	A	*	9/1971	Crawey	152/453
D388,030	S	*	12/1997	Schuster	D12/586
D429,480	S	*	8/2000	Bonko	D12/500
D610,967	S	*	3/2010	Ohara et al.	D12/579
D635,915	S	*	4/2011	Hamada	D12/588

OTHER PUBLICATIONS

Dunlop SP181A Tire; 2005 Tread Design Guide, p. 109, row 2, item 2.*
Primex Utility Master (E-7) Tire; 2005 Tread Design Guide, p. 163, row 1, item 5.*
Astro Implement (I-1) Tire; 2005 Tread Design Guide, p. 171, row 4, item 3.*
Co-Op High Flotation Tire; 2005 Tread Design Guide, p. 174, row 1, item 3.*

* cited by examiner

Primary Examiner — Garth Rademaker

(74) *Attorney, Agent, or Firm* — Laurence A. Greenberg;
Werner H. Stemer; Ralph E. Locher

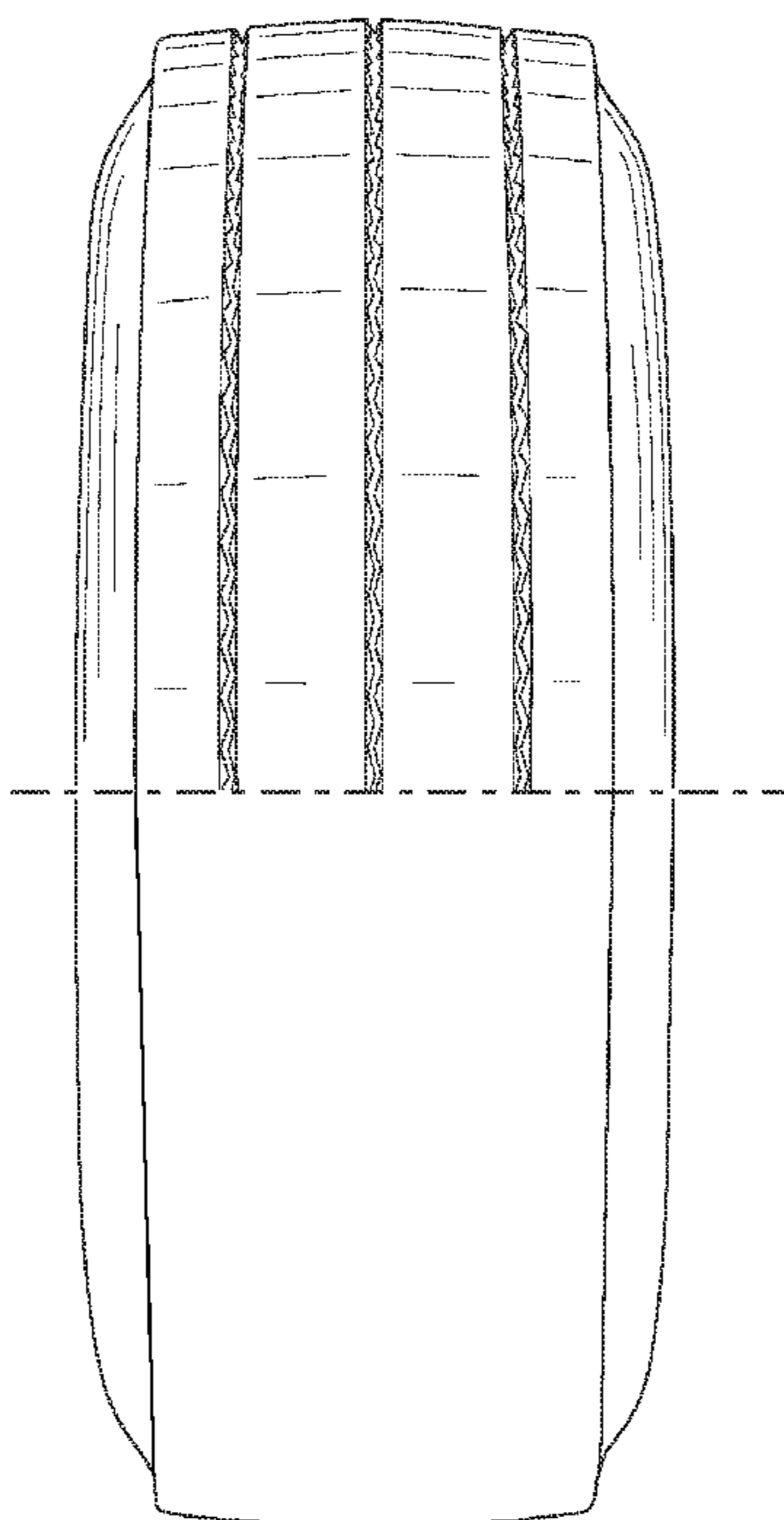
(57) **CLAIM**

The ornamental design for a tire tread for a vehicle tire, as shown and described.

DESCRIPTION

FIG. 1 is a front elevational view of a tire tread for a vehicle tire, showing my new design;
FIG. 2 is an enlarged partial front view thereof;
FIG. 3 is a side perspective view thereof; and,
FIG. 4 is a right side elevational view thereof.
The vehicle tire pattern is repeated uniformly around the circumference of the structure. The dash-dot lines showing the boundaries of the illustrated detail and the broken lines depicting the sidewall of the tire do not form part of the claim.

1 Claim, 4 Drawing Sheets



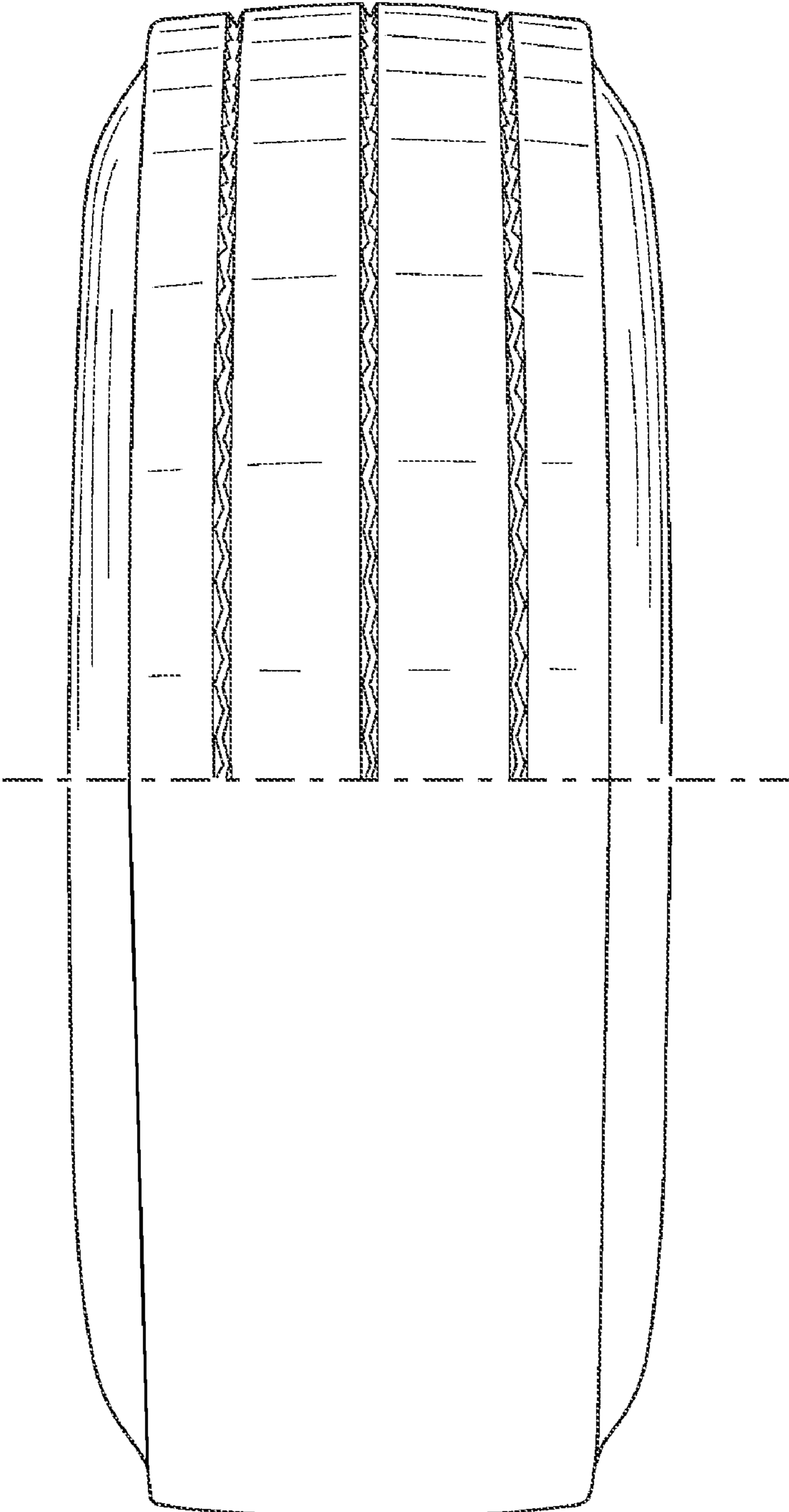


FIG. 1

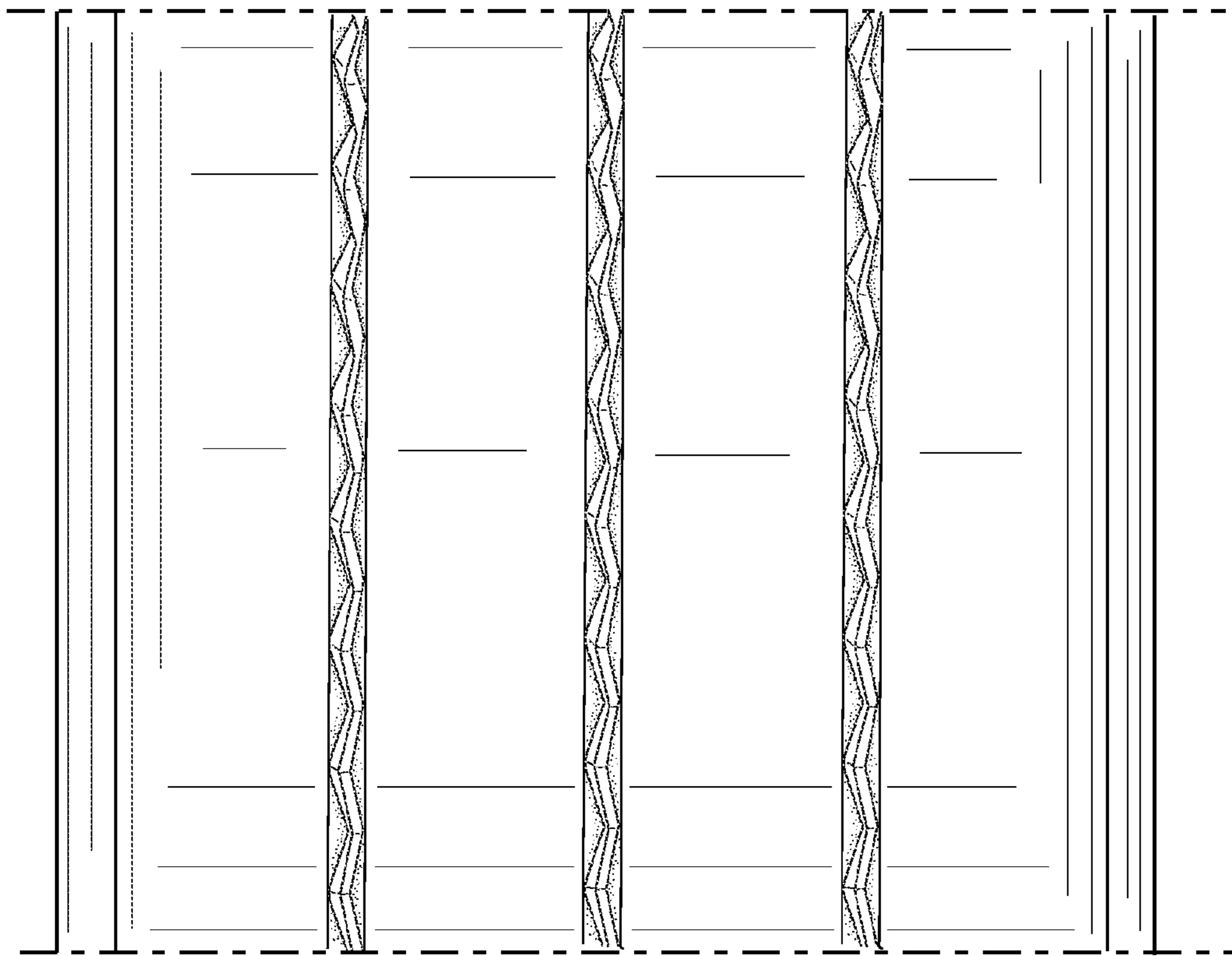


FIG. 2

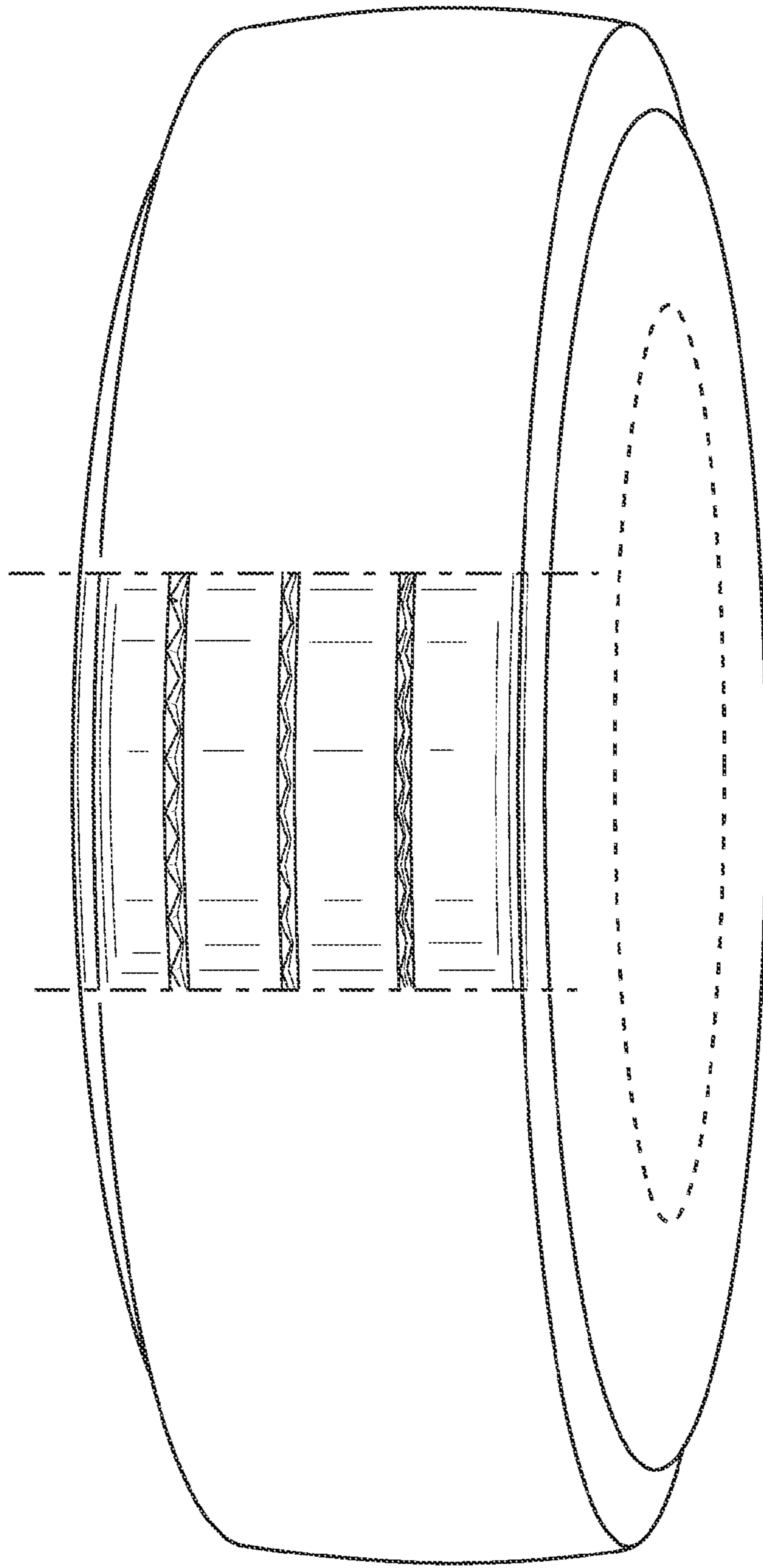


FIG. 3

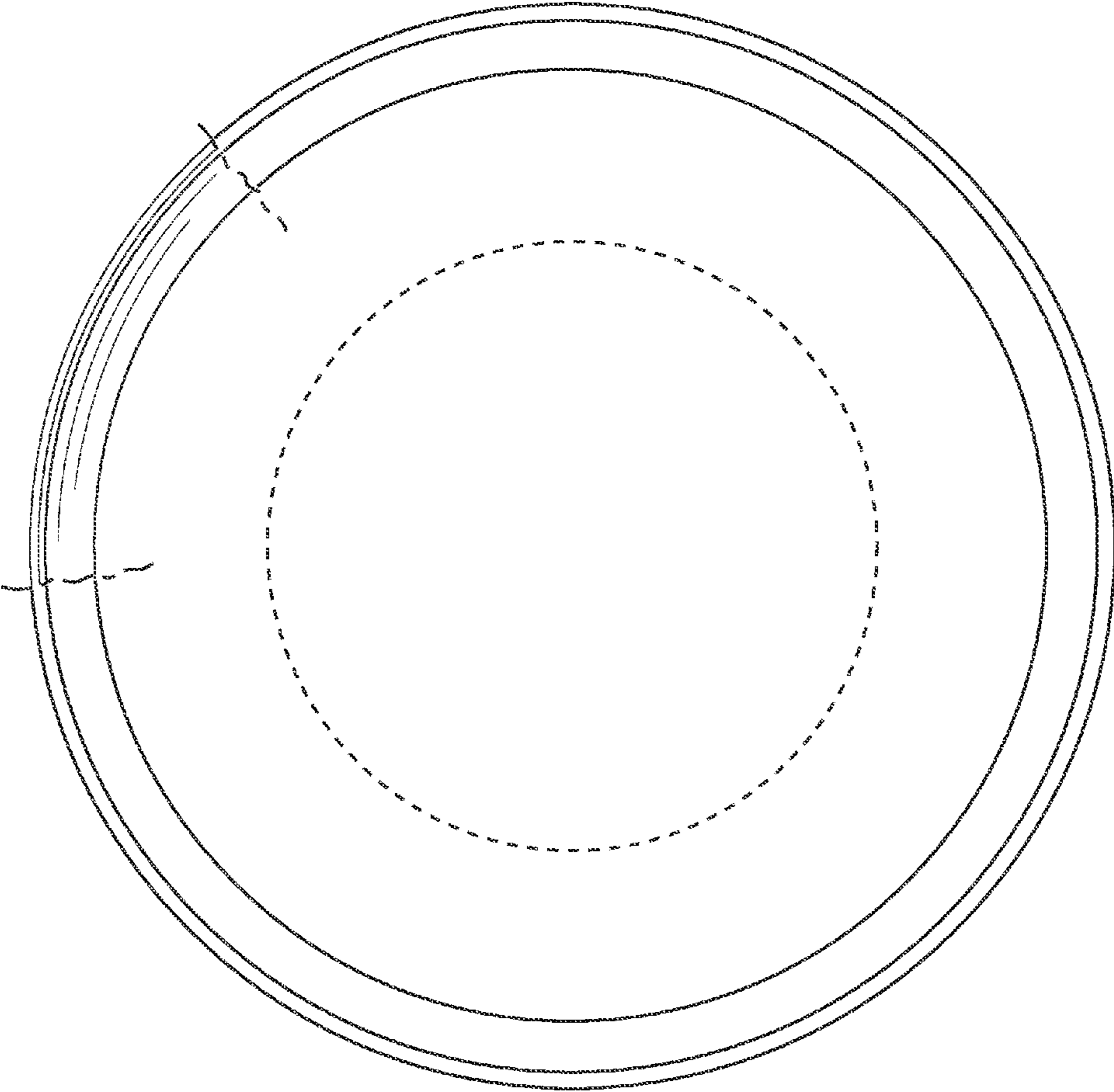


FIG. 4