



US00D653193S

(12) **United States Design Patent**
Chisholm

(10) **Patent No.:** **US D653,193 S**
(45) **Date of Patent:** **** Jan. 31, 2012**

(54) **ROOF RACK BICYCLE FORK ADAPTER**

(76) Inventor: **Philip Patrick Chisholm**, Vancouver
(CA)

(**) Term: **14 Years**

(21) Appl. No.: **29/373,784**

(22) Filed: **May 23, 2011**

(51) **LOC (9) Cl.** **12-11**

(52) **U.S. Cl.** **D12/408**

(58) **Field of Classification Search** D12/406-408,
D12/412, 115, 120; 224/400, 401, 412, 419,
224/424-426, 441, 443, 447-451, 42.11,
224/309, 319, 324, 924, 331; 280/293, 202,
280/304.5; 211/17-22, 182

See application file for complete search history.

(56) **References Cited**

U.S. PATENT DOCUMENTS

5,875,947	A *	3/1999	Noel et al.	224/315
6,036,069	A *	3/2000	Sayegh	224/324
6,167,735	B1 *	1/2001	Brown	70/19
6,425,501	B1 *	7/2002	Keung et al.	222/207
6,494,351	B1 *	12/2002	Dean	224/324

6,758,380	B1 *	7/2004	Kolda	224/315
6,851,590	B2 *	2/2005	Dean	224/324
6,938,782	B2 *	9/2005	Dean et al.	211/20
D561,680	S *	2/2008	Foley et al.	D12/408
D562,218	S *	2/2008	Foley et al.	D12/408

* cited by examiner

Primary Examiner — Susan M Lee

Assistant Examiner — Linda G. Brooks

(57) **CLAIM**

I claim the ornamental design for a roof rack bicycle fork adapter, as shown and described.

DESCRIPTION

FIG. 1 is a front perspective view of the roof rack bicycle fork adapter;

FIG. 2 is a rear perspective view thereof;

FIG. 3 is a front view thereof;

FIG. 4 is a rear view thereof;

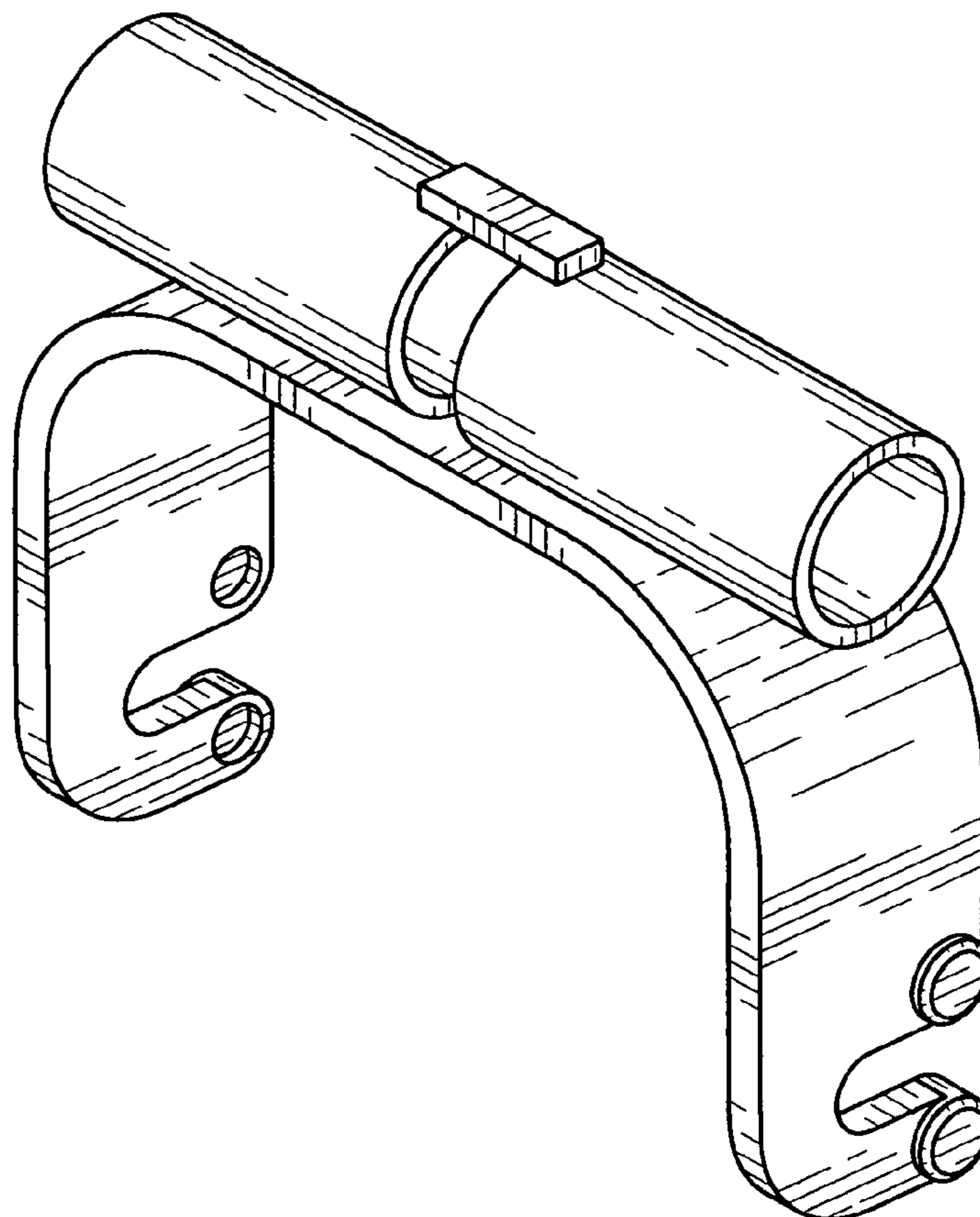
FIG. 5 is a left side view thereof;

FIG. 6 is a right side view thereof;

FIG. 7 is a top view thereof; and,

FIG. 8 is a bottom view thereof.

1 Claim, 3 Drawing Sheets



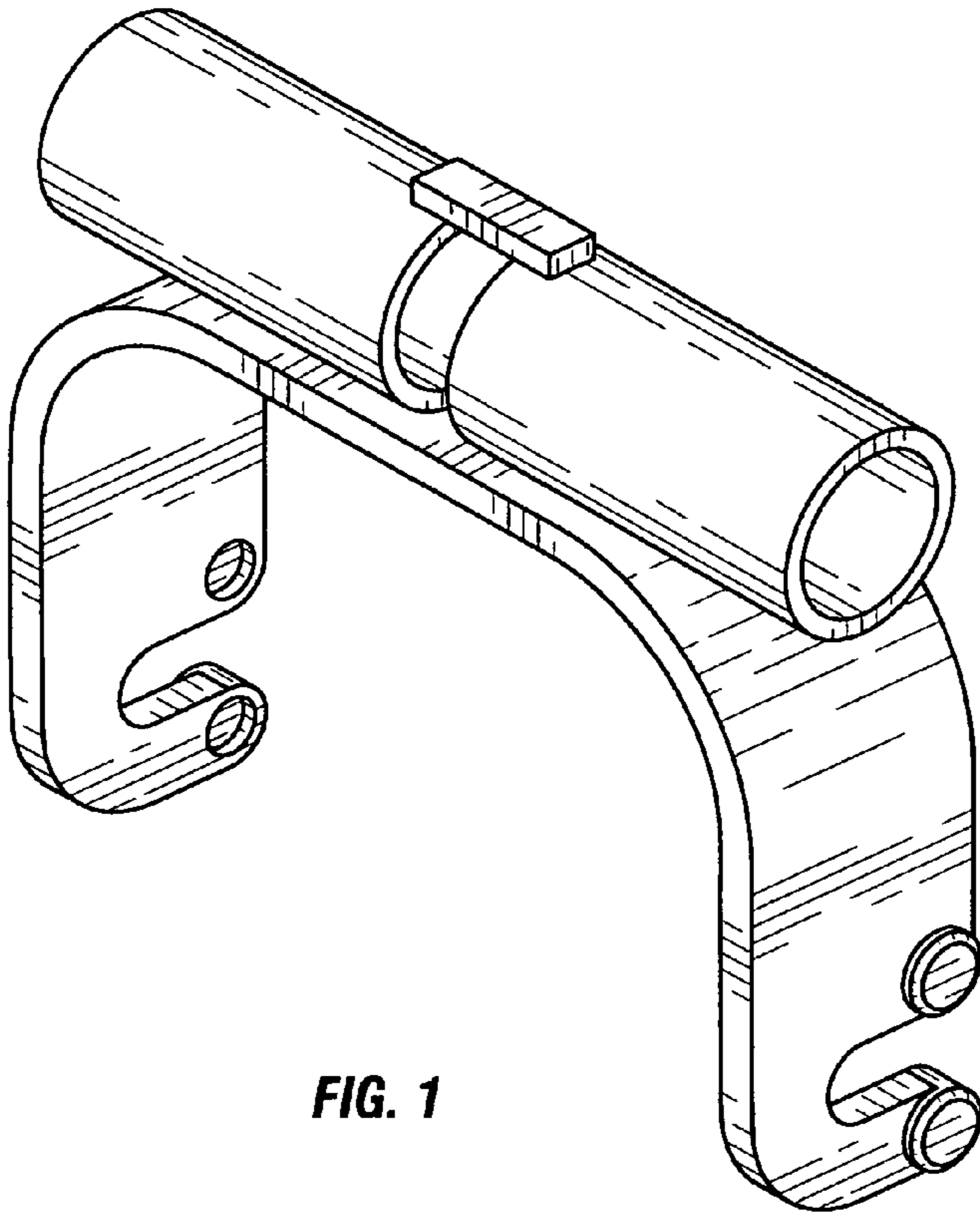


FIG. 1

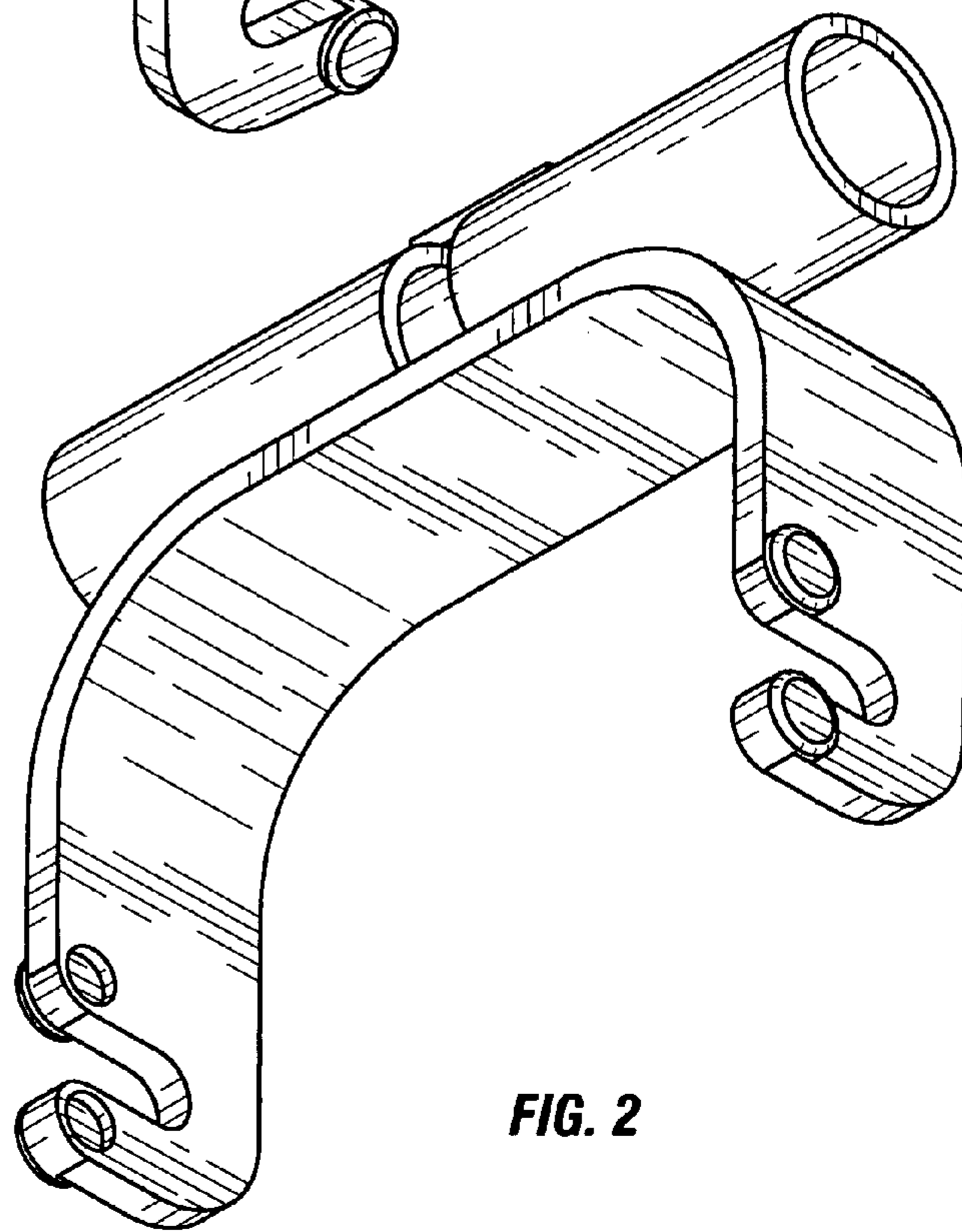


FIG. 2

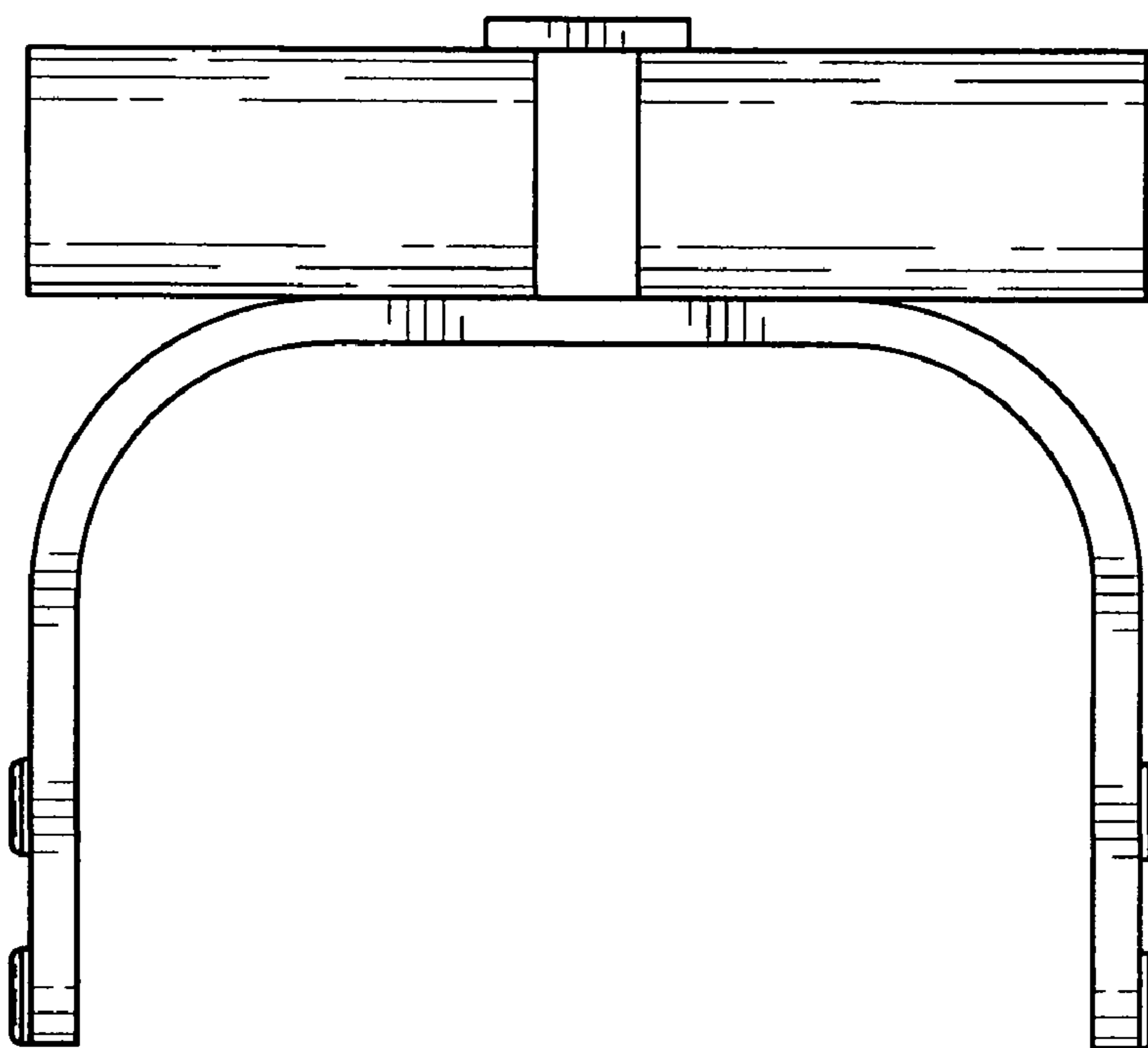


FIG. 3

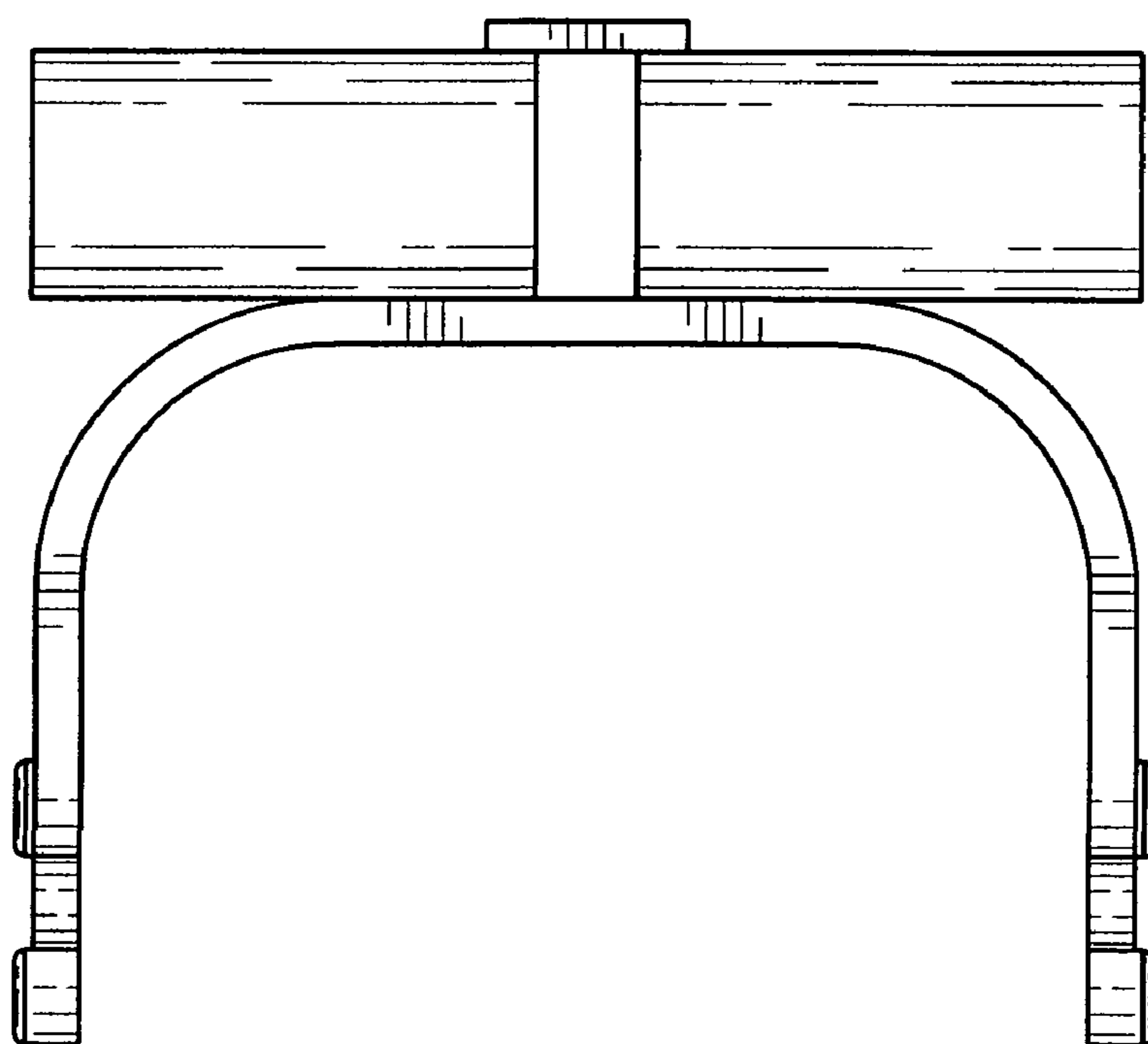


FIG. 4

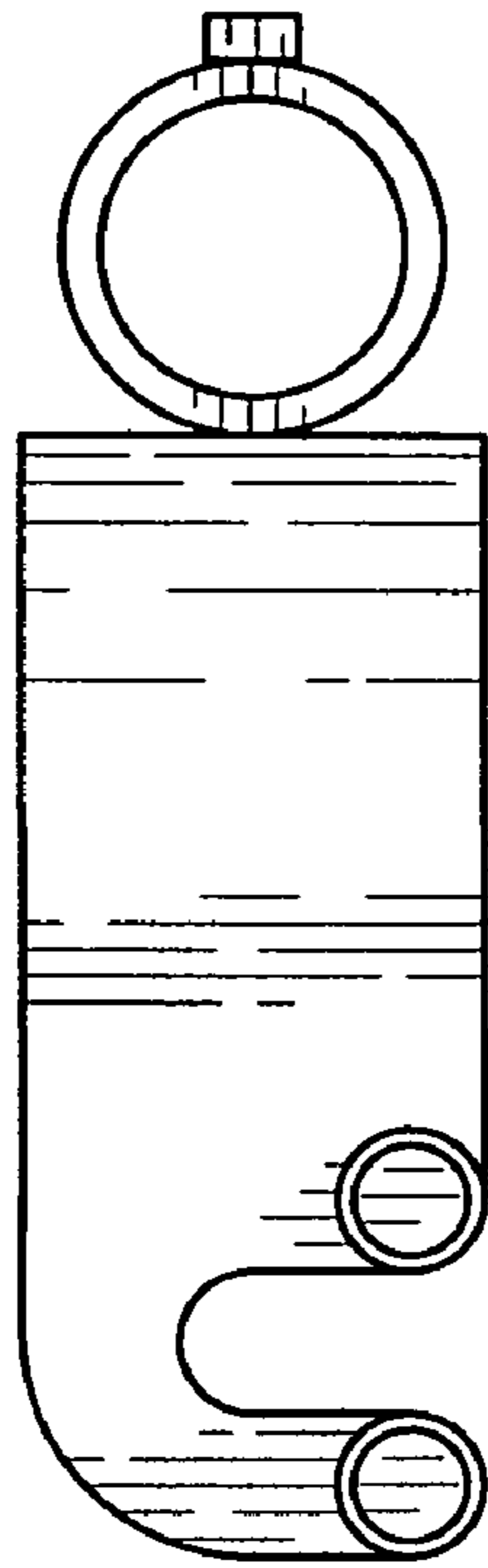


FIG. 5

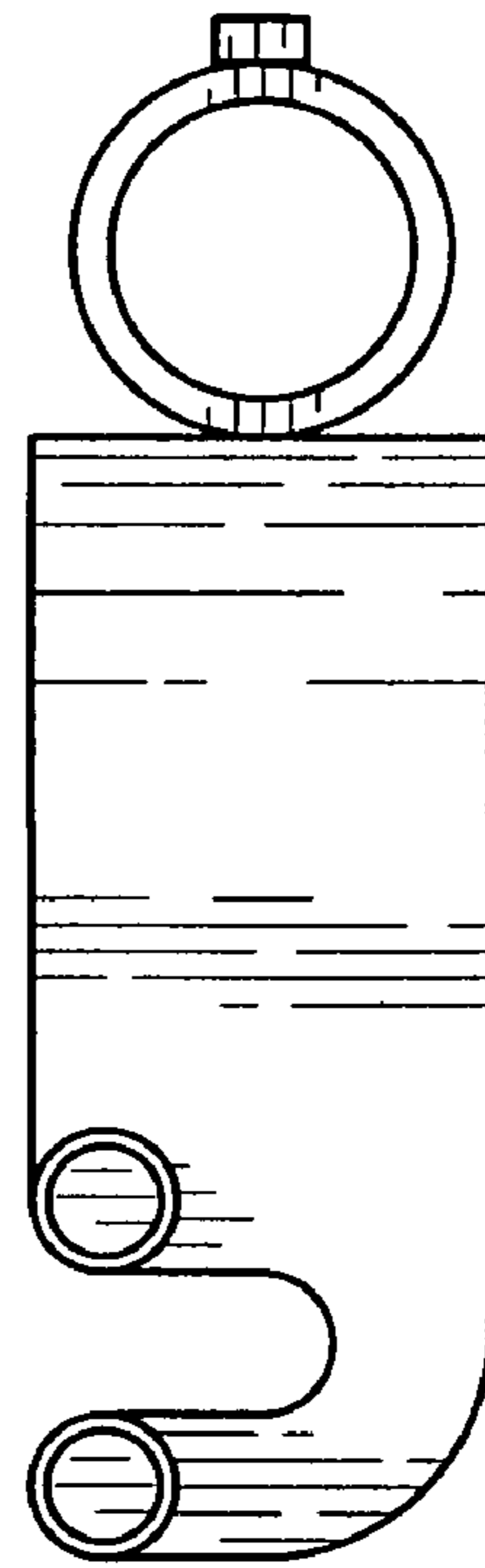


FIG. 6

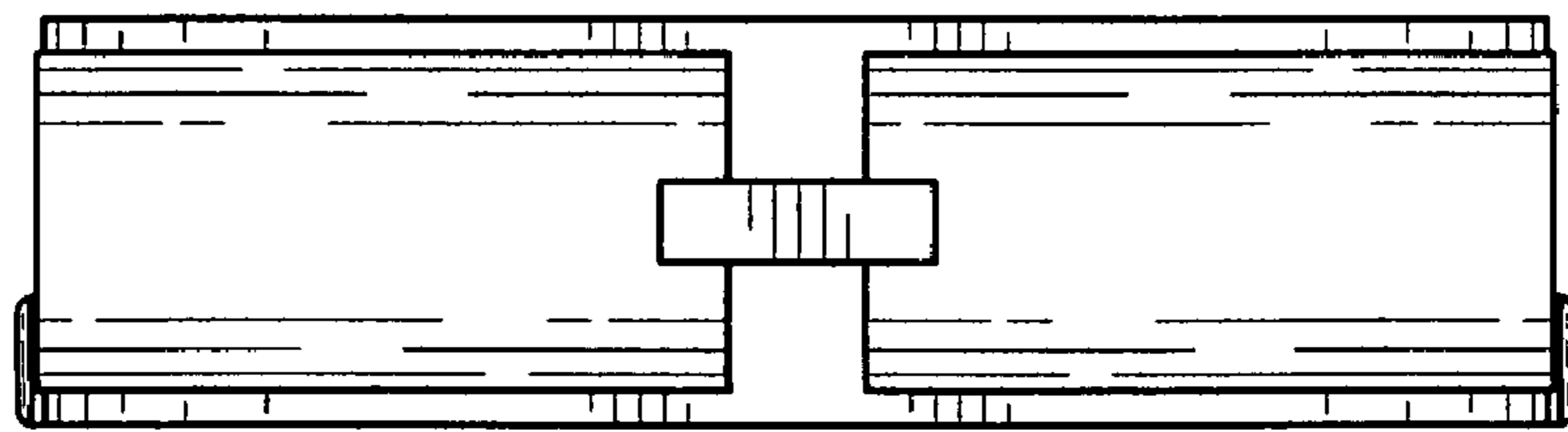


FIG. 7

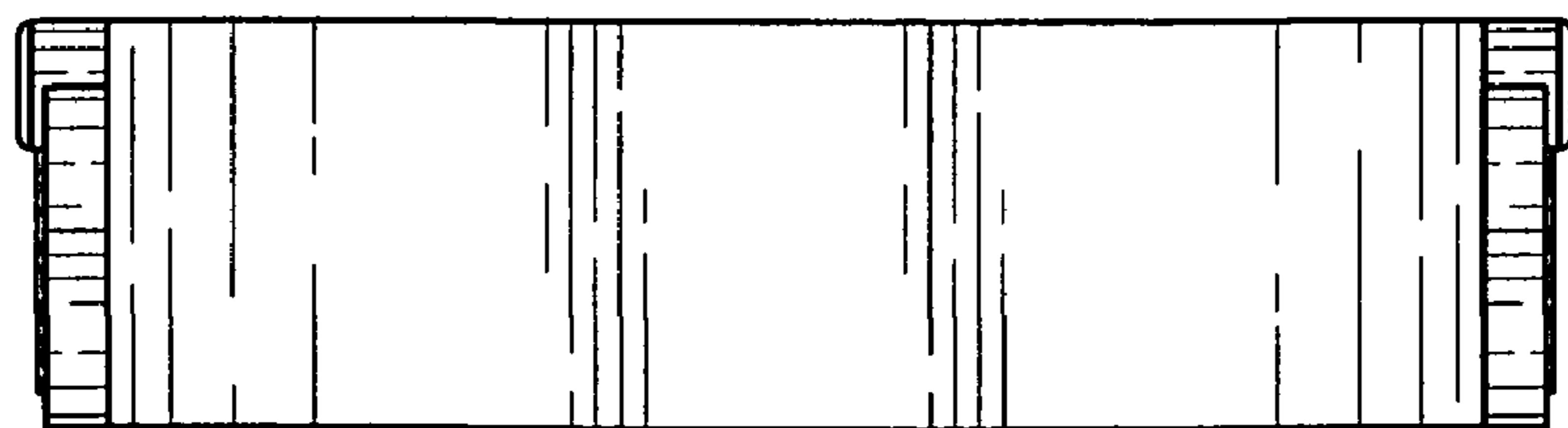


FIG. 8