



US00D653190S

(12) **United States Design Patent**
Richter

(10) **Patent No.:** **US D653,190 S**
(45) **Date of Patent:** **** Jan. 31, 2012**

(54) **BIKE-MOUNTED ARTICLE HOLDER WITH EXTENDED NECK**

(76) Inventor: **Harald Richter**, Engelsbrand (DE)

(**) Term: **14 Years**

(21) Appl. No.: **29/348,950**

(22) Filed: **Feb. 24, 2010**

(51) **LOC (9) Cl.** **12-11**

(52) **U.S. Cl.** **D12/223; D12/407**

(58) **Field of Classification Search** D12/223,
D12/114, 111, 407, 110; 280/288.4, 304.5;
248/200, 214, 218.4, 371, 503; 224/42.11,
224/412, 413, 419-427, 441, 443, 448, 456,
224/461, 926; D8/343, 349, 355, 382, 394

See application file for complete search history.

(56) **References Cited**

U.S. PATENT DOCUMENTS

3,970,274	A *	7/1976	Resk	248/185.1
D353,986	S *	1/1995	Maglica	D8/72
6,186,383	B1 *	2/2001	Kobdish	224/420
6,446,922	B2 *	9/2002	Irie	248/230.1
D520,440	S *	5/2006	Lee	D12/223
D573,524	S *	7/2008	Smith et al.	D12/223
8,011,627	B2 *	9/2011	Andkjar	248/214

* cited by examiner

Primary Examiner — Susan M Lee

Assistant Examiner — Linda G. Brooks

(74) *Attorney, Agent, or Firm* — Klaus J. Bach

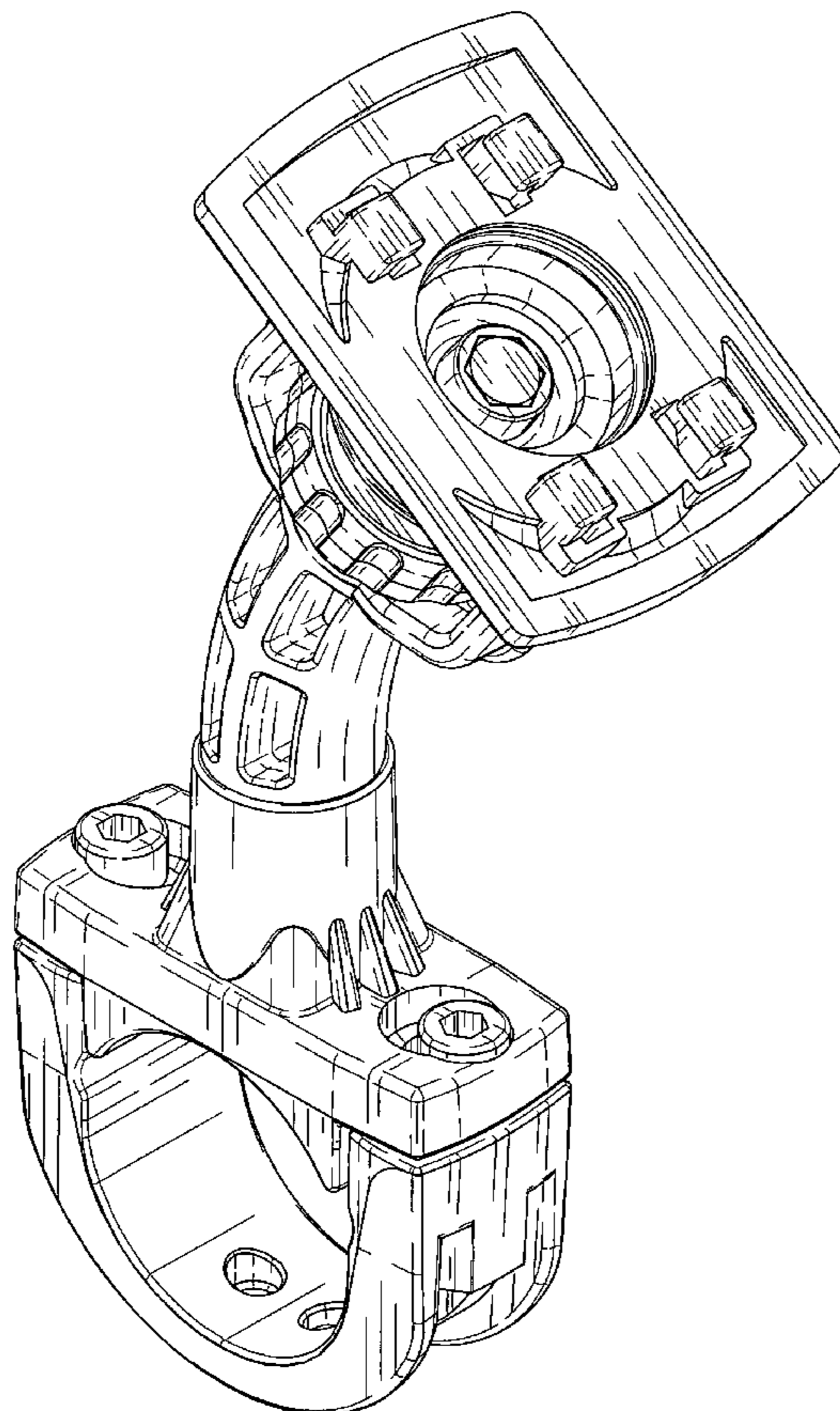
(57) **CLAIM**

The ornamental design for a bike-mounted article holder with extended neck, as shown and described.

DESCRIPTION

FIG. 1 is a perspective view of a bike-mounted article holder with extended neck;
FIG. 2 is a left side view of the bike-mounted article holder with extended neck shown in FIG. 1,
FIG. 3 is a top view of the bike-mounted article holder with extended neck shown in FIG. 2,
FIG. 4 is a bottom view of the bike-mounted article holder with extended neck shown in FIG. 1,
FIG. 5 is a front view of the bike-mounted article holder with extended neck shown in FIG. 1,
FIG. 6 is a right side view of the bike-mounted article holder with extended neck shown in FIG. 1; and,
FIG. 7 is a rear view of the bike-mounted article holder with extended neck shown in FIG. 5.

1 Claim, 6 Drawing Sheets



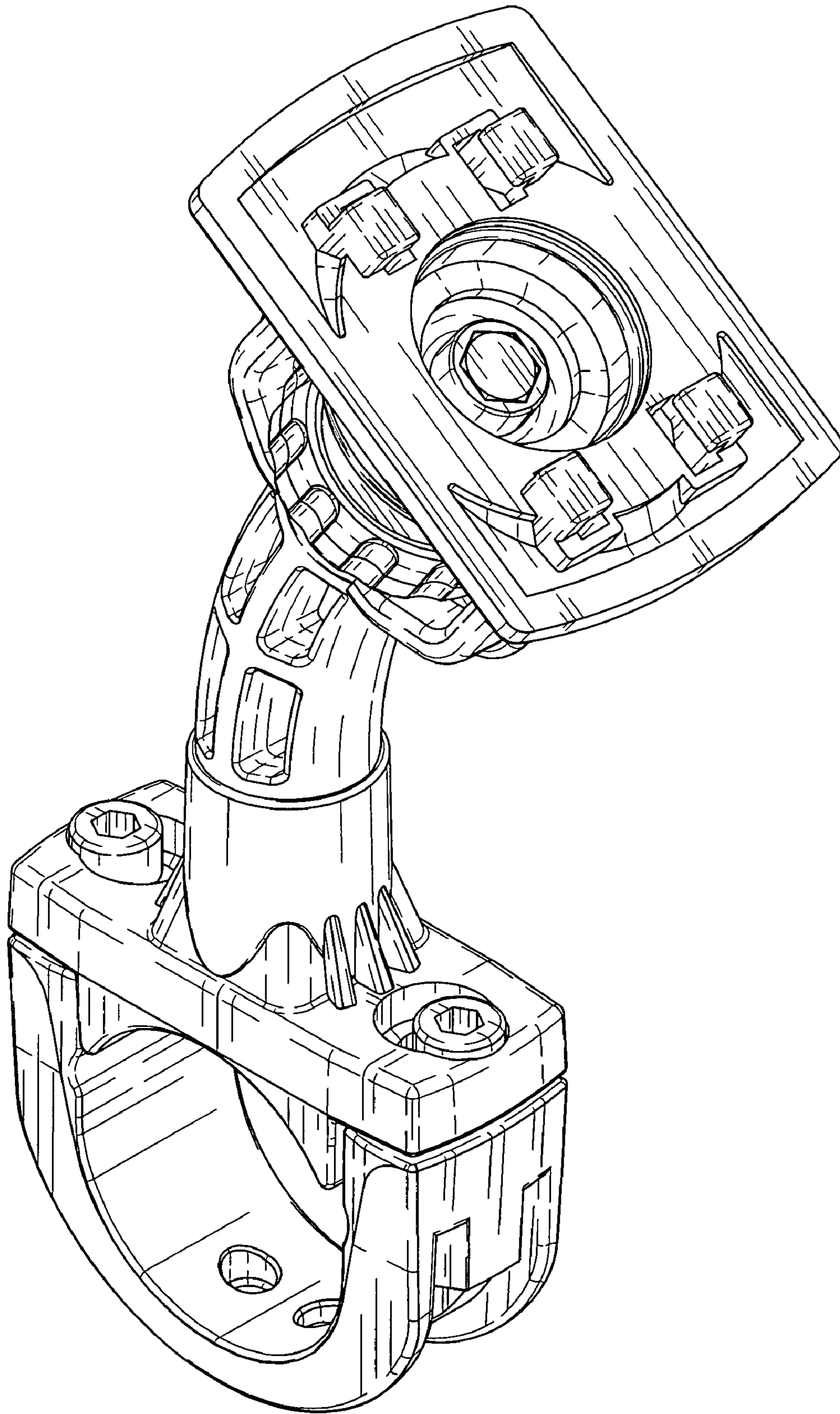


FIG. 1

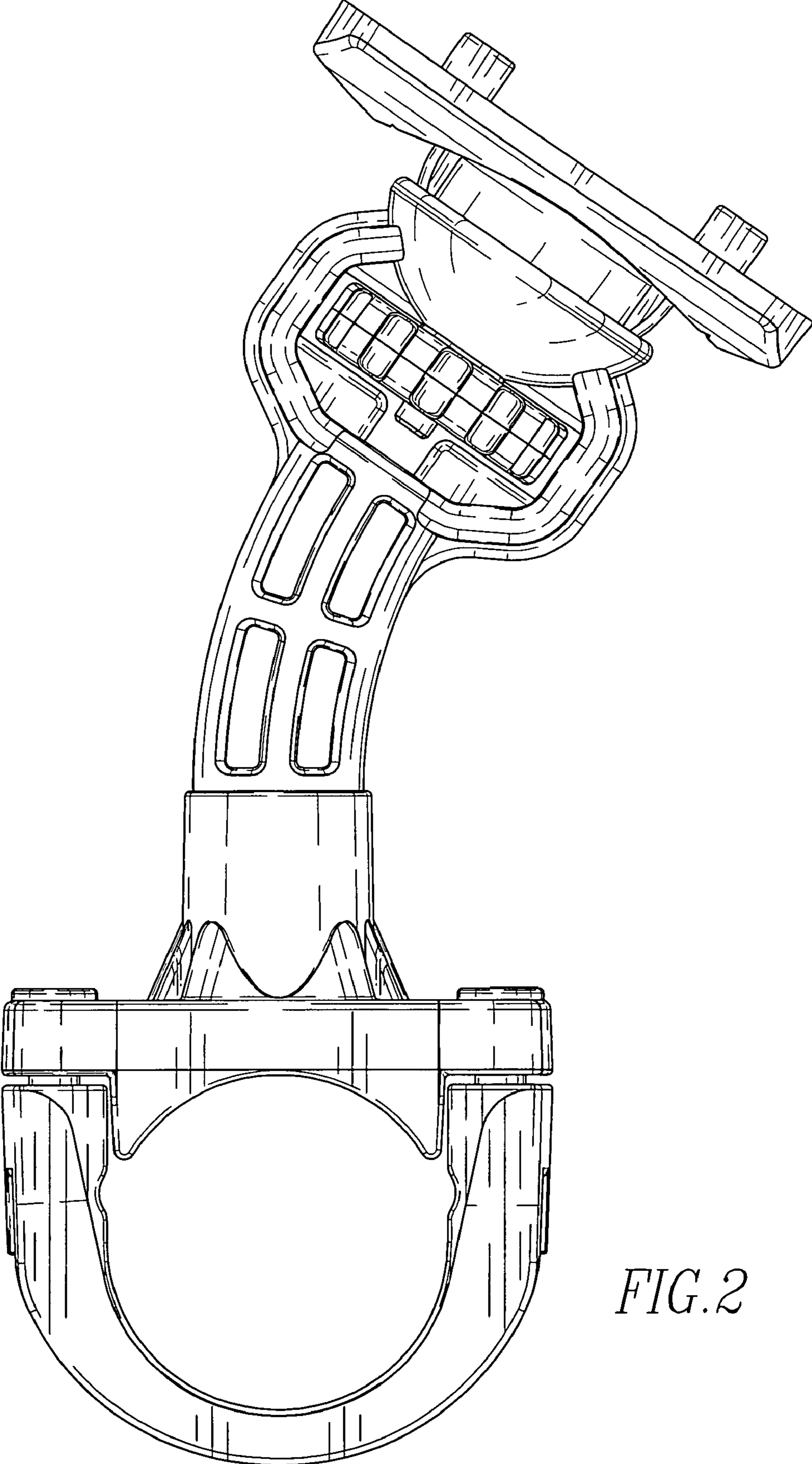


FIG. 2

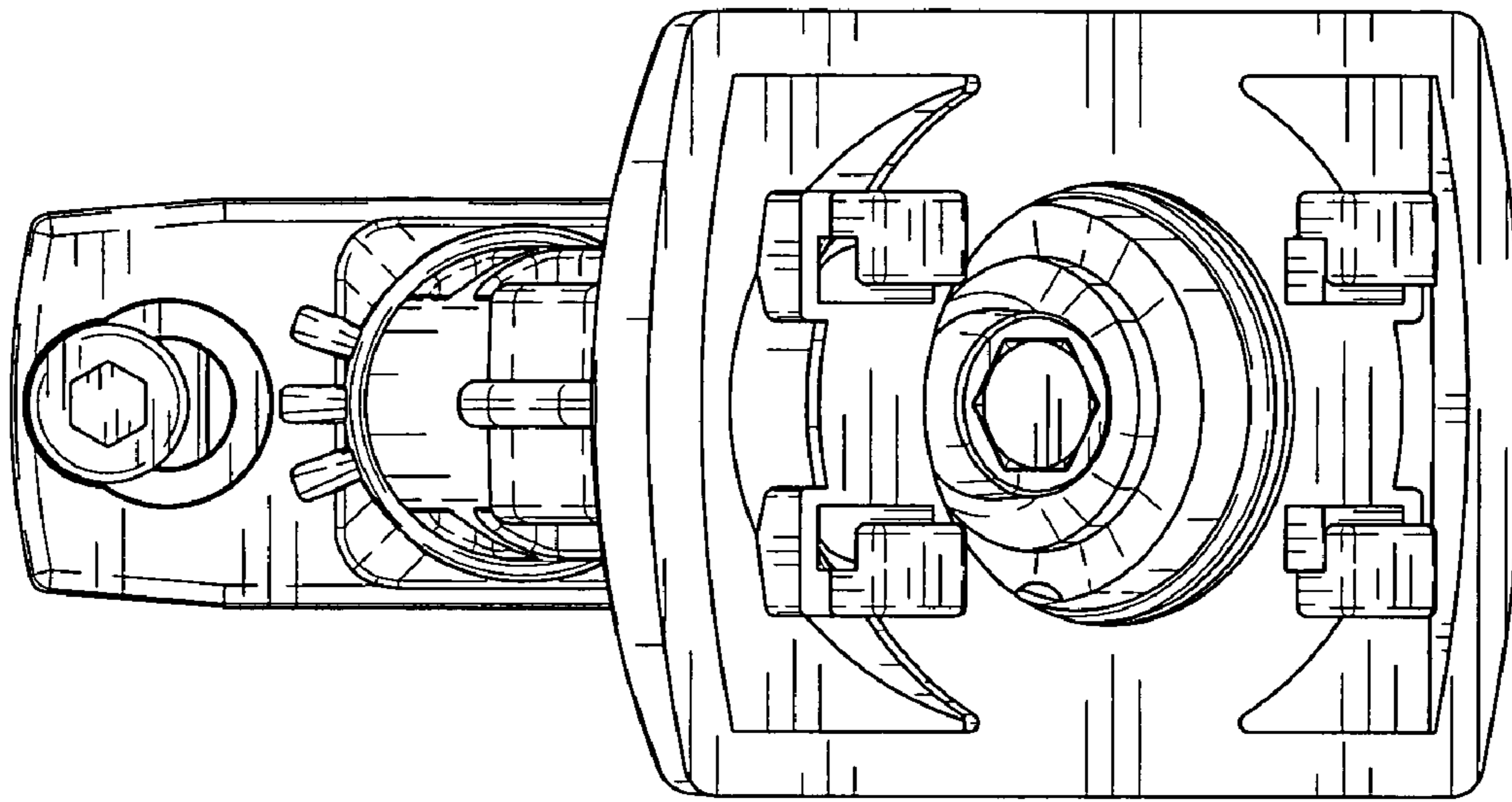


FIG. 3

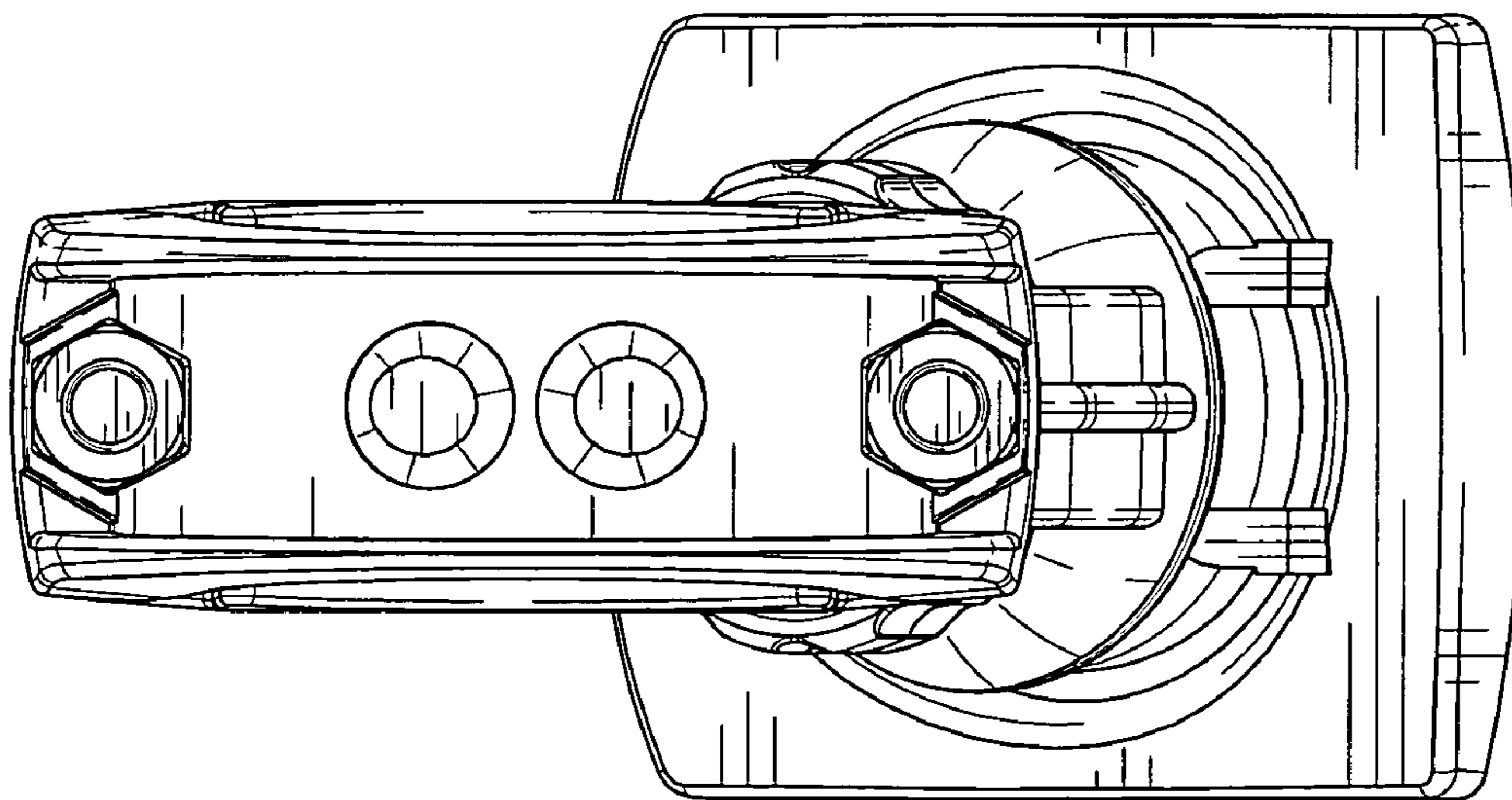


FIG. 4

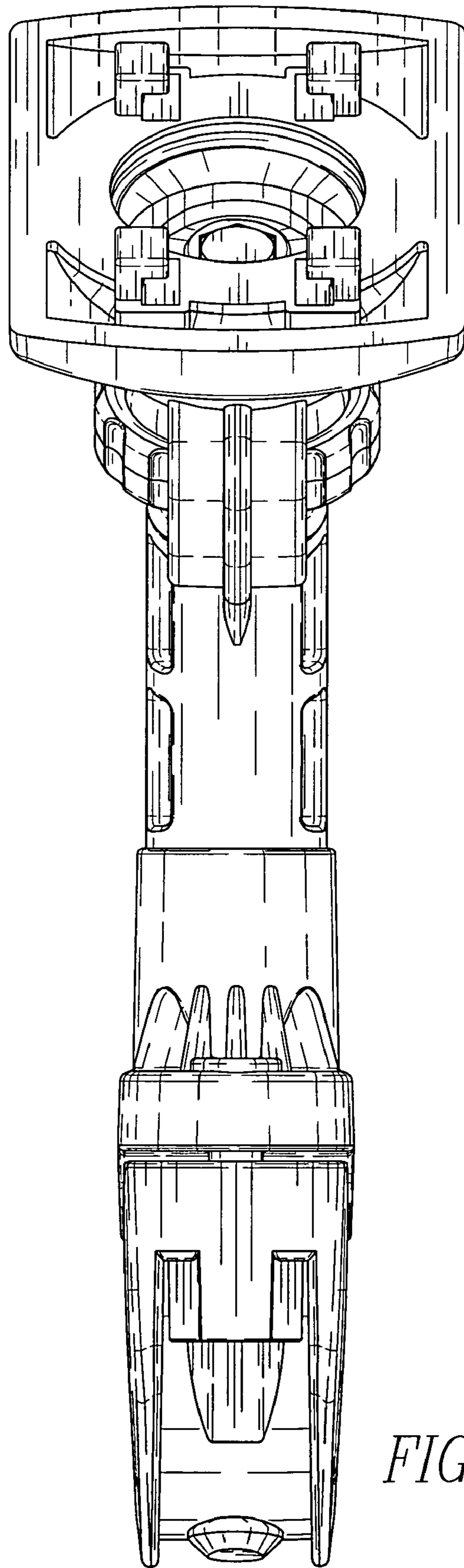


FIG. 5

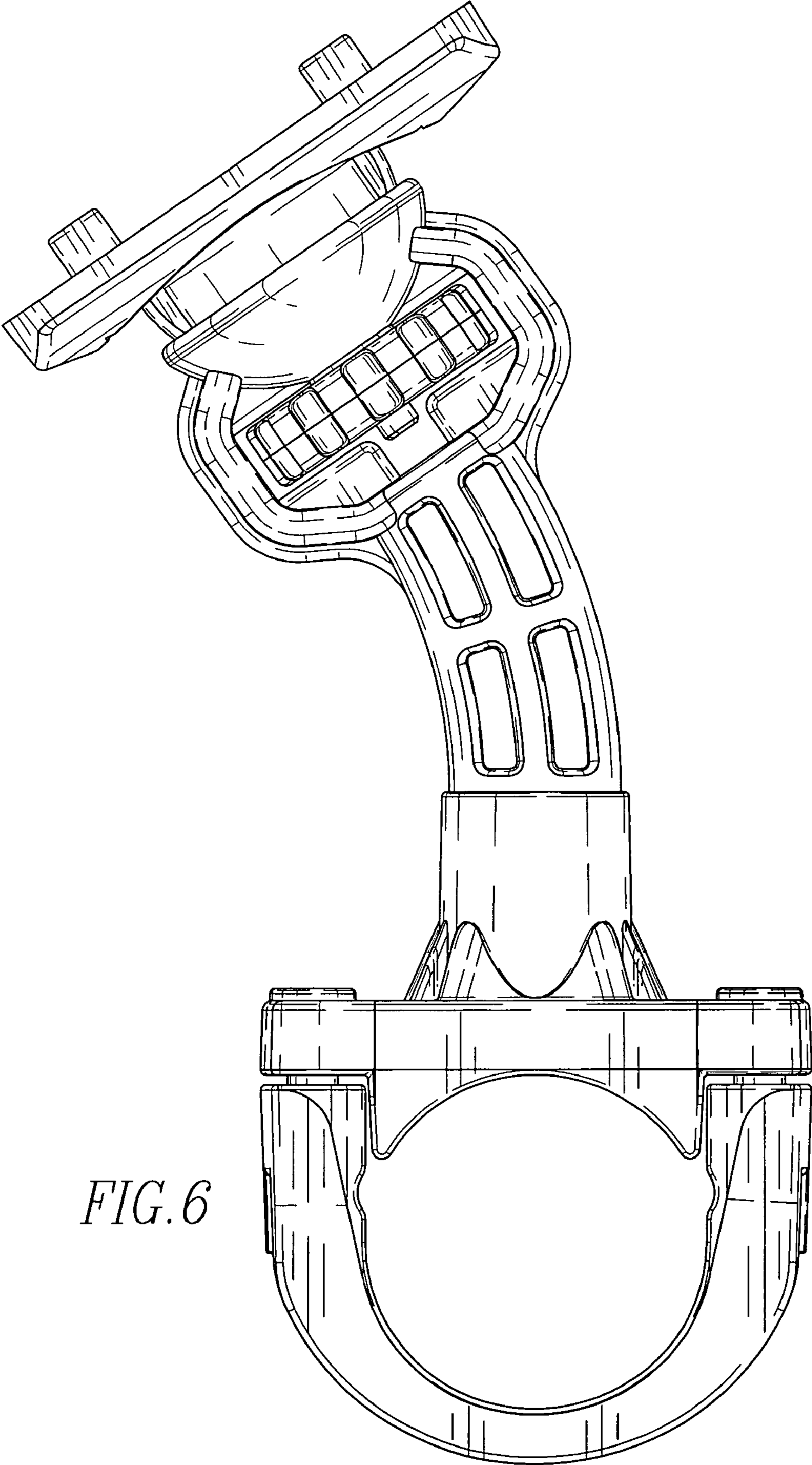


FIG. 6

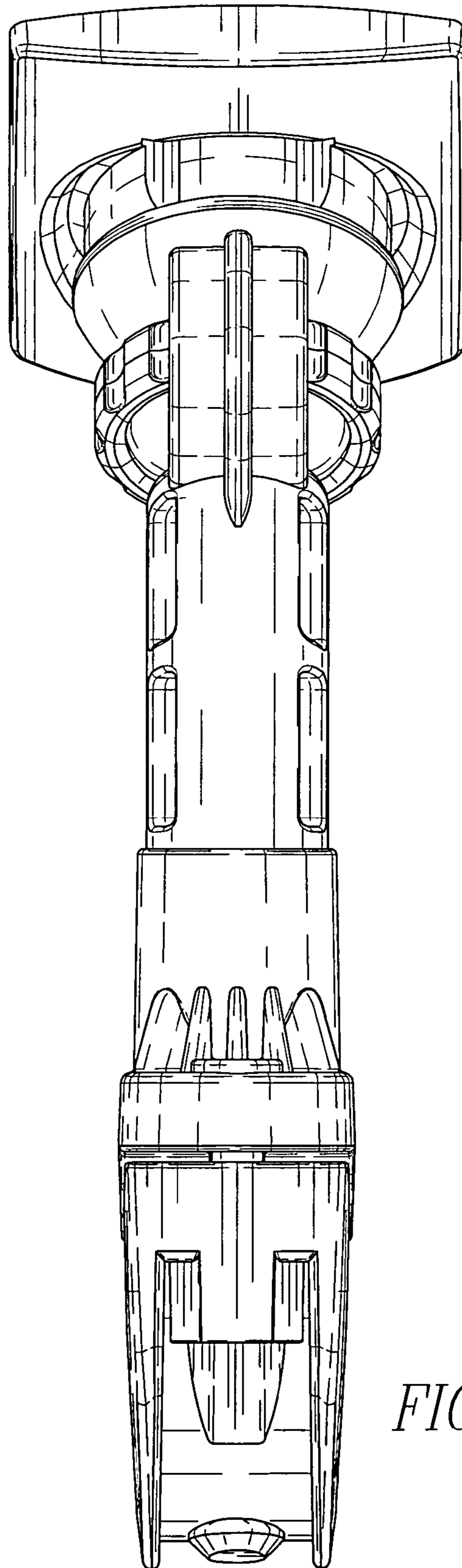


FIG. 7