



US00D653189S

(12) **United States Design Patent**
Zhao

(10) **Patent No.:** **US D653,189 S**
(45) **Date of Patent:** **** Jan. 31, 2012**

(54) **FRONT FACE OF A VEHICLE WHEEL**

(76) Inventor: **John Zhao**, Monterey Park, CA (US)

(**) Term: **14 Years**

(21) Appl. No.: **29/358,464**

(22) Filed: **Mar. 26, 2010**

(51) **LOC (9) Cl.** **12-16**

(52) **U.S. Cl.** **D12/211**

(58) **Field of Classification Search** D12/204-213;
301/37.101, 64.101, 65, 64.201
See application file for complete search history.

D555,066 S *	11/2007	Hernandez	D12/211
D573,082 S *	7/2008	Young	D12/211
D591,663 S *	5/2009	Chung	D12/211
D617,711 S *	6/2010	Lamm et al.	D12/209
D617,720 S *	6/2010	Zhao	D12/211
D625,244 S *	10/2010	Zhao	D12/211

* cited by examiner

Primary Examiner — Stacia Cadmus

(74) *Attorney, Agent, or Firm* — Procopio, Cory, Hargreaves & Savitch LLP

(57) **CLAIM**

The ornamental design for a front face of a vehicle wheel, as shown and described.

(56) **References Cited**

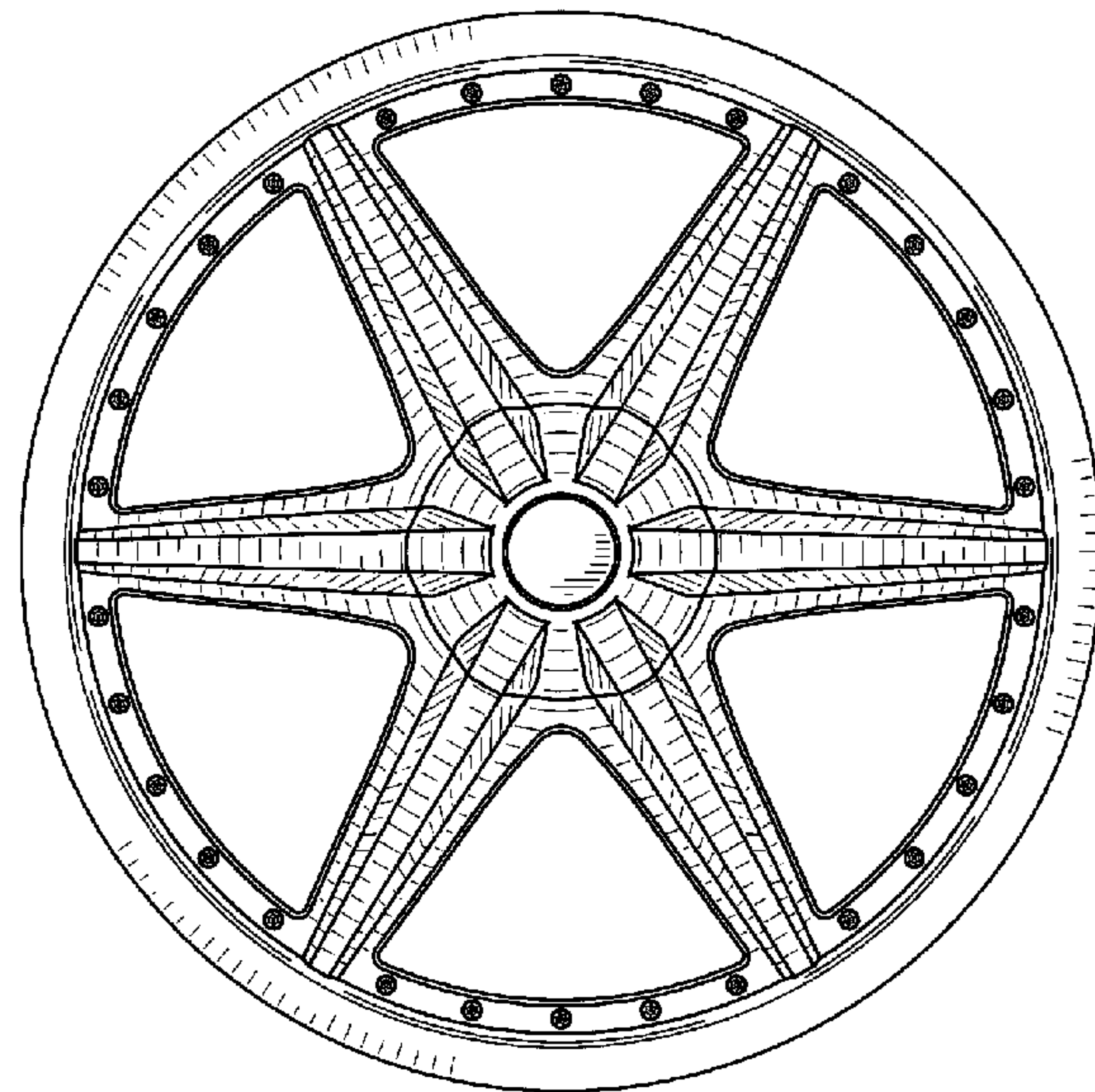
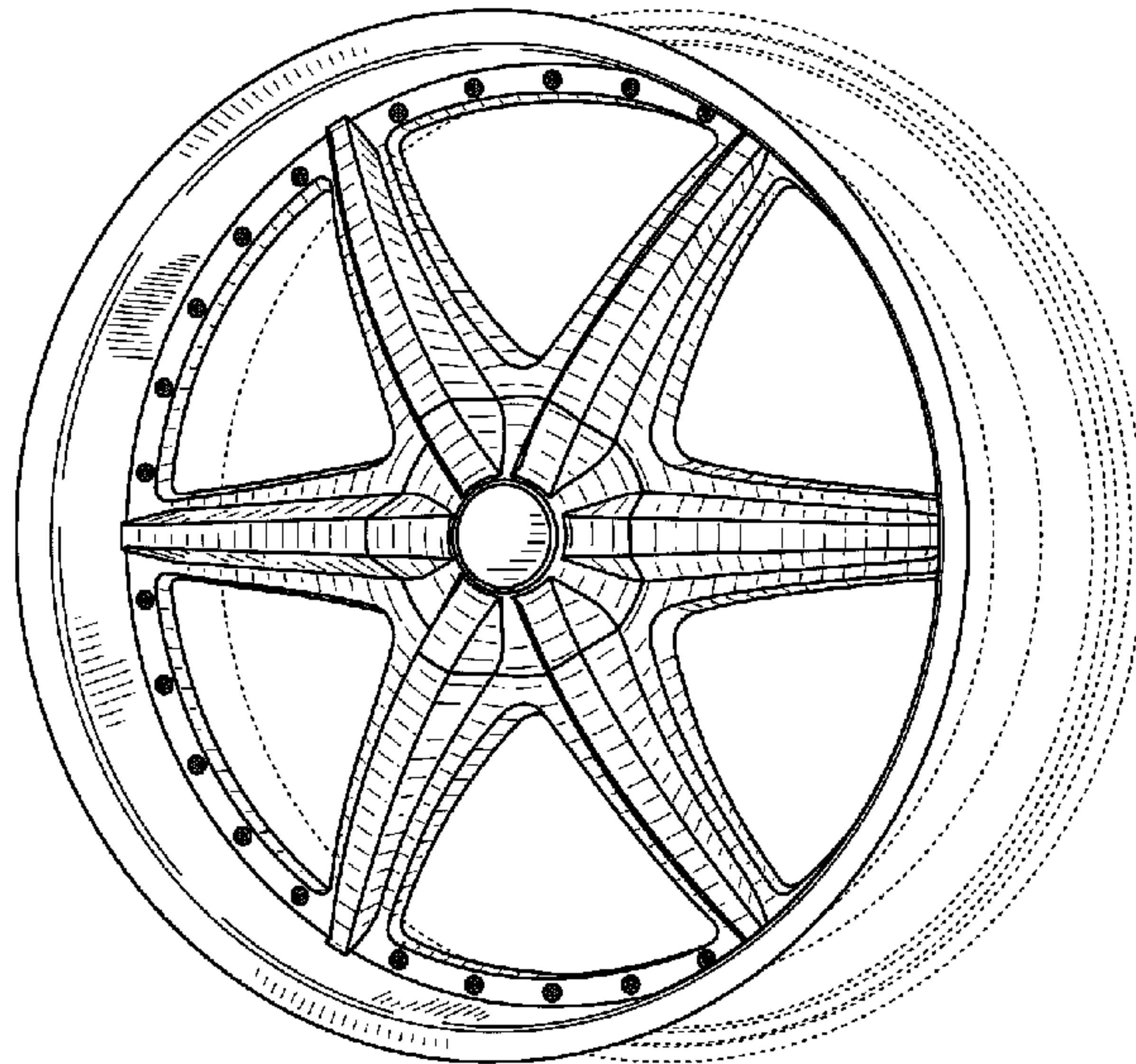
U.S. PATENT DOCUMENTS

D480,037 S *	9/2003	Takechi	D12/211
D488,763 S *	4/2004	Takechi	D12/211
D500,003 S *	12/2004	Guevara	D12/211
D506,429 S *	6/2005	Arellano et al.	D12/211
D512,949 S *	12/2005	Ettensberger	D12/211
D536,655 S *	2/2007	Kim	D12/211
D545,749 S *	7/2007	Young	D12/211

DESCRIPTION

FIG. 1 is a perspective view of a front face of a vehicle wheel embodying my new design; and, FIG. 2 is a front view thereof. The broken lines are for illustrative purposes only and form no part of the claimed design.

1 Claim, 2 Drawing Sheets



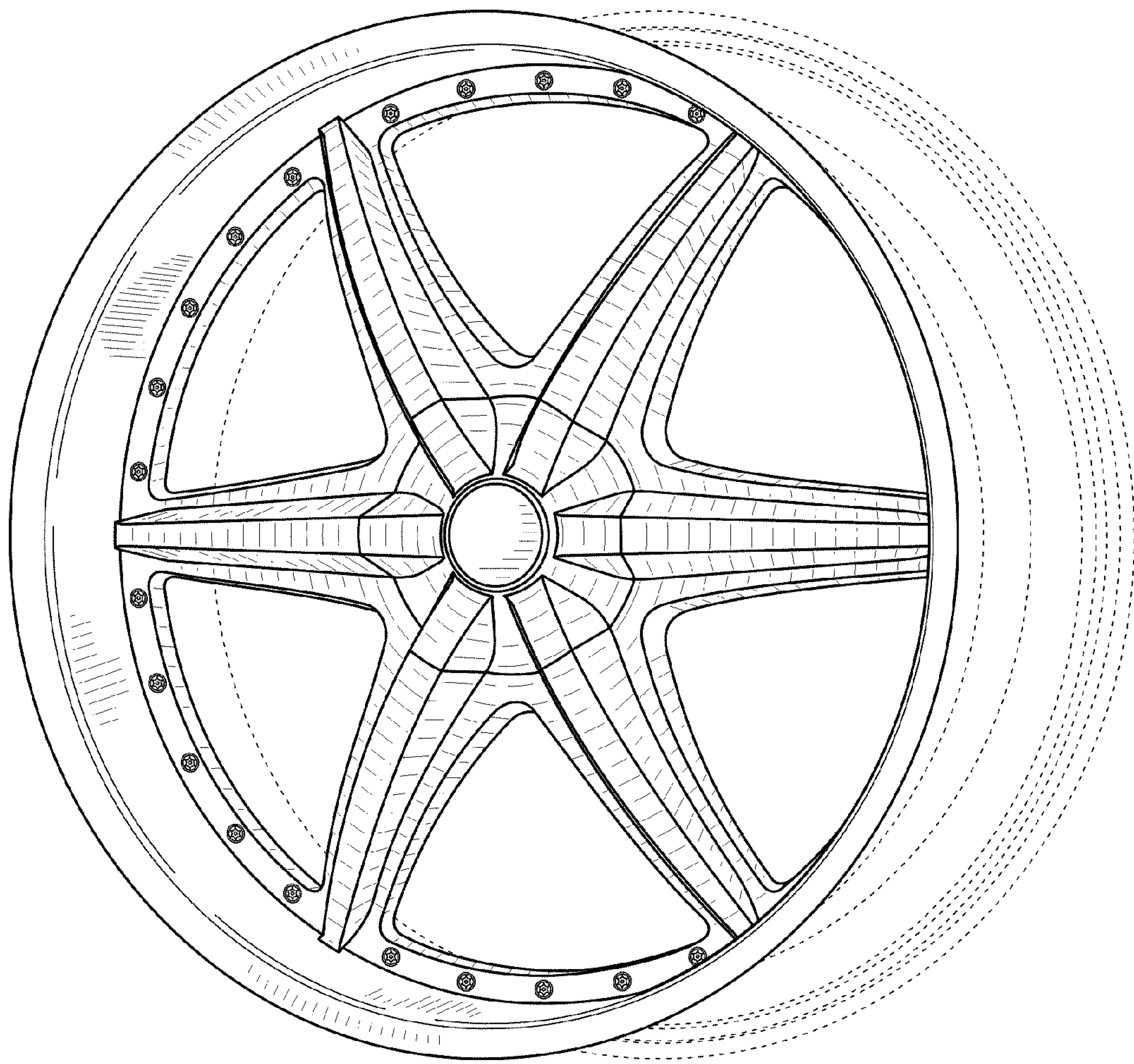


FIG. 1

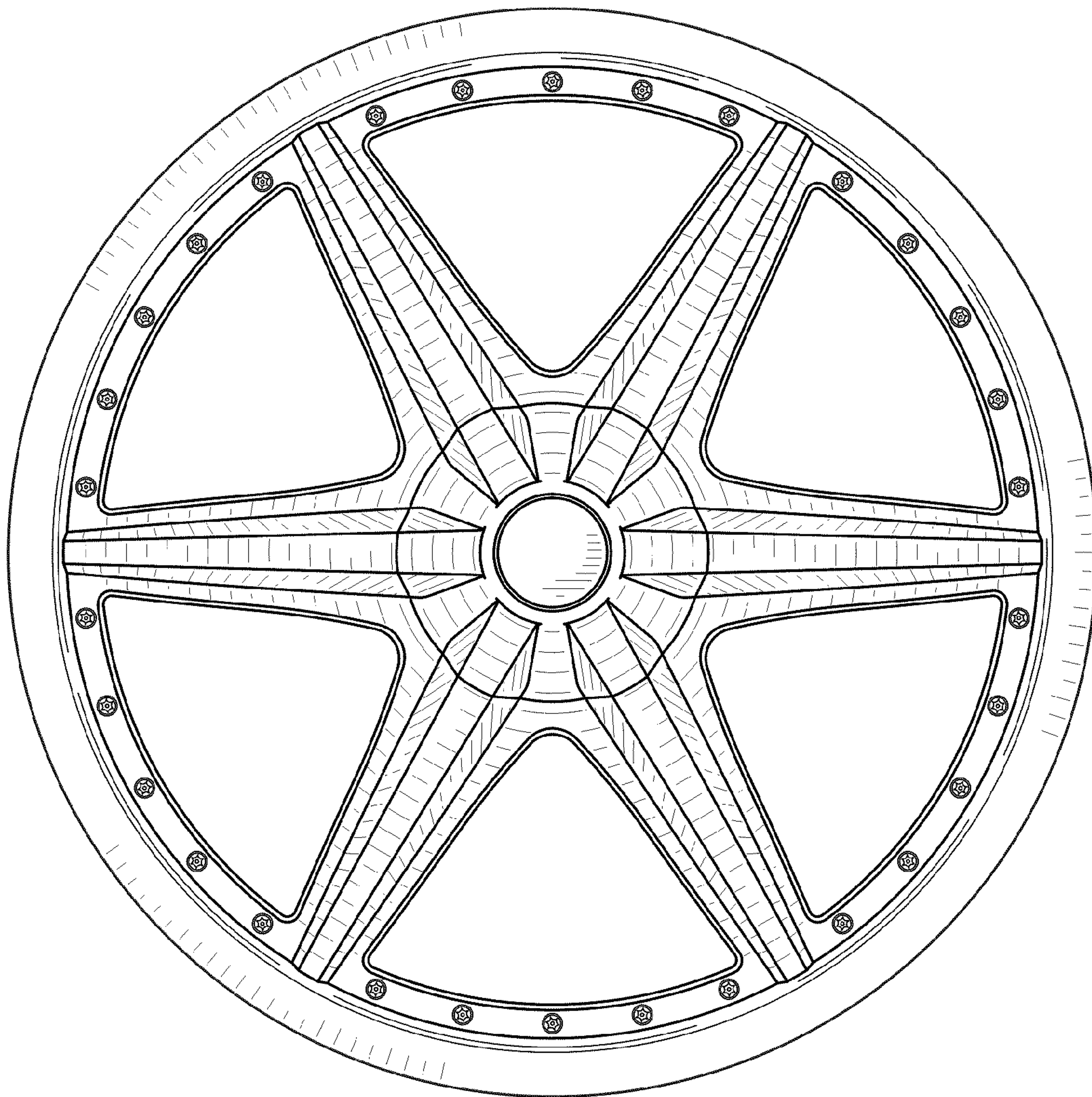


FIG. 2