



US00D653178S

(12) **United States Design Patent**  
**Carducci**

(10) **Patent No.:** **US D653,178 S**  
(45) **Date of Patent:** **\*\* Jan. 31, 2012**

(54) **VEHICLE SIDE PANEL PROTECTING UNIT**

(76) Inventor: **Salvatore Carducci**, Beverly Hills, FL  
(US)

(\*\*) Term: **14 Years**

(21) Appl. No.: **29/350,213**

(22) Filed: **Nov. 12, 2009**

(51) **LOC (9) Cl.** ..... **12-16**

(52) **U.S. Cl.** ..... **D12/167**

(58) **Field of Classification Search** ..... D12/167,  
D12/190, 191; 293/1, 126, 128, 136; 280/429,  
280/770

See application file for complete search history.

(56) **References Cited**

**U.S. PATENT DOCUMENTS**

4,401,331	A	8/1983	Ziner et al.	
4,871,205	A	10/1989	Bray	
5,060,994	A	10/1991	Martin et al.	
5,188,407	A	2/1993	Villaveces et al.	
5,320,392	A	6/1994	Hart	
6,179,354	B1	1/2001	Bennett, Jr.	
D437,810	S *	2/2001	Runfola	D12/167
D446,484	S *	8/2001	Martel	D12/167
D490,754	S	6/2004	Harris	

7,635,152 B1 \* 12/2009 Janus ..... 293/126  
\* cited by examiner

*Primary Examiner* — Melody N Brown

(57) **CLAIM**

The ornamental design for a vehicle side panel protecting unit, as shown and described.

**DESCRIPTION**

FIG. 1 is a front elevation view of a vehicle side panel protecting unit showing my new design, wherein the portions in broken lines are for illustrative purposes only and form no portion of the claimed design;

FIG. 2 is a rear elevation view of the vehicle side panel protecting unit;

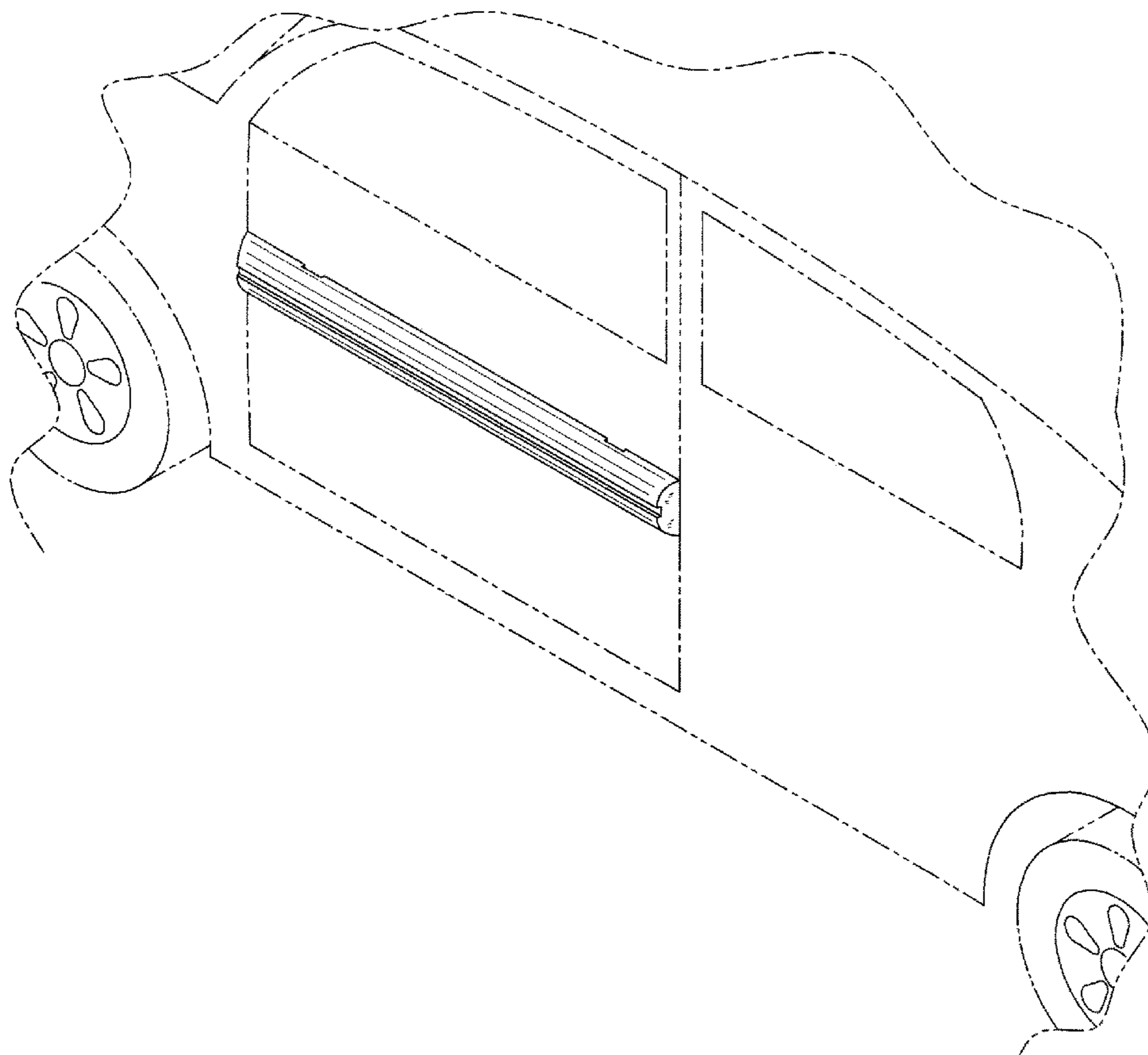
FIG. 3 is a side elevated view of the vehicle side panel protecting unit, the opposite side being a mirror image;

FIG. 4 is a top plan view of the vehicle side panel protecting unit;

FIG. 5 is a bottom plan view of the vehicle side panel protecting unit; and,

FIG. 6 is a front perspective view of the vehicle side panel protecting unit, wherein the portions in broken lines are for illustrative purposes only and form no portion of the claimed design.

**1 Claim, 3 Drawing Sheets**



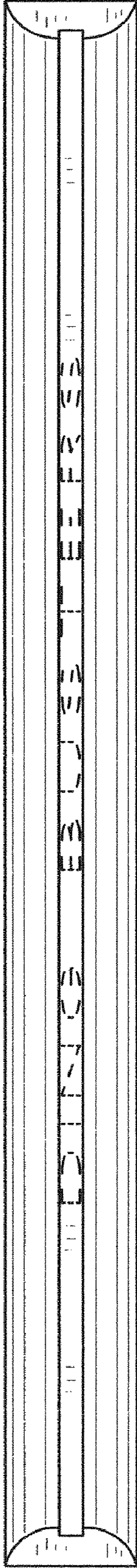


FIG. 1

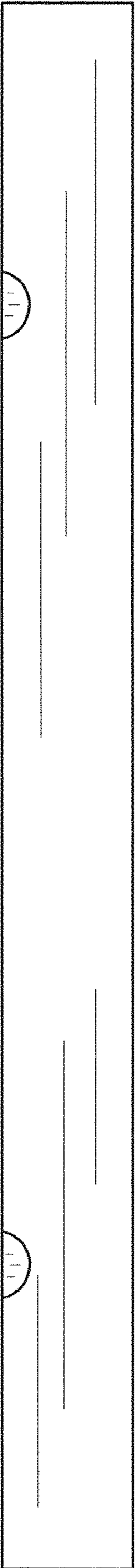


FIG. 2



FIG. 3



FIG. 4



FIG. 5

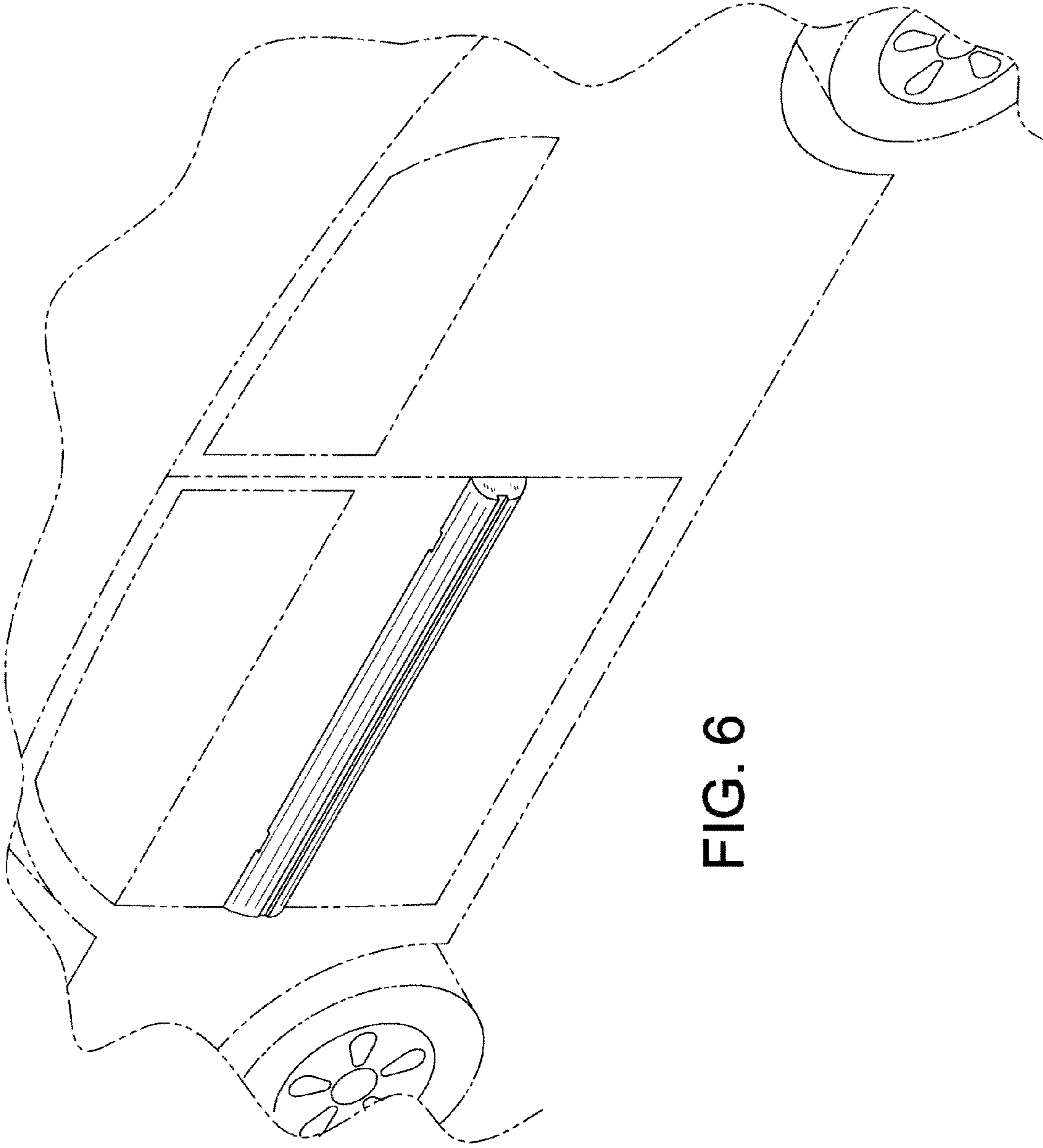


FIG. 6