



US00D653177S

(12) **United States Design Patent**
Smith

(10) **Patent No.:** **US D653,177 S**
(45) **Date of Patent:** **** Jan. 31, 2012**

(54) **FIFTH WHEEL PROTECTOR**

(75) **Inventor:** **Raymond L. Smith**, Pleasant Garden, NC (US)

(73) **Assignee:** **Jeffrey Shell**, Greensboro, NC (US)

(**) **Term:** **14 Years**

(21) **Appl. No.:** **29/379,372**

(22) **Filed:** **Nov. 18, 2010**

(51) **LOC (9) Cl.** **12-16**

(52) **U.S. Cl.** **D12/162**

(58) **Field of Classification Search** D12/159,
D12/160, 161, 162; 56/DIG. 14; 37/399;
280/406.2, 407, 407.1, 408, 411.1, 416.1,
280/416.2, 416.3, 418, 418.1, 433, 434, 435,
280/441.1, 441.2, 455.1, 456.1, 480, 493,
280/504, 508, 5; 224/42.11, 42.12, 42.14,
224/42.26, 400, 401, 412, 413, 488, 494,
224/537

See application file for complete search history.

(56) **References Cited**

U.S. PATENT DOCUMENTS

2,200,453	A *	5/1940	Lizakowski	7/138
D376,339	S *	12/1996	Arakelian	D12/162
6,155,590	A *	12/2000	Herrera et al.	280/511
D475,954	S *	6/2003	Brabant, Sr.	D12/162
D605,565	S *	12/2009	Nyenhuis et al.	D12/162

OTHER PUBLICATIONS

Six (6) pages of drawings from Pending U.S. Appl. No. 12/765,249, filed Apr. 22, 2010 of Raymond L. Smith.

* cited by examiner

Primary Examiner — T. Chase Nelson

Assistant Examiner — Michael Pratt

(57) **CLAIM**

The ornamental design for a fifth wheel protector, as shown and described.

DESCRIPTION

FIG. 1 is a top, front, right side perspective view of a fifth wheel protector showing my new design with straps shown in dashed lines included for illustrating environment and form no part of the claimed design;

FIG. 2 is a front elevational view thereof;

FIG. 3 is a rear elevational view thereof;

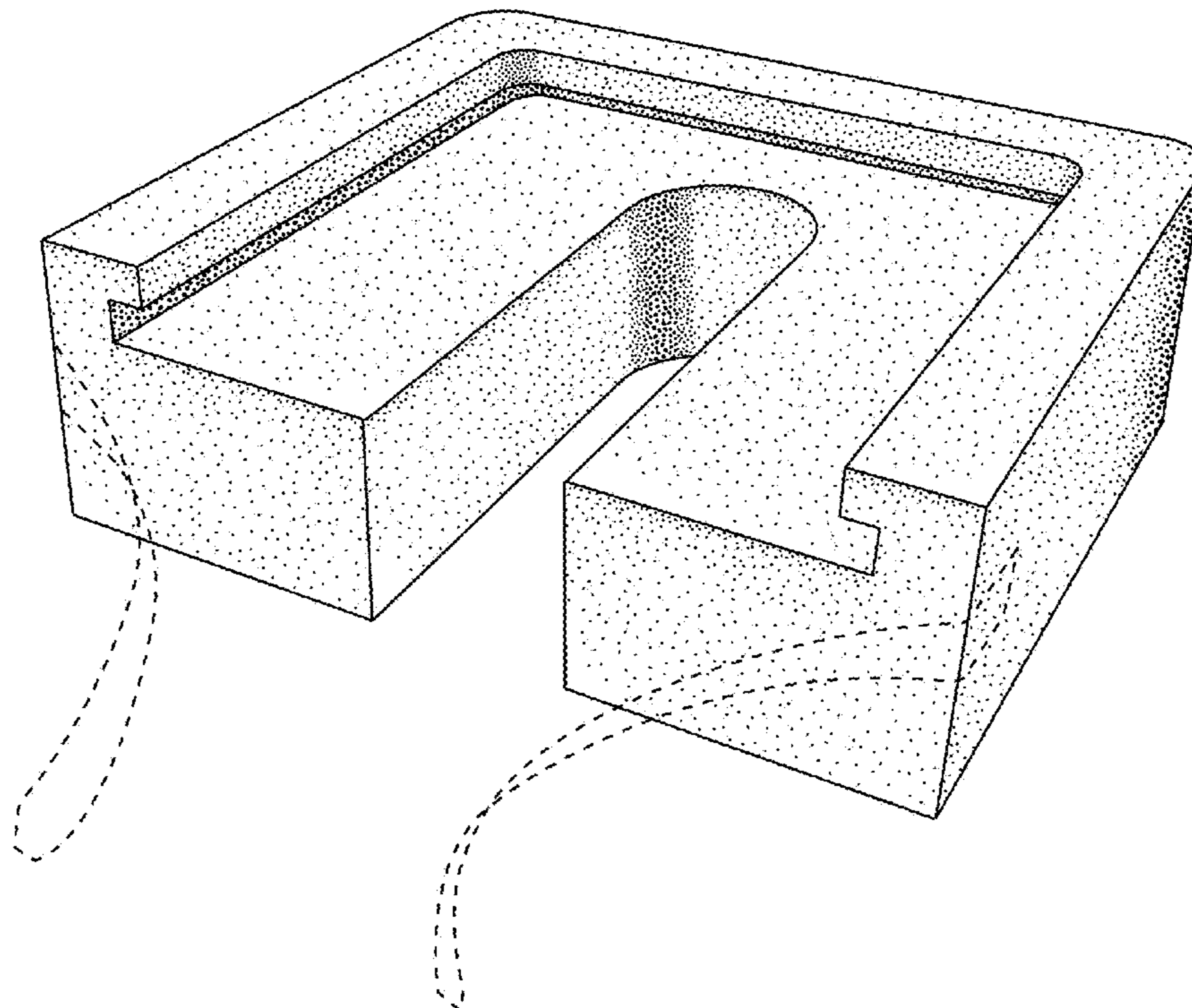
FIG. 4 is a left side elevational view thereof, the right side elevational view being a mirror image thereof;

FIG. 5 is a top plan view thereof;

FIG. 6 is a bottom plan view thereof; and,

FIG. 7 is a cross-sectional view thereof as generally seen along lines 7-7 in FIG. 5.

1 Claim, 4 Drawing Sheets



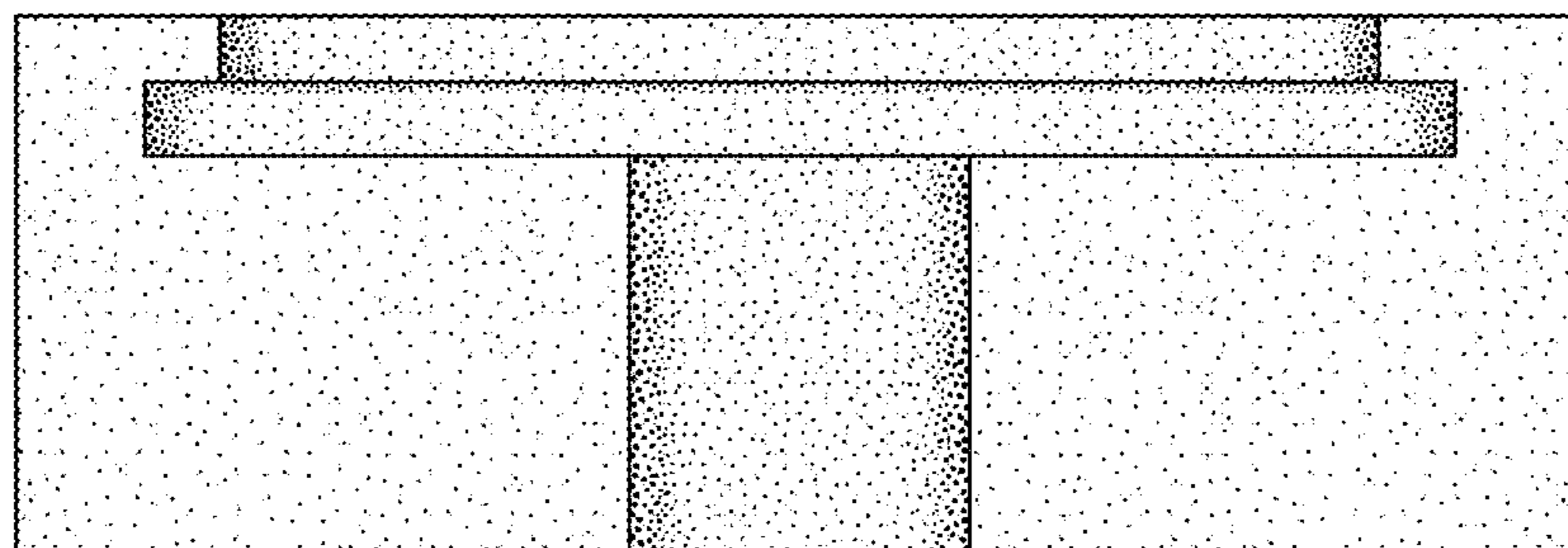
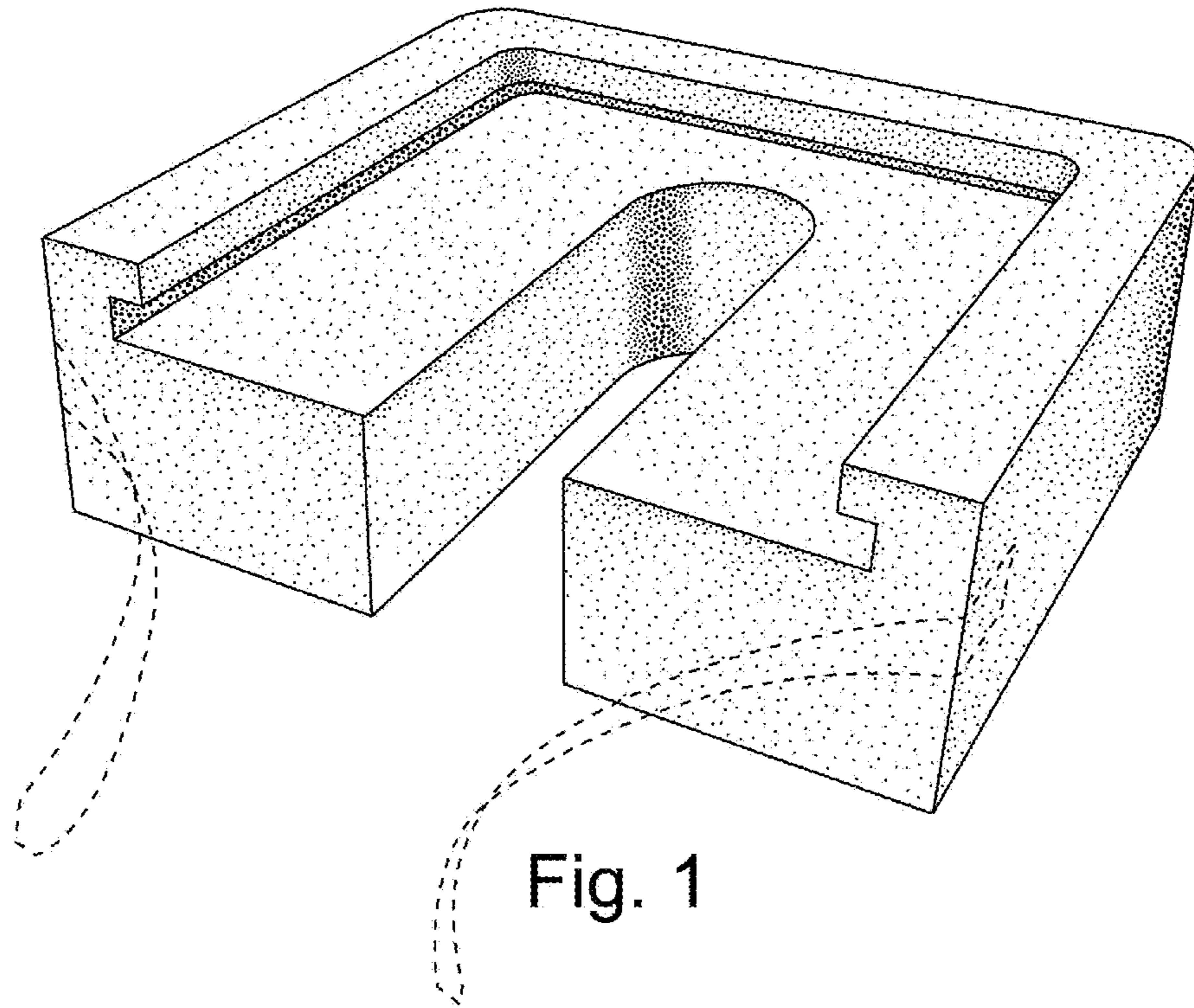


Fig. 2

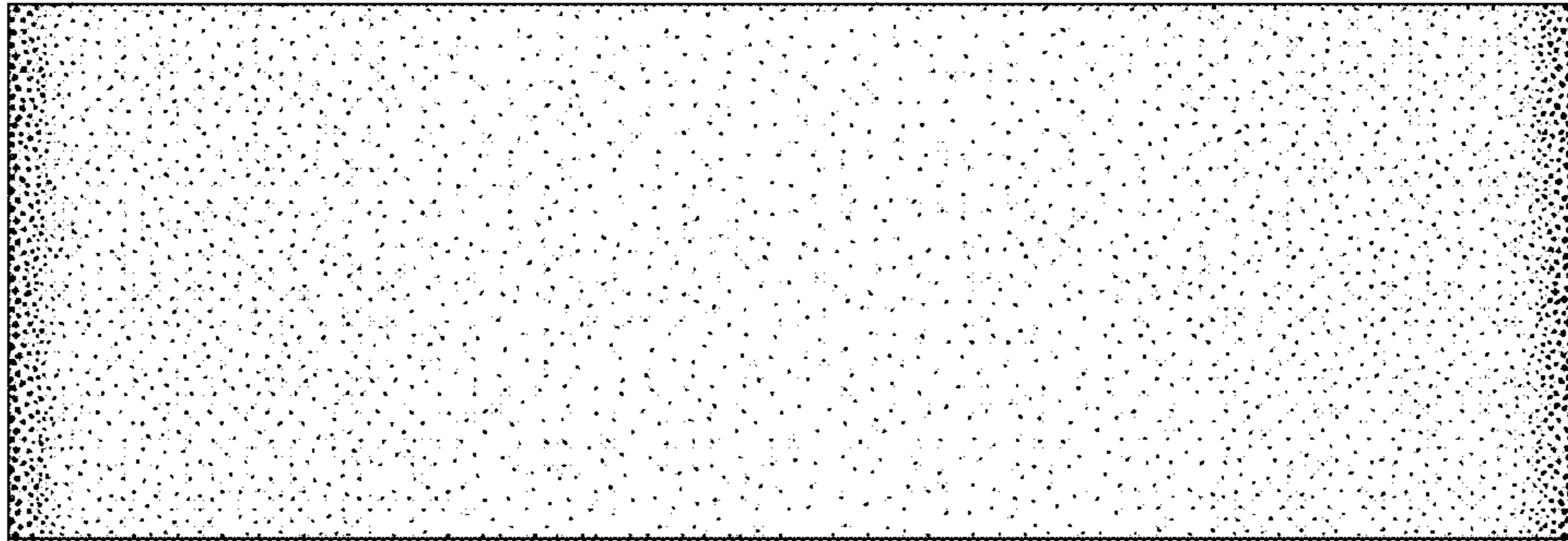


Fig. 3

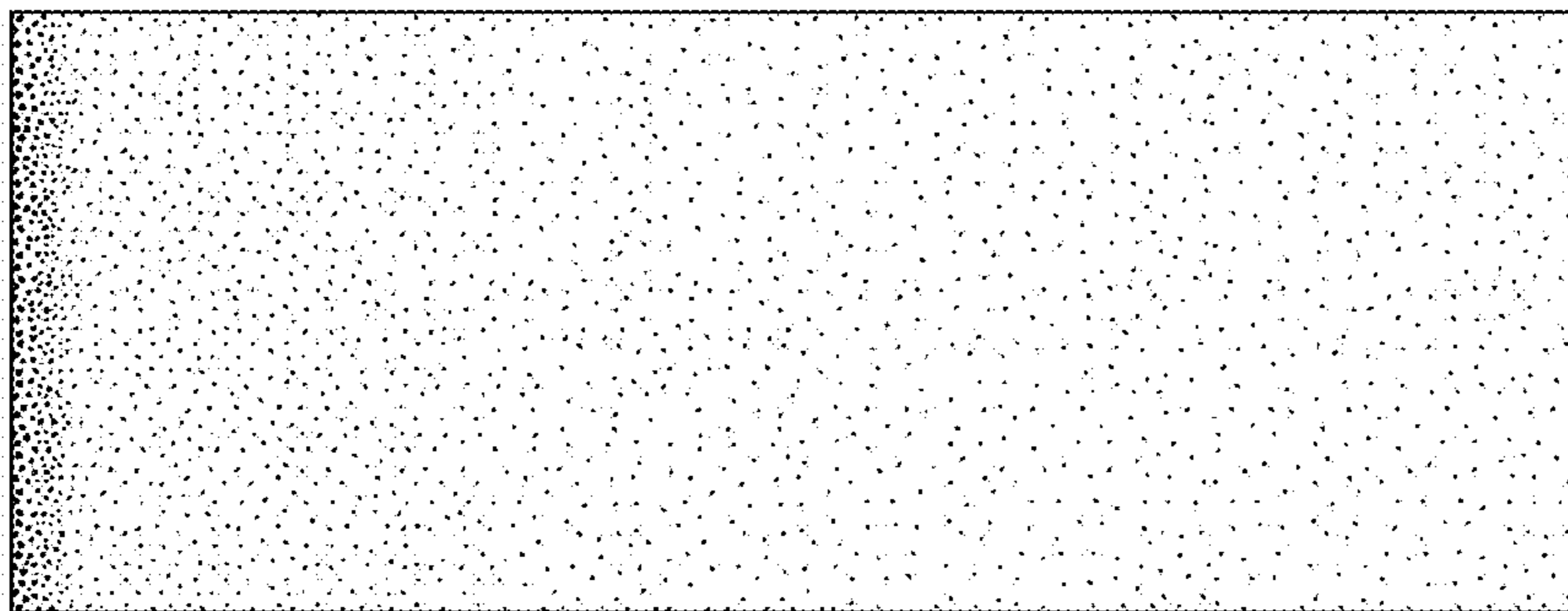


Fig. 4

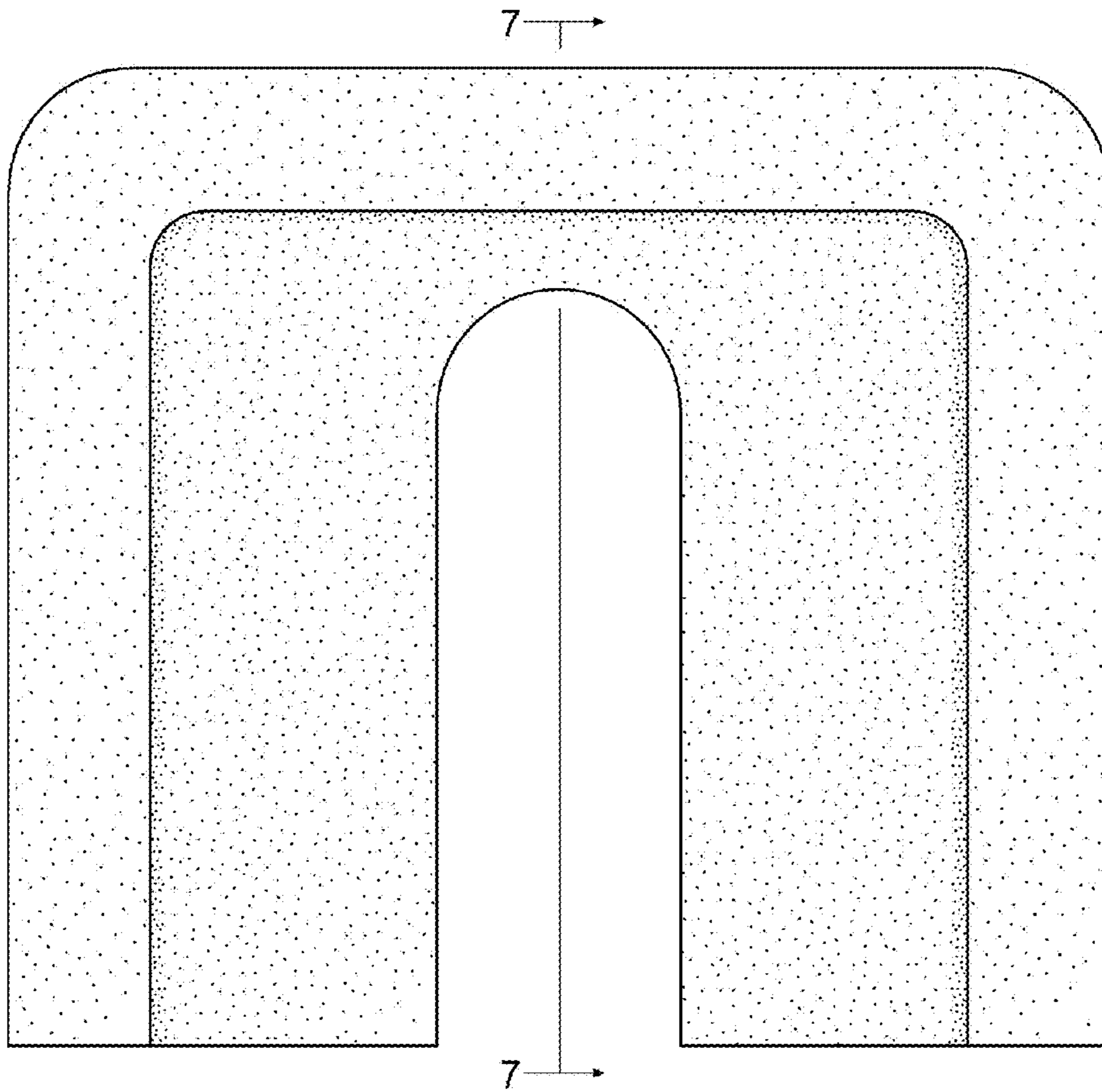


Fig. 5

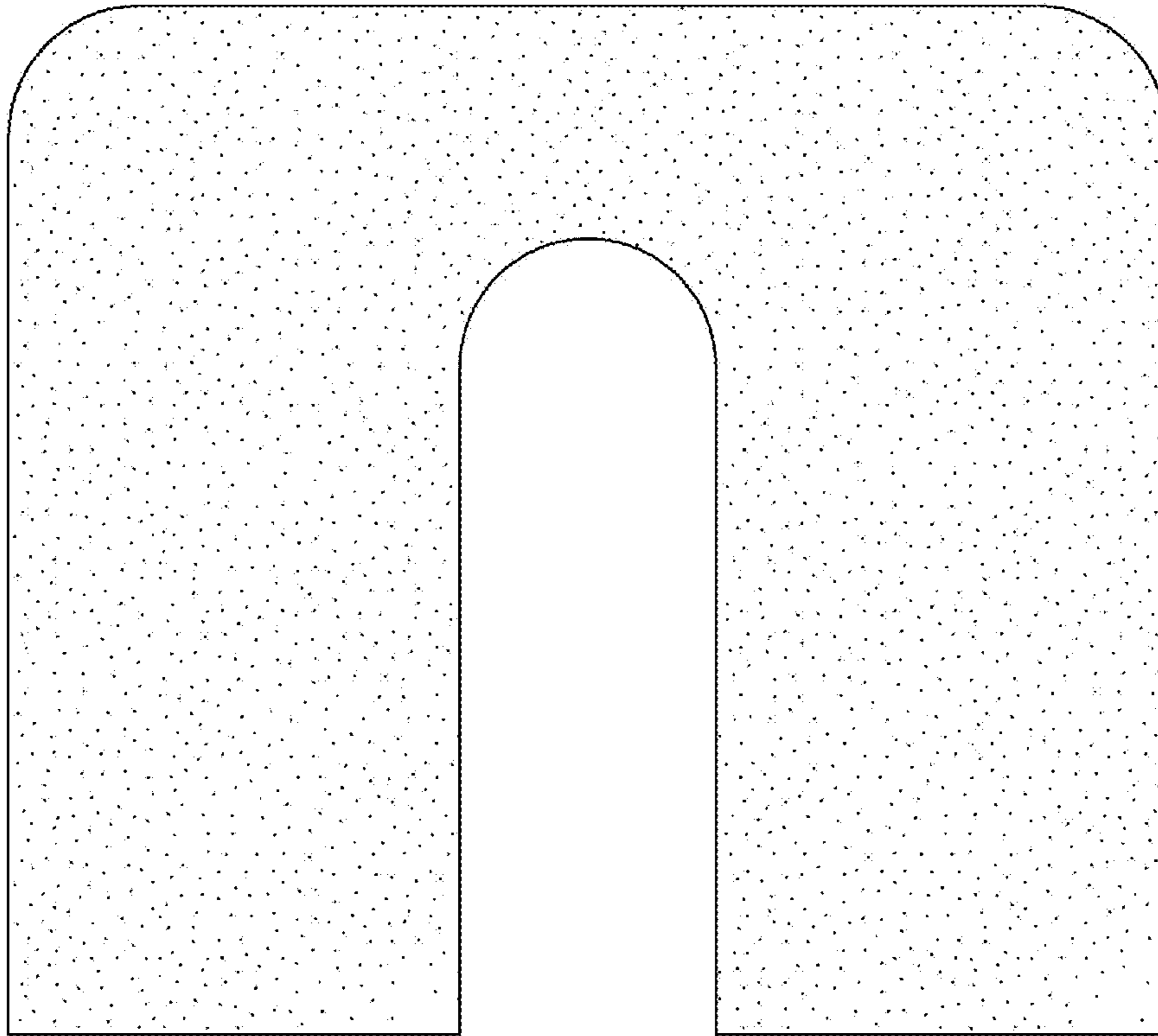


Fig. 6

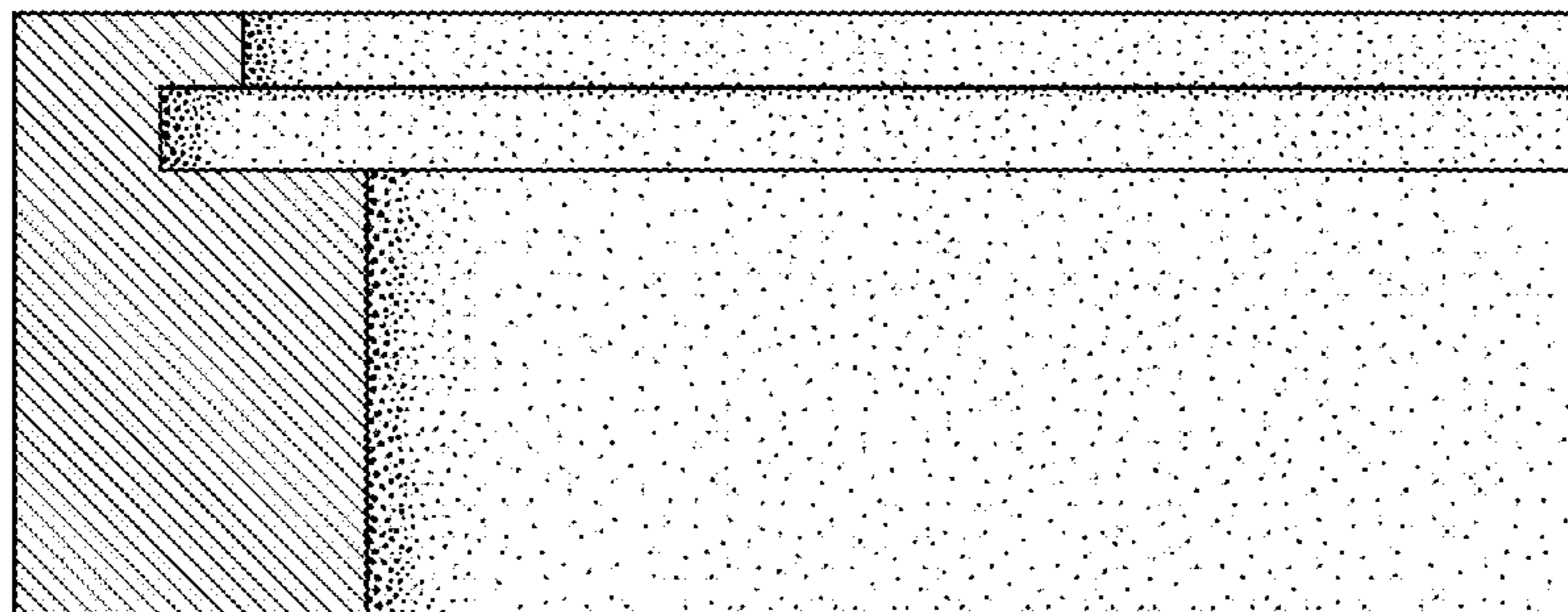


Fig. 7