



US00D653176S

(12) **United States Design Patent**
Jurkiewicz et al.

(10) **Patent No.:** **US D653,176 S**
(45) **Date of Patent:** **** Jan. 31, 2012**

(54) **WHEELCHAIR**

(75) Inventors: **Damon Jurkiewicz**, Cleveland, OH (US); **Joshua Hamilton Greiner**, Columbus, OH (US); **Daniel James Yee**, Parma, OH (US)

6,669,299 B2 12/2003 Carlson et al.
D486,762 S 2/2004 He
D491,115 S * 6/2004 Taylor D12/131
D491,494 S 6/2004 Lippert
D494,110 S * 8/2004 Cheng D12/131
(Continued)

(73) Assignee: **Invacare Corp.**, Elyria, OH (US)

FOREIGN PATENT DOCUMENTS
FR 2845893 4/2004
(Continued)

(**) Term: **14 Years**

(21) Appl. No.: **29/350,345**

OTHER PUBLICATIONS

(22) Filed: **Nov. 15, 2009**

Invacare Corporation, User Manual, FDX Power Wheelchair Base FDX, FDX-CG, FDX-MCG, 96 pgs., Rev A—09/10, copyright 2010.

(51) **LOC (9) Cl.** **12-12**

(52) **U.S. Cl.** **D12/131; D12/133**

(58) **Field of Classification Search** D12/128–133;
280/62, 647–650, 29, 200, 47.38, 250.1,
280/259, 642, 658; 297/DIG. 4; 296/65.03,
296/65.04; 224/209; 414/921; 135/65–67,
135/74; D6/360, 368

(Continued)

See application file for complete search history.

Primary Examiner — Ian Simmons
Assistant Examiner — Charles D Hanson
(74) *Attorney, Agent, or Firm* — Calfee, Halter & Griswold LLP

(56) **References Cited**

(57) **CLAIM**
The ornamental design for a wheelchair, as shown and described.

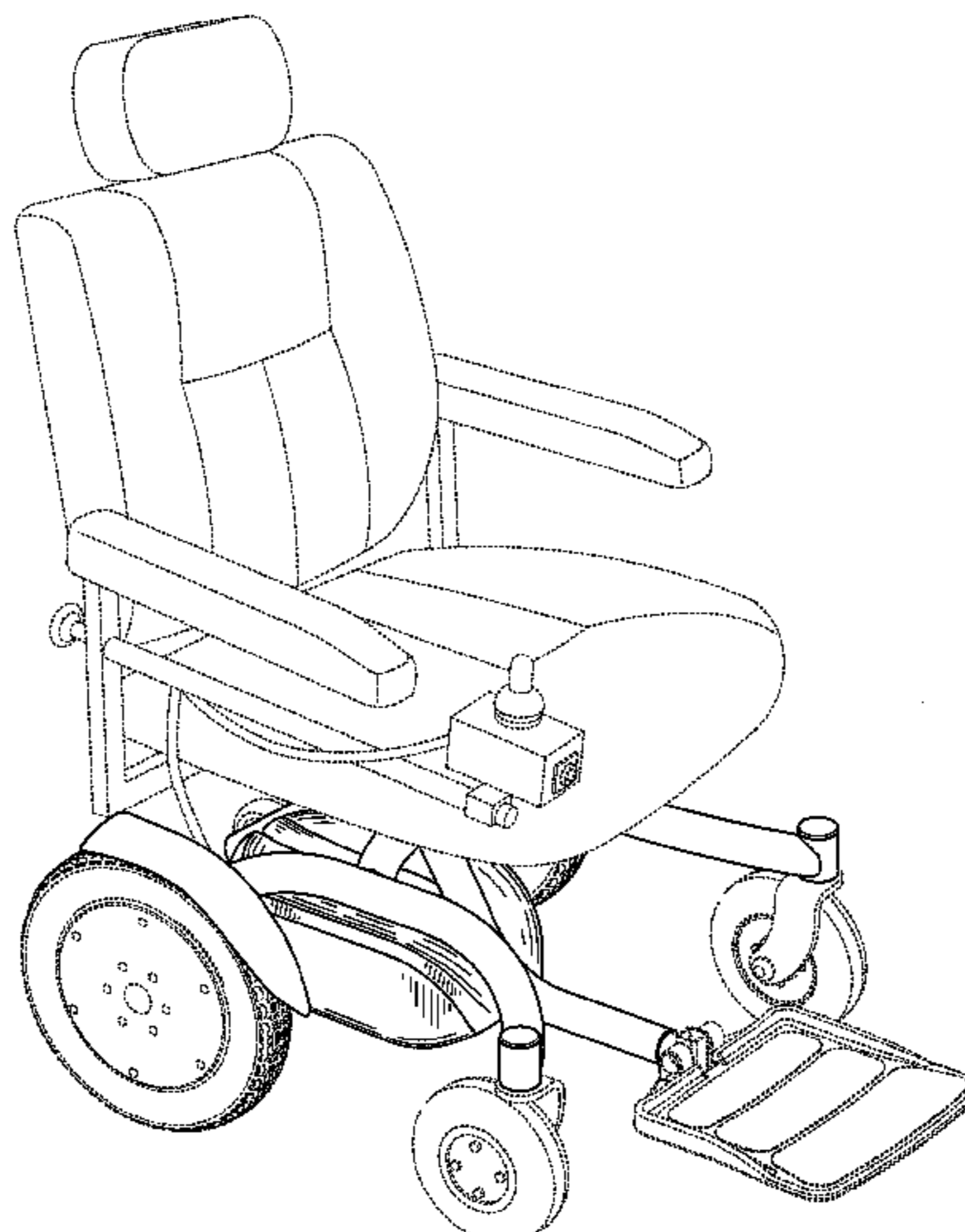
U.S. PATENT DOCUMENTS

DESCRIPTION

- D231,801 S 6/1974 Pivacek
- 3,865,427 A * 2/1975 Delany 296/68
- 4,025,112 A 5/1977 Hale
- 4,961,610 A 10/1990 Reeder et al.
- 5,018,788 A 5/1991 Cedergreen
- 5,033,792 A 7/1991 Kanazawa
- D333,737 S 3/1993 Adams
- 5,275,466 A 1/1994 Rentchler, Jr.
- D365,787 S 1/1996 Peterson et al.
- D380,991 S 7/1997 Deming
- 5,820,221 A 10/1998 Greaves et al.
- D414,453 S 9/1999 Tsai
- 6,003,891 A 12/1999 Broadhead
- 6,015,190 A 1/2000 Wend
- 6,352,273 B1 3/2002 Dickie
- 6,386,638 B1 5/2002 Strauch
- D462,639 S * 9/2002 Lin D12/131
- 6,459,962 B2 * 10/2002 Ulrich et al. 701/1
- D468,669 S * 1/2003 Hopely, Jr. D12/131
- D477,261 S 7/2003 Lin

FIG. 1 is a top, left perspective view of a wheelchair showing our design;
FIG. 2 is a rear perspective view thereof;
FIG. 3 is a front view thereof;
FIG. 4 is a rear view thereof;
FIG. 5 is a right side view thereof, the left side being a mirror image;
FIG. 6 is a top plan view thereof, the seat removed for ease of illustration; and,
FIG. 7 is a bottom plan view thereof.
The broken line showing of the seat and wheels is included for the purposes of illustrating environment and forms no part of the claimed design.

1 Claim, 7 Drawing Sheets



US D653,176 S

Page 2

U.S. PATENT DOCUMENTS

6,938,923 B2 9/2005 Mulhern et al.
D521,909 S 5/2006 Gillett et al.
7,040,429 B2 5/2006 Molnar
D523,788 S * 6/2006 Jones et al. D12/131
D524,196 S 7/2006 You
D529,844 S 10/2006 Chen et al.
D536,187 S 2/2007 Goebert et al.
D536,887 S 2/2007 Goebert et al.
D540,221 S * 4/2007 Cartellone et al. D12/133
7,204,556 B2 4/2007 Schwerdtner et al.
7,229,132 B2 6/2007 Meeker et al.
D559,741 S 1/2008 Lasher, III
D569,769 S * 5/2008 Chiu et al. D12/131
7,370,876 B2 5/2008 Hsu et al.
7,413,045 B2 8/2008 Tien
7,472,959 B1 1/2009 Ratza et al.
D585,794 S * 2/2009 Lin D12/131
D589,411 S 3/2009 Brown et al.
D590,304 S 4/2009 Kruse
D608,550 S 1/2010 Sollberger et al.
D614,541 S 4/2010 Storm
7,694,991 B2 4/2010 Mills et al.
D615,461 S 5/2010 Storm
D632,229 S 2/2011 Kruse
2001/0013437 A1 8/2001 Husted et al.
2003/0056329 A1 3/2003 Coman et al.
2004/0239169 A1 12/2004 De Nichilo
2006/0082098 A1 4/2006 Harris

2007/0107963 A1 5/2007 Chiu
2007/0195081 A1 8/2007 Fischer
2008/0087481 A1 4/2008 Gry

FOREIGN PATENT DOCUMENTS

WO 97/46516 12/1997

OTHER PUBLICATIONS

Invacare Corporation, Operator and Maintenance Manual, Pronto M5I and M6I with SureStep, 80 pgs., Rev J—10/08, copyright 2008.
Invacare Corporation, product Catalog, copyright 2004, printed Feb. 18, 2011, 14 pgs.
Invacare Corporation, At'm (Take Along Chair), 2 page brochure, copyright 2009.
Invacare Corporation, FDX Front-Wheel Drive Power Wheelchair, 4 page brochure, copyright 2010.
Invacare Corporation, Nutron R51, 2 page brochure, copyright 2006.
Invacare Corporation, P9000 XDT, 2 page brochure, copyright 2007.
Invacare Corporation, Pronto M51, 4 page brochure, copyright 2010.
Invacare Corporation, Pronto M51 with Formula CG Seating, 2 page web printout, printed Feb. 18, 2011.
Invacare Corporation, The New TDX Family, 26 page brochure, copyright 2008.
Invacare Corporation, Storm Series, 16 page brochure, copyright 2010.
International Search Report and Written Opinion from PCT/US11/28626 dated May 20, 2011.

* cited by examiner

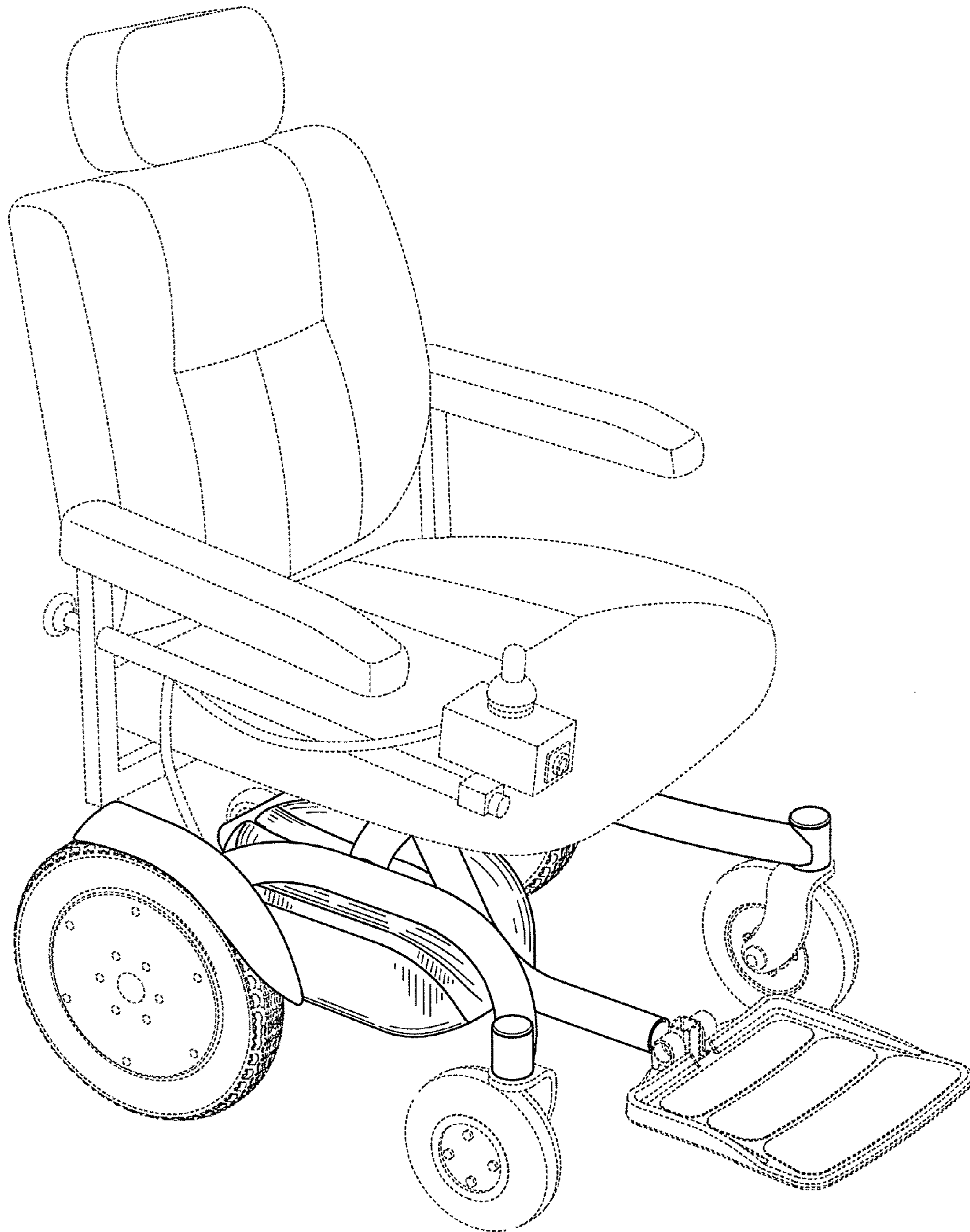


Fig. 1

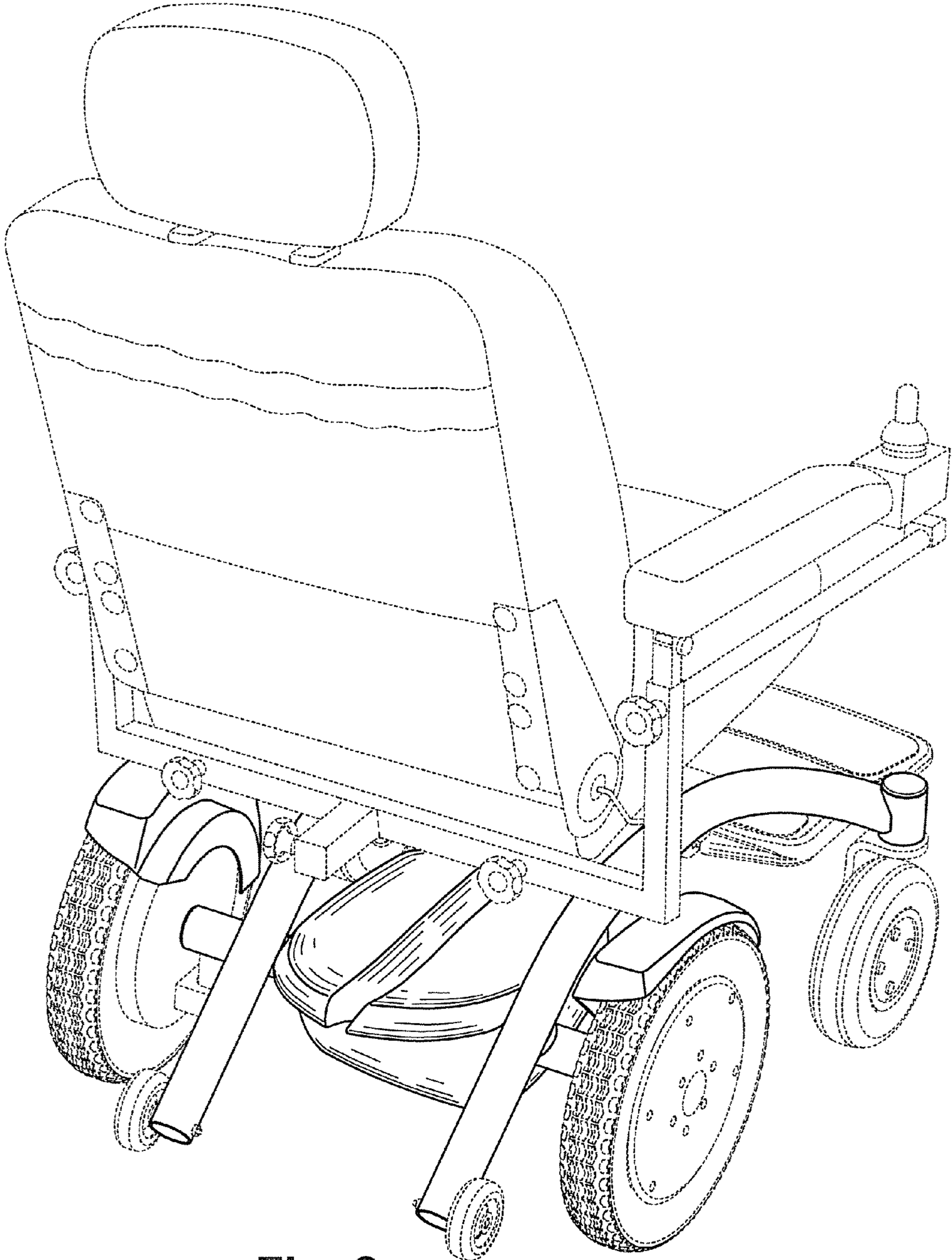


Fig. 2

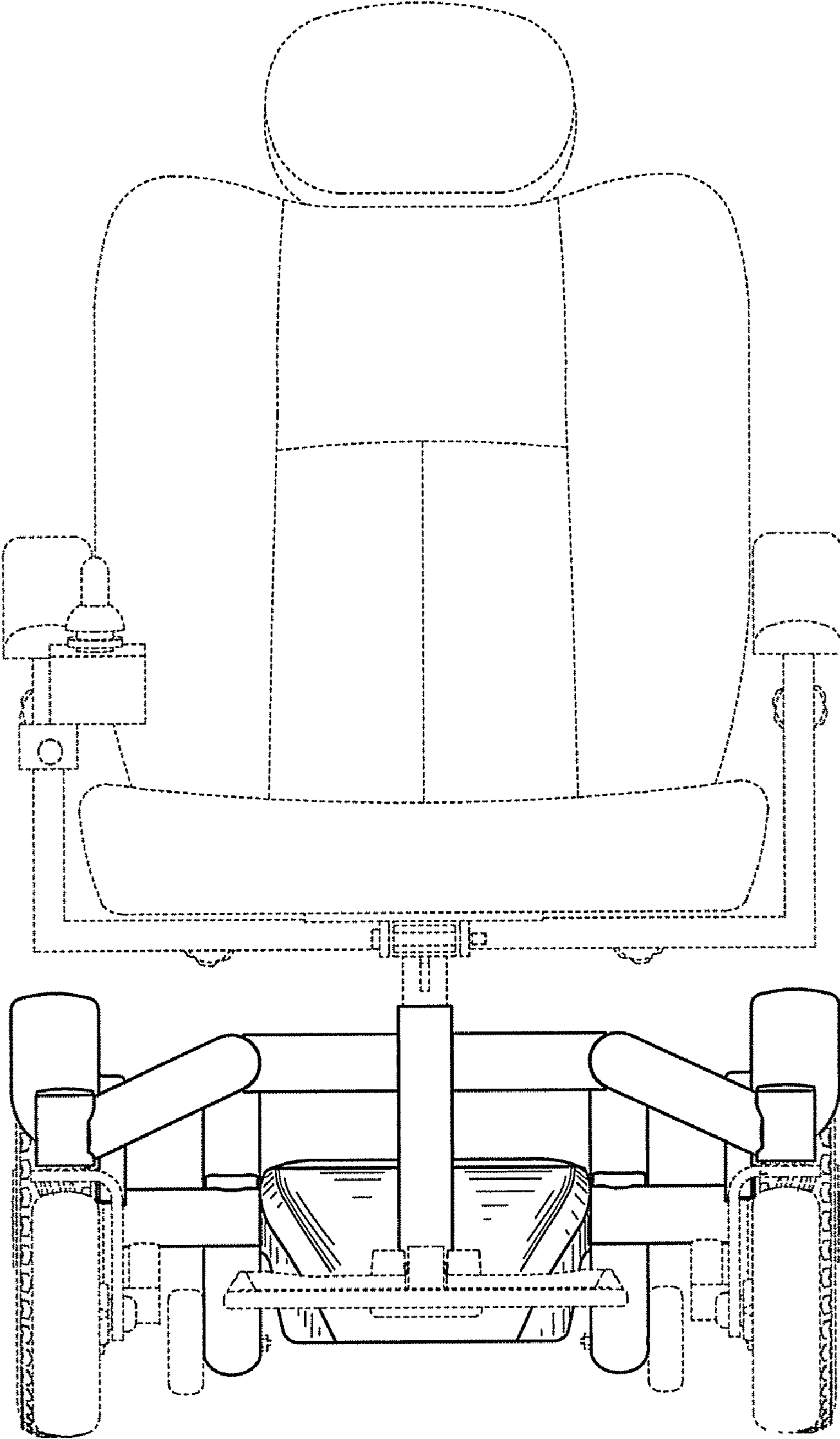


Fig. 3

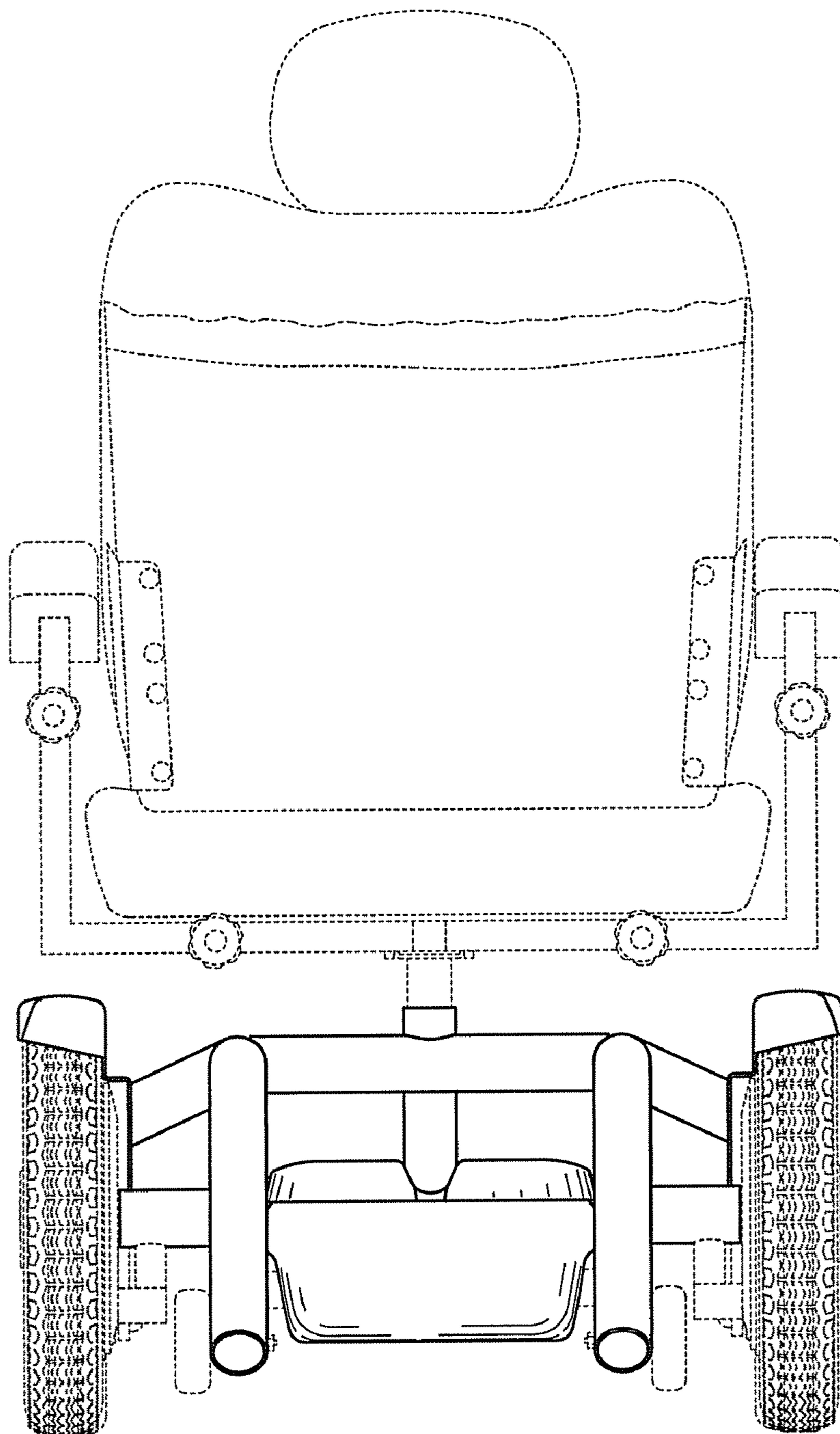


Fig. 4

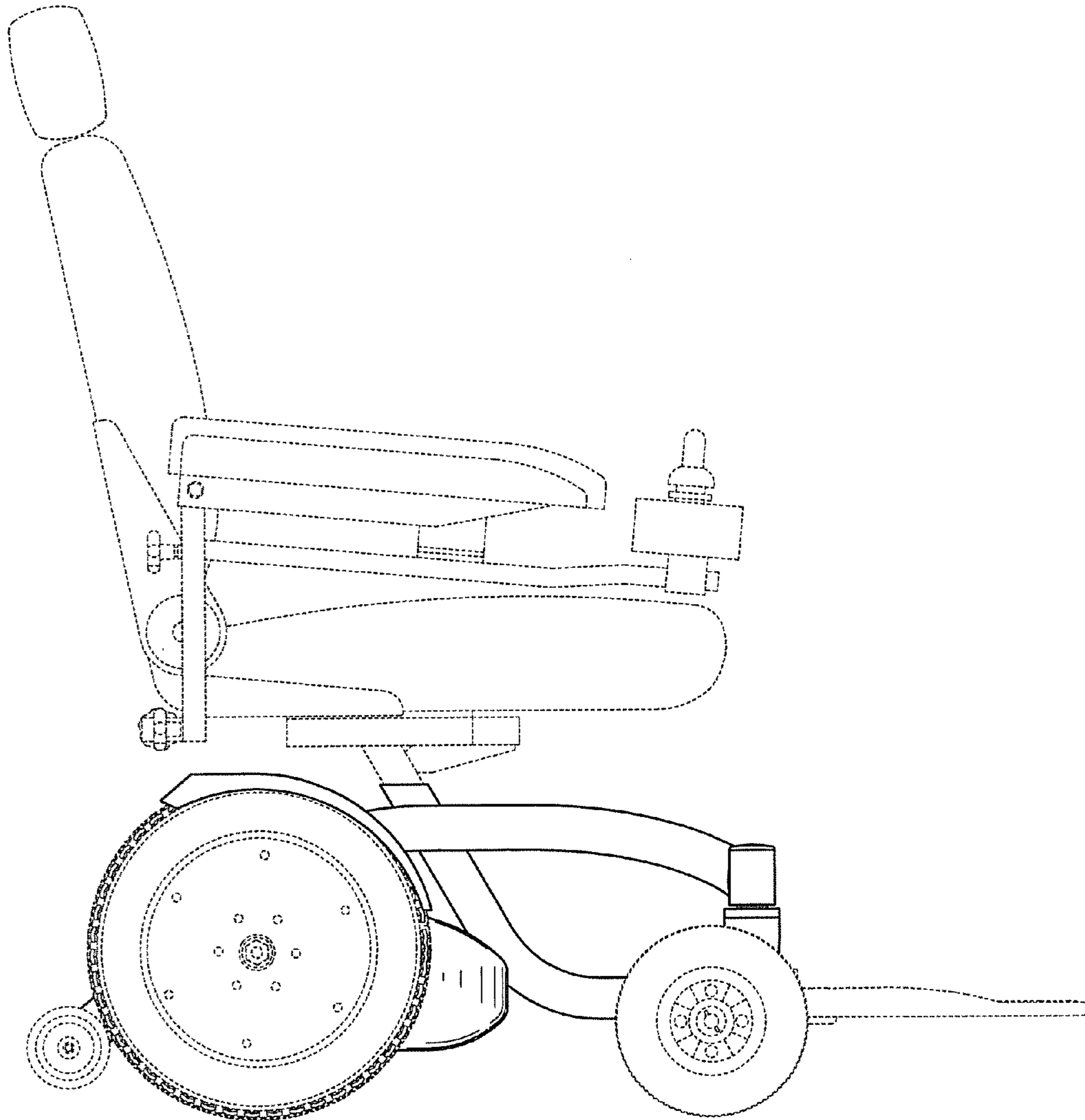


Fig. 5

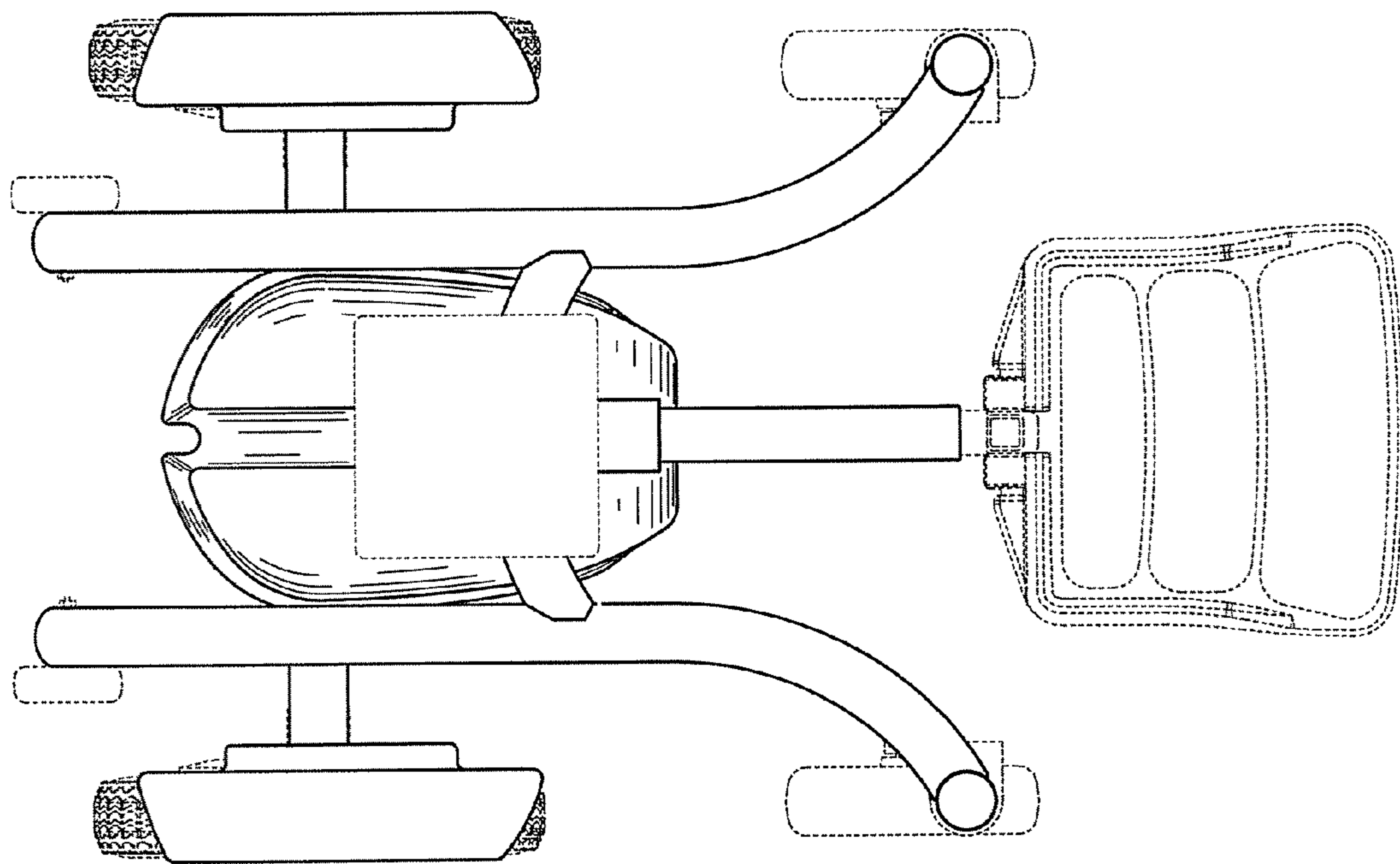


Fig. 6

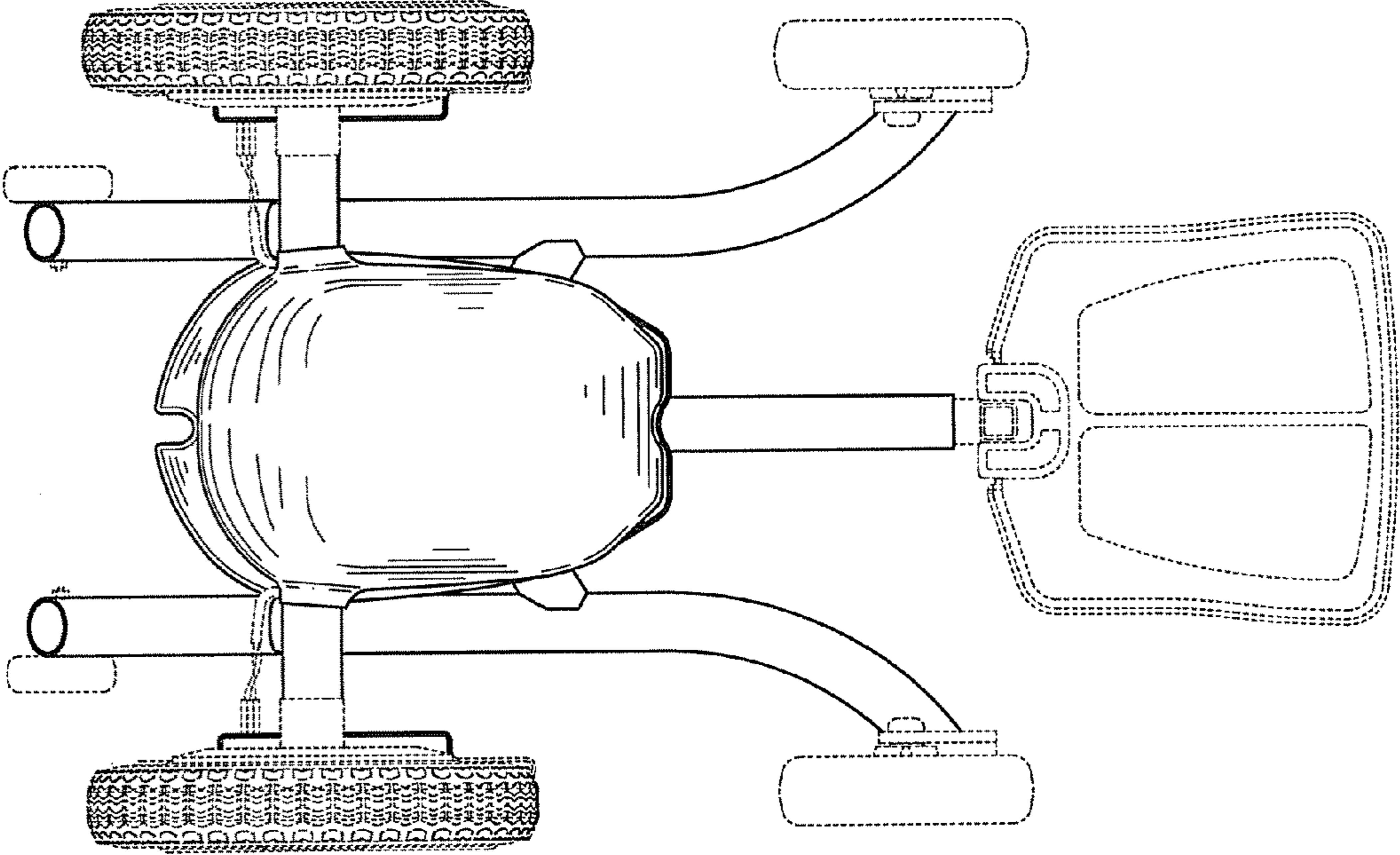


Fig. 7