



US00D653175S

(12) **United States Design Patent**  
**Parvey**

(10) **Patent No.:** **US D653,175 S**  
(45) **Date of Patent:** **\*\* Jan. 31, 2012**

(54) **MOTORCYCLE PASSENGER PEG ARM**

(75) Inventor: **Daniel Parvey**, New Richmond, WI (US)  
(73) Assignee: **Kuryakyn Holdings, LLC**, Somerset, WI (US)

(\*\*) Term: **14 Years**

(21) Appl. No.: **29/372,985**

(22) Filed: **Feb. 14, 2011**

(51) **LOC (9) Cl.** ..... **12-11**

(52) **U.S. Cl.** ..... **D12/114**

(58) **Field of Classification Search** ..... D12/114,  
D12/110, 122, 125, 223; 74/562, 562.5,  
74/564, 594.3, 594.4, 594.7, 473.16, 473.17,  
74/478.5, 560, 478; 296/75; 180/219, 220,  
180/90.6; 280/288.4, 291  
See application file for complete search history.

(56) **References Cited**

**U.S. PATENT DOCUMENTS**

5,456,138	A *	10/1995	Nutile et al.	.....	74/594.6
5,779,254	A *	7/1998	James et al.	.....	280/291
6,962,095	B2 *	11/2005	Winfield	.....	74/560
D579,383	S *	10/2008	Owyang	.....	D12/114
7,637,523	B2 *	12/2009	Fouhy	.....	280/291
7,793,961	B2 *	9/2010	Day	.....	280/291

**OTHER PUBLICATIONS**

Debrix Cycles™. Passenger Pegs, Footpegs, and related accessories and hardware on p. 1 of 2. © 2010.. [Retrieved on Oct. 31, 2011]. Retrieved from the Internet <URL: <http://www.debrix.com/category-s/263.htm>>.\*

\* cited by examiner

*Primary Examiner* — Susan M Lee

*Assistant Examiner* — Linda G. Brooks

(74) *Attorney, Agent, or Firm* — Dicke, Billig & Czaja, PLLC

(57) **CLAIM**

The ornamental design for a motorcycle passenger peg arm, as shown and described.

**DESCRIPTION**

FIG. 1 is a perspective view of the motorcycle passenger peg arm of the present invention.

FIG. 2 is a front side view thereof.

FIG. 3 is a rear side view thereof.

FIG. 4 is a top side view thereof.

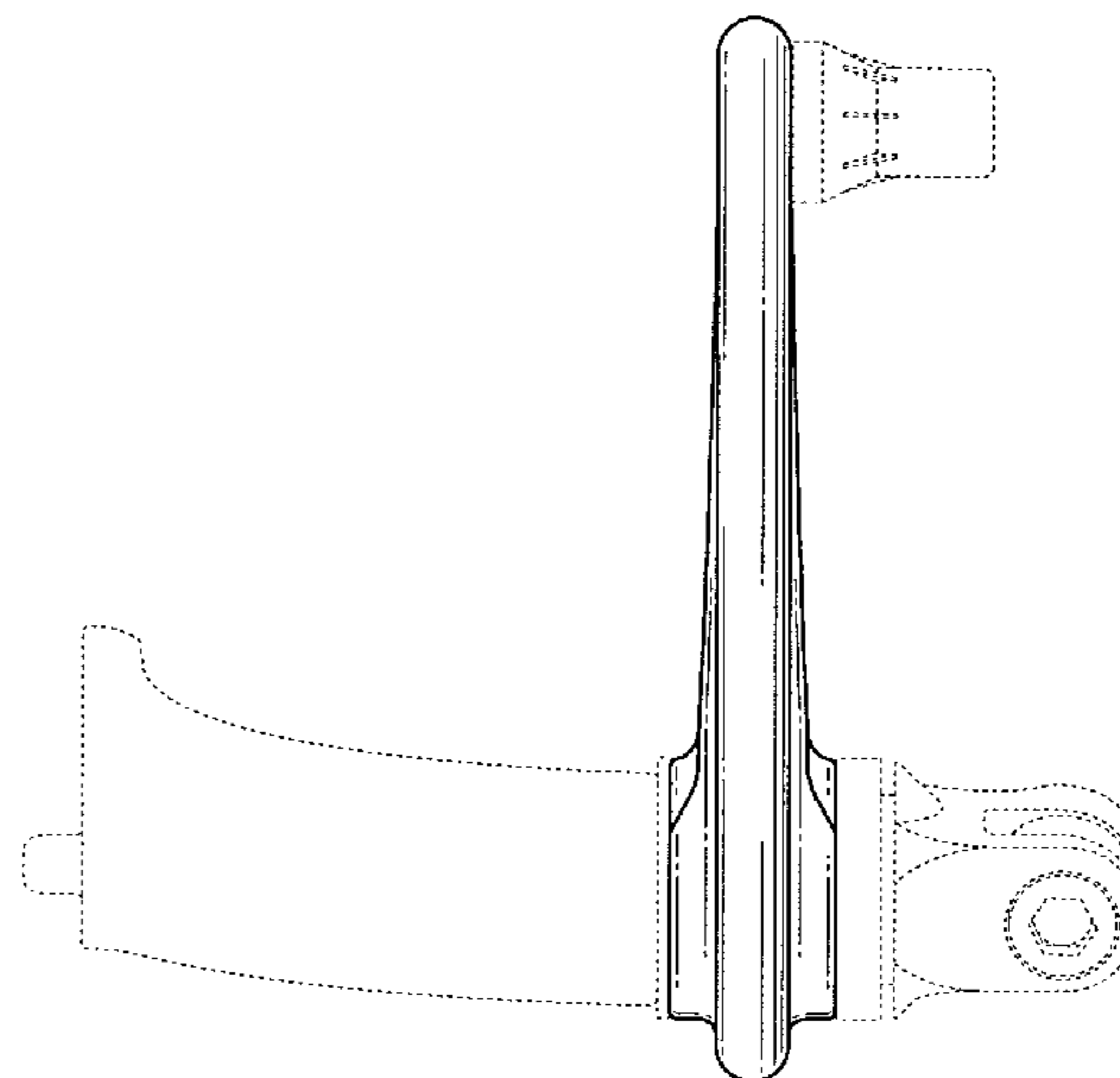
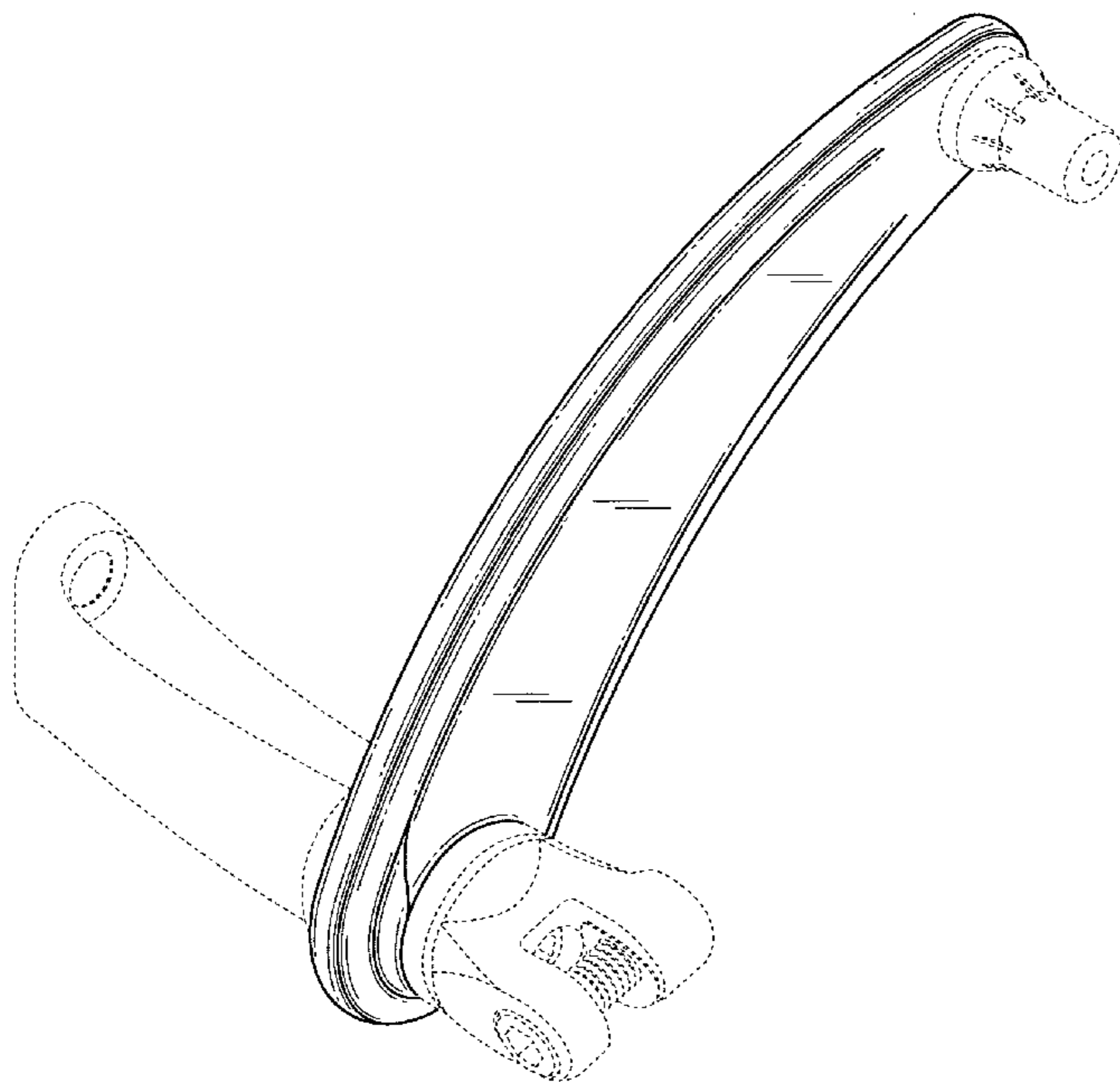
FIG. 5 is a bottom side view thereof.

FIG. 6 is a first end view thereof; and,

FIG. 7 is a second end view thereof, opposite the first end view.

The mounting structures for the motorcycle passenger peg arm shown in broken lines form no part of the claimed design.

**1 Claim, 7 Drawing Sheets**



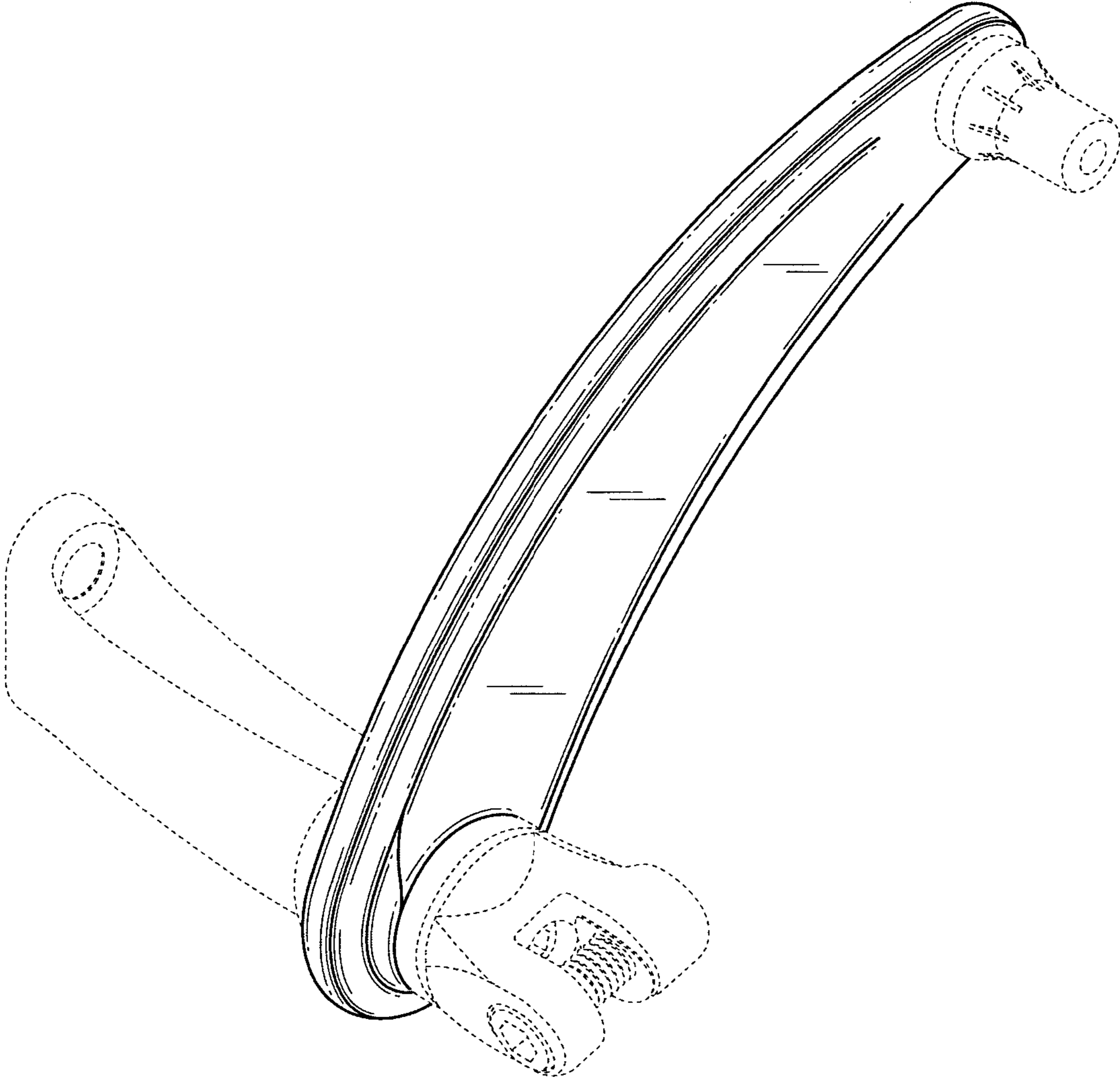
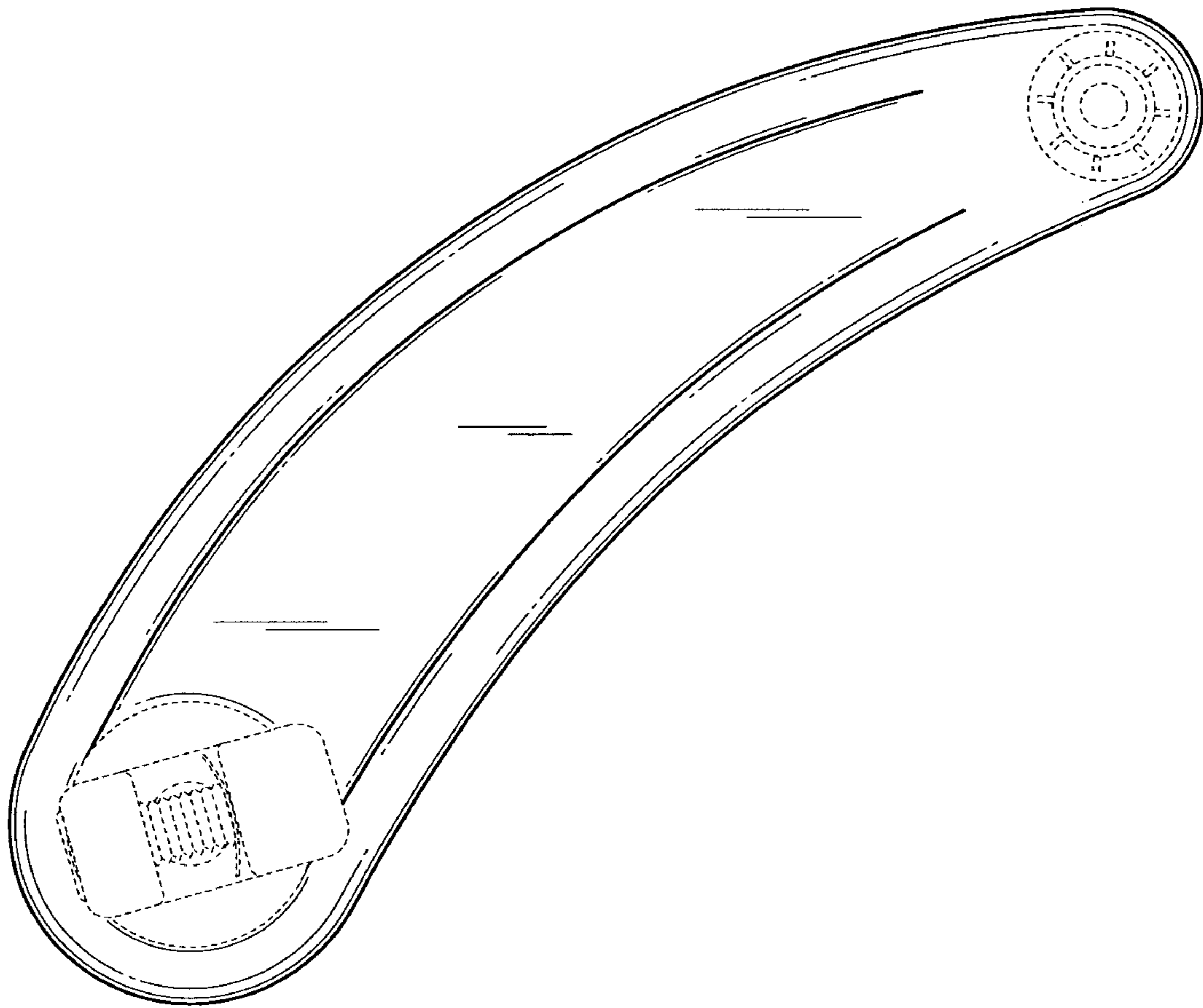
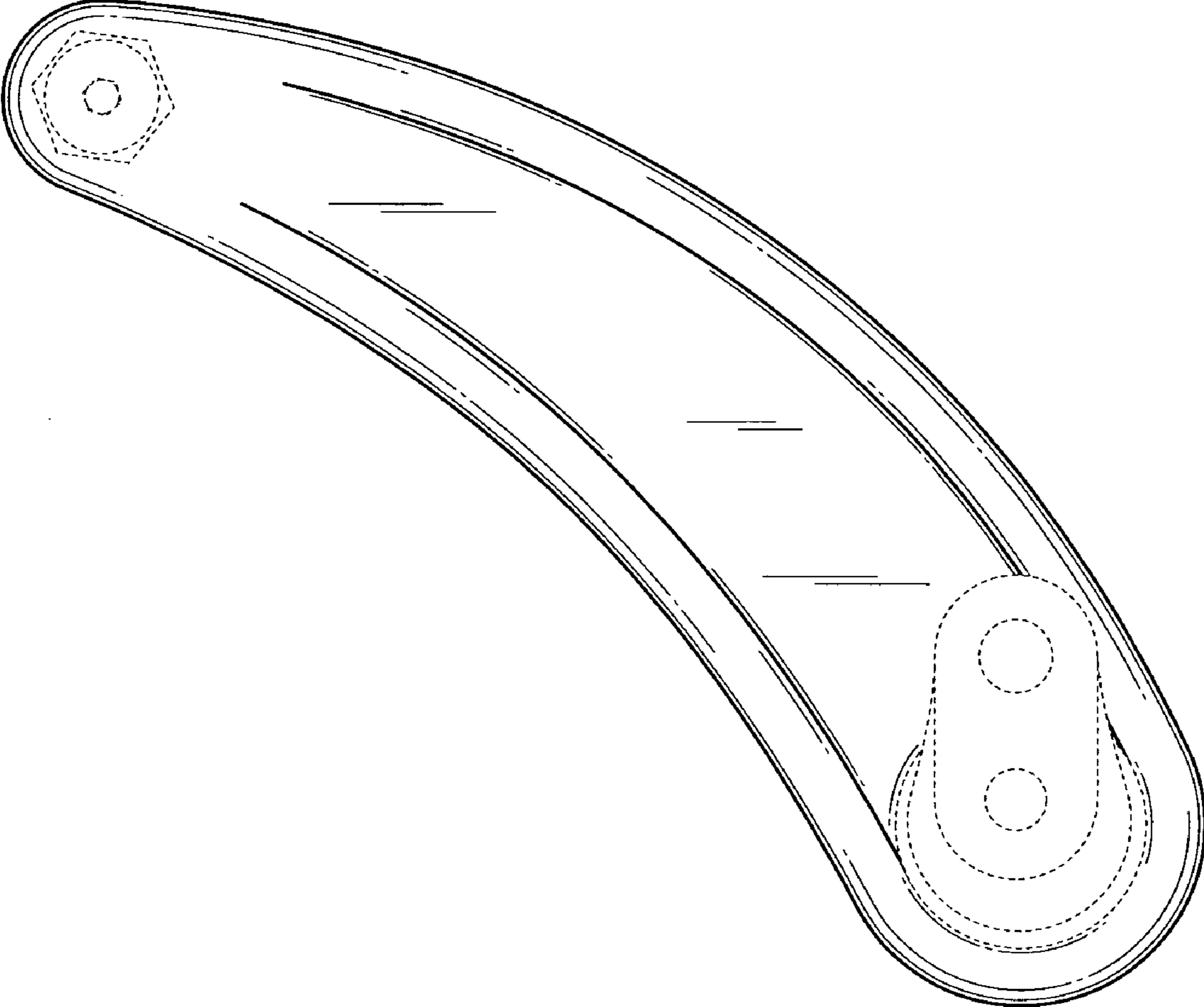


Fig. 1



**Fig. 2**



**Fig. 3**

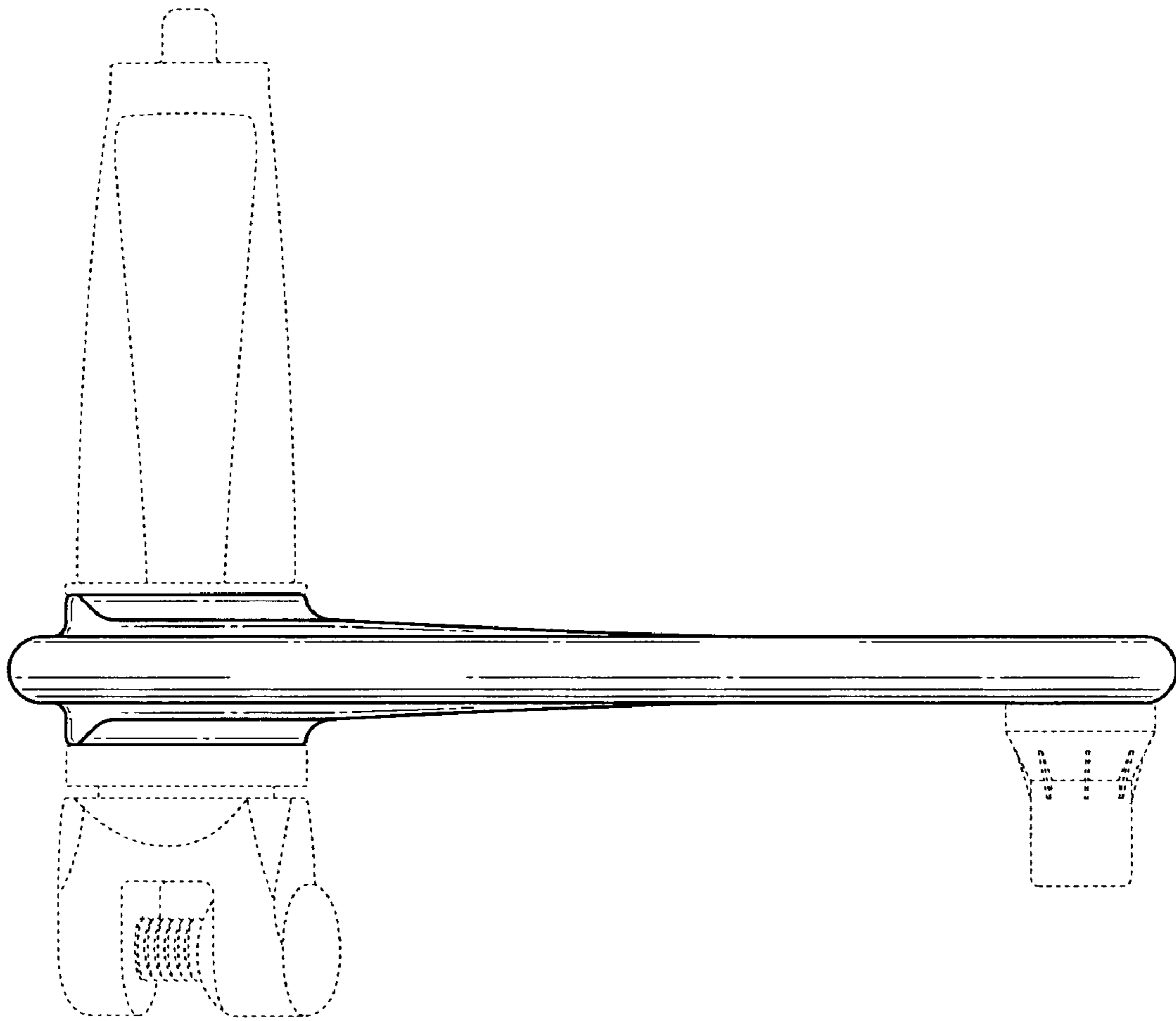


Fig. 4

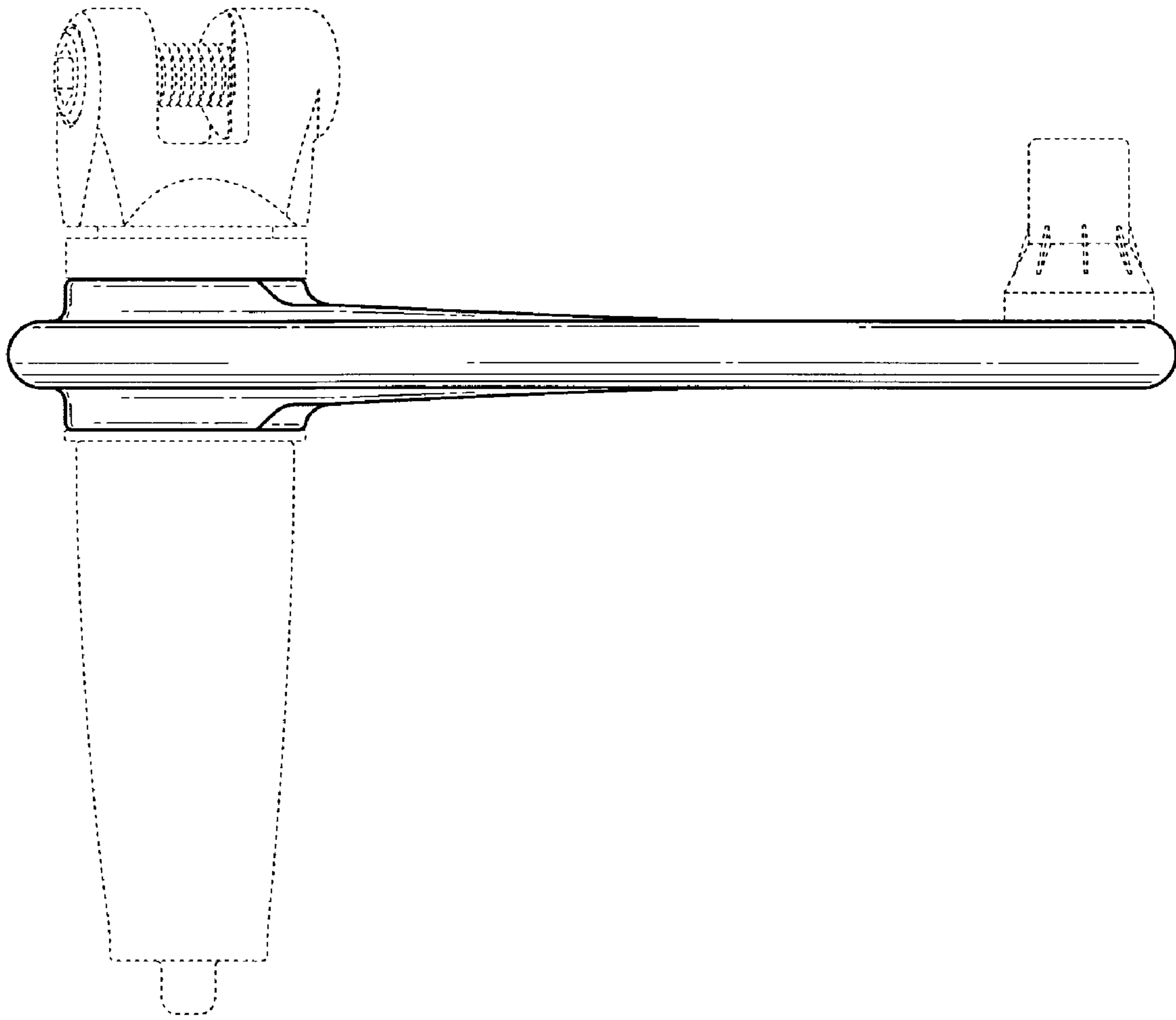


Fig. 5

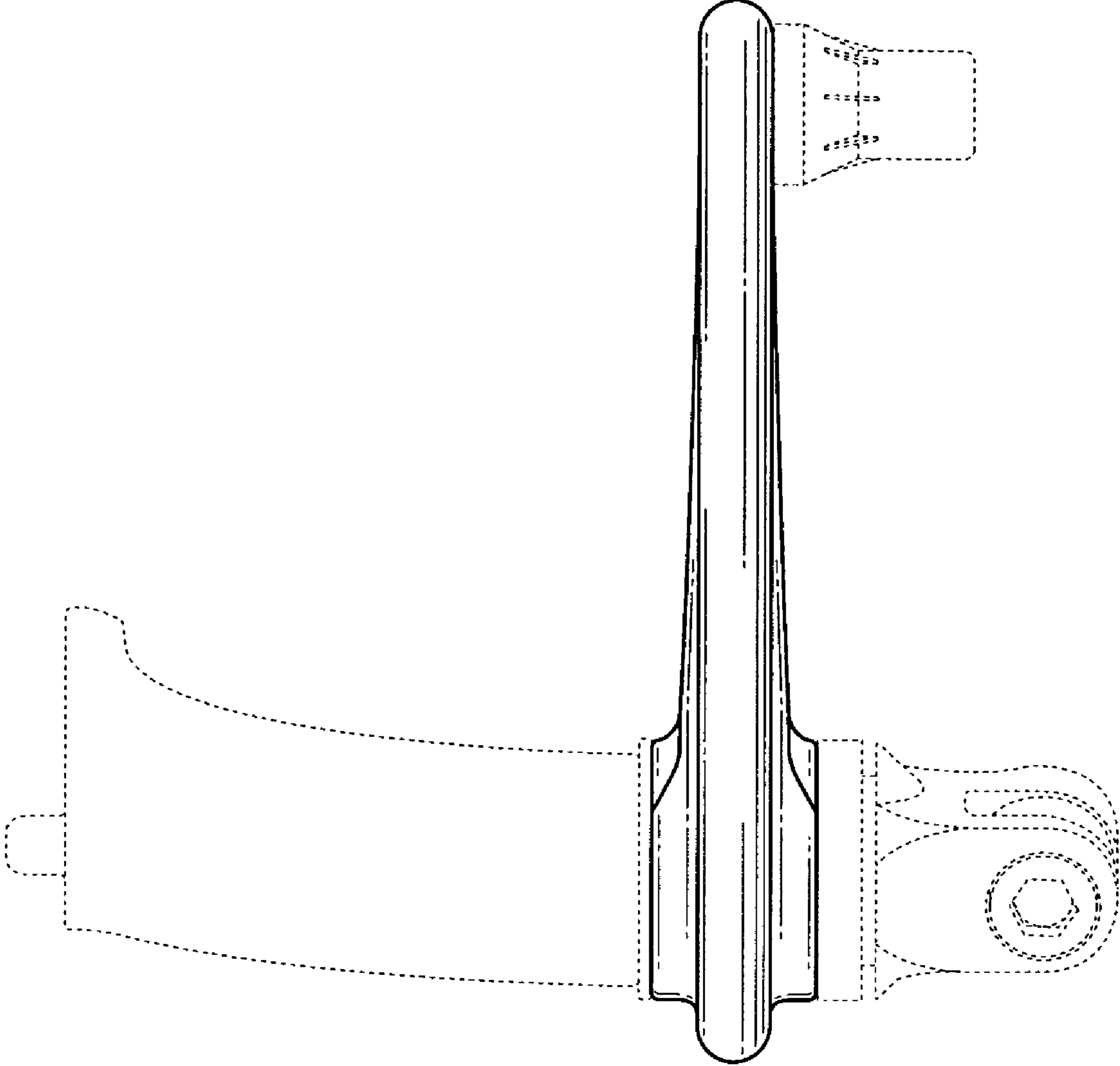
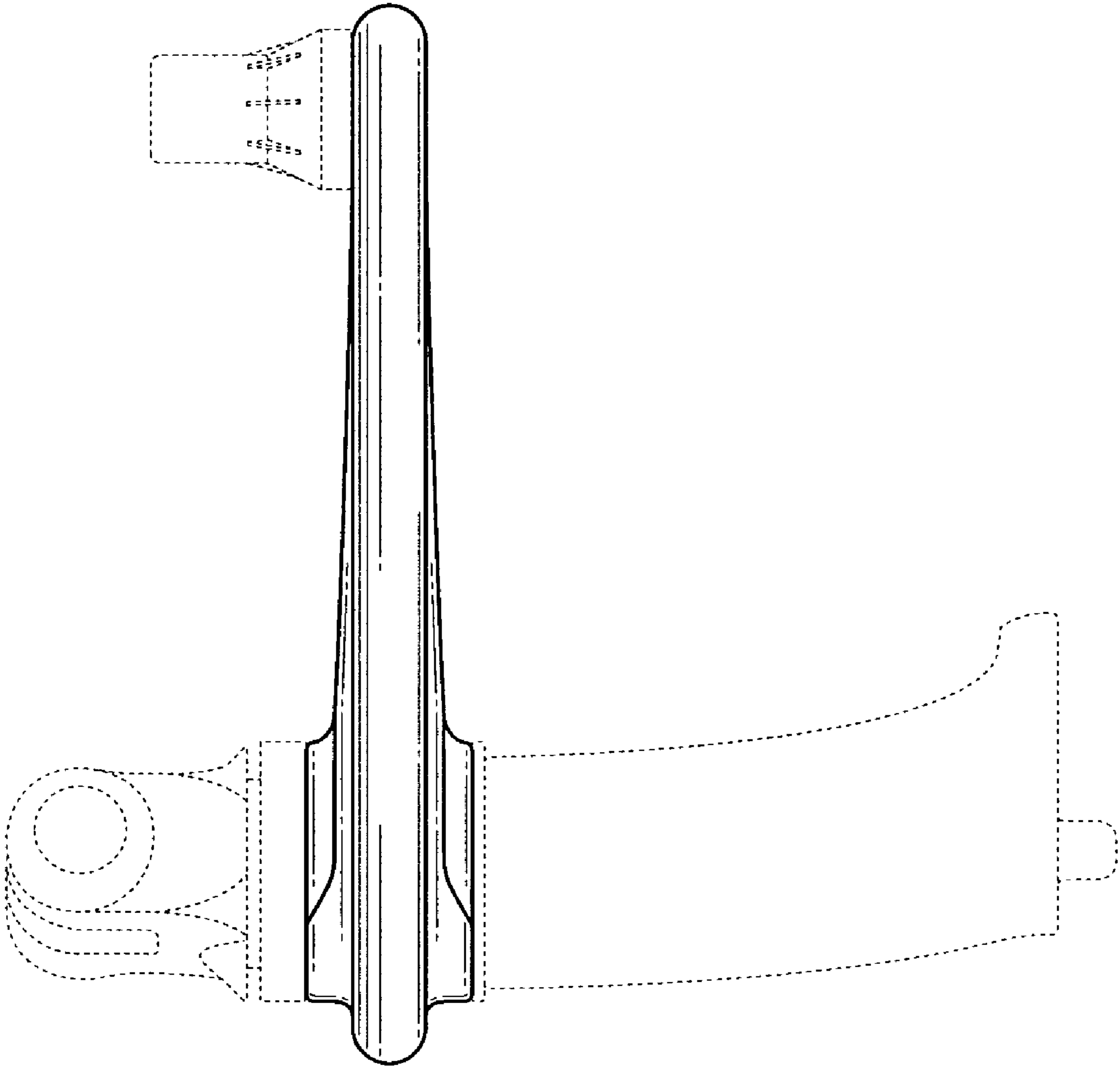


Fig. 6



**Fig. 7**