



US00D653174S

(12) **United States Design Patent**  
**Parvey**

(10) **Patent No.:** **US D653,174 S**

(45) **Date of Patent:** **\*\* Jan. 31, 2012**

(54) **MOTORCYCLE FLOORBOARD**

(75) Inventor: **Daniel Parvey**, New Richmond, WI (US)

(73) Assignee: **Kuryakyn Holdings, LLC**, Somerset, WI (US)

(\*\*) Term: **14 Years**

(21) Appl. No.: **29/372,865**

(22) Filed: **Jan. 25, 2011**

(51) **LOC (9) Cl.** ..... **12-11**

(52) **U.S. Cl.** ..... **D12/114**

(58) **Field of Classification Search** ..... D12/114,  
D12/110, 122, 203, 125; 180/219, 220, 90.6;  
74/560, 561, 562.5, 564; 280/288.4, 291,  
280/163, 169

See application file for complete search history.

(56) **References Cited**

**U.S. PATENT DOCUMENTS**

4,174,852	A *	11/1979	Panzica et al.	.....	280/291
D483,699	S *	12/2003	Anthony	.....	D12/114
D519,886	S *	5/2006	Colano	.....	D12/114
D528,476	S *	9/2006	Stahel et al.	.....	D12/114
D531,092	S *	10/2006	Stahel et al.	.....	D12/114
7,431,118	B1 *	10/2008	Hogg	.....	180/219

7,997,604 B2 \* 8/2011 Griep et al. .... 280/291

\* cited by examiner

*Primary Examiner* — Susan M Lee

*Assistant Examiner* — Linda G. Brooks

(74) *Attorney, Agent, or Firm* — Dicke, Billig & Czaja, PLLC

(57) **CLAIM**

The ornamental design for a motorcycle floorboard, as shown and described.

**DESCRIPTION**

FIG. 1 is a perspective view of the motorcycle floorboard of the present invention.

FIG. 2 is a top view thereof.

FIG. 3 is a bottom view thereof.

FIG. 4 is a front side view thereof.

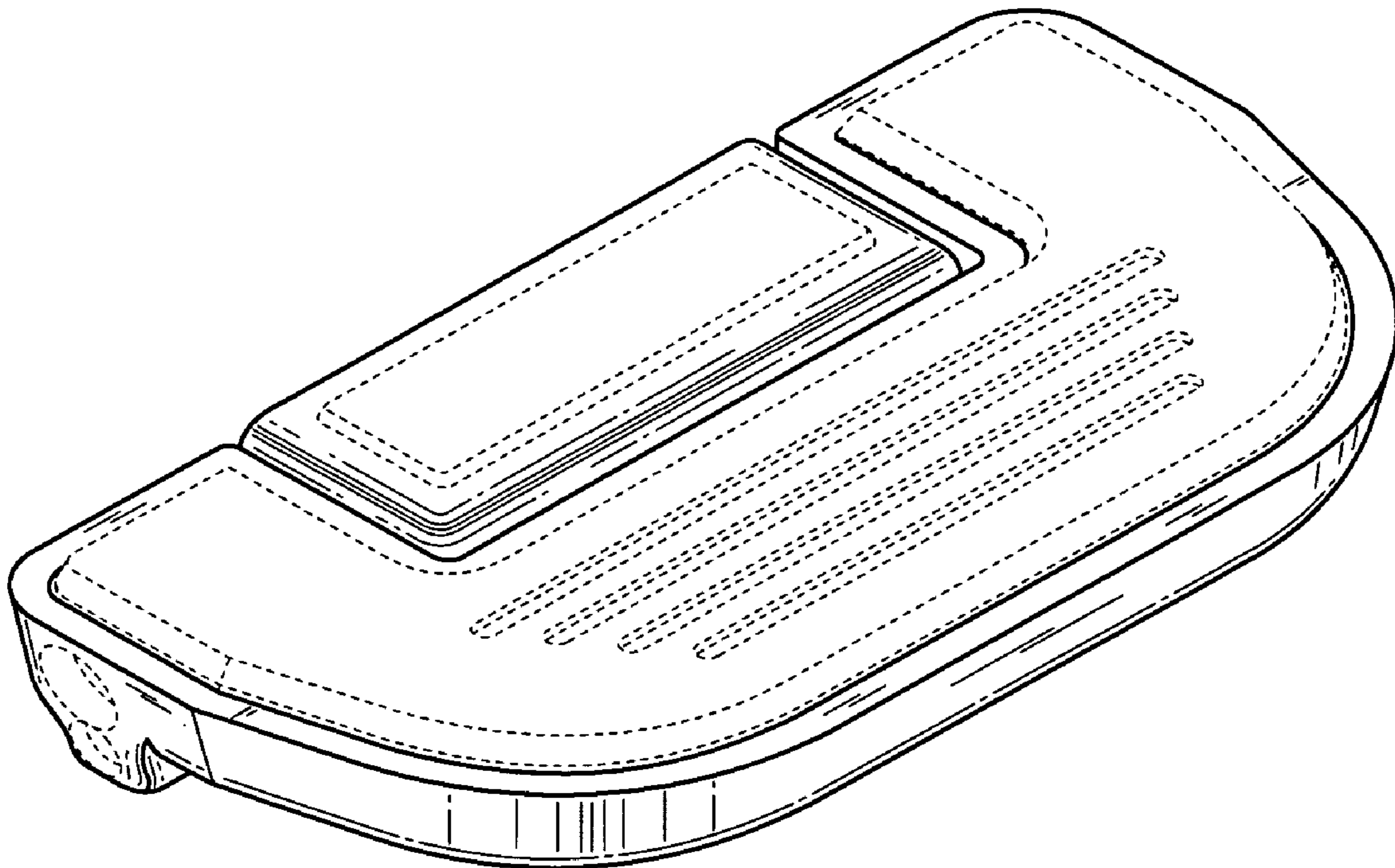
FIG. 5 is a rear side view thereof.

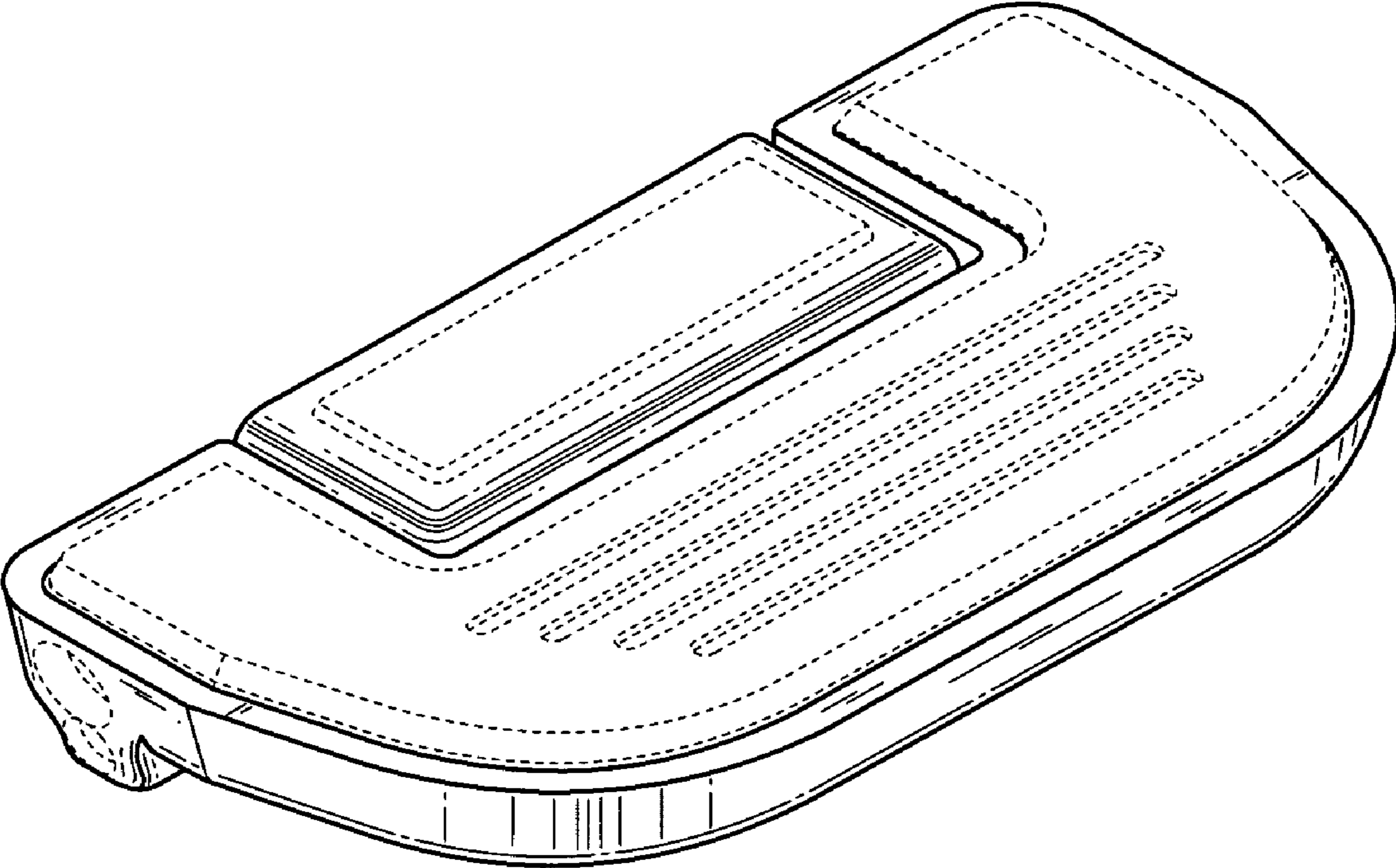
FIG. 6 is a first end view thereof; and,

FIG. 7 is a second end view opposite the first end view thereof.

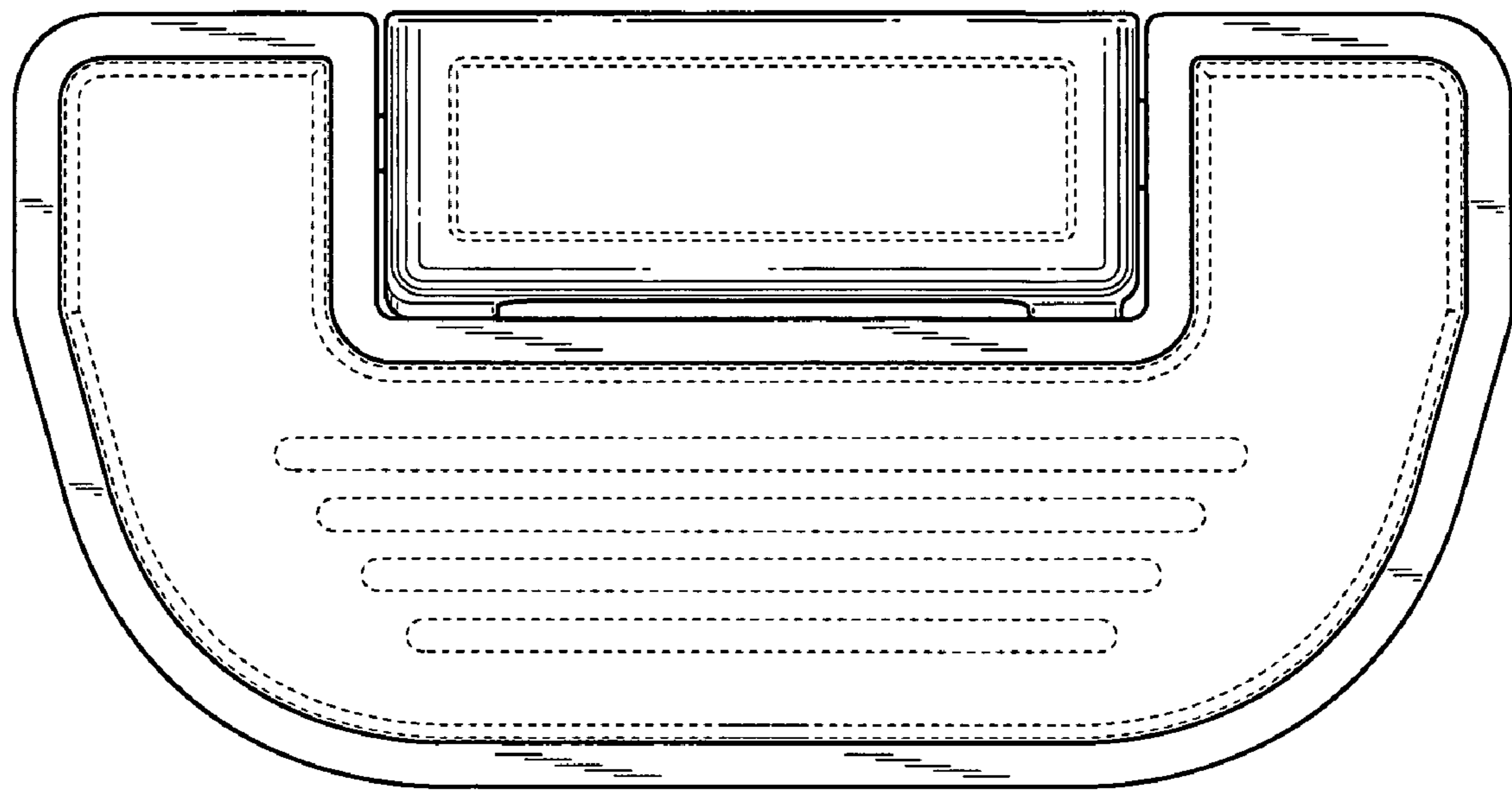
The top surface portions, bottom surface portions, rear surface portions, lower mounting portion and openings of the motorcycle floorboard shown in broken lines form no part of the claimed design.

**1 Claim, 5 Drawing Sheets**

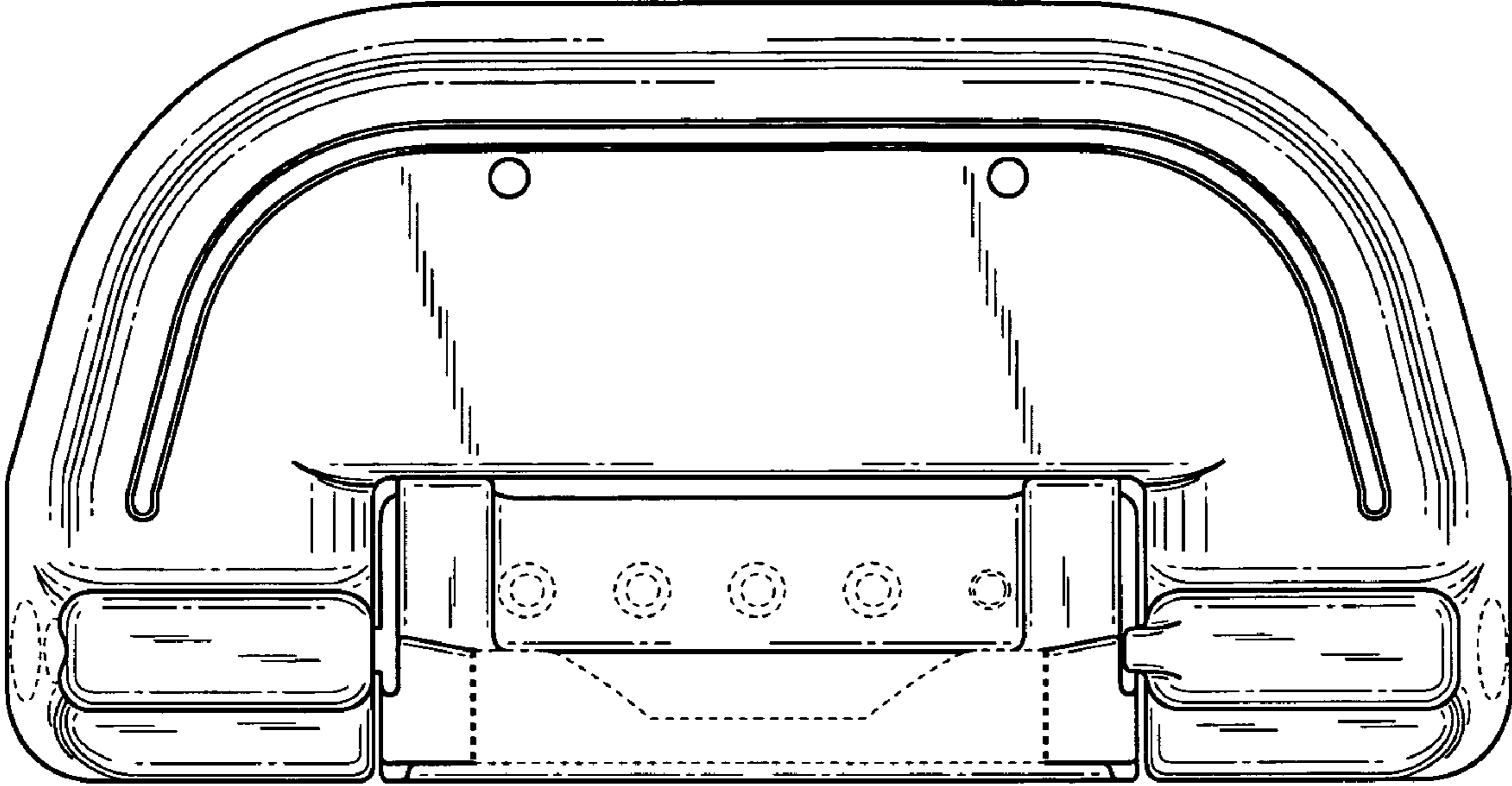




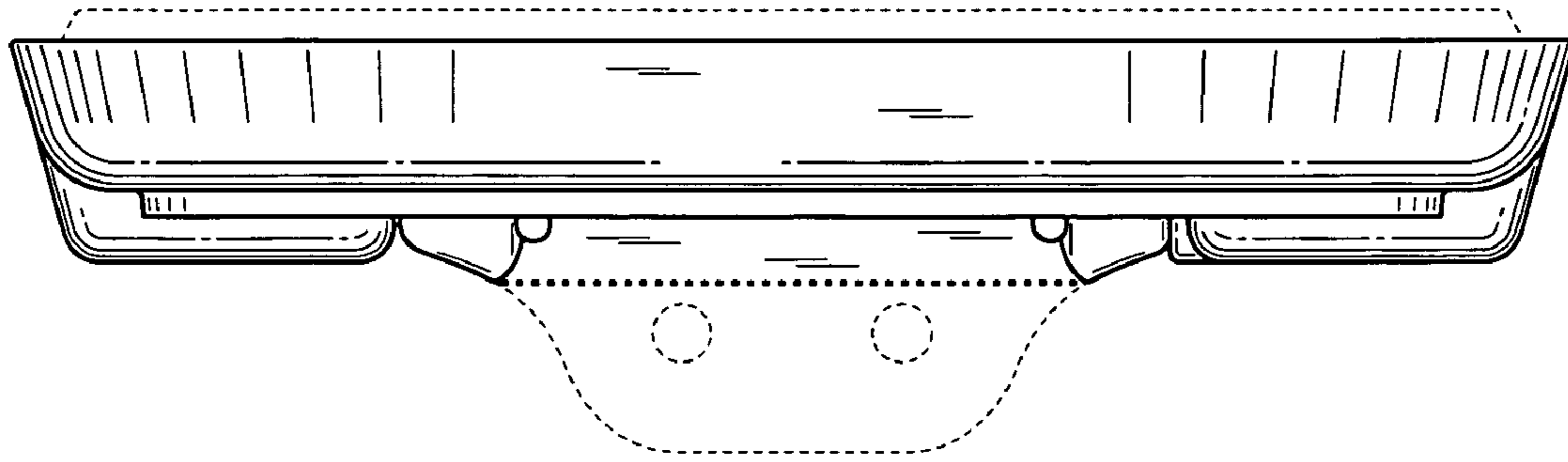
**Fig. 1**



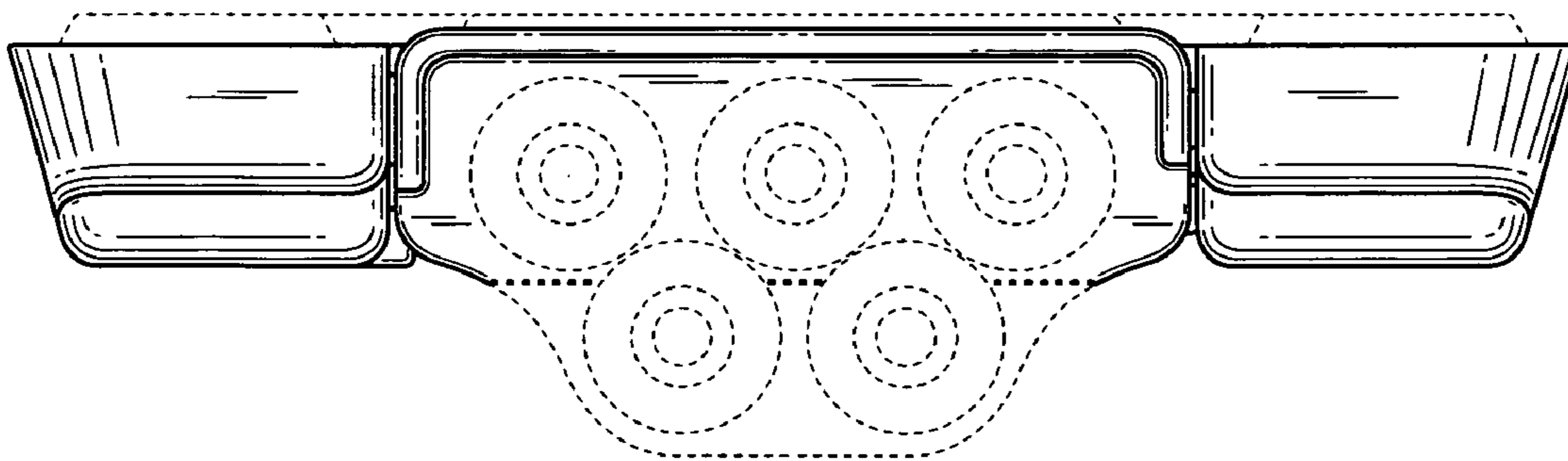
**Fig. 2**



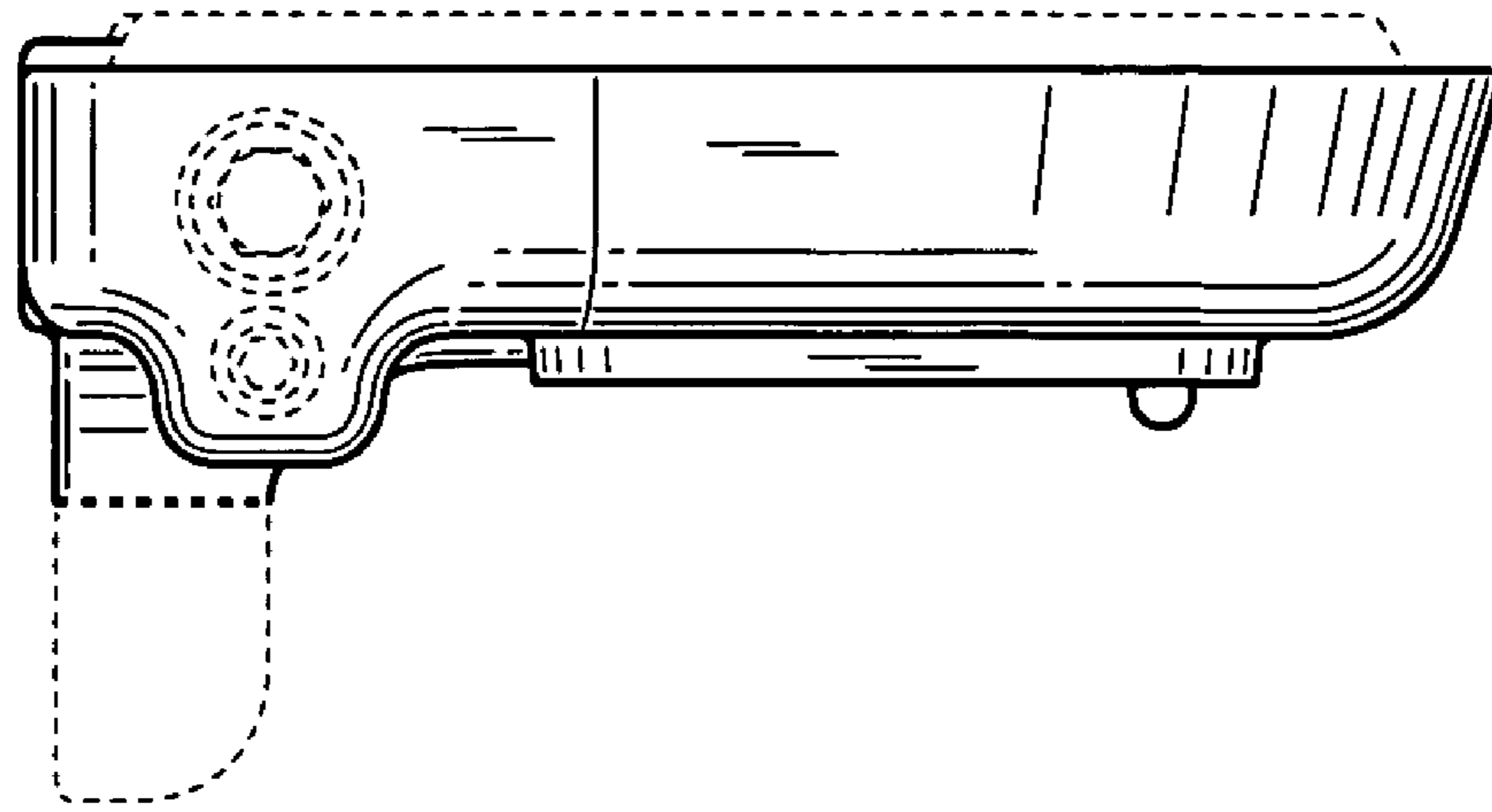
**Fig. 3**



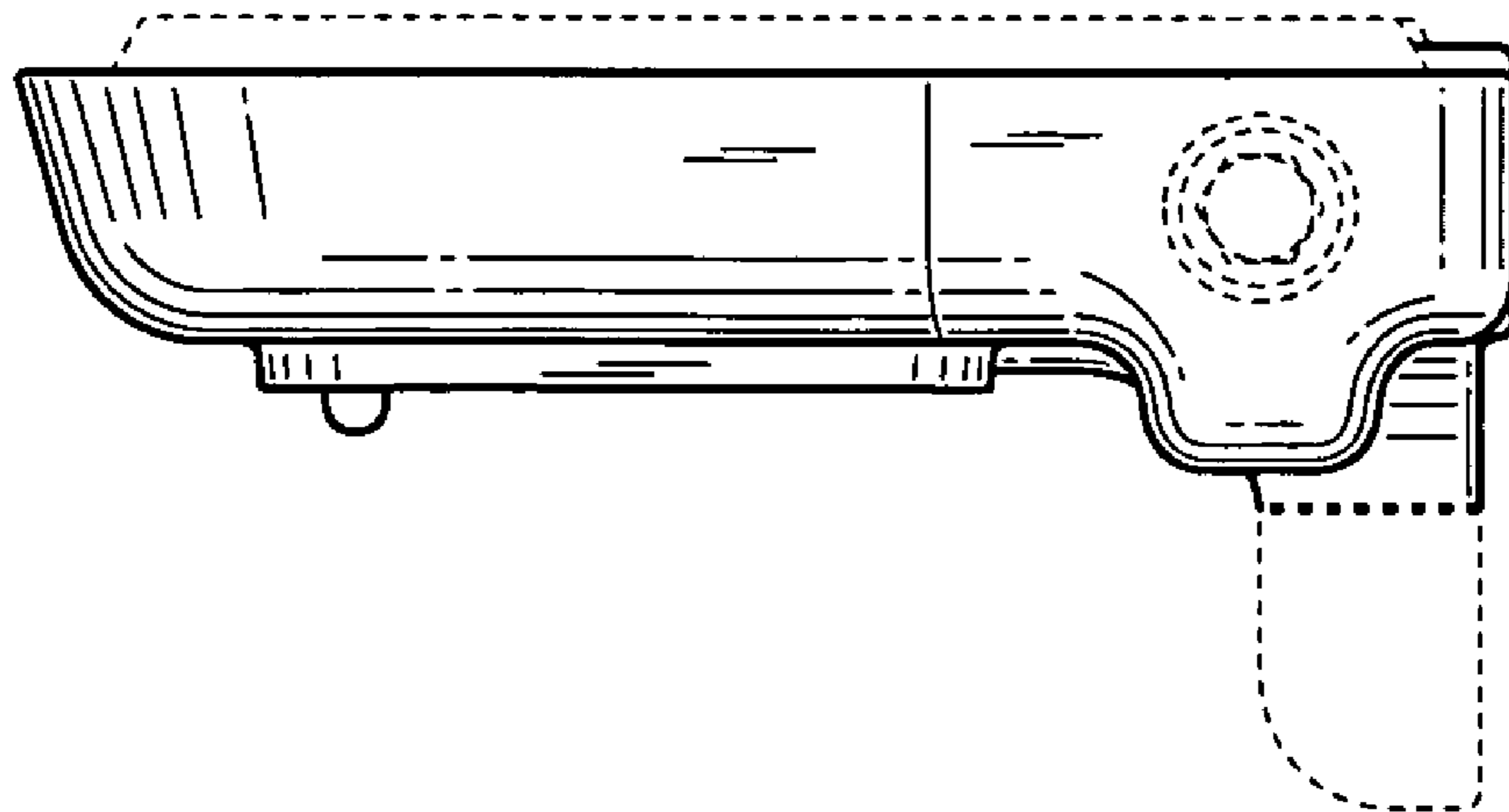
**Fig. 4**



**Fig. 5**



**Fig. 6**



**Fig. 7**