



US00D653172S

(12) **United States Design Patent**  
**Evans**

(10) **Patent No.:** **US D653,172 S**  
(45) **Date of Patent:** **\*\* Jan. 31, 2012**

- (54) **MOBILE ICE CREAM KIOSK**
- (76) Inventor: **Andrew Evans**, Chatham (CA)
- (\*\*) Term: **14 Years**
- (21) Appl. No.: **29/380,113**
- (22) Filed: **Nov. 30, 2010**
- (51) **LOC (9) Cl.** ..... **12-08**
- (52) **U.S. Cl.** ..... **D12/83; D12/93**
- (58) **Field of Classification Search** ..... D12/83,  
D12/93, 102; D21/424, 434, 581; 180/89.16,  
180/89.18, 89.19; 296/183.1, 21  
See application file for complete search history.

*Primary Examiner* — Melody N Brown  
(74) *Attorney, Agent, or Firm* — Dorsey & Whitney LLP

(57) **CLAIM**  
The ornamental design of a mobile ice cream kiosk, as shown and described.

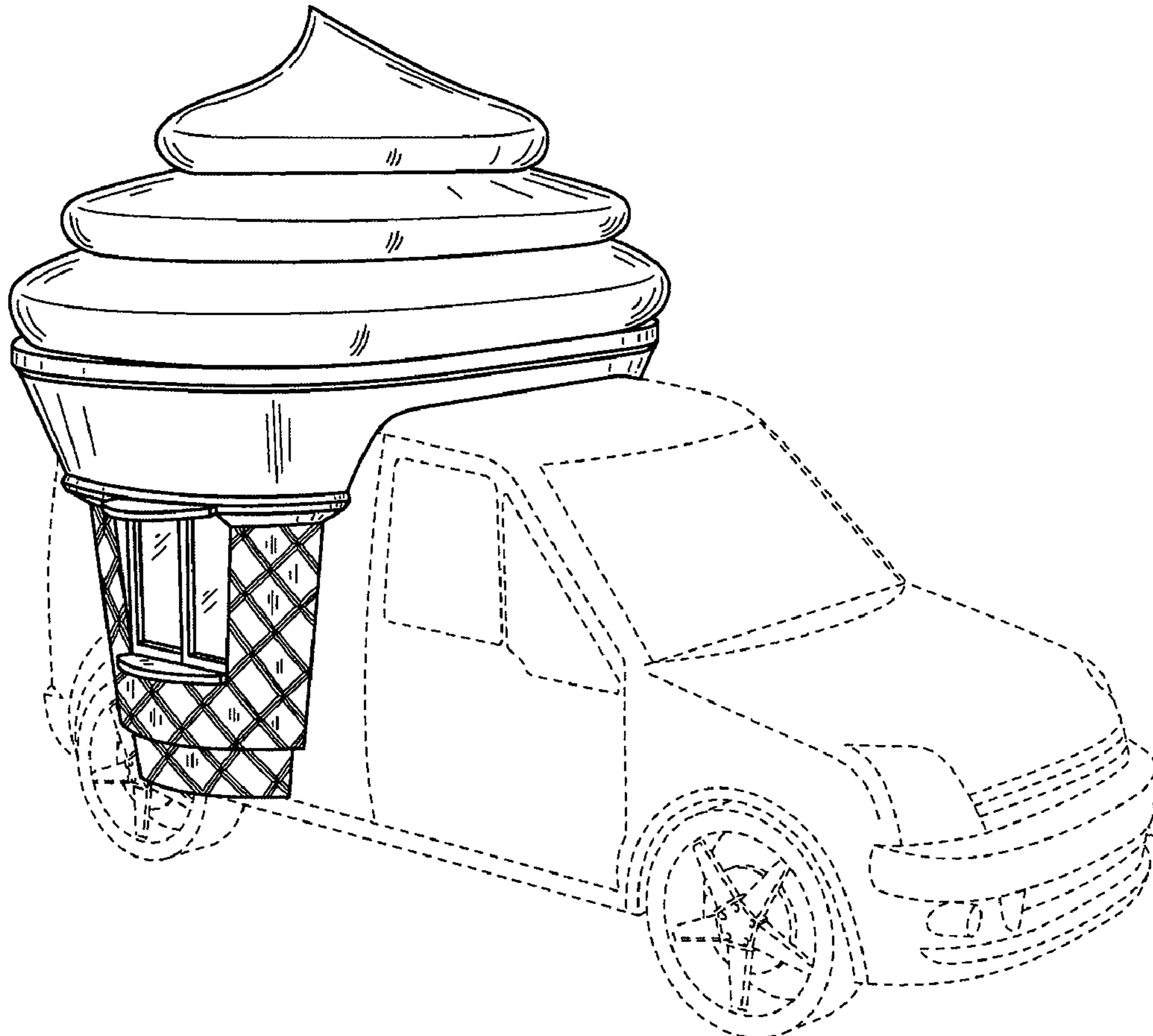
**DESCRIPTION**

FIG. 1 is a right perspective view of a first embodiment of a mobile ice cream kiosk showing my new design;  
FIG. 2 is a right side view of the mobile ice cream kiosk of FIG. 1;  
FIG. 3 is a left side view of the mobile ice cream kiosk of FIG. 1;  
FIG. 4 is a front view of the mobile ice cream kiosk of FIG. 1; and,  
FIG. 5 is a rear view of the mobile ice cream kiosk of FIG. 1  
The broken lines are provided for illustrative purposes only, and form no part of the claimed design. In addition, shadings are provided for illustrative purposes only, and do not form any portion of the claimed design.

- (56) **References Cited**
- U.S. PATENT DOCUMENTS
- 618,634 A \* 1/1899 Young et al. .... 296/21
- D273,373 S \* 4/1984 Levine et al. .... D12/83
- D283,994 S \* 5/1986 Perry ..... D12/83
- D366,634 S \* 1/1996 Anderson ..... D12/102
- D430,067 S \* 8/2000 Hosomi ..... D12/93
- D440,909 S \* 4/2001 Balescu ..... D12/93
- D466,836 S \* 12/2002 Kerouanton et al. .... D12/93
- D604,671 S \* 11/2009 Rupp ..... D12/93
- D633,007 S \* 2/2011 Evans ..... D12/83

\* cited by examiner

**1 Claim, 5 Drawing Sheets**



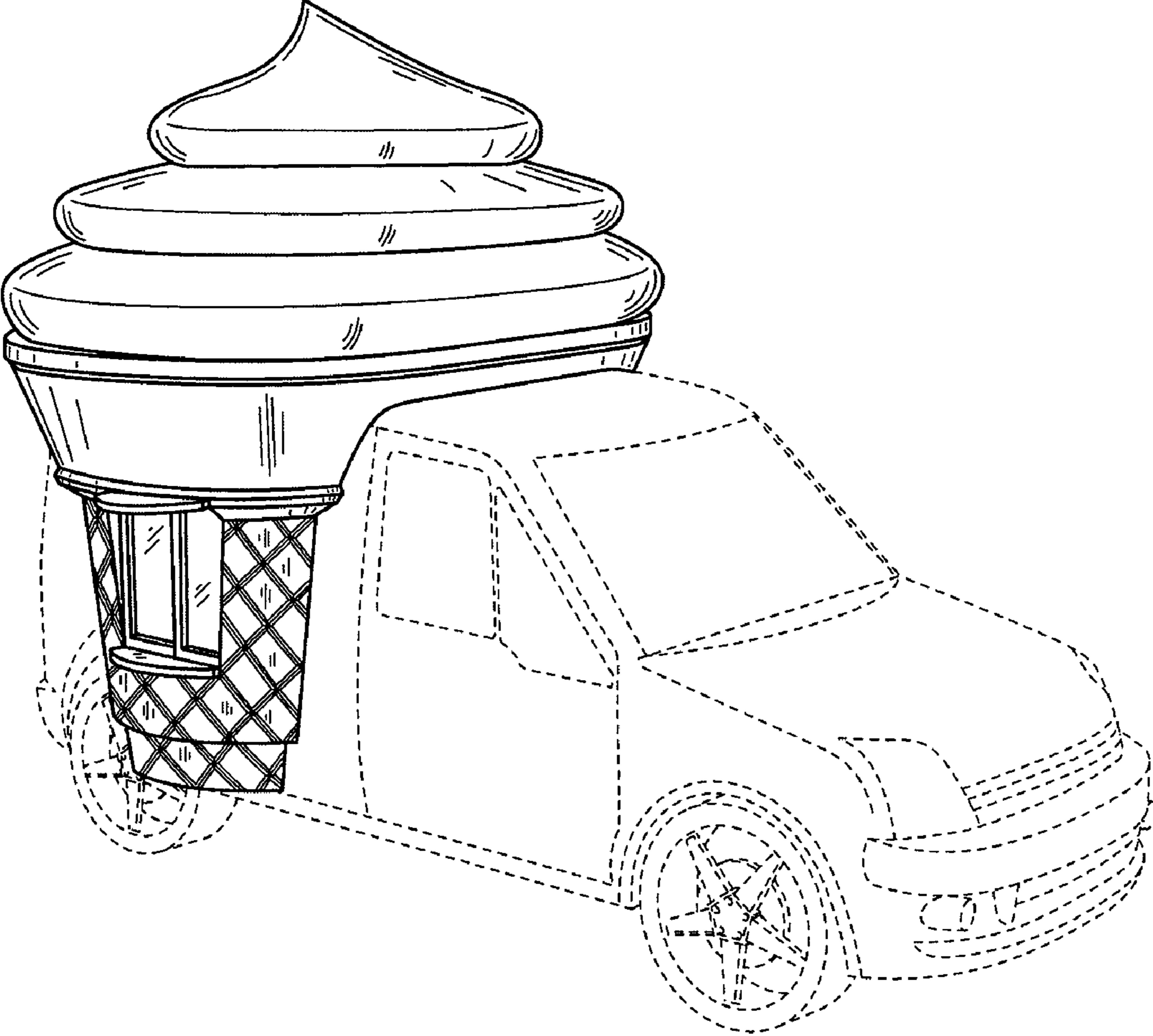


FIG.1

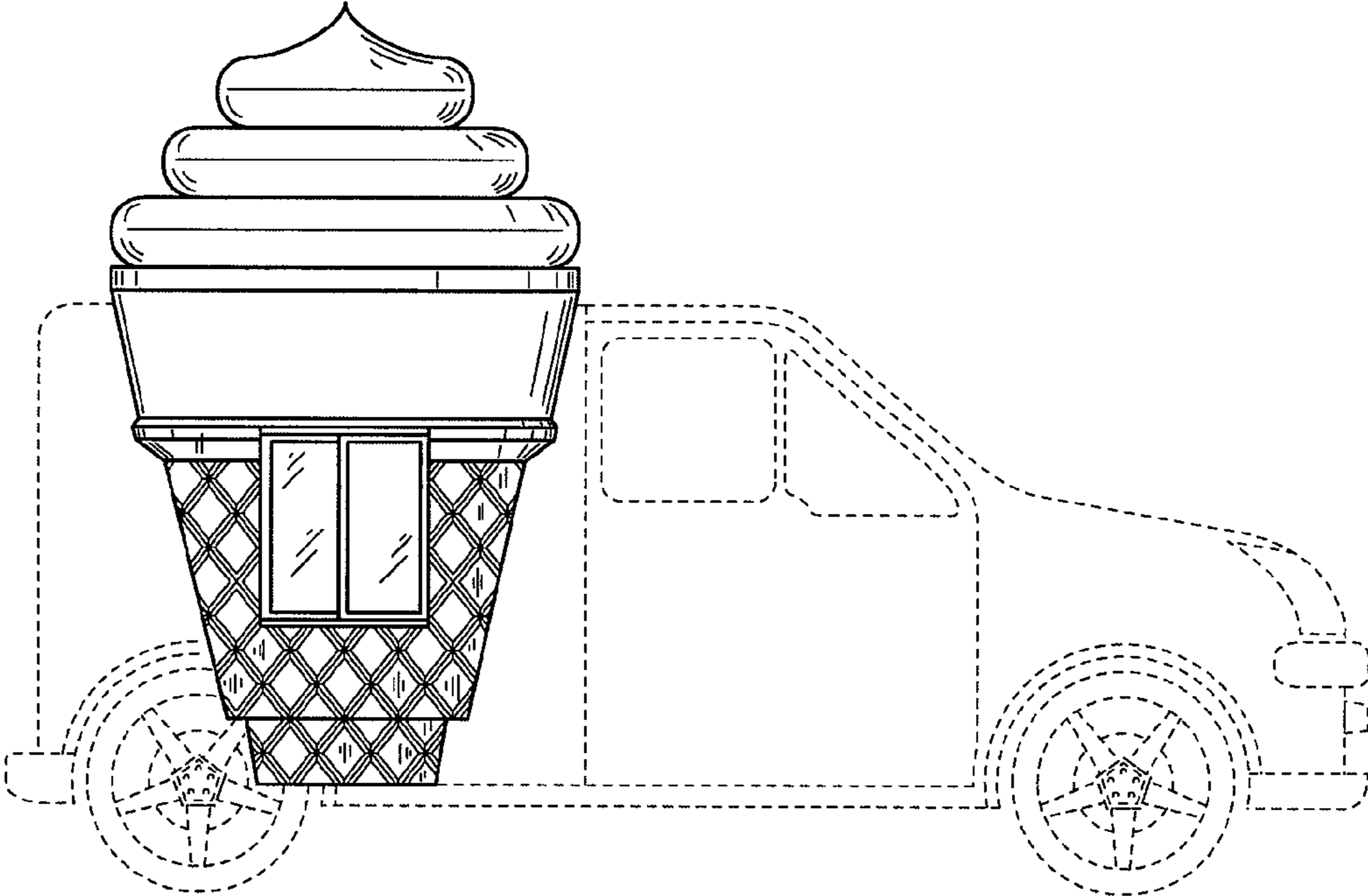


FIG.2

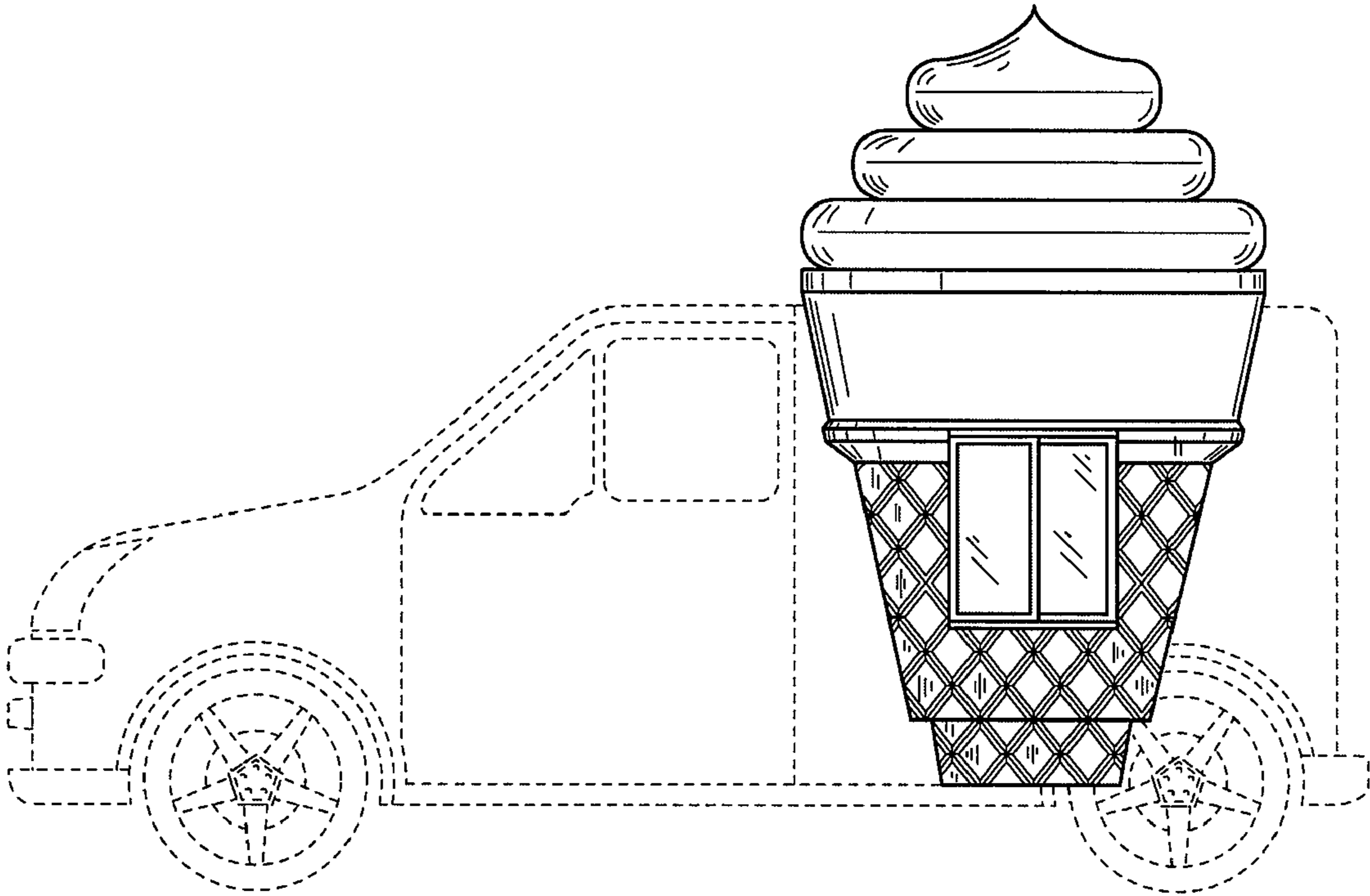


FIG.3

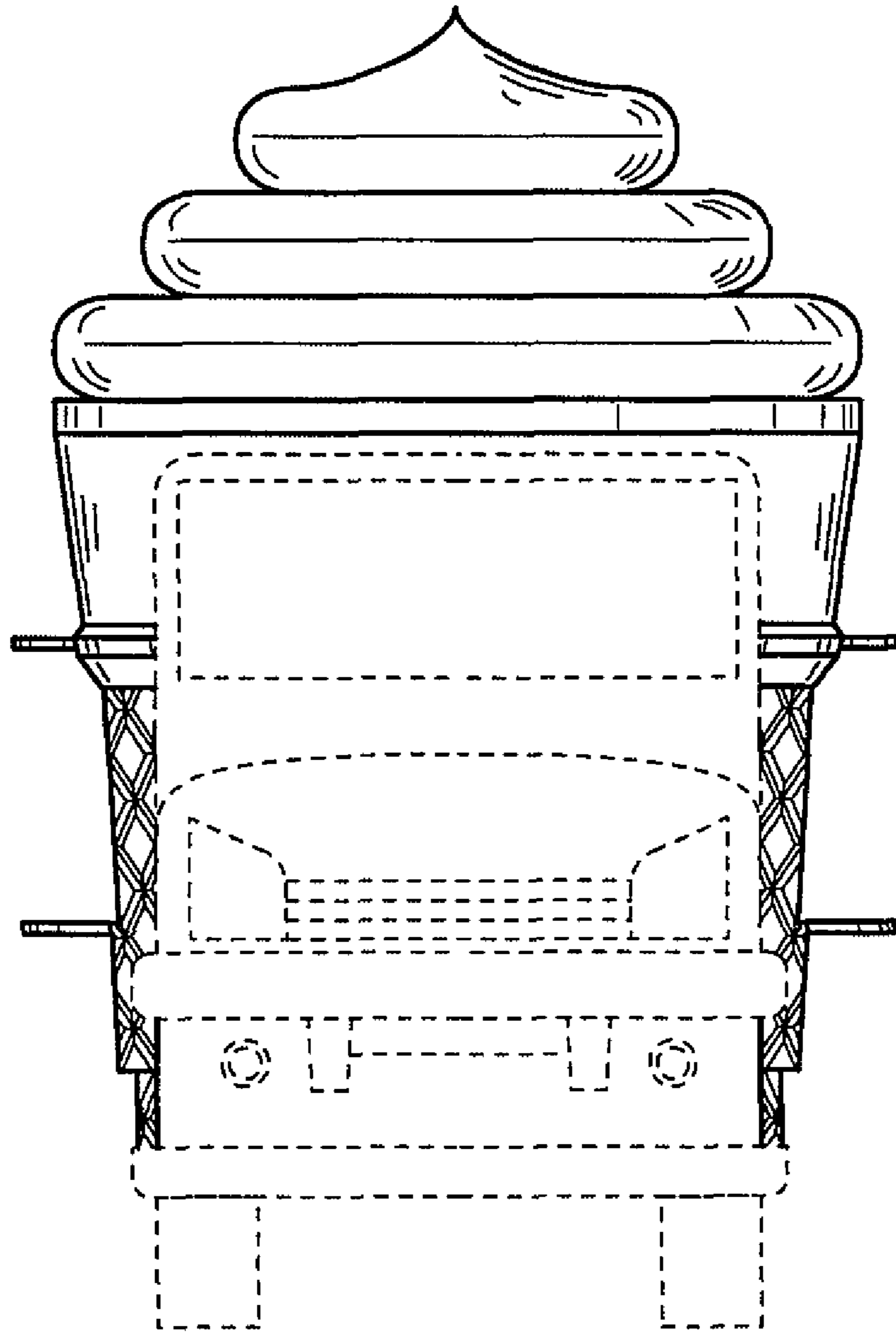


FIG.4

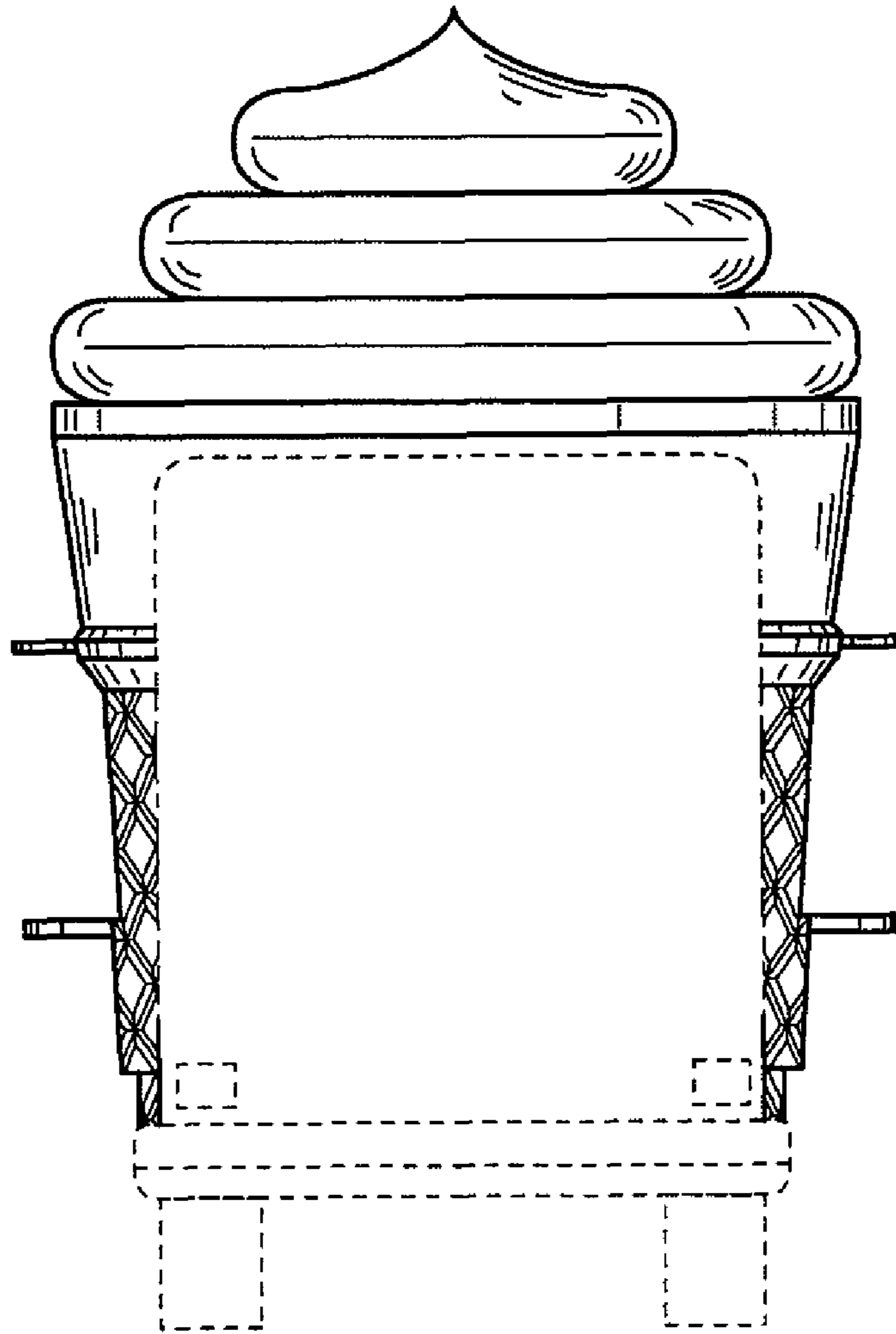


FIG.5