

US00D653171S

(12) **United States Design Patent**
Hamada et al.

(10) **Patent No.:** **US D653,171 S**
(45) **Date of Patent:** **** Jan. 31, 2012**

(54) **SLIDER FOR SLIDE FASTENER**

(75) Inventors: **Yoshikazu Hamada**, Toyama-ken (JP);
Yohei Miyazaki, Toyama-ken (JP)

(73) Assignee: **YKK Corporation** (JP)

(**) Term: **14 Years**

(21) Appl. No.: **29/398,060**

(22) Filed: **Jul. 26, 2011**

(30) **Foreign Application Priority Data**

Jan. 26, 2011 (JP) D2011-001592

(51) **LOC (9) Cl.** **02-07**

(52) **U.S. Cl.** **D11/221**

(58) **Field of Classification Search** D11/200,
D11/201, 221; 24/381-383, 385-387, 414-417,
24/421-422, 427-431, 433; 2/265

See application file for complete search history.

(56) **References Cited**

U.S. PATENT DOCUMENTS

D313,953 S * 1/1991 Minami D11/221
D380,988 S * 7/1997 Mizuno D11/221
D437,805 S * 2/2001 Yoneoka D11/221
D441,319 S * 5/2001 Yoneoka D11/221
D484,829 S * 1/2004 Yamamoto et al. D11/221
D497,570 S * 10/2004 Iwase D11/221

D497,835 S * 11/2004 Yoneoka et al. D11/221
D497,836 S * 11/2004 Iwase D11/221
D511,316 S * 11/2005 Hamada et al. D11/221
D608,247 S * 1/2010 Keyaki et al. D11/221
D643,776 S * 8/2011 Keyaki et al. D11/221
D643,779 S * 8/2011 Di Girolami et al. D11/221

FOREIGN PATENT DOCUMENTS

JP 712718-3 3/1992

* cited by examiner

Primary Examiner — Ralf Seifert

(74) *Attorney, Agent, or Firm* — Kilpatrick Townsend & Stockton LLP

(57) **CLAIM**

The ornamental design for a slider for slide fastener, as shown and described.

DESCRIPTION

FIG. 1 is a perspective view of the top, front and left side of a slider for slide fastener showing my (our) new design; FIG. 2 is a front view thereof; FIG. 3 is a rear view thereof; FIG. 4 is a top plan view thereof; FIG. 5 is a bottom view thereof; and, FIG. 6 is a right side view thereof, the left side view being mirror image thereof.

1 Claim, 4 Drawing Sheets

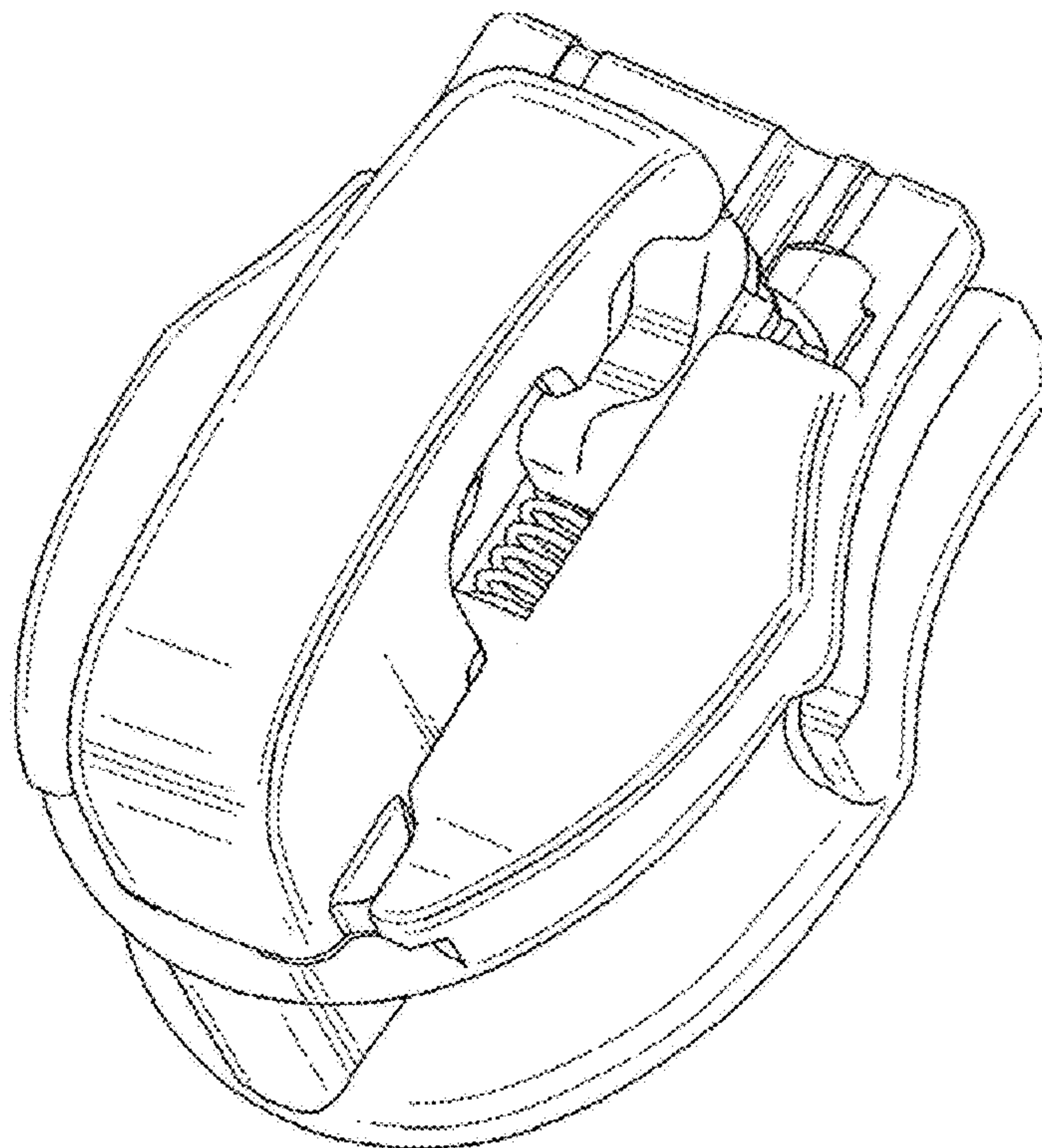


Fig. 1

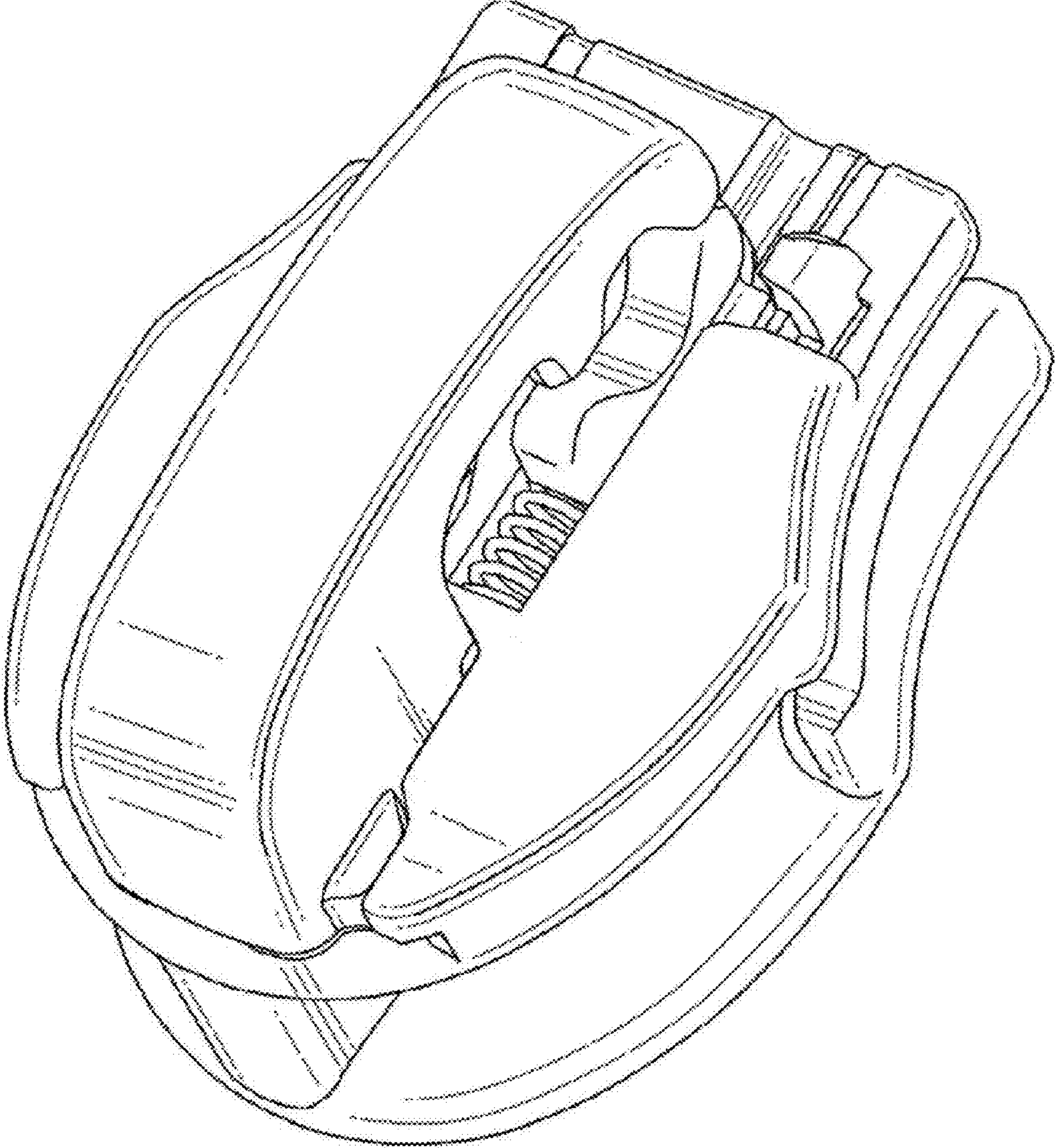


Fig. 2

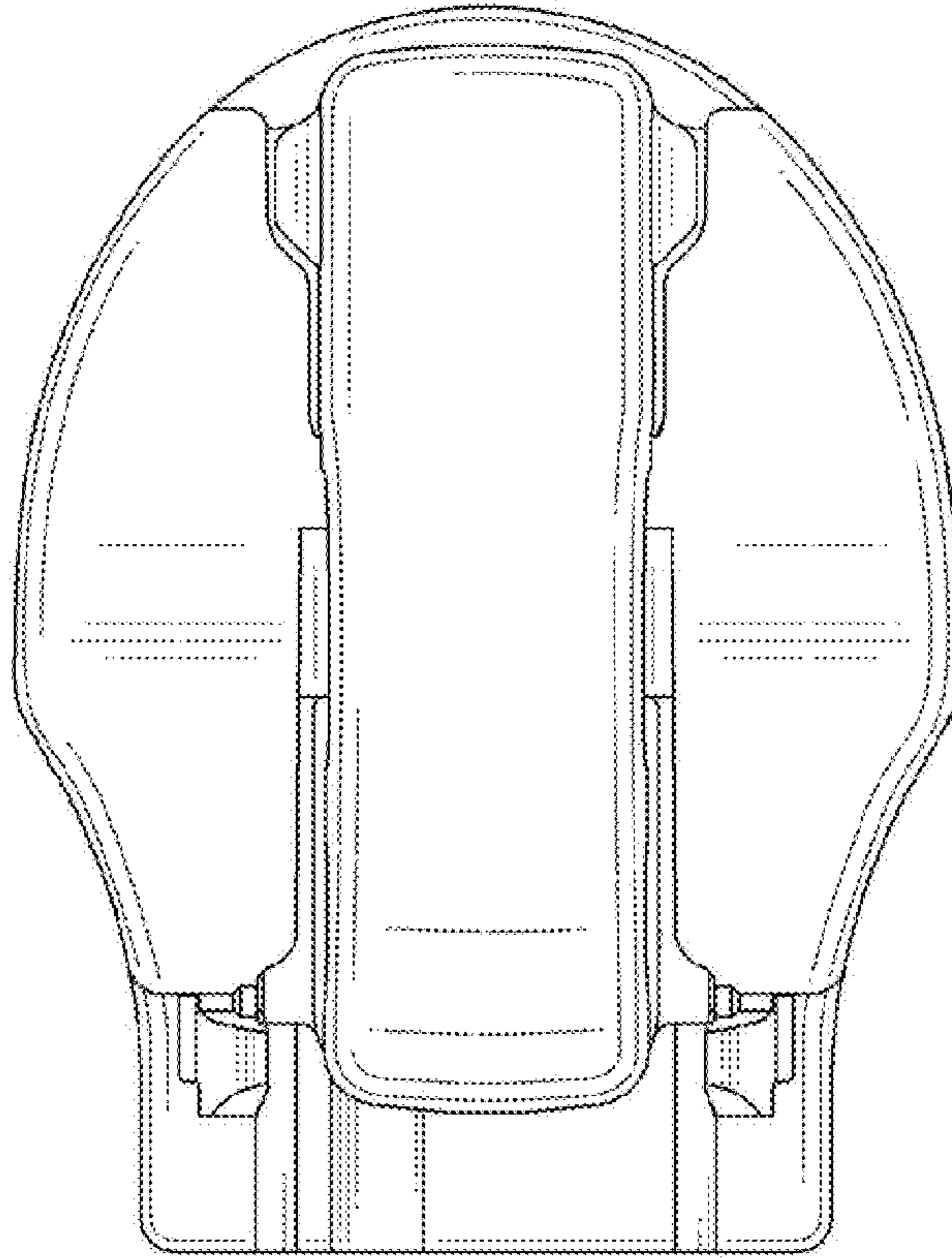


Fig. 3

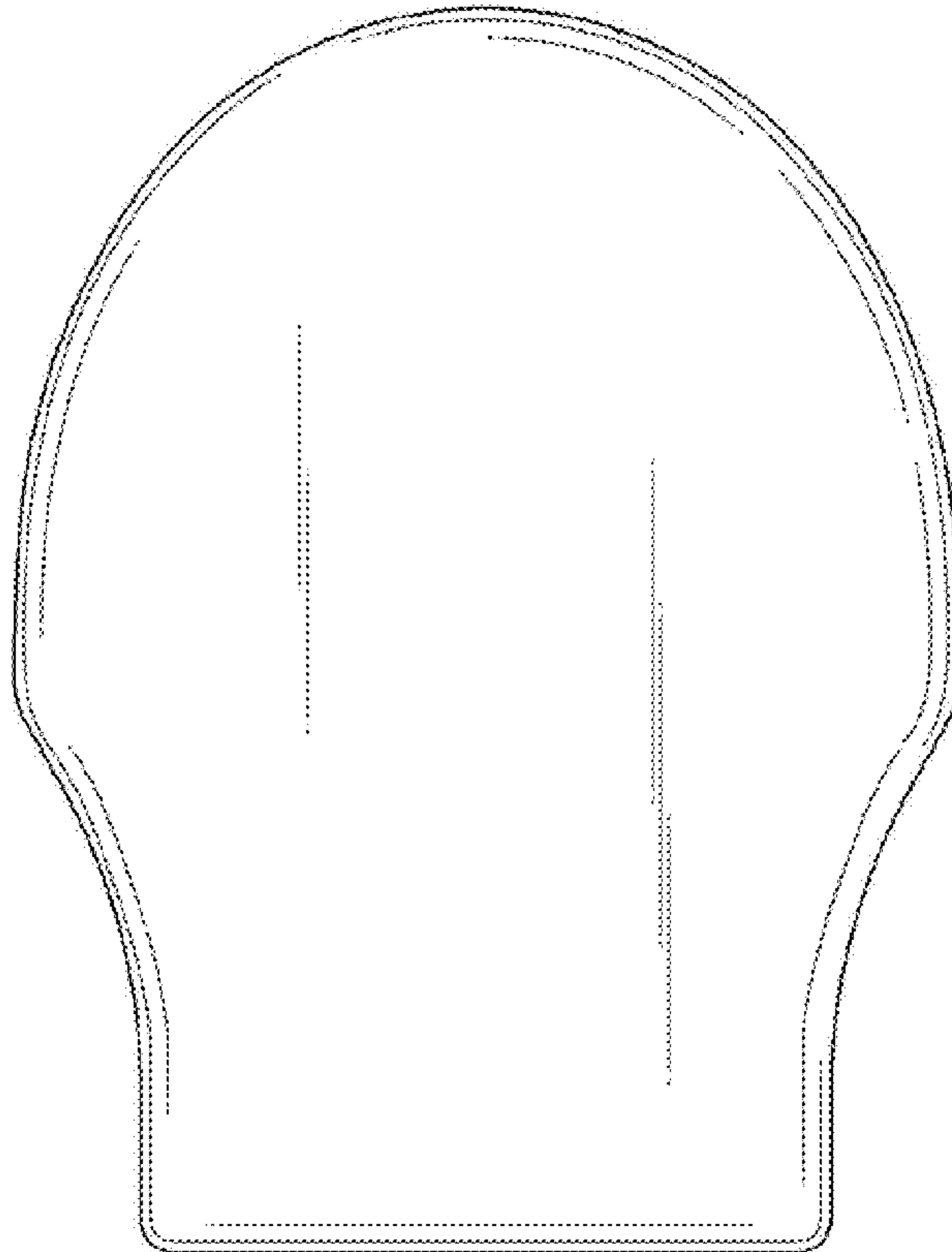


Fig. 4

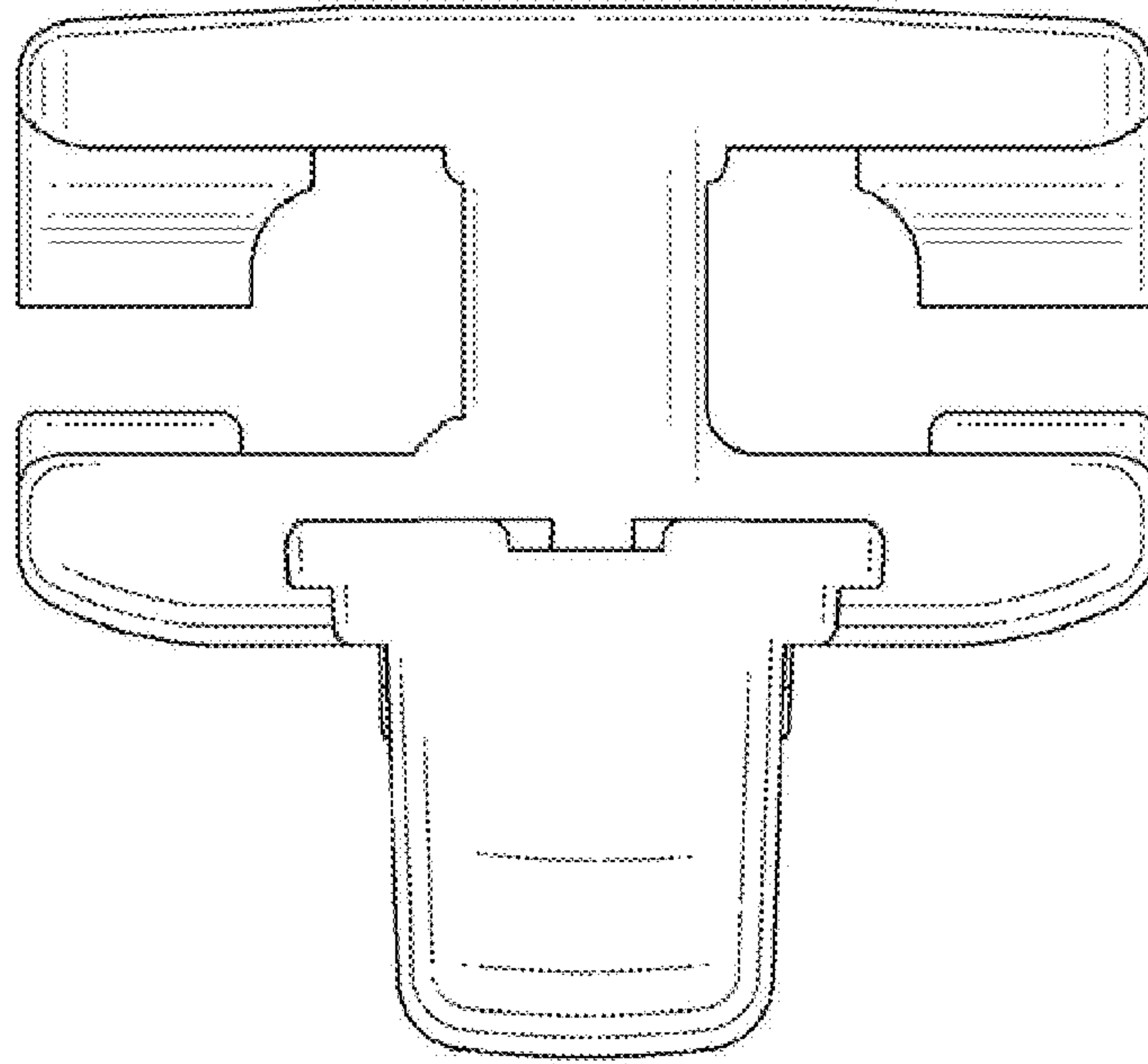


Fig. 5

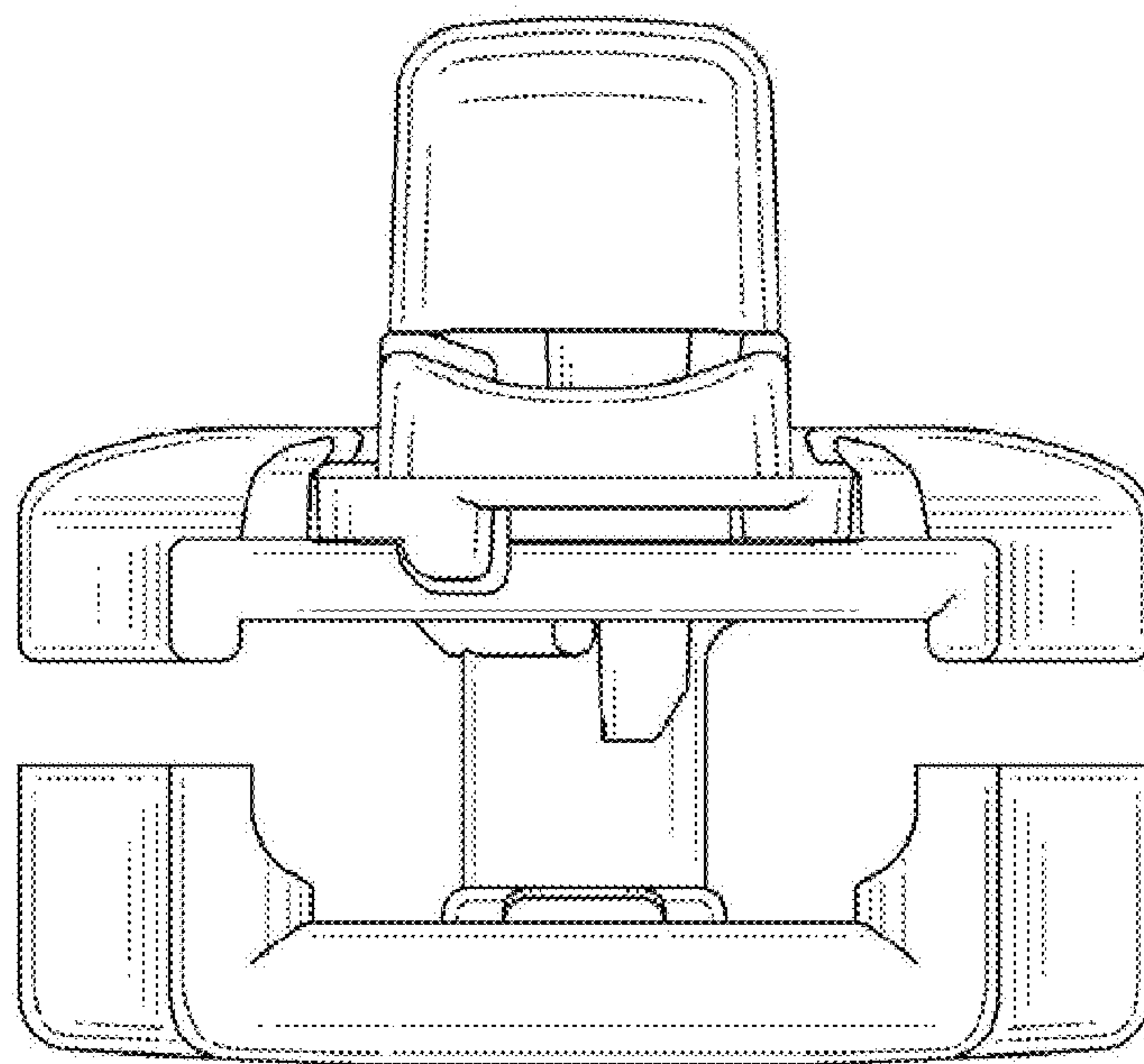


Fig. 6

