



US00D653170S

(12) **United States Design Patent**  
**Hamada et al.**

(10) **Patent No.:** **US D653,170 S**  
(45) **Date of Patent:** **\*\* Jan. 31, 2012**

(54) **SLIDER FOR SLIDE FASTENER**  
(75) Inventors: **Yoshikazu Hamada**, Toyama-ken (JP);  
**Yohei Miyazaki**, Toyama-ken (JP)

D629,333 S \* 12/2010 Miyazaki et al. .... D11/221  
D643,333 S \* 8/2011 Iwase ..... D11/221  
D643,336 S \* 8/2011 Di Girolami et al. .... D11/221  
D643,777 S \* 8/2011 Iwase ..... D11/221  
D643,779 S \* 8/2011 Di Girolami et al. .... D11/221  
D646,196 S \* 10/2011 Yamagishi ..... D11/221

(73) Assignee: **YKK Corporation** (JP)

**FOREIGN PATENT DOCUMENTS**

(\*\*) Term: **14 Years**

JP 831390-1 11/1996

(21) Appl. No.: **29/398,021**

\* cited by examiner

(22) Filed: **Jul. 25, 2011**

*Primary Examiner* — Ralf Seifert

(30) **Foreign Application Priority Data**

(74) *Attorney, Agent, or Firm* — Kilpatrick Townsend & Stockton LLP

Jan. 26, 2011 (JP) ..... D2011-001571

(57) **CLAIM**

(51) **LOC (9) Cl.** ..... **02-07**

The ornamental design for a slider for slide fastener, as shown and described.

(52) **U.S. Cl.** ..... **D11/221**

**DESCRIPTION**

(58) **Field of Classification Search** ..... D11/200,  
D11/201, 221; 24/381–383, 385–387, 414–417,  
24/421–422, 427–431, 433; 2/265  
See application file for complete search history.

FIG. 1 is a perspective view of the top, front and left side of a slider for slide fastener showing my (our) new design;  
FIG. 2 is a front view thereof;  
FIG. 3 is a rear view thereof;  
FIG. 4 is a top plan view thereof;  
FIG. 5 is a bottom view thereof; and,  
FIG. 6 is a right side view thereof, the left side view being mirror image thereof.

(56) **References Cited**

**U.S. PATENT DOCUMENTS**

D398,560 S \* 9/1998 Oda ..... D11/221  
D509,770 S \* 9/2005 Hamada et al. .... D11/221  
D576,916 S \* 9/2008 Yamamoto ..... D11/221

**1 Claim, 4 Drawing Sheets**

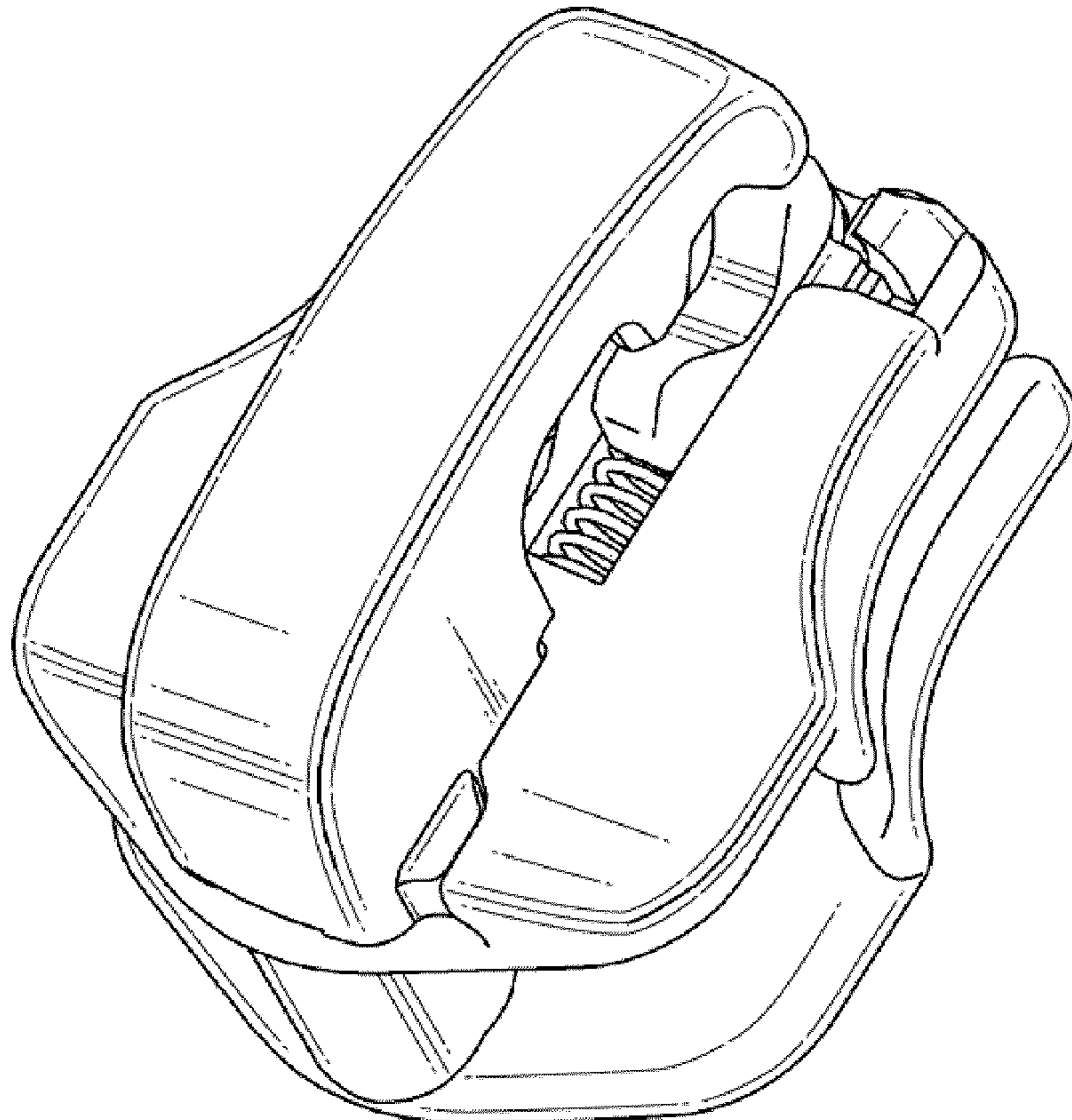


Fig. 1

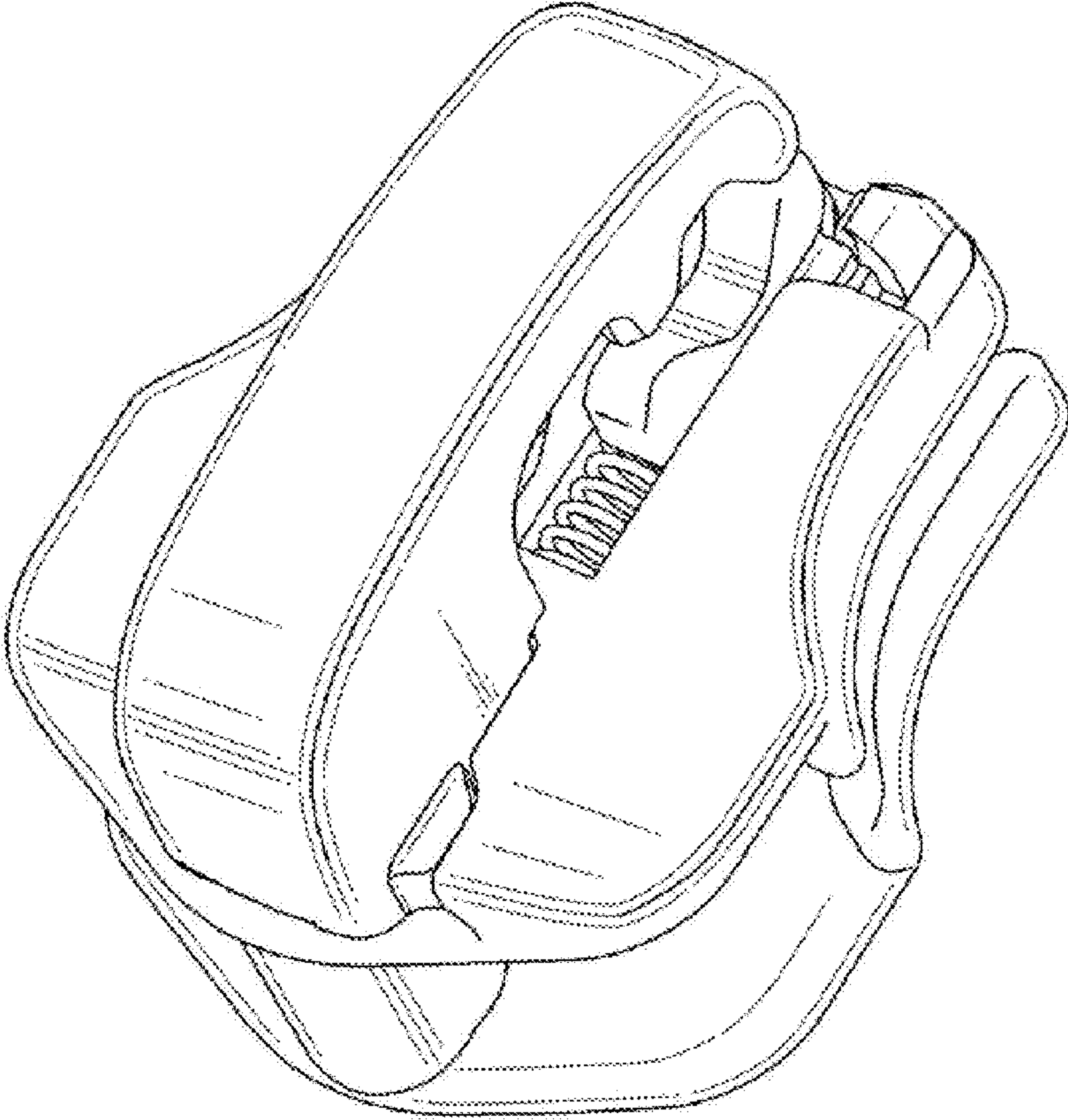


Fig. 2

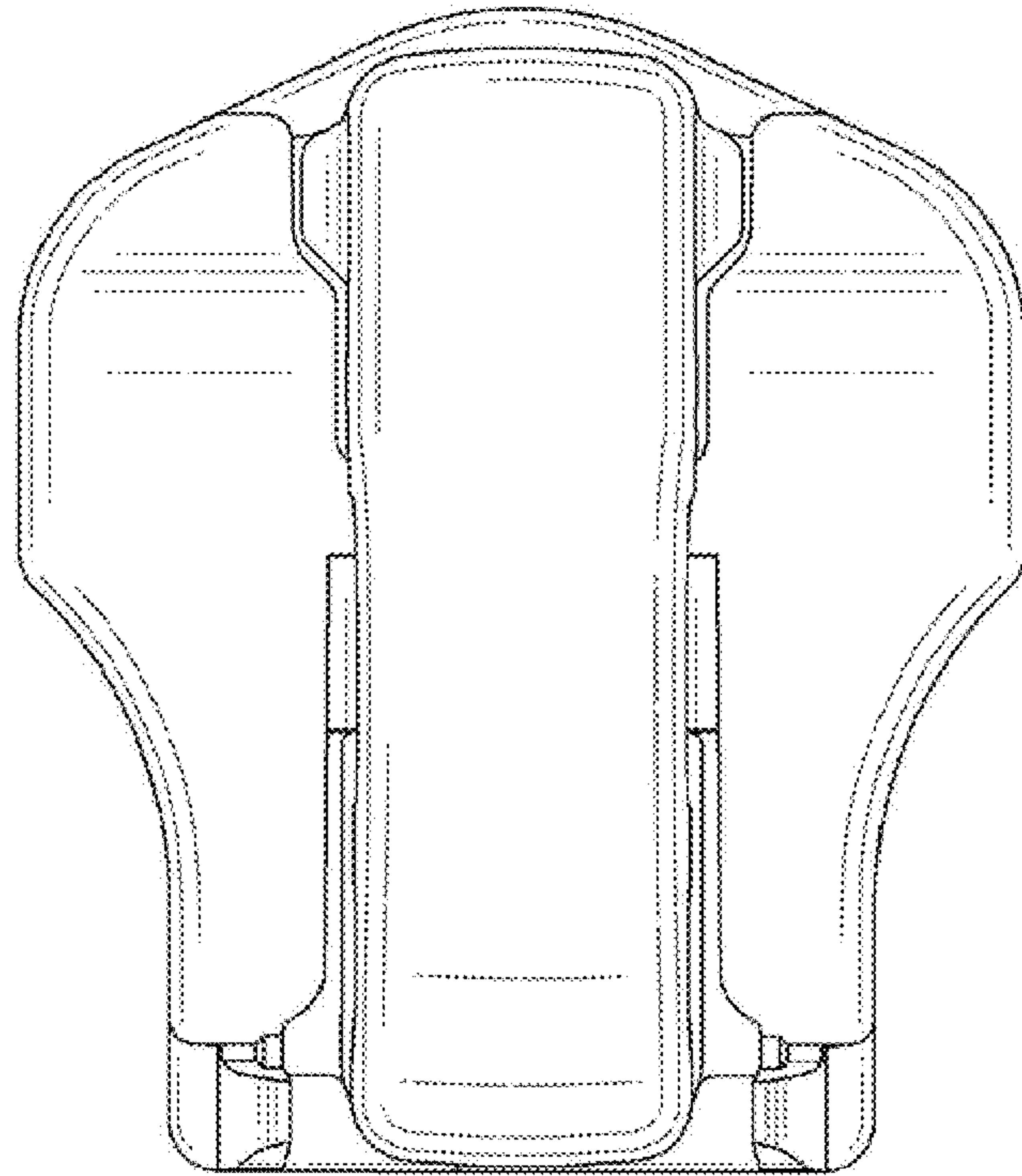


Fig. 3

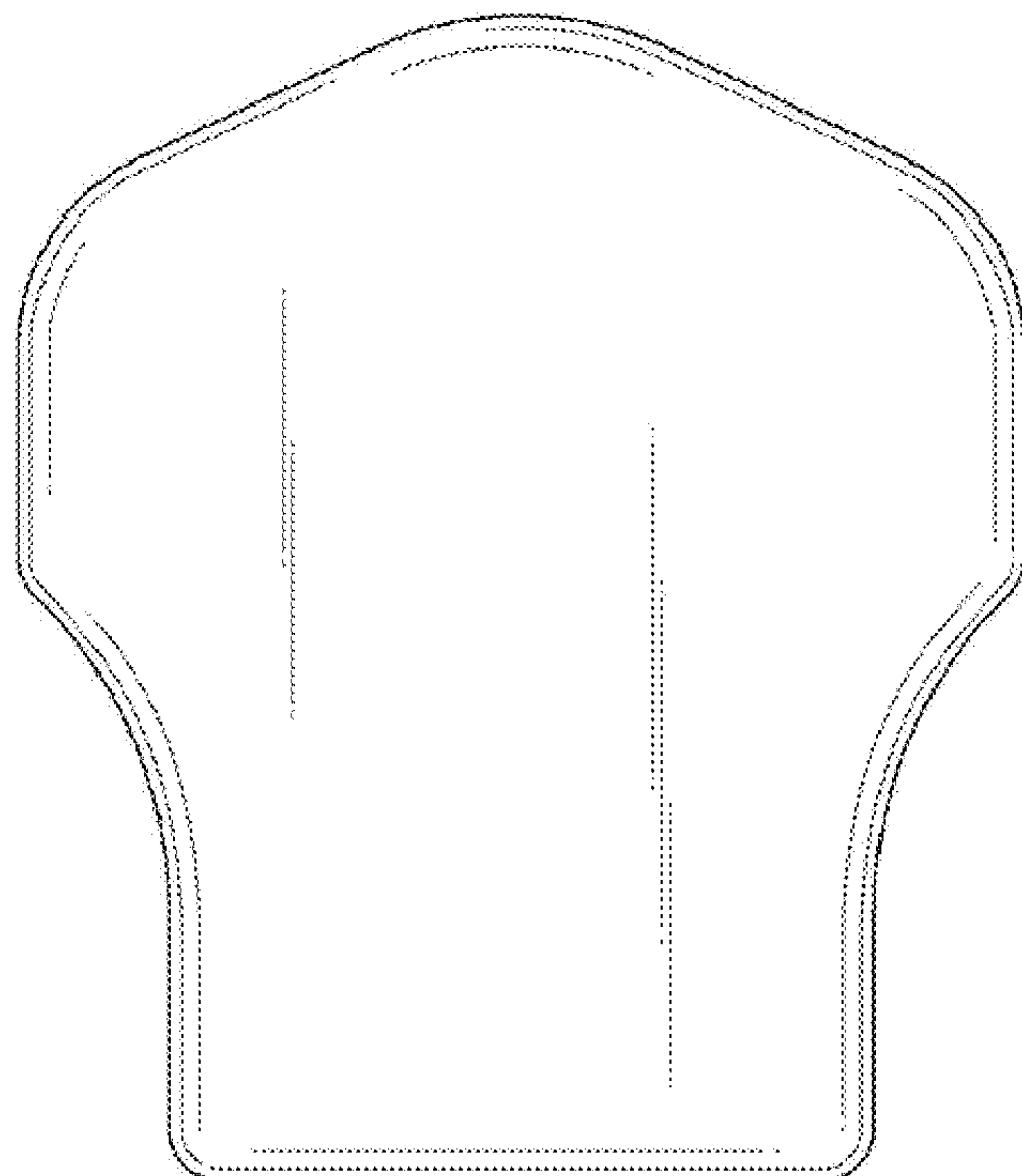


Fig. 4

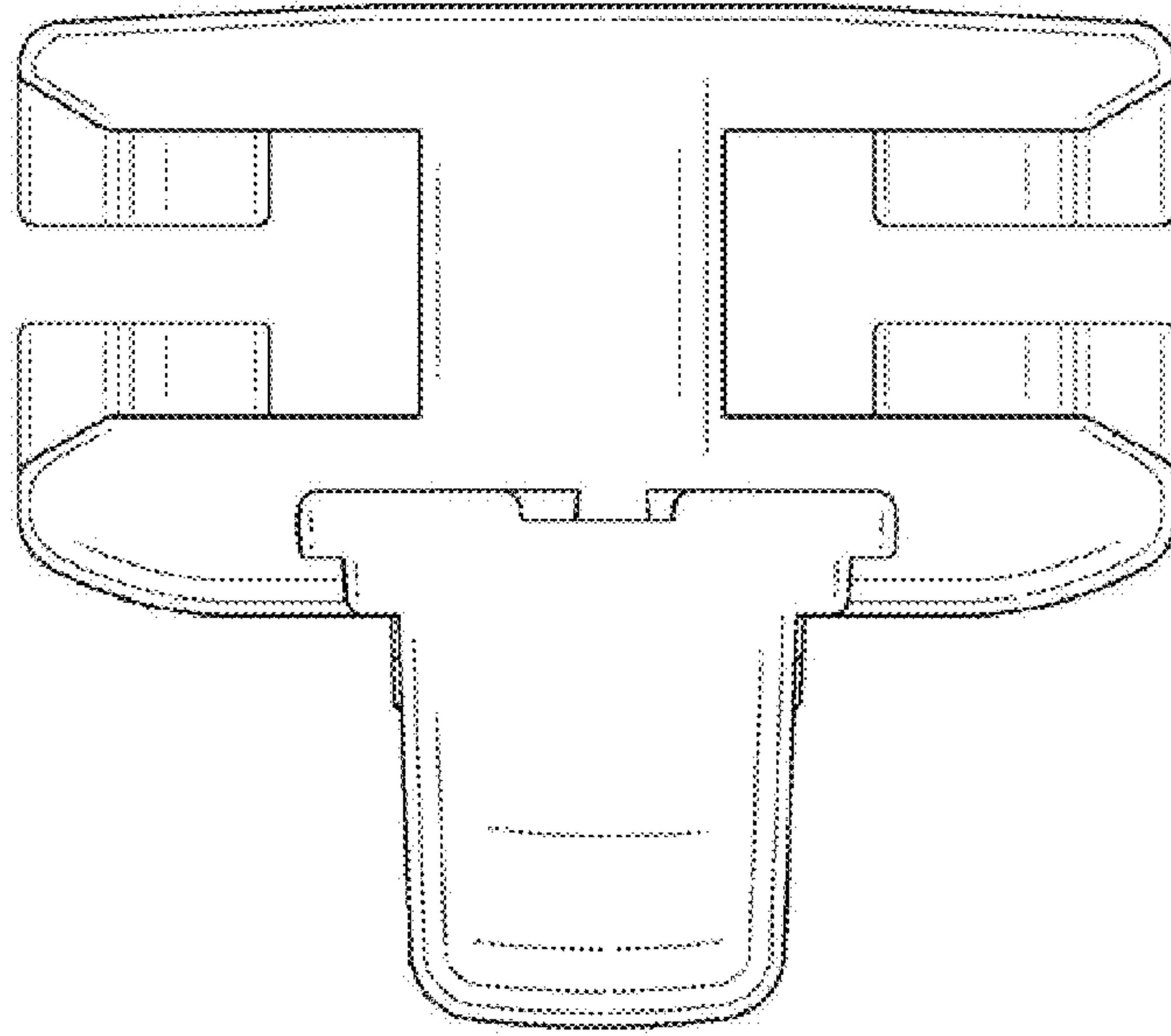


Fig. 5

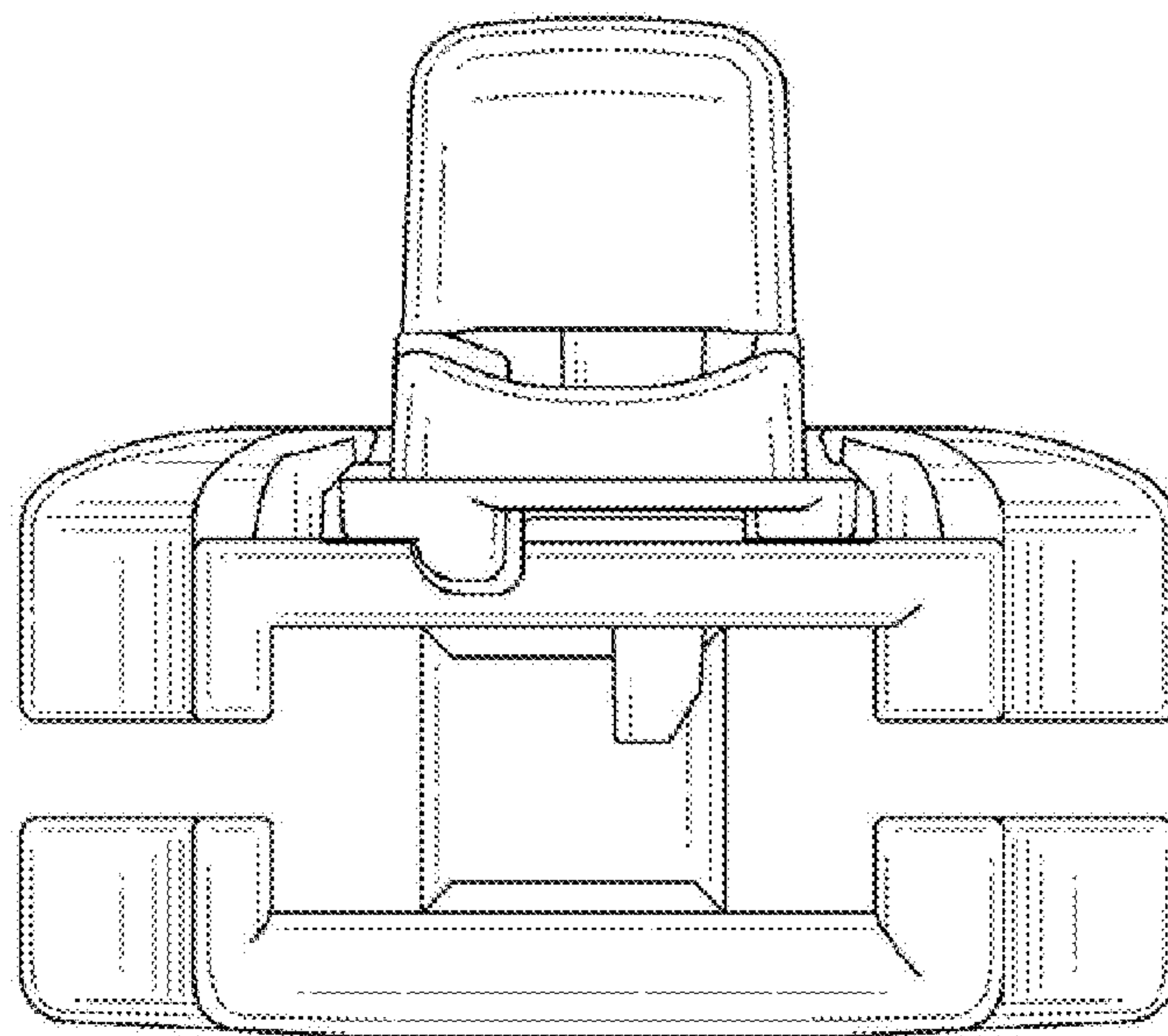




Fig. 6

