



US00D653160S

(12) **United States Design Patent**  
**Ford**

(10) **Patent No.:** **US D653,160 S**  
(45) **Date of Patent:** **\*\* Jan. 31, 2012**

(54) **FLOWER CAGE**

(76) Inventor: **Anthony G. Ford**, Paragould, AR (US)

(\*\*) Term: **14 Years**

(21) Appl. No.: **29/384,531**

(22) Filed: **Jan. 31, 2011**

(51) **LOC (9) Cl.** ..... **11-02**

(52) **U.S. Cl.** ..... **D11/149; D6/404**

(58) **Field of Classification Search** ..... D6/403-405,  
D6/556-558; D8/1; D11/143-156, 164;  
D19/77, 80, 81; D25/100; D26/9-11, 16;  
D34/1, 2, 4-6; D99/5, 19; 47/32.4, 32.5,  
47/32.7, 33, 41.01, 41.1, 41.11-41.15, 44-47,  
47/65, 65.5, 65.9, 66.1, 66.2, 66.6, 66.7,  
47/67-71

See application file for complete search history.

(56) **References Cited**

**U.S. PATENT DOCUMENTS**

248,519	A *	10/1881	Snyder	47/41.01
274,006	A *	3/1883	Kuehn	47/41.01
397,732	A *	2/1889	Landis	47/33
559,200	A	4/1896	Parmley	
600,313	A	3/1898	Hayes	
1,344,526	A	6/1920	Garner	
1,704,096	A	3/1929	Mayhugh	
D103,769	S	3/1937	Spencer	
2,366,377	A *	1/1945	Zois	47/41.12
D193,583	S	9/1962	Niles, III	

D223,379	S	4/1972	Tong	
D236,365	S	8/1975	Fox	
3,992,812	A *	11/1976	Horowitz	47/45
4,092,801	A *	6/1978	Schoenherr et al.	47/41.12
D308,029	S	5/1990	Kladt	
5,588,253	A *	12/1996	Boodley et al.	47/41.12
D388,737	S	1/1998	Branson	
6,688,040	B1 *	2/2004	Yang	47/41.1
D555,535	S	11/2007	Mantor	
D564,938	S	3/2008	Schissler	

\* cited by examiner

*Primary Examiner* — Garth Rademaker

(74) *Attorney, Agent, or Firm* — QuickPatents, Inc.; Kevin Prince

(57) **CLAIM**

I claim the ornamental design for a flower cage, as shown and described.

**DESCRIPTION**

FIG. 1 is a front perspective view of a flower cage, showing the new design;

FIG. 2 is an exploded perspective view thereof;

FIG. 3 is a front elevational view thereof;

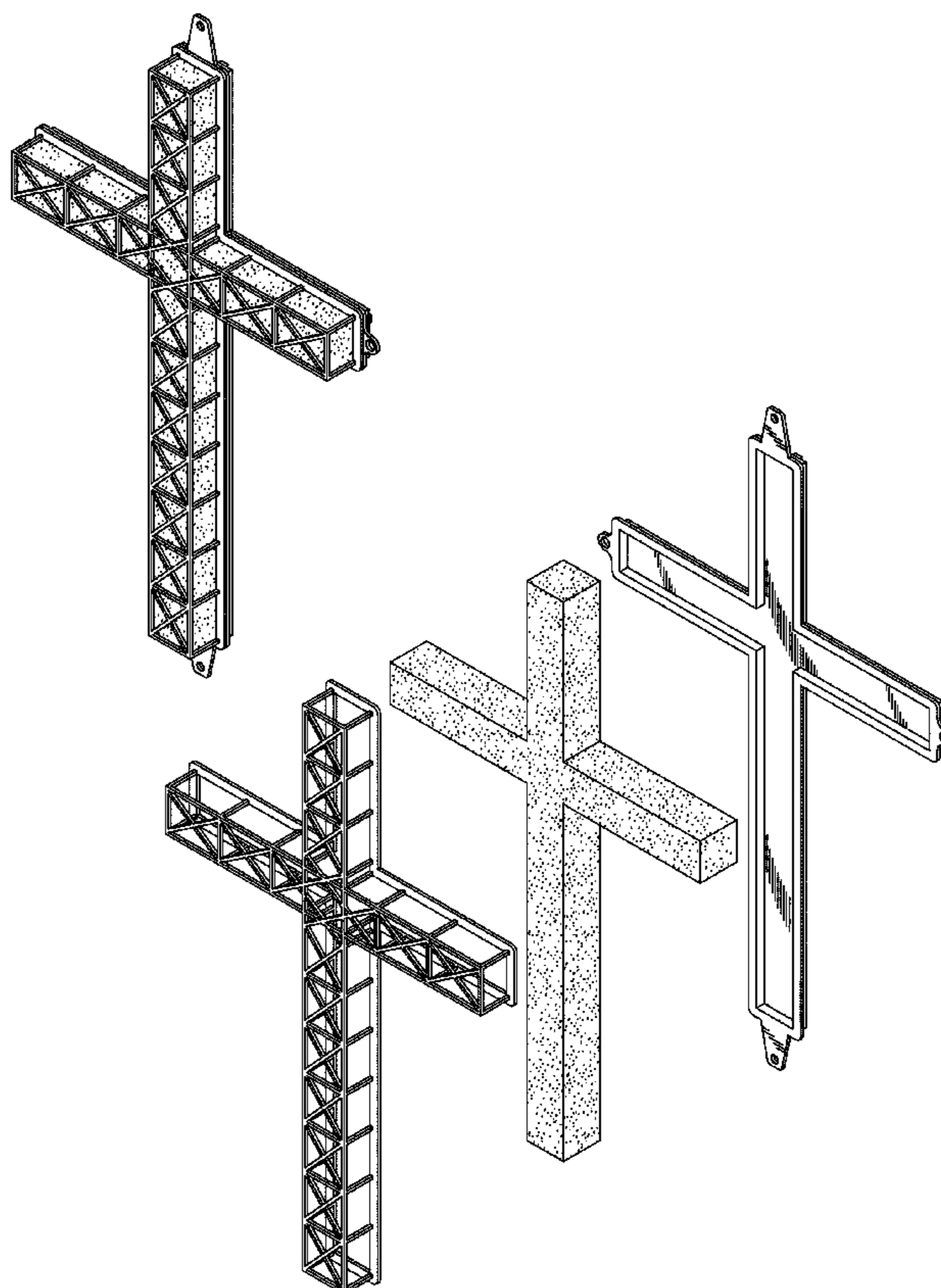
FIG. 4 is a left-side elevational view thereof, the right-side elevational view being a mirror image thereof;

FIG. 5 is a top plan view thereof, the bottom plan view being a mirror image thereof;

FIG. 6 is a rear elevational view thereof; and,

FIG. 7 is a rear perspective view thereof.

**1 Claim, 3 Drawing Sheets**



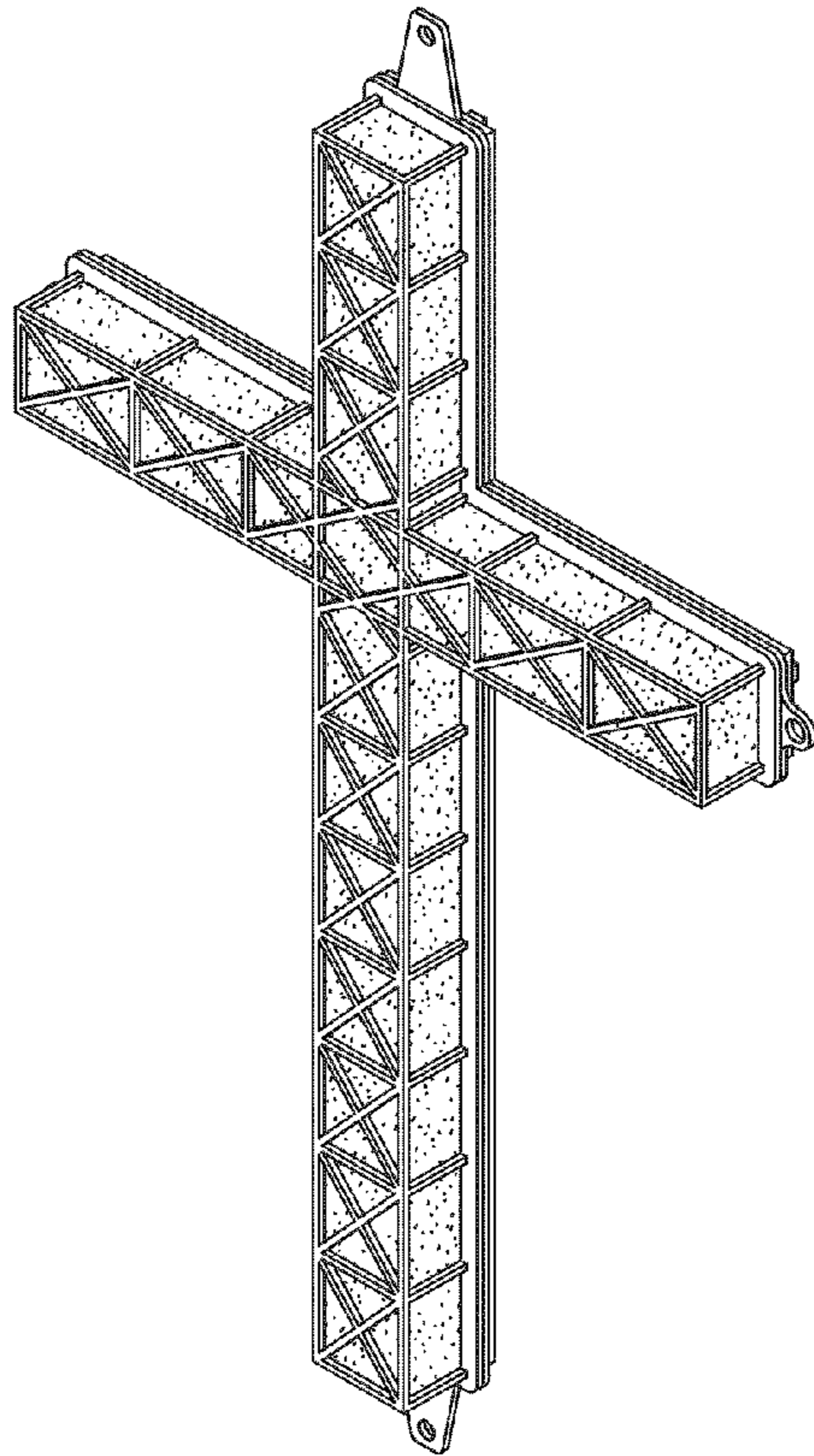


FIG. 1

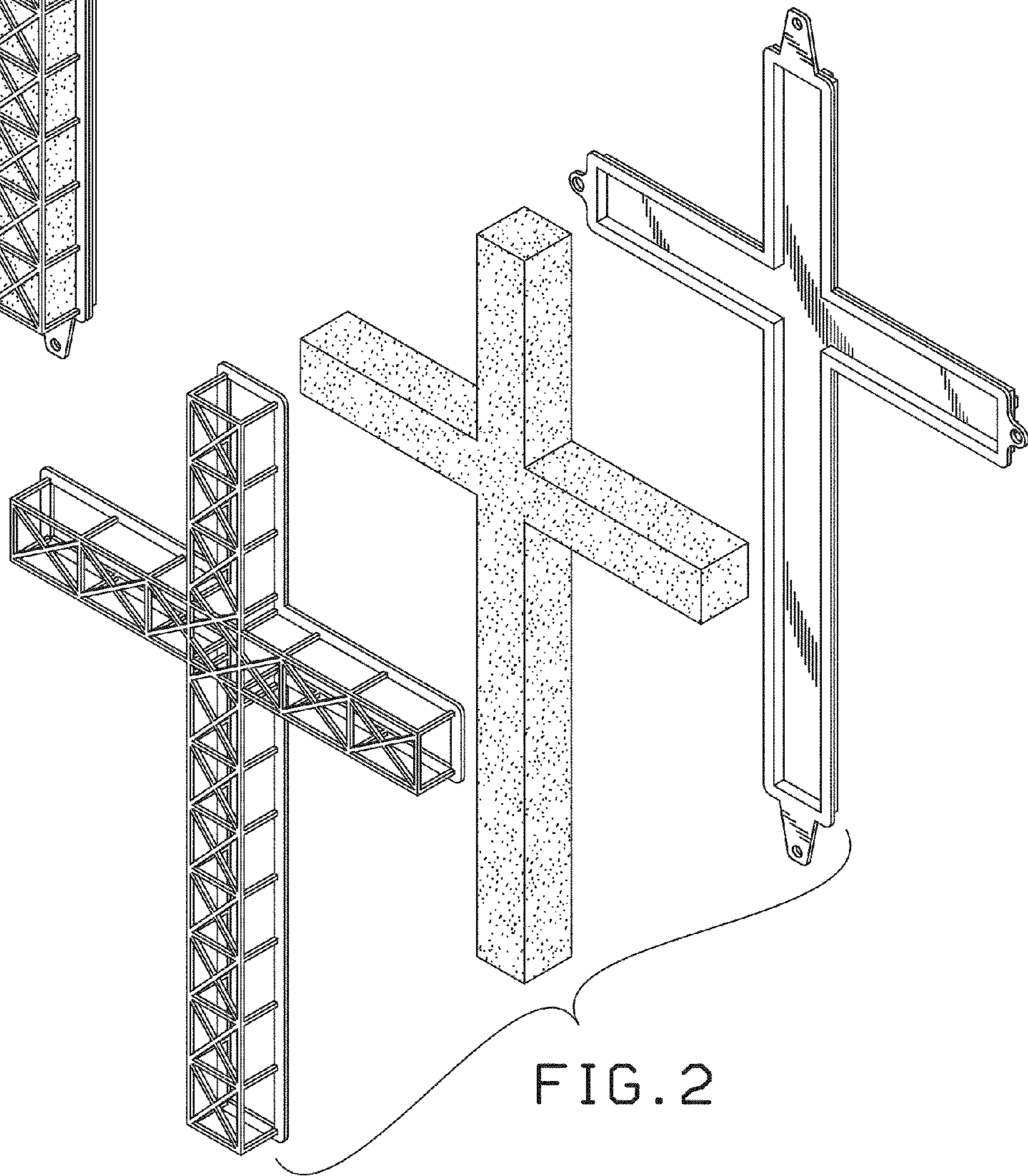


FIG. 2

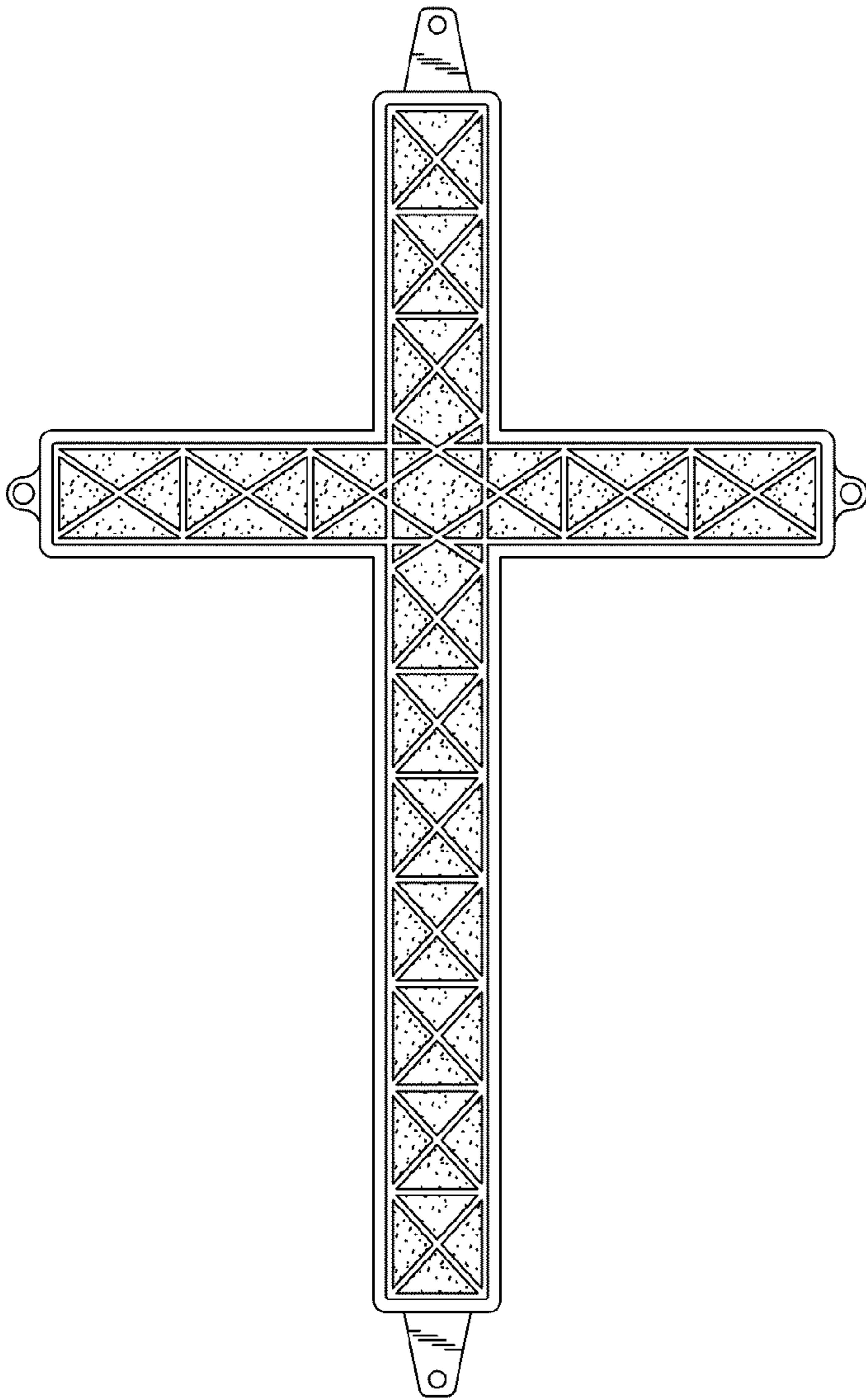


FIG. 3

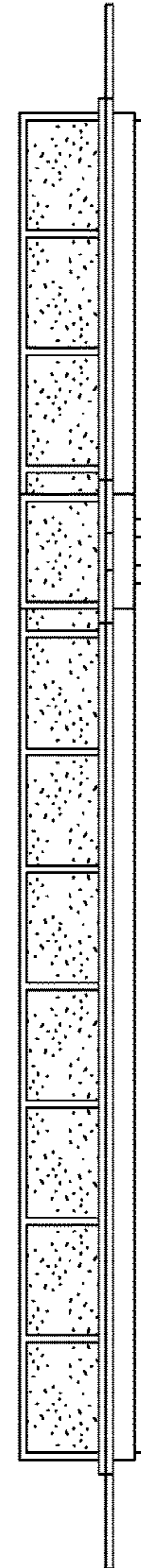


FIG. 4

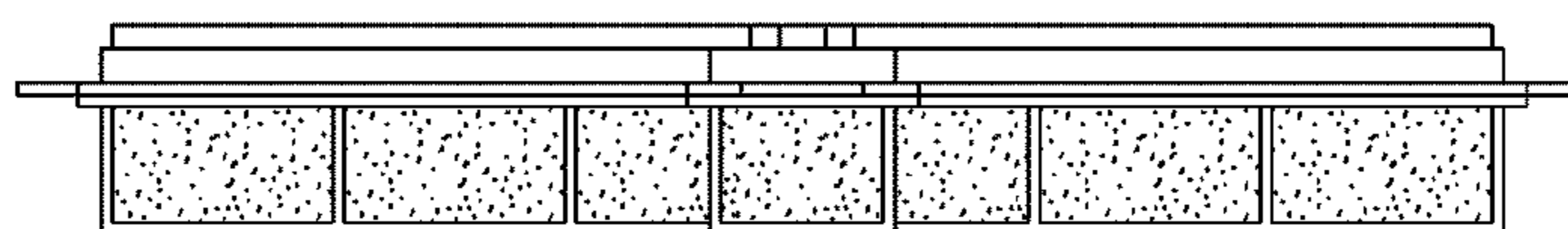


FIG. 5

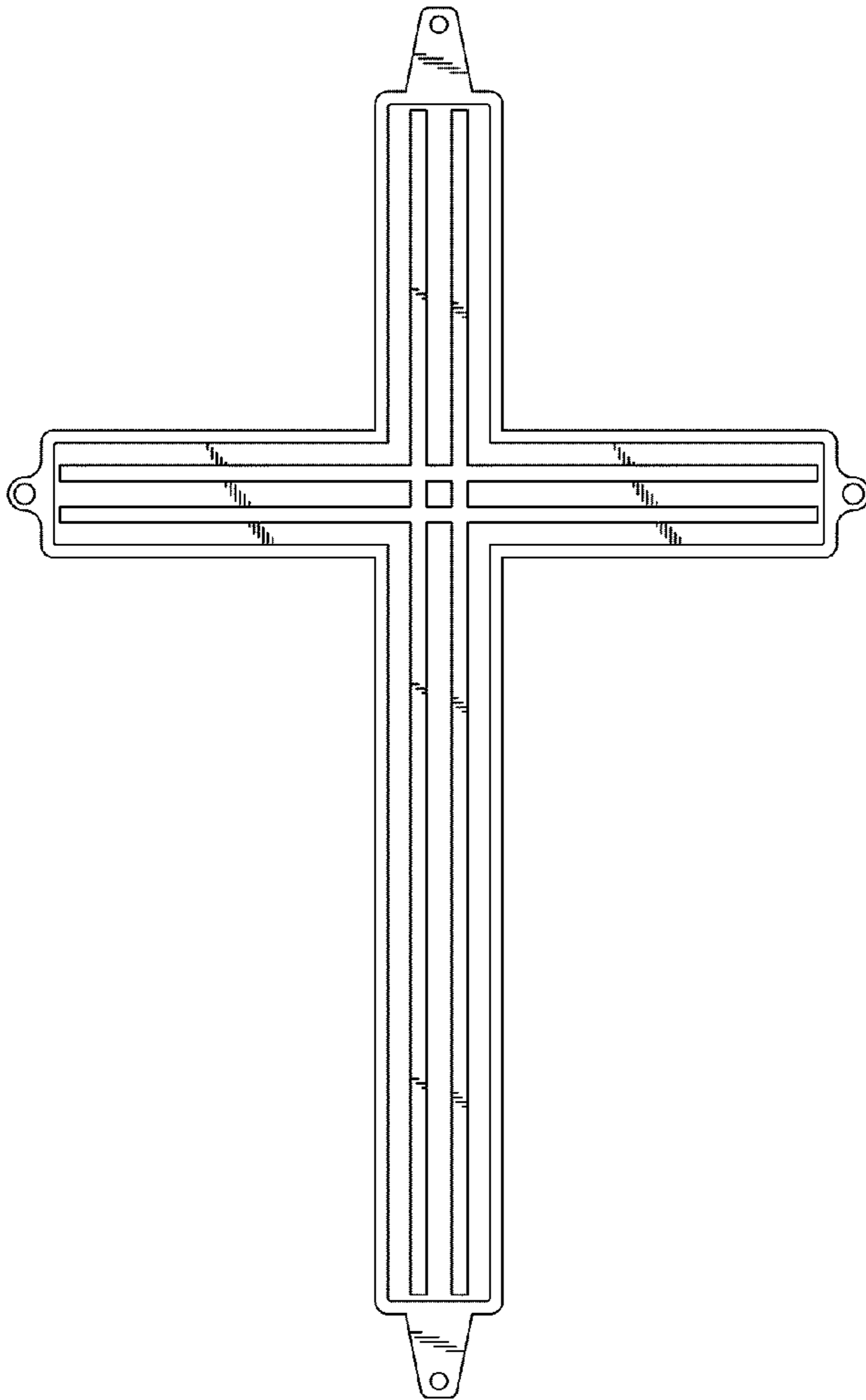


FIG. 6

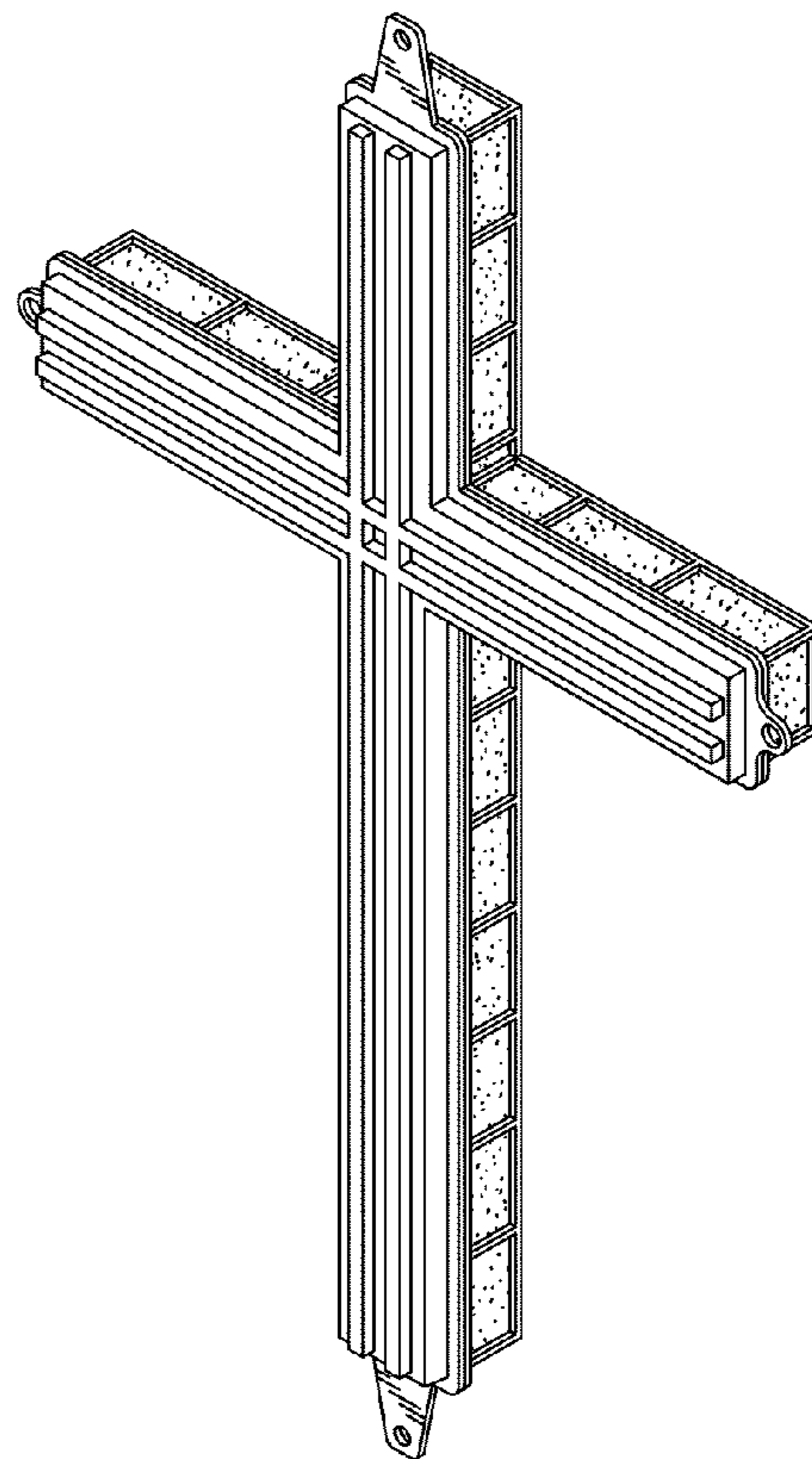


FIG. 7