



US00D653158S

(12) **United States Design Patent**  
**Wardenburg**

(10) **Patent No.:** **US D653,158 S**  
(45) **Date of Patent:** **\*\* Jan. 31, 2012**

(54) **PLANT TRAY DOME**

(75) Inventor: **Peter Wardenburg**, Petaluma, CA (US)

(73) Assignee: **Hydrofarm, Inc.**, Petaluma, CA (US)

(\*\*) Term: **14 Years**

(21) Appl. No.: **29/394,333**

(22) Filed: **Jun. 15, 2011**

**Related U.S. Application Data**

(62) Division of application No. 29/360,464, filed on Apr. 26, 2010, now Pat. No. Des. 641,656.

(51) **LOC (9) Cl.** ..... **11-02**

(52) **U.S. Cl.** ..... **D11/145; D11/155**

(58) **Field of Classification Search** ..... D6/403-405,  
D6/556-558; D8/1; D11/143-156, 164;  
D19/77, 80, 81; D25/100; D26/9-11, 16;  
D34/1, 2, 4-6; D99/5, 19; 47/32.4, 32.5,  
47/32.7, 33, 41.01, 41.1, 41.11-41.15, 44-47,  
47/65, 65.5, 65.9, 66.1, 66.2, 66.6, 66.7,  
47/67-71

See application file for complete search history.

(56) **References Cited**

**U.S. PATENT DOCUMENTS**

2,722,778 A \* 11/1955 Carufel ..... 47/14  
3,082,575 A \* 3/1963 Schulz ..... 47/73

4,291,494 A \* 9/1981 Knablein et al. .... 47/69  
D352,917 S \* 11/1994 DesLaurier ..... D11/155  
5,548,924 A \* 8/1996 Mekler ..... 47/69  
D409,947 S \* 5/1999 Bongard et al. .... D11/155  
D489,288 S \* 5/2004 Balsdon ..... D11/155  
D596,527 S \* 7/2009 Kertz ..... D11/145  
D606,451 S \* 12/2009 Kertz ..... D11/145  
D641,656 S \* 7/2011 Wardenburg ..... D11/145  
D641,657 S \* 7/2011 Wardenburg ..... D11/145  
D642,492 S \* 8/2011 Wardenburg ..... D11/145

\* cited by examiner

*Primary Examiner* — Garth Rademaker

(74) *Attorney, Agent, or Firm* — Craig M. Stainbrook;  
Stainbrook & Stainbrook, LLP

(57) **CLAIM**

The ornamental design for a plant tray dome, as shown and described.

**DESCRIPTION**

FIG. 1 is a top, front, right side perspective view of a plant tray dome;

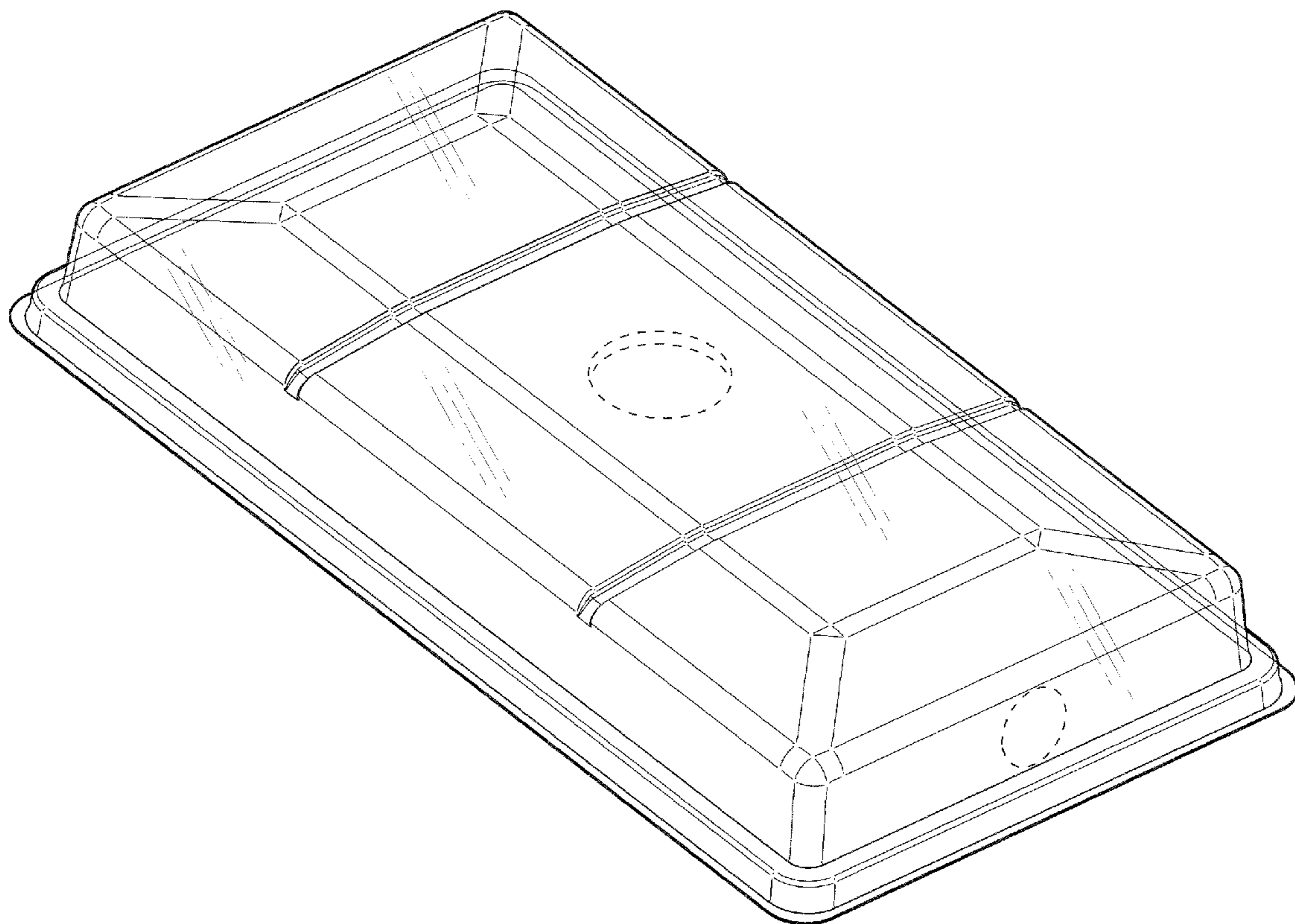
FIG. 2 is a right side elevation view thereof, the left side elevation view being a mirror image thereof;

FIG. 3 is a front elevation view thereof; and,

FIG. 4 is a top plan view thereof.

The broken lines depict environmental subject matter only and form no part of the claimed design.

**1 Claim, 2 Drawing Sheets**



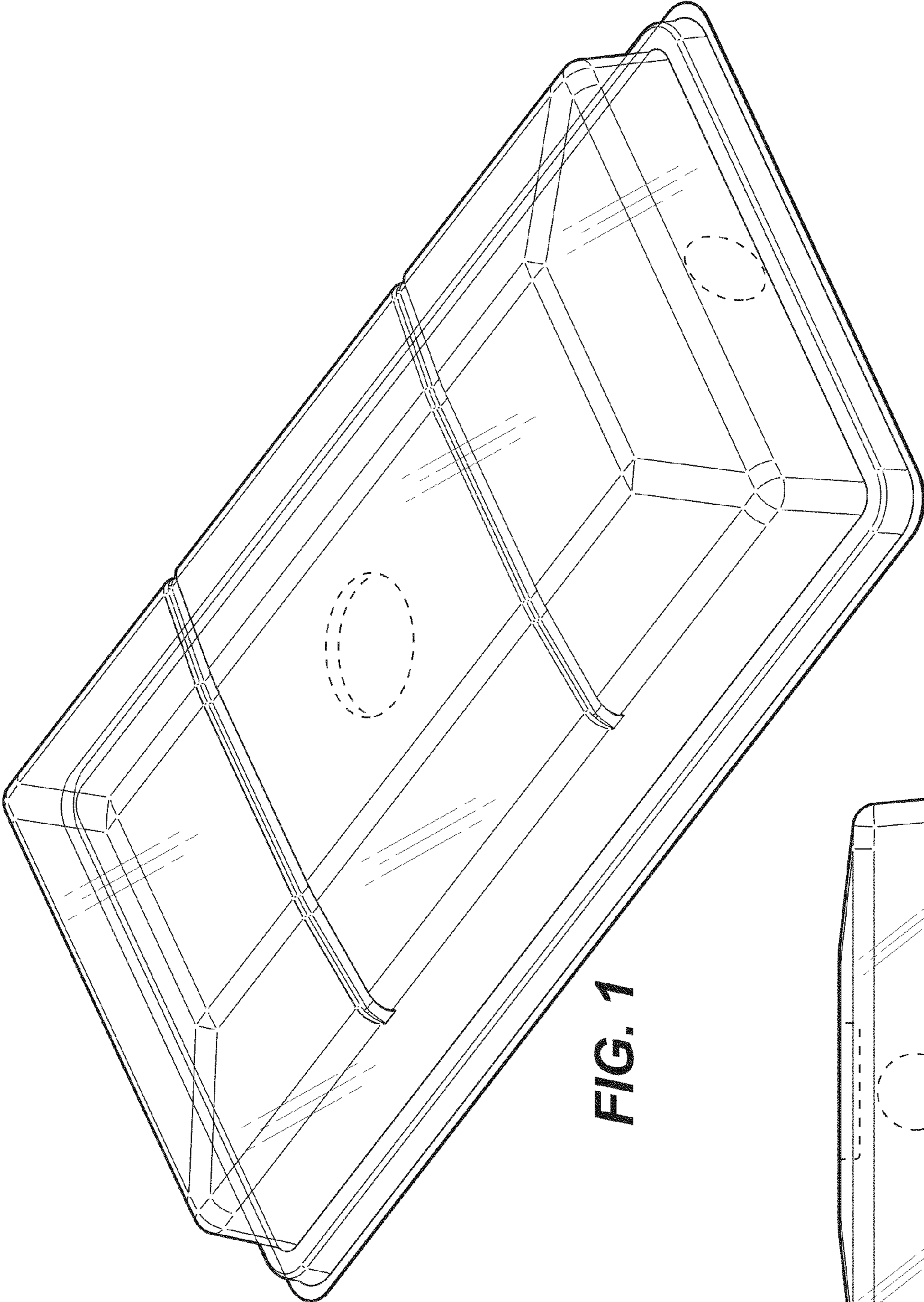


FIG. 1

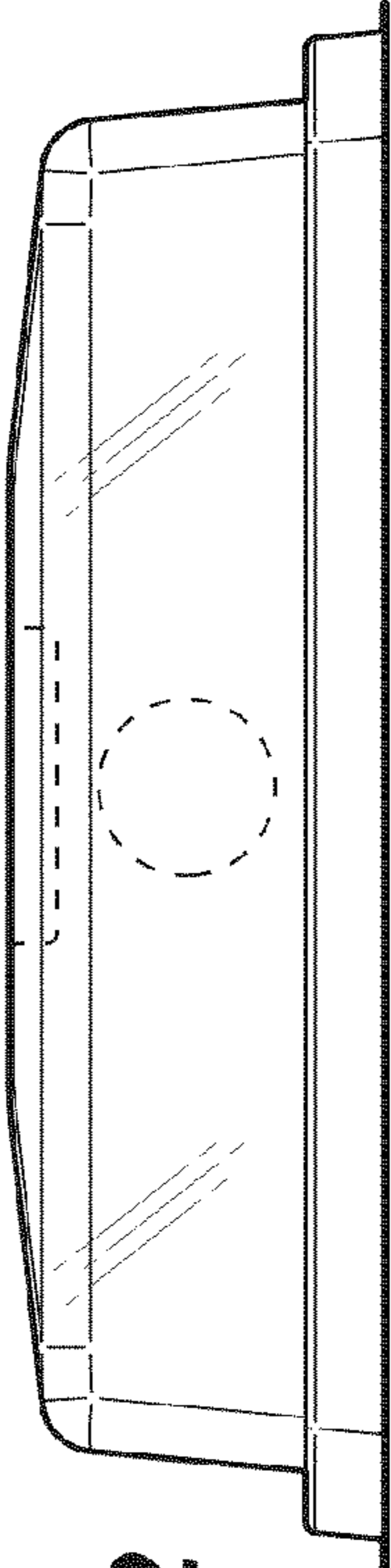


FIG. 2



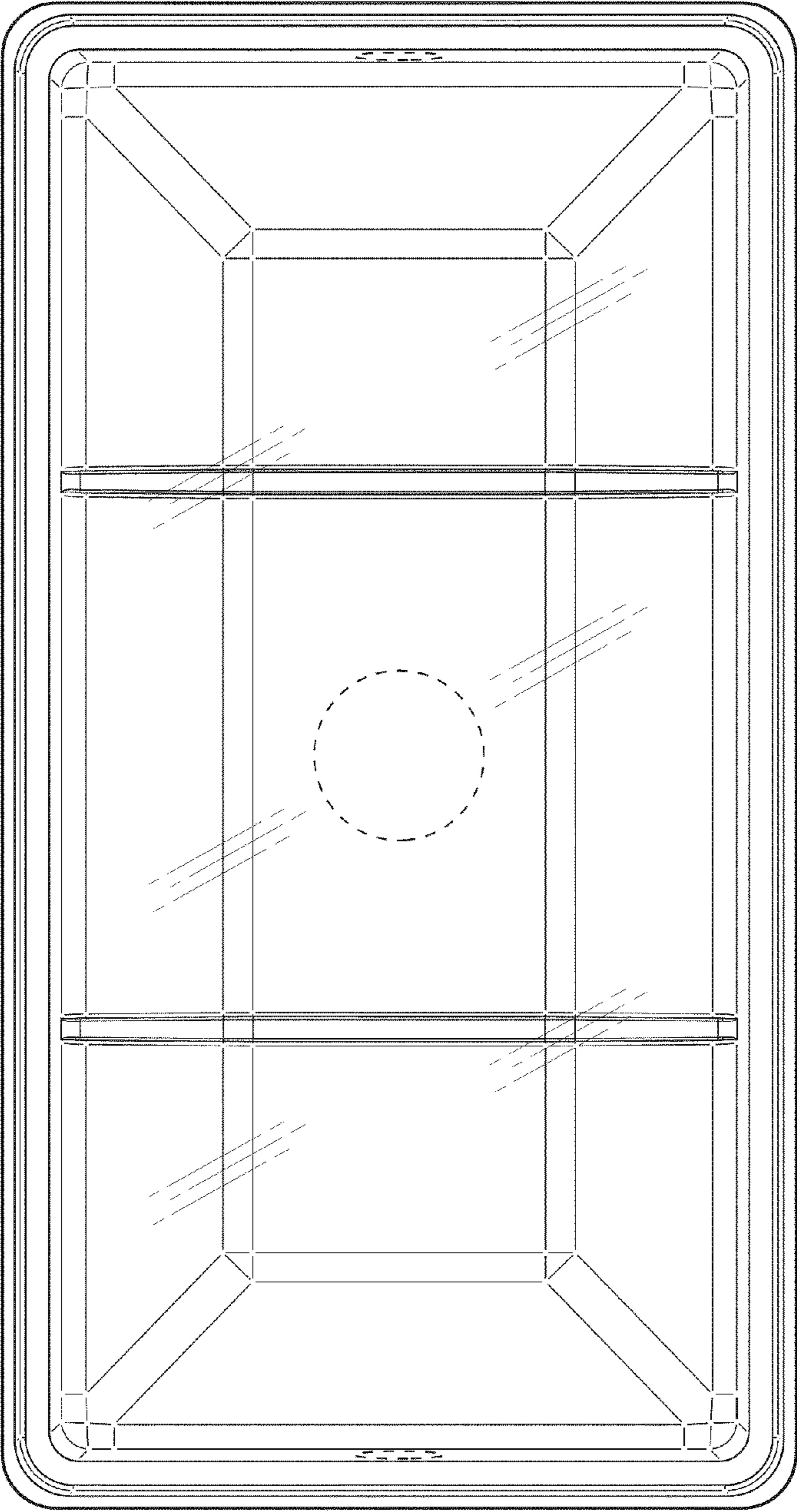


FIG. 4

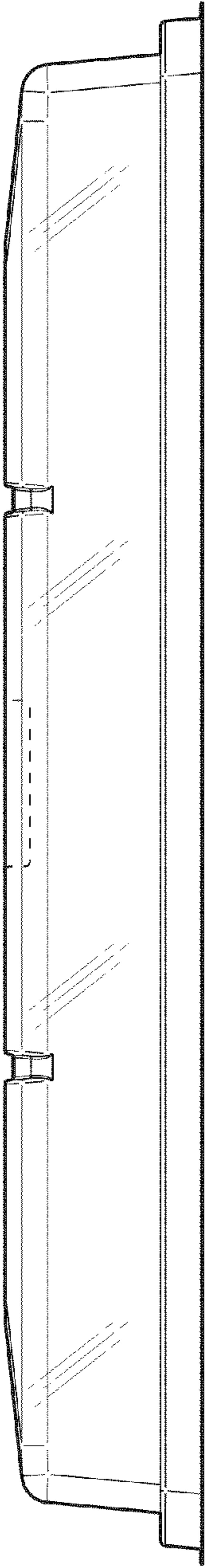


FIG. 3