



US00D653157S

(12) **United States Design Patent**  
**Wardenburg**

(10) **Patent No.:** **US D653,157 S**

(45) **Date of Patent:** **\*\* Jan. 31, 2012**

(54) **PLANT TRAY DOME**

(75) Inventor: **Peter Wardenburg**, Petaluma, CA (US)

(73) Assignee: **Hydrofarm, Inc.**, Petaluma, CA (US)

(\*\*) Term: **14 Years**

(21) Appl. No.: **29/394,222**

(22) Filed: **Jun. 14, 2011**

**Related U.S. Application Data**

(62) Division of application No. 29/360,462, filed on Apr. 26, 2010, now Pat. No. Des. 642,492.

(51) **LOC (9) Cl.** ..... **11-02**

(52) **U.S. Cl.** ..... **D11/145; D11/155**

(58) **Field of Classification Search** ..... D6/403-405,  
D6/556-558; D8/1; D11/143-156, 164;  
D19/77, 80, 81; D25/100; D26/9-11, 16;  
D34/1, 2, 4-6; D99/5, 19; 47/32.4, 32.5,  
47/32.7, 33, 41.01, 41.1, 41.11-41.15, 44-47,  
47/65, 65.5, 65.9, 66.1, 66.2, 66.6, 66.7,  
47/67-71

See application file for complete search history.

(56) **References Cited**

**U.S. PATENT DOCUMENTS**

2,722,778	A	*	11/1955	Carufel	.....	47/14
3,082,575	A	*	3/1963	Schulz	.....	47/73
4,291,494	A	*	9/1981	Knablein et al.	.....	47/69
D352,917	S	*	11/1994	DesLaurier	.....	D11/155
5,548,924	A	*	8/1996	Mekler	.....	47/69
D409,947	S	*	5/1999	Bongard et al.	.....	D11/155
D489,288	S	*	5/2004	Balsdon	.....	D11/155
D596,527	S	*	7/2009	Kertz	.....	D11/145

D606,451	S	*	12/2009	Kertz	.....	D11/145
D641,656	S	*	7/2011	Wardenburg	.....	D11/145
D641,657	S	*	7/2011	Wardenburg	.....	D11/145
D642,492	S	*	8/2011	Wardenburg	.....	D11/145

\* cited by examiner

*Primary Examiner* — Garth Rademaker

(74) *Attorney, Agent, or Firm* — Craig M. Stainbrook;  
Stainbrook & Stainbrook, LLP

(57) **CLAIM**

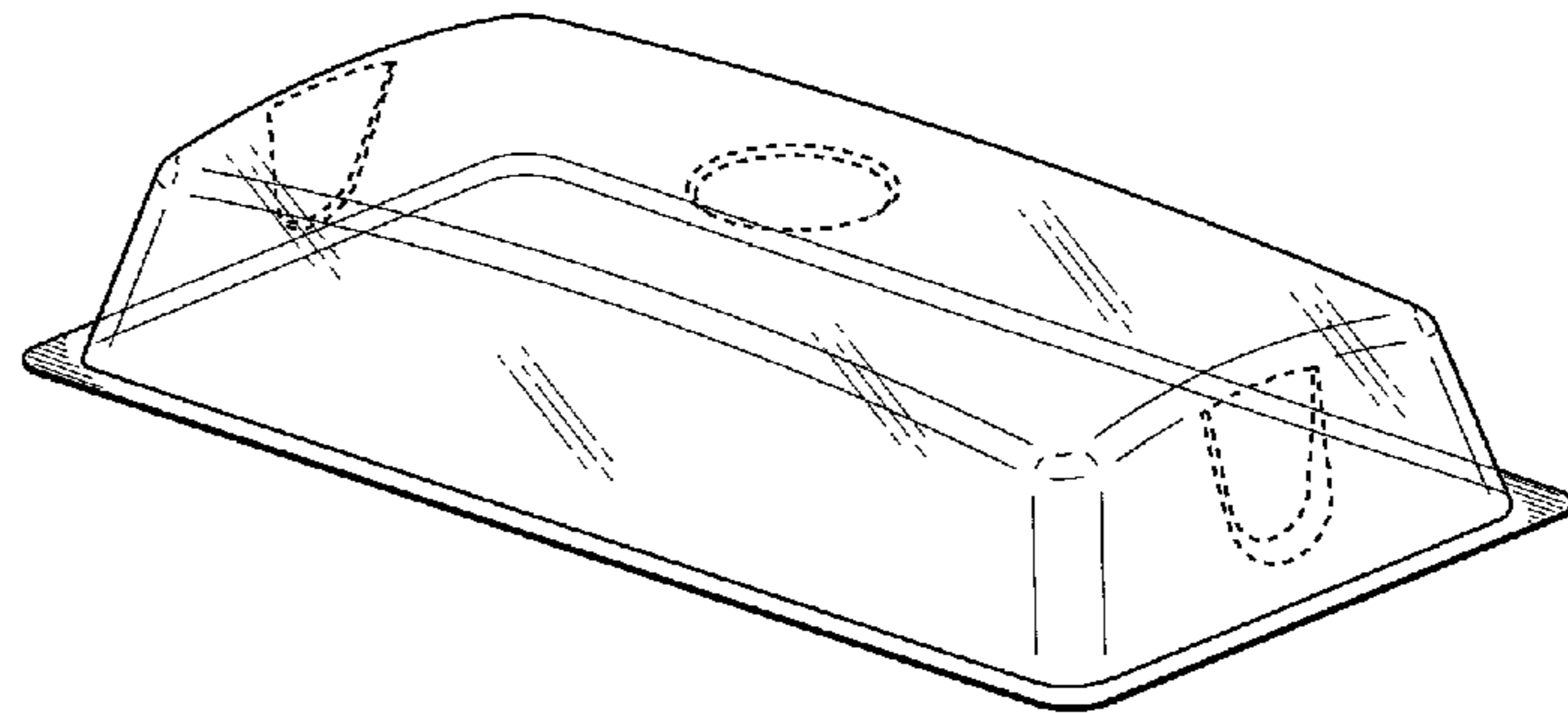
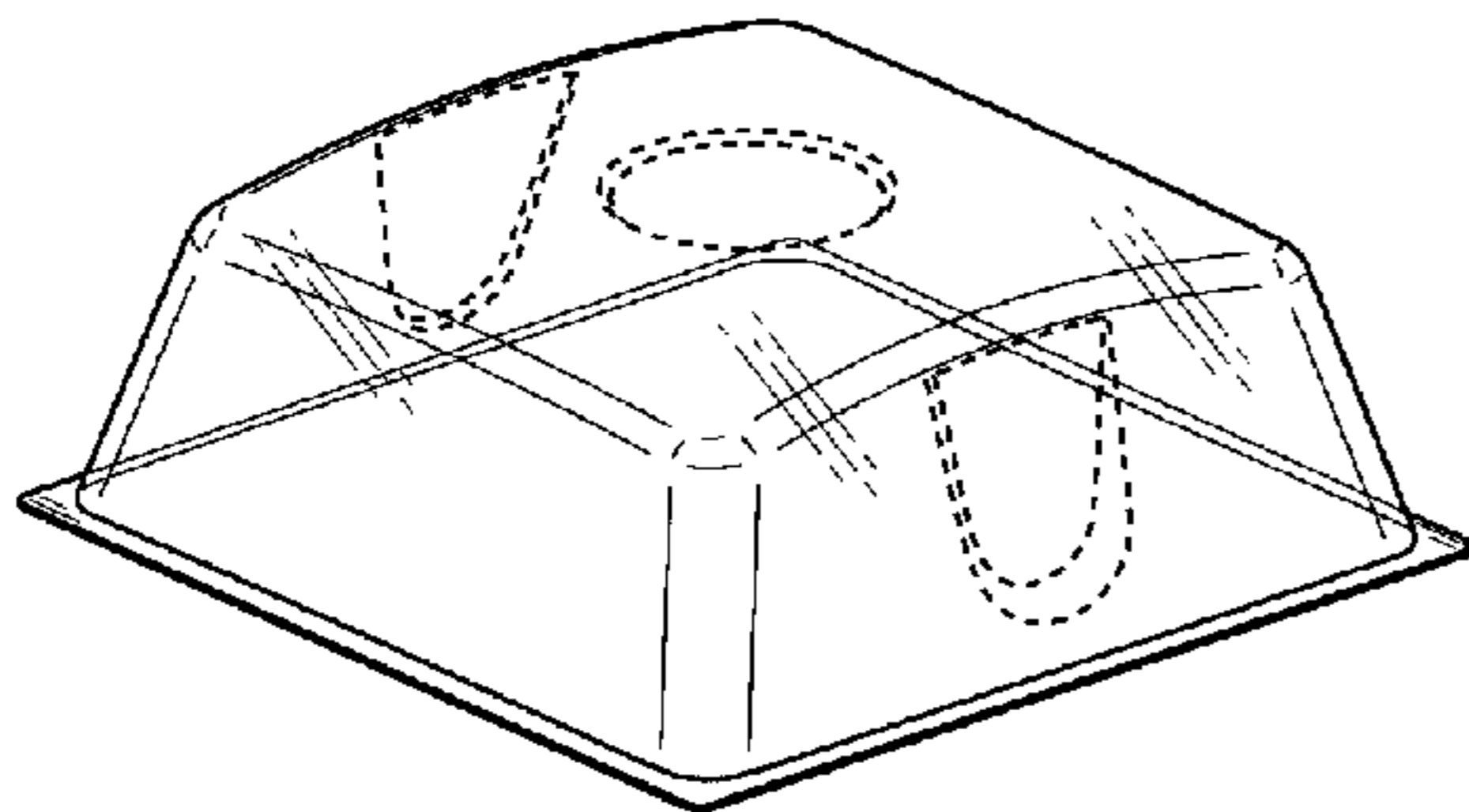
The ornamental design for a plant tray dome, as shown and described.

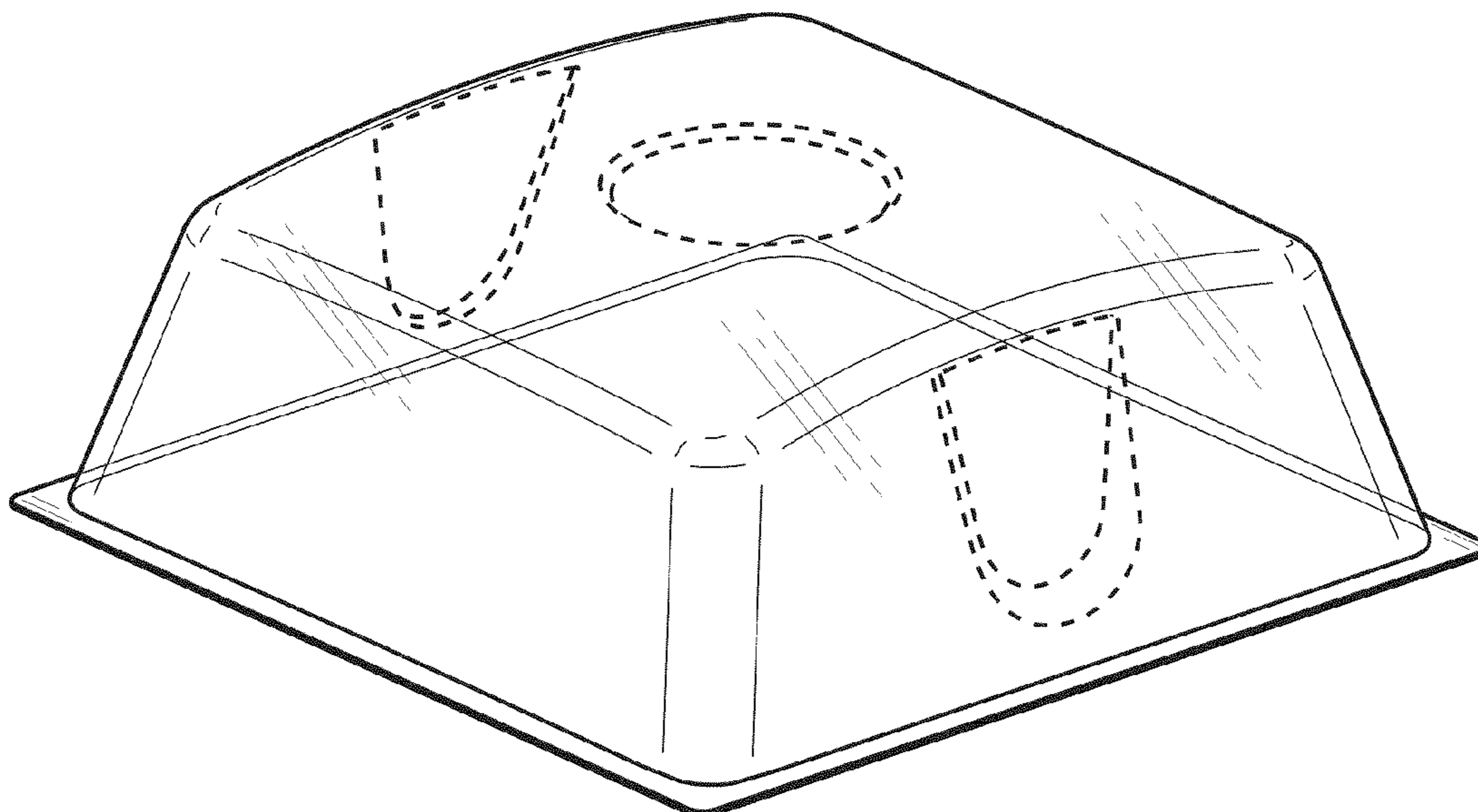
**DESCRIPTION**

FIG. 1 is an upper, right, front perspective view of a plant tray dome, showing a first embodiment of the new design;  
 FIG. 2 is a right side elevation view thereof, the left side elevation view being a mirror image thereof;  
 FIG. 3 is a front elevation view thereof;  
 FIG. 4 is a top plan view thereof;  
 FIG. 5 is an upper, right, front perspective view of a plant tray dome, showing a second embodiment of the new design;  
 FIG. 6 is a right side elevation view thereof, the left side elevation view being a mirror image thereof;  
 FIG. 7 is a front elevation view thereof;  
 FIG. 8 is a top plan view thereof;  
 FIG. 9 is an upper, right, front perspective view of a plant tray dome, showing a third embodiment of the new design;  
 FIG. 10 is a right side elevation view thereof, the left side elevation view being a mirror image thereof;  
 FIG. 11 is a front elevation view thereof; and,  
 FIG. 12 is a top plan view thereof.

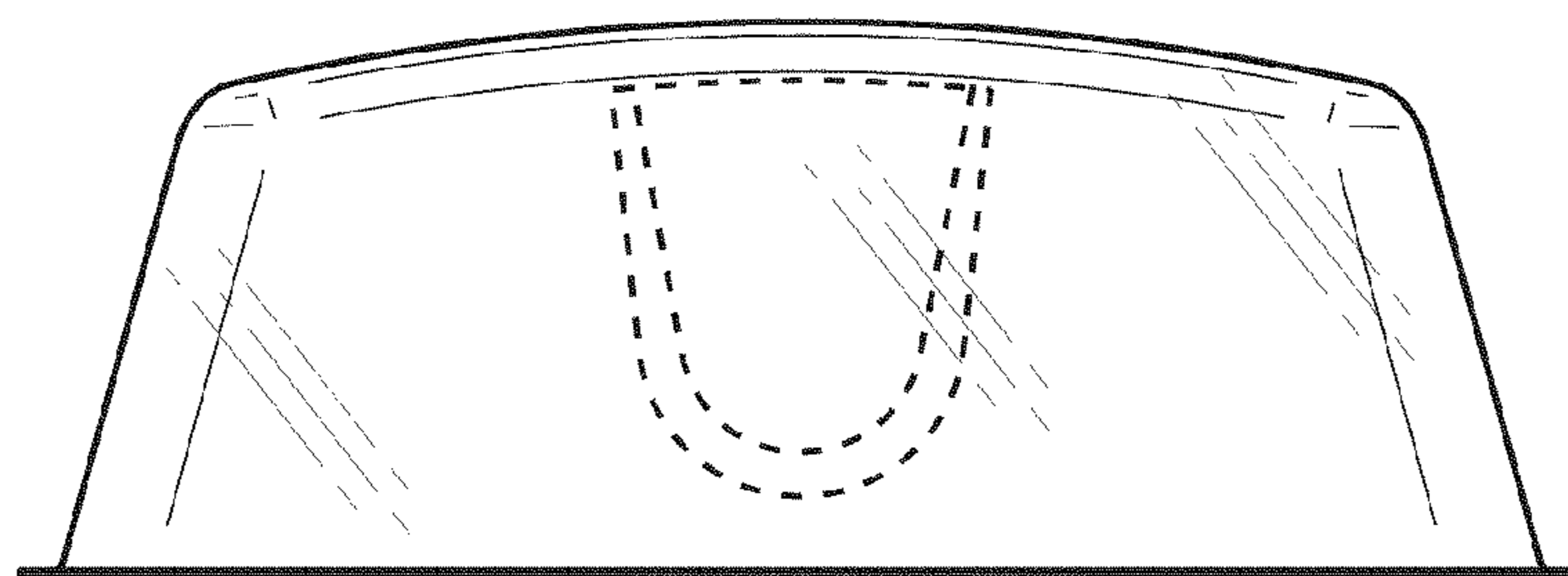
The broken lines depict environmental subject matter only and form no part of the claimed design.

**1 Claim, 6 Drawing Sheets**

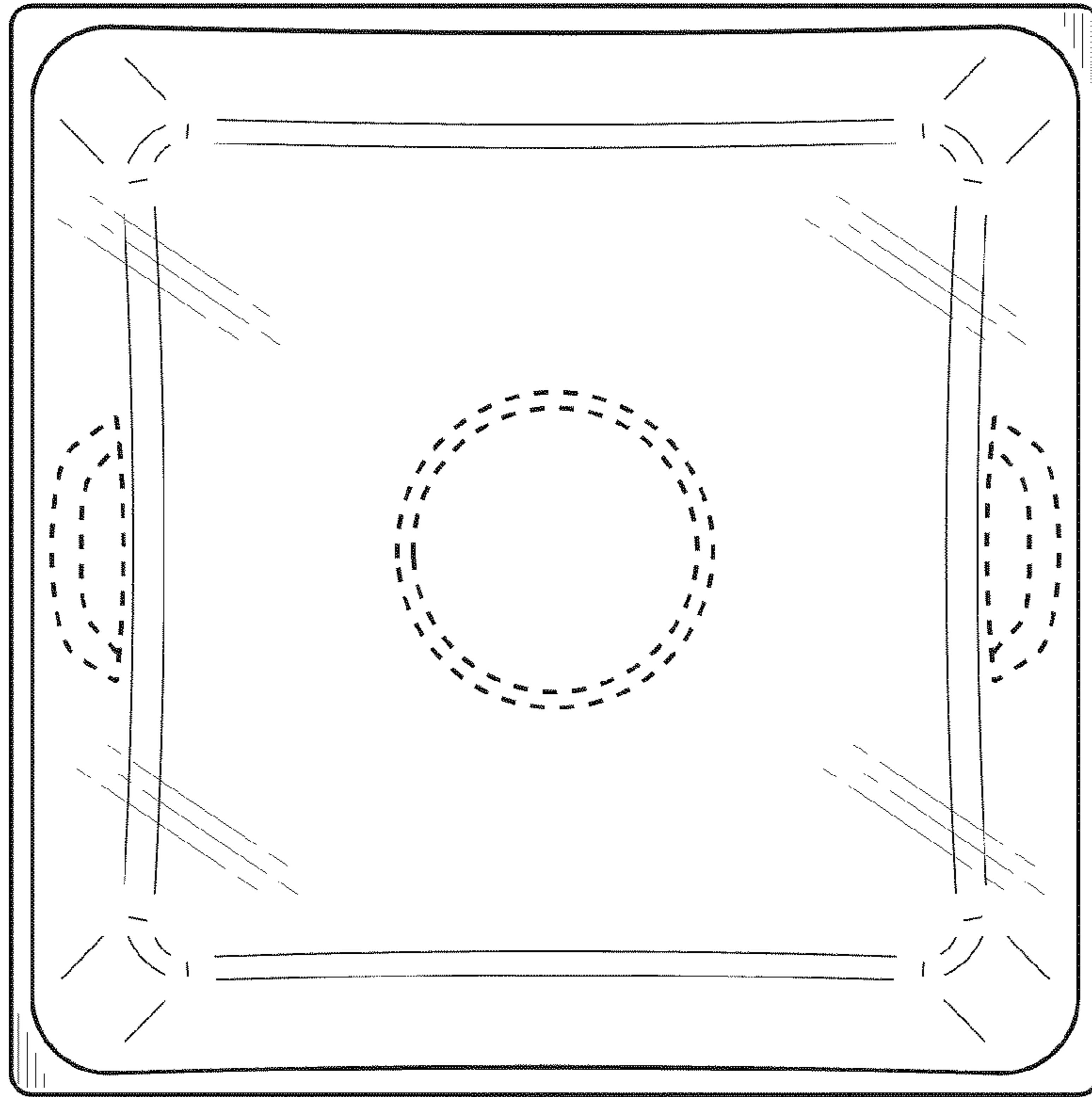




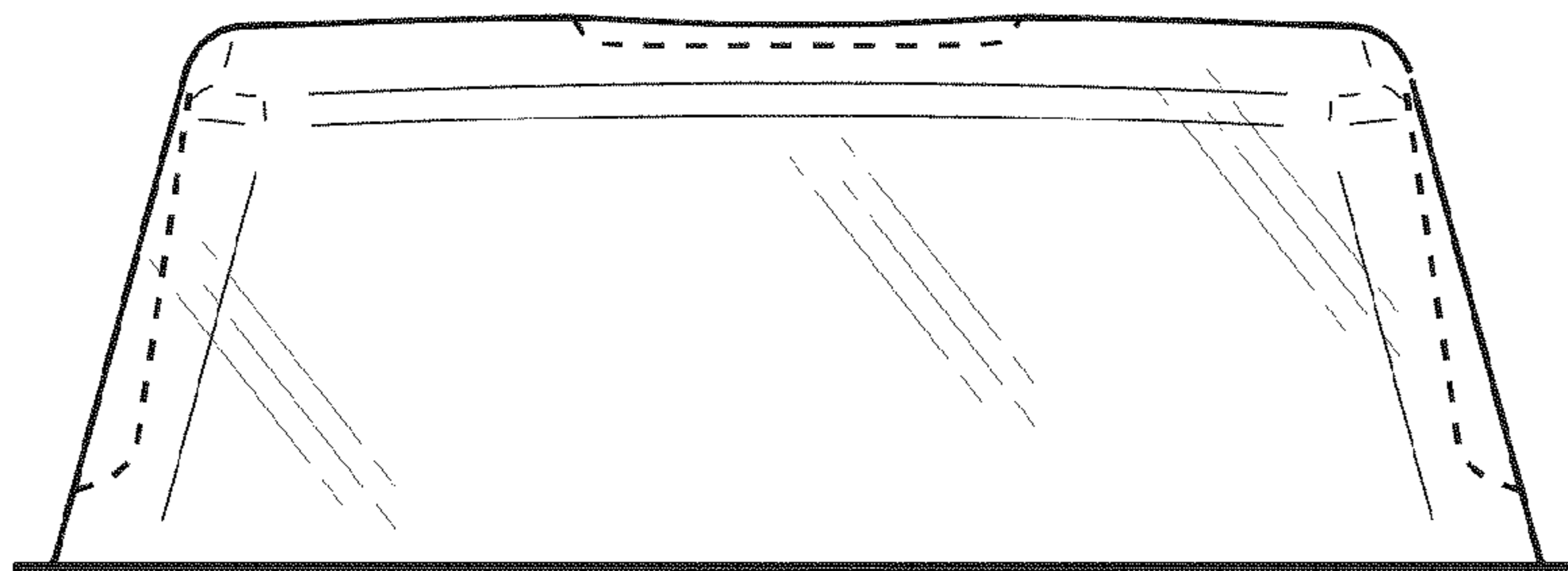
**FIG. 1**



**FIG. 2**



**FIG. 4**



**FIG. 3**

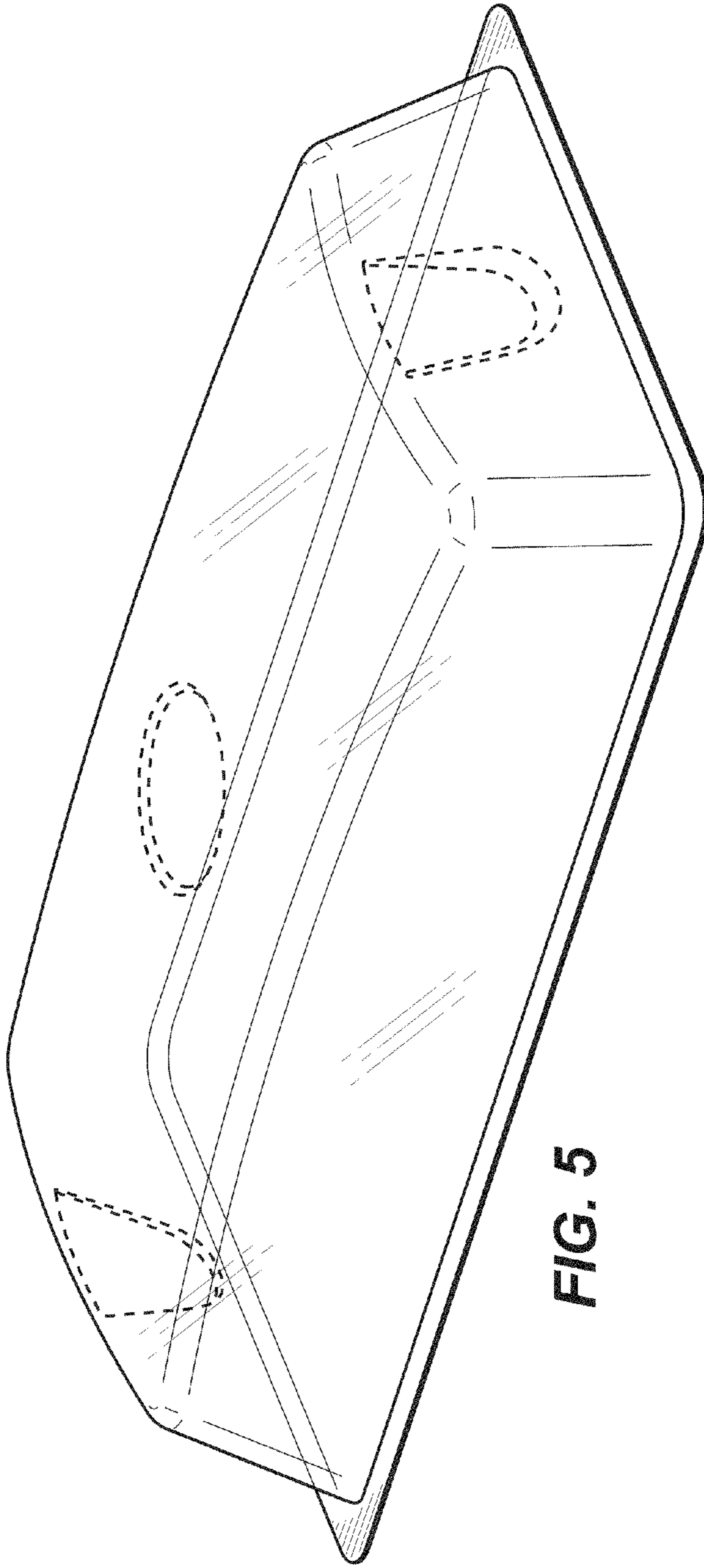


FIG. 5

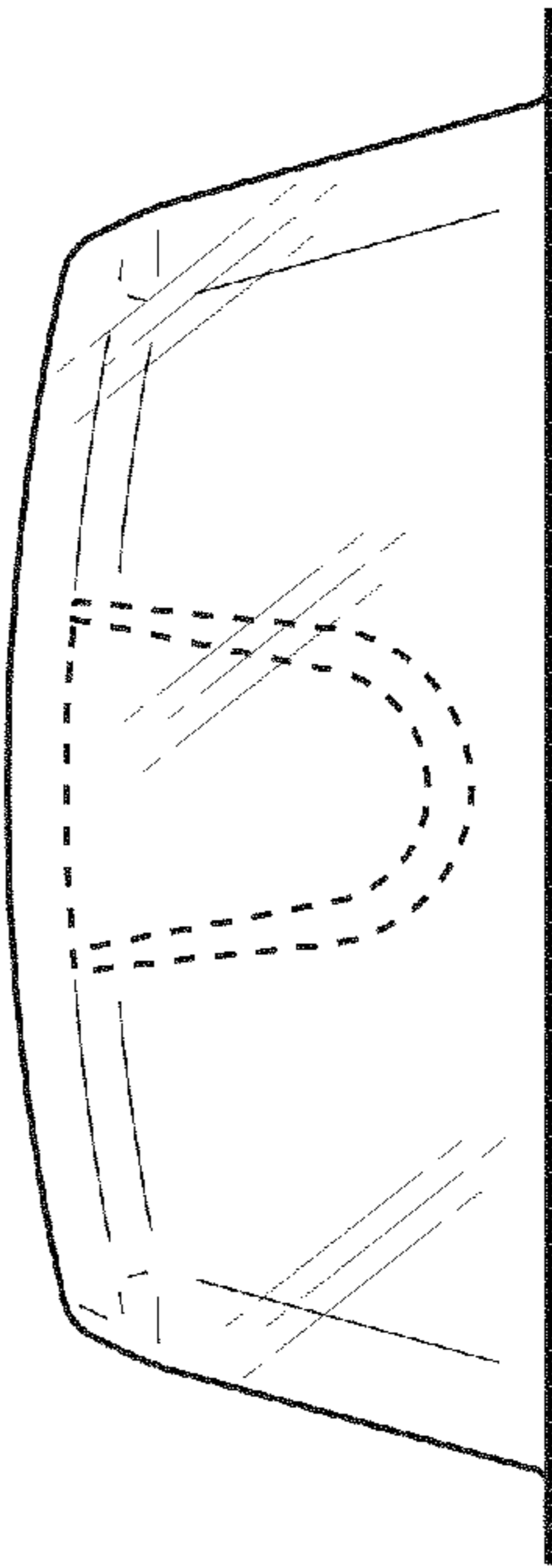


FIG. 6

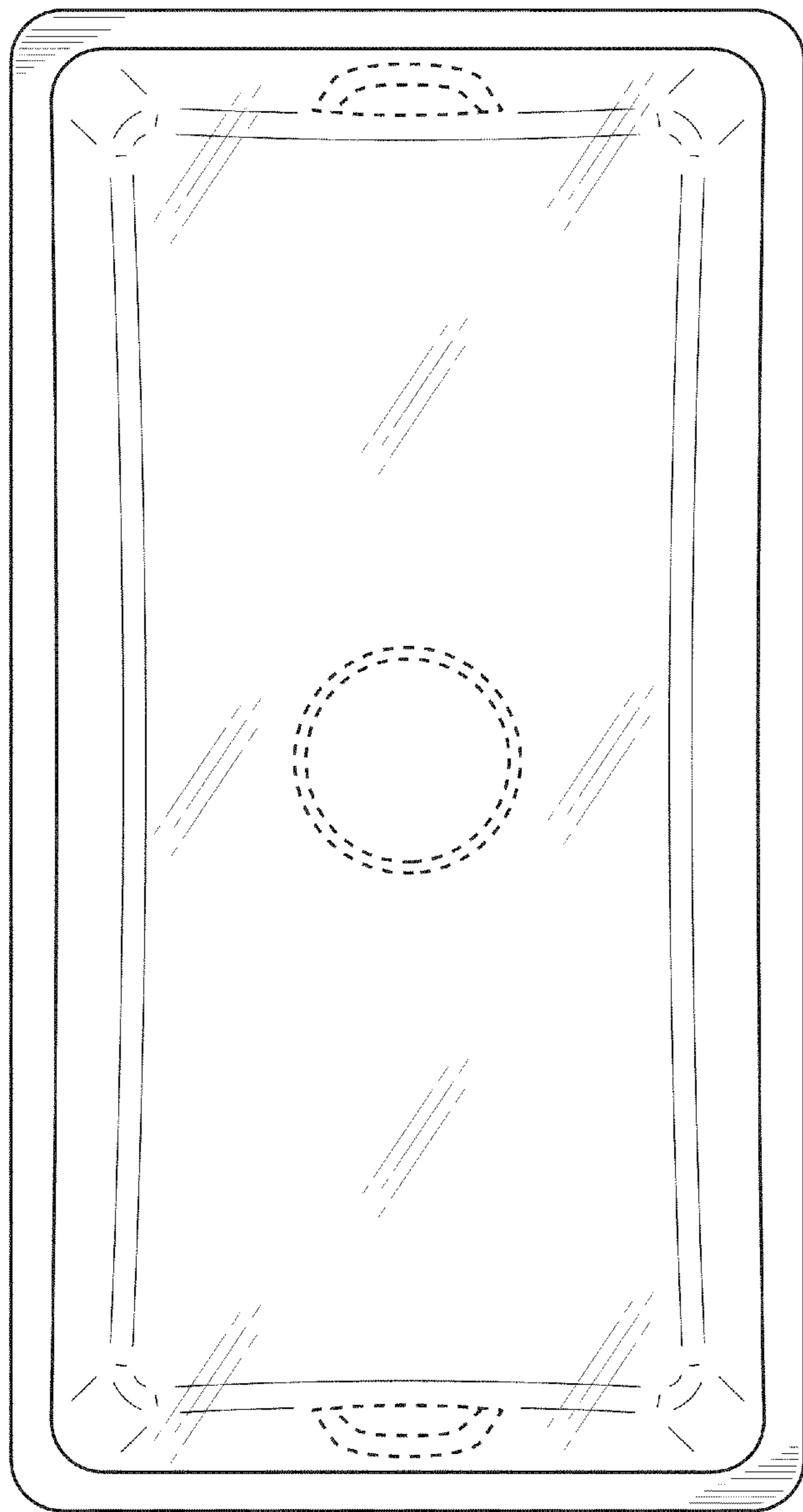


FIG. 8

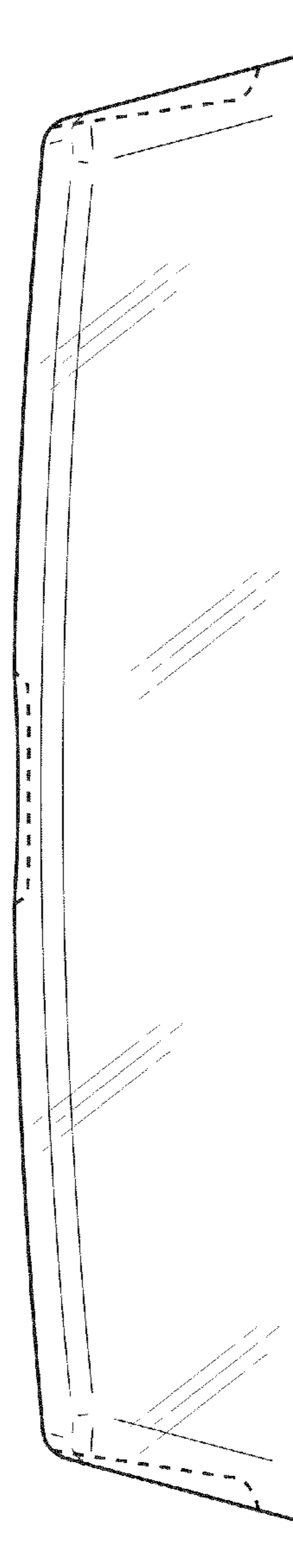


FIG. 7

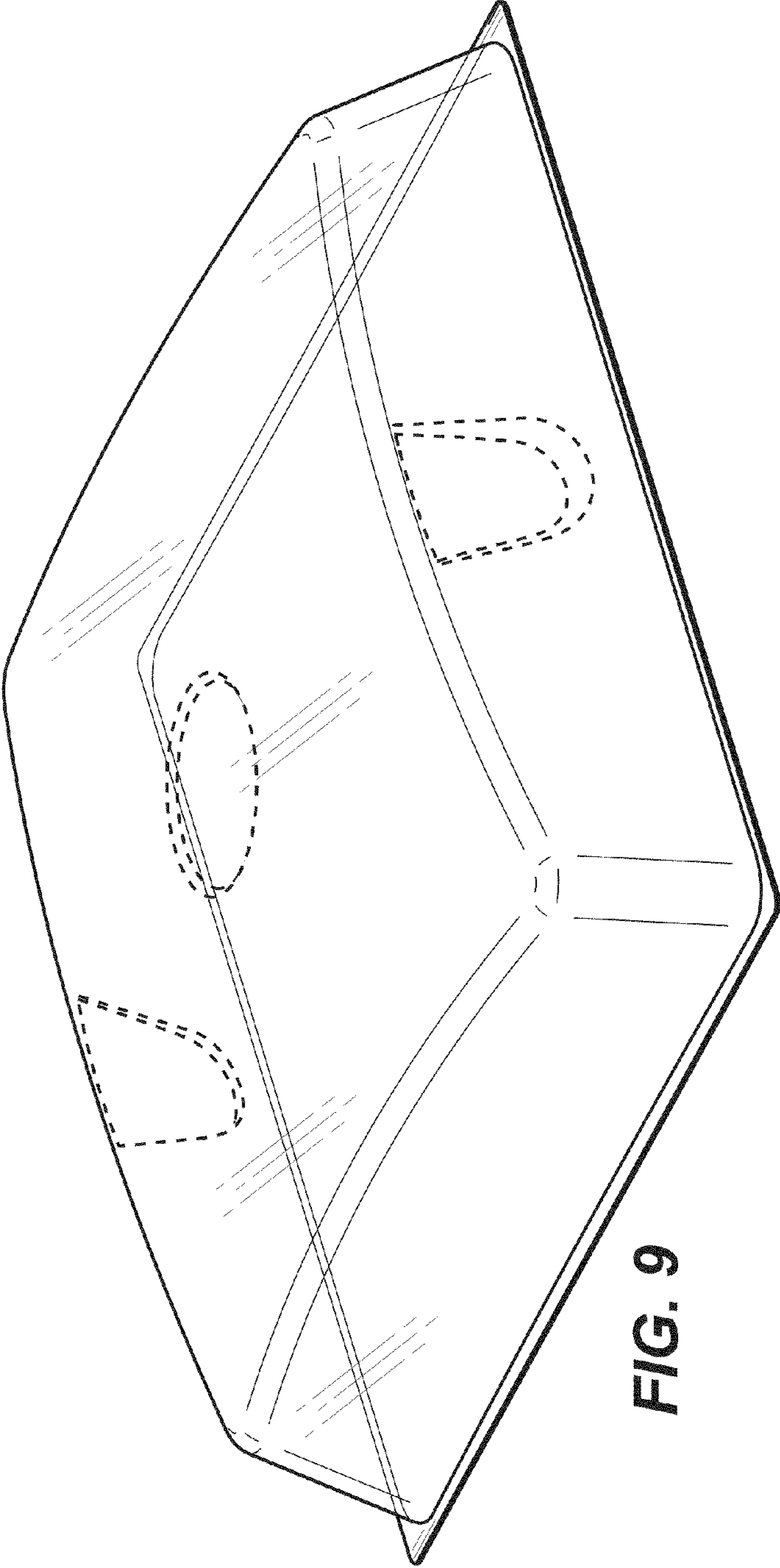


FIG. 9

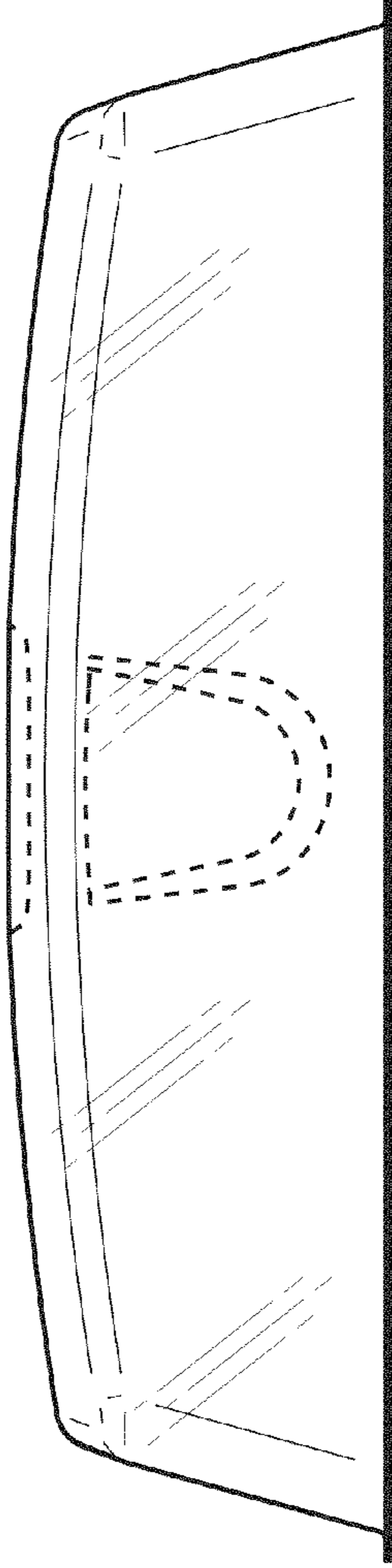
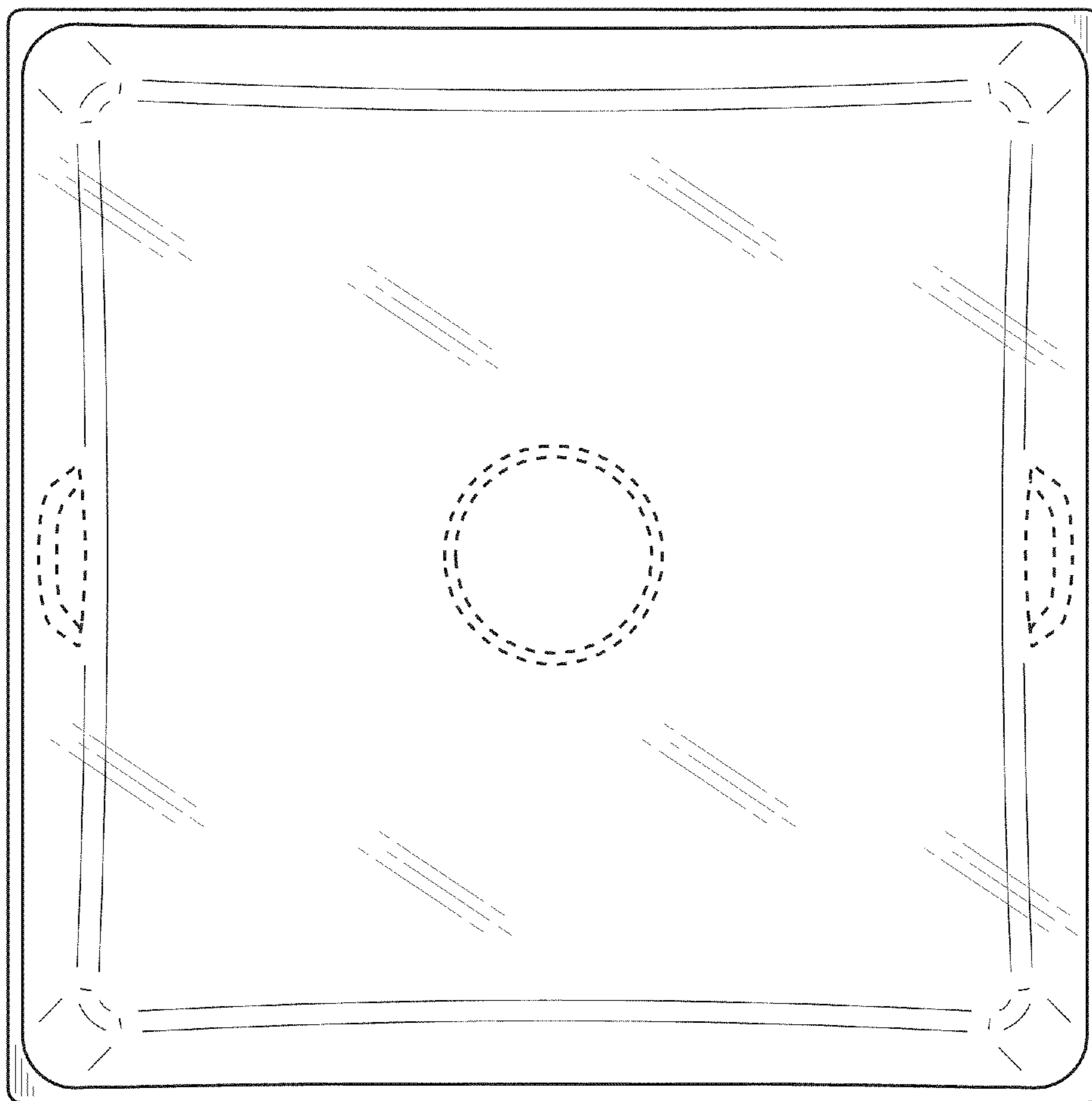
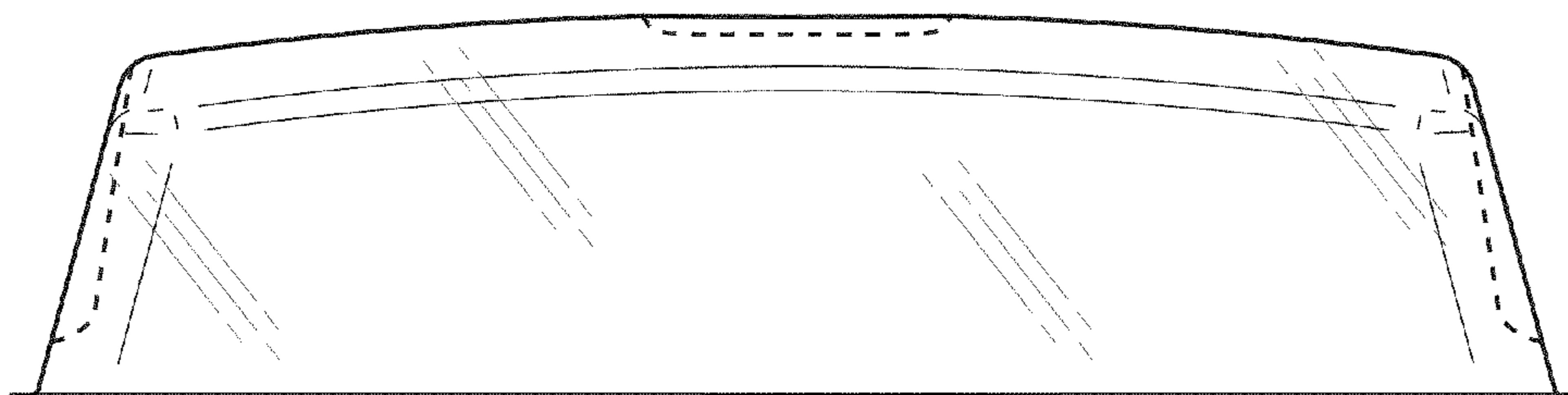


FIG. 10



**FIG. 12**



**FIG. 11**