



US00D653153S

(12) **United States Design Patent**
Froehlich

(10) **Patent No.:** **US D653,153 S**
(45) **Date of Patent:** **** Jan. 31, 2012**

(54) **STONE**

(75) **Inventor:** **Philipp Froehlich**, Neustift (AT)

(73) **Assignee:** **Swarovski Aktiengesellschaft**, Triesen (LI)

(**) **Term:** **14 Years**

(21) **Appl. No.:** **29/391,073**

(22) **Filed:** **May 3, 2011**

(30) **Foreign Application Priority Data**

Jan. 24, 2011 (EM) 1256366-0007

(51) **LOC (9) Cl.** **11-01**

(52) **U.S. Cl.** **D11/89**

(58) **Field of Classification Search** D11/1-2,
D11/26-29, 86, 89-92; 63/26-28, 32
See application file for complete search history.

(56) **References Cited**

U.S. PATENT DOCUMENTS

D48,644 S *	2/1916	Miller	D11/90
2,009,390 A *	7/1935	Bayardi	63/32
D360,376 S *	7/1995	Kaplan	D11/90
D418,081 S *	12/1999	Kaplan	D11/90
D549,610 S *	8/2007	Prechtl	D11/90

D586,687 S *	2/2009	Bartl	D11/90
D588,040 S *	3/2009	Renner	D11/89
D591,194 S *	4/2009	Swarovski	D11/89
D593,896 S *	6/2009	Schneider	D11/89
D593,897 S *	6/2009	Schneider	D11/89
D593,898 S *	6/2009	Schneider	D11/89
D625,220 S *	10/2010	Ehrenstrasser	D11/89

* cited by examiner

Primary Examiner — Ralf Seifert

(74) *Attorney, Agent, or Firm* — Wenderoth, Lind & Ponack, L.L.P.

(57) **CLAIM**

The ornamental design for an ornamental stone, as shown and described.

DESCRIPTION

FIG. 1 is a bottom view of the invention;
FIG. 2 is a right view of the invention;
FIG. 3 is a front view of the invention;
FIG. 4 is a left view of the invention;
FIG. 5 is a cross-sectional view of the invention showing a through-hole;
FIG. 6 is a rear view of the invention;
FIG. 7 is a top view of the invention; and,
FIG. 8 is a perspective view of the invention.

1 Claim, 2 Drawing Sheets

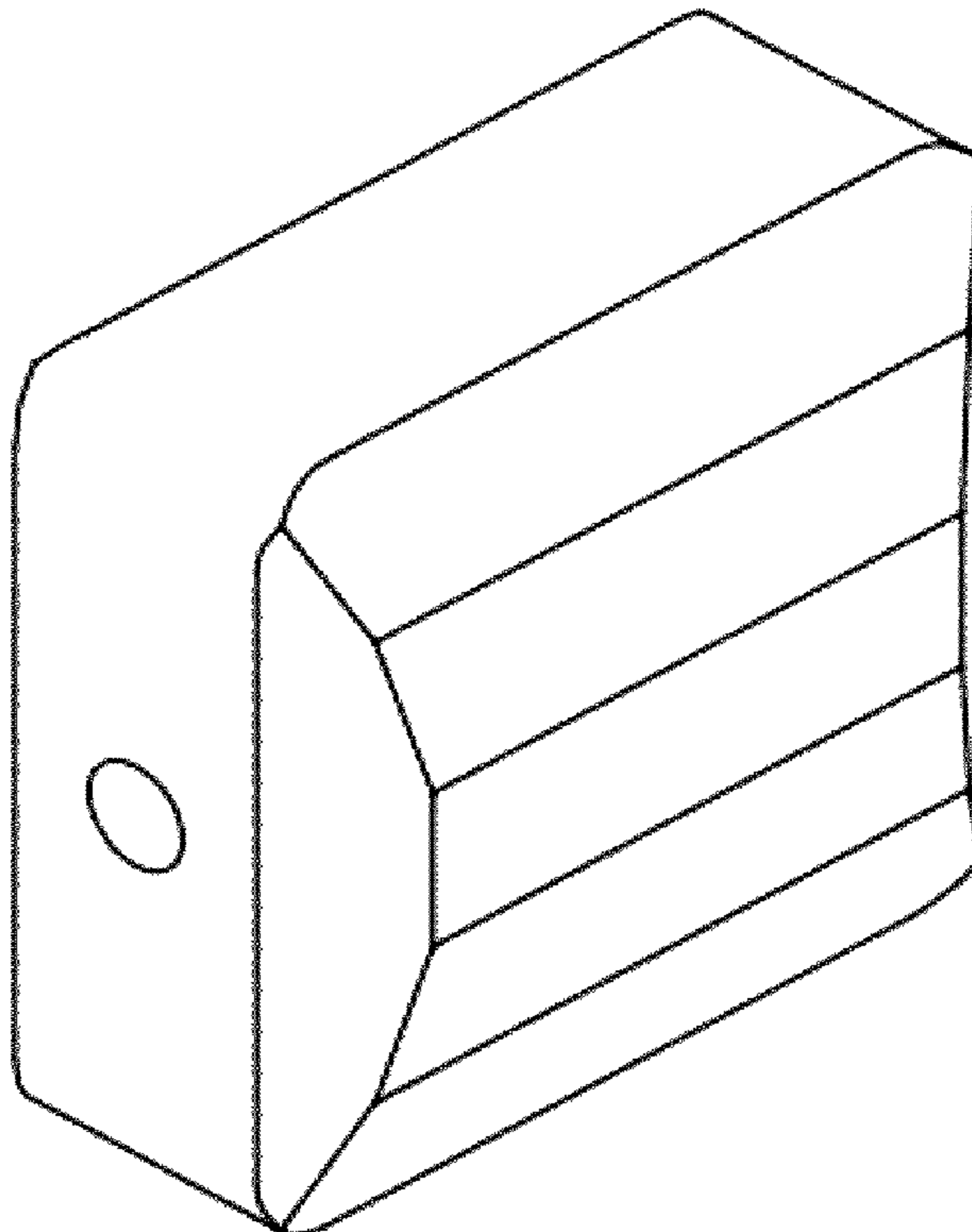




Fig. 1

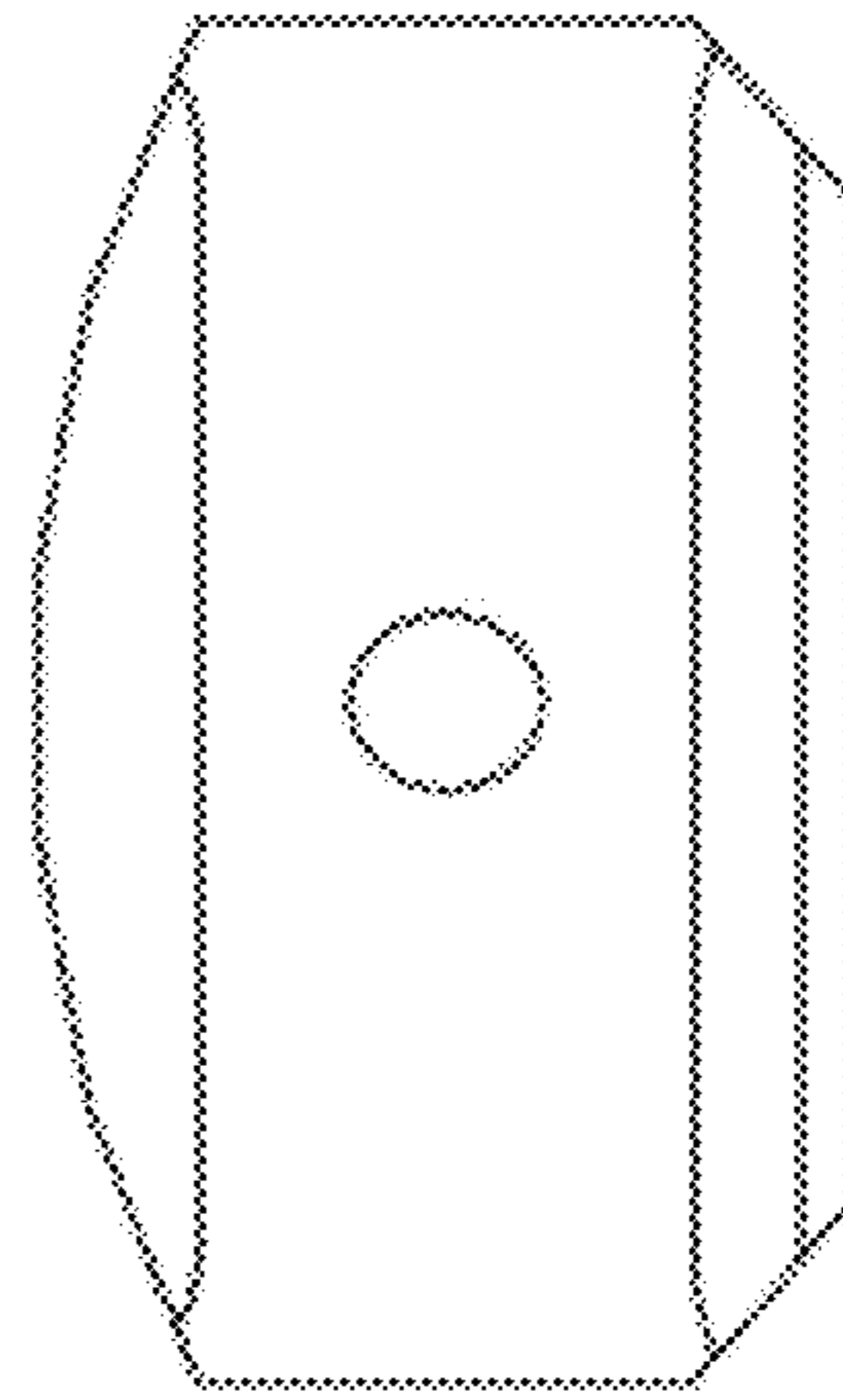


Fig. 2

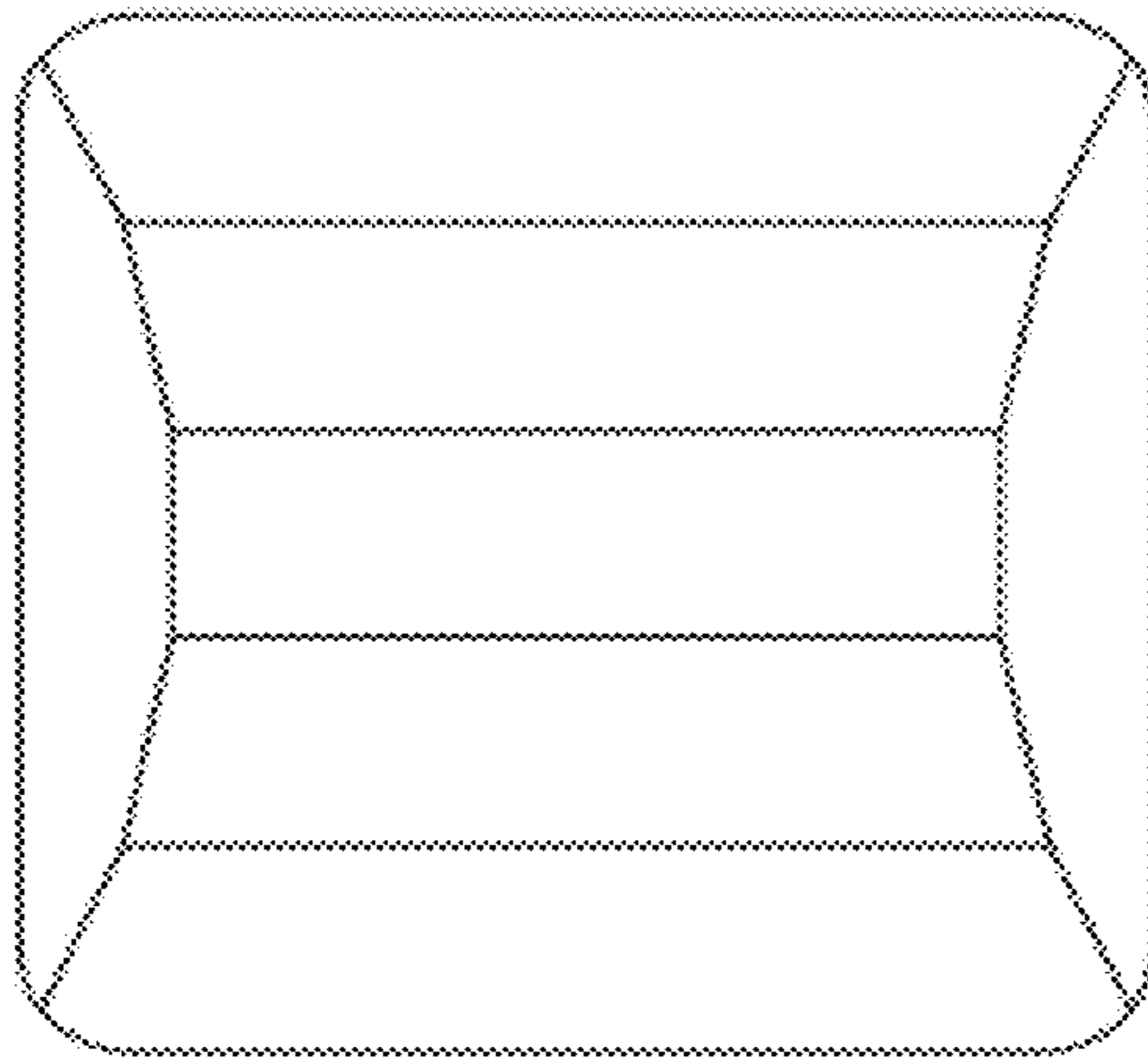


Fig. 3

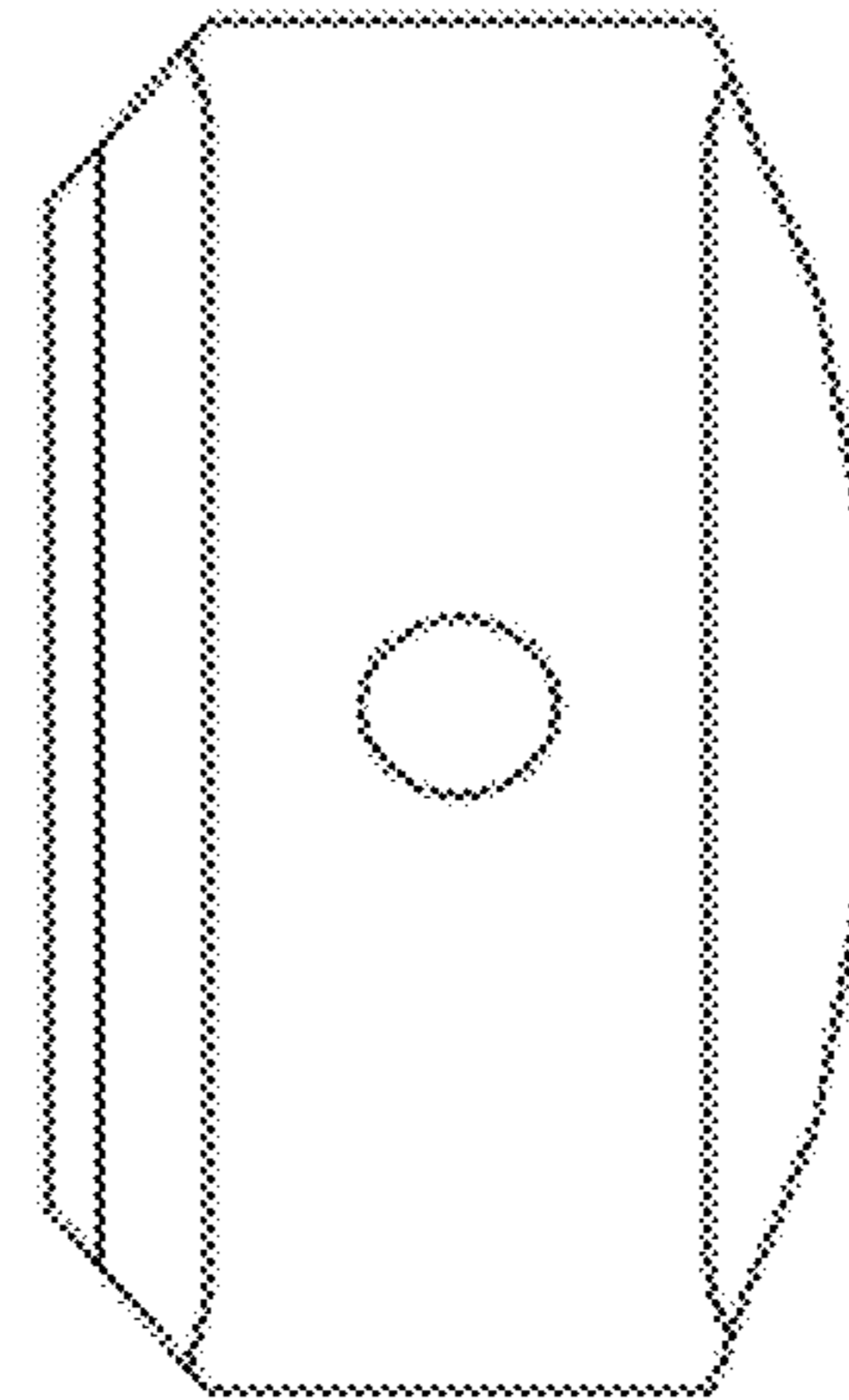


Fig. 4

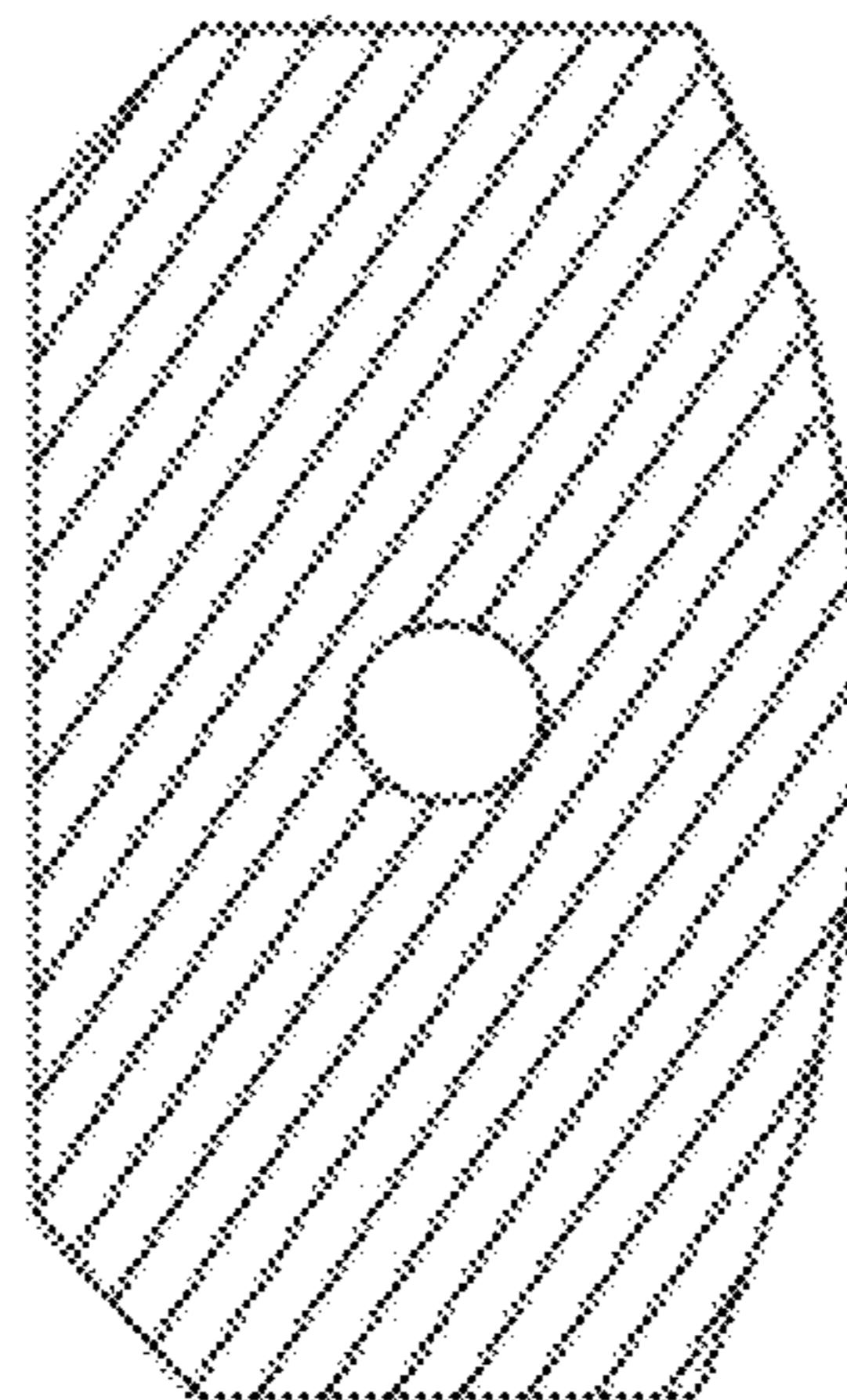


Fig. 5

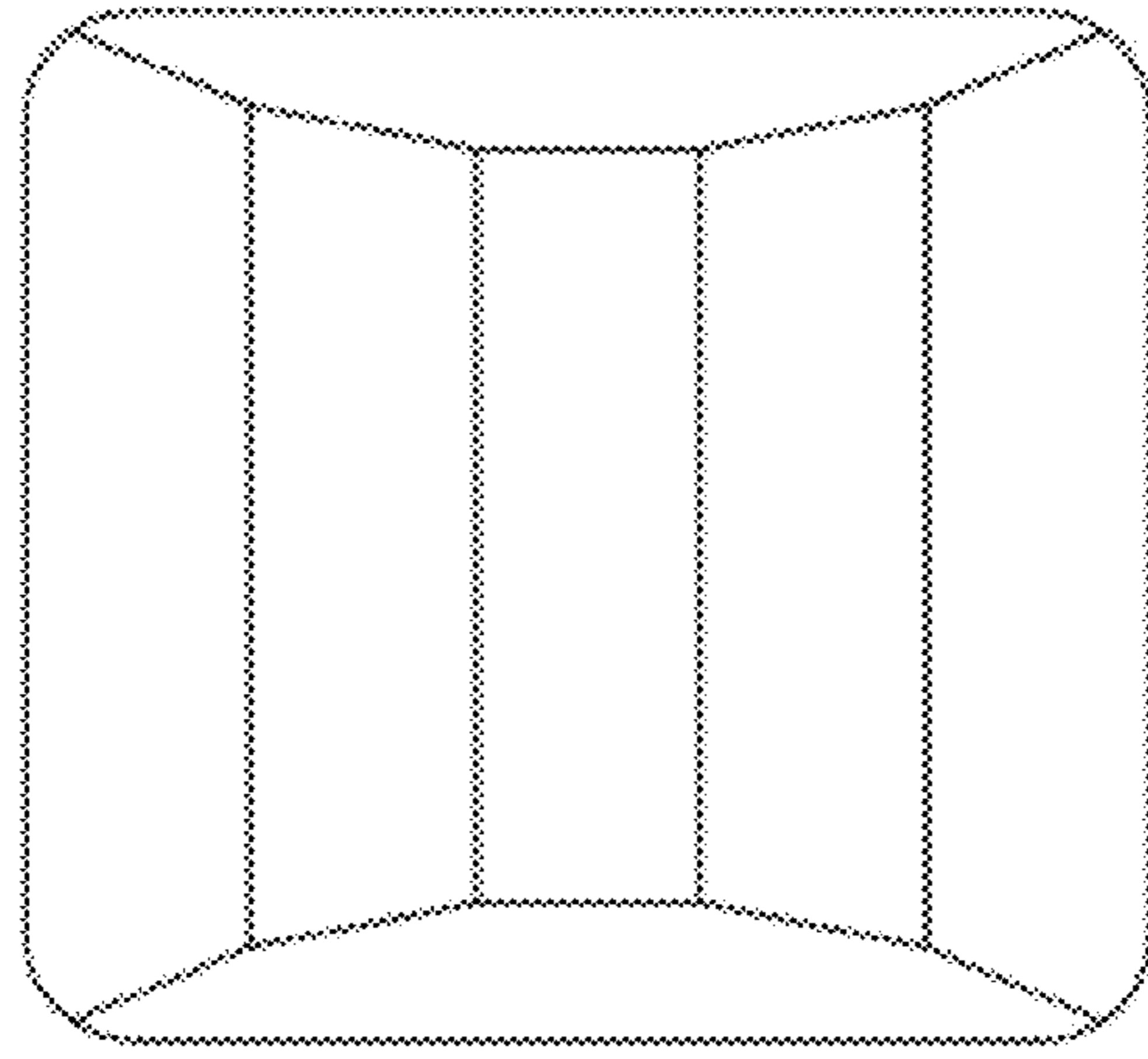


Fig. 6



Fig. 7

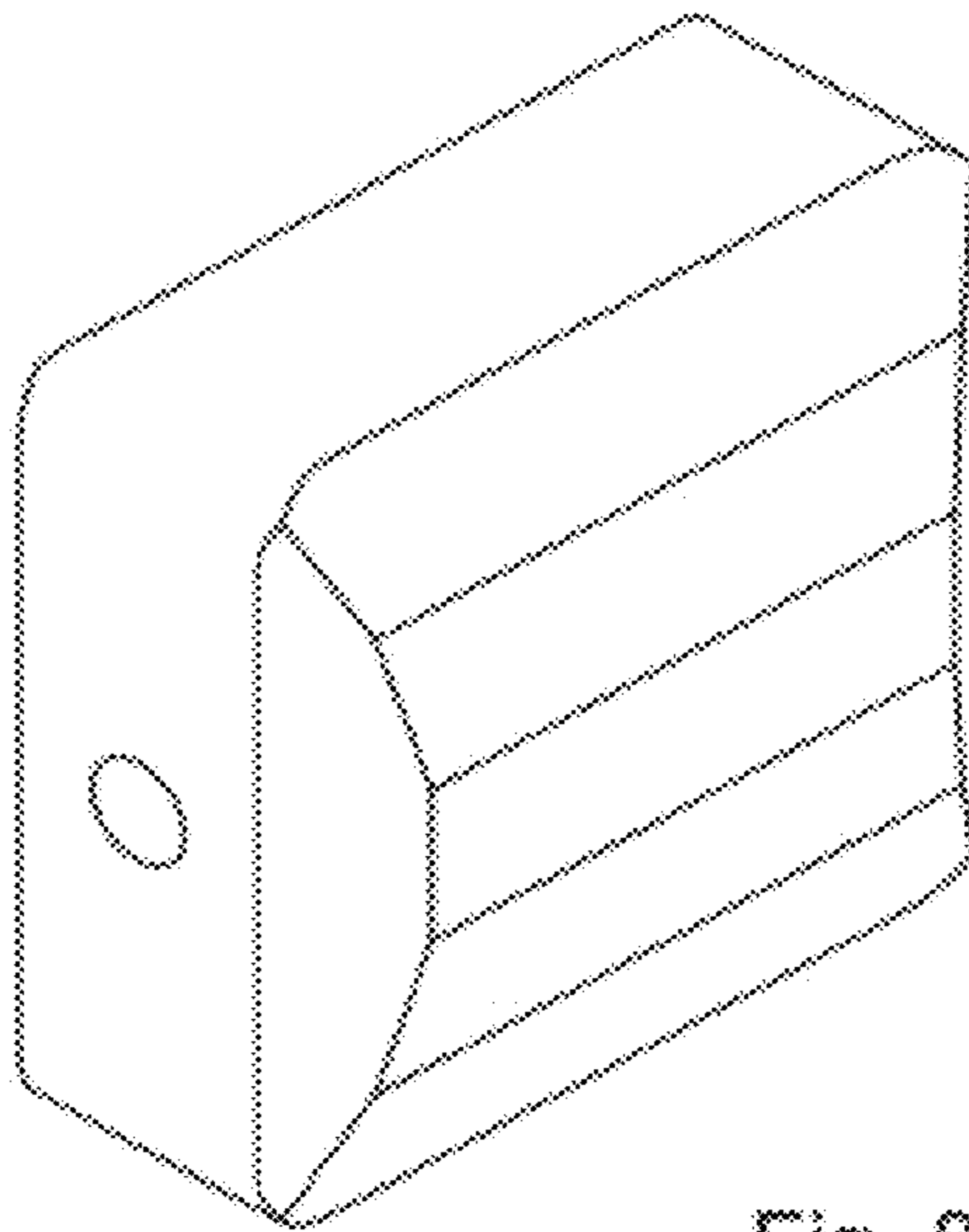


Fig. 8