



US00D653143S

(12) **United States Design Patent**
Cheung

(10) **Patent No.:** **US D653,143 S**
(45) **Date of Patent:** **** Jan. 31, 2012**

- (54) **LIGHT AND ALARM APPARATUS**
- (75) Inventor: **Ching Wai Cheung**, Kowloon (HK)
- (73) Assignee: **Provide Ltd.**, Causeway Bay (HK)
- (**) Term: **14 Years**
- (21) Appl. No.: **29/396,899**
- (22) Filed: **Jul. 8, 2011**
- (51) **LOC (9) Cl.** **10-05**
- (52) **U.S. Cl.** **D10/114.9**
- (58) **Field of Classification Search** D10/111,
D10/113.1, 114.1–114.2, 114.9, 109.1, 114.8;
D26/85, 37, 39; 404/14; 362/157
See application file for complete search history.

(56) **References Cited**

U.S. PATENT DOCUMENTS

D544,388 S *	6/2007	Chisholm	D10/114.2
D552,292 S *	10/2007	Martineau	D26/85
D568,524 S *	5/2008	Sandell	D26/85
D578,702 S *	10/2008	Campagna	D26/85

* cited by examiner

Primary Examiner — George D Kirschbaum
(74) *Attorney, Agent, or Firm* — Ulmer & Berne LLP

(57) **CLAIM**
The ornamental design for a light and alarm apparatus, as shown and described.

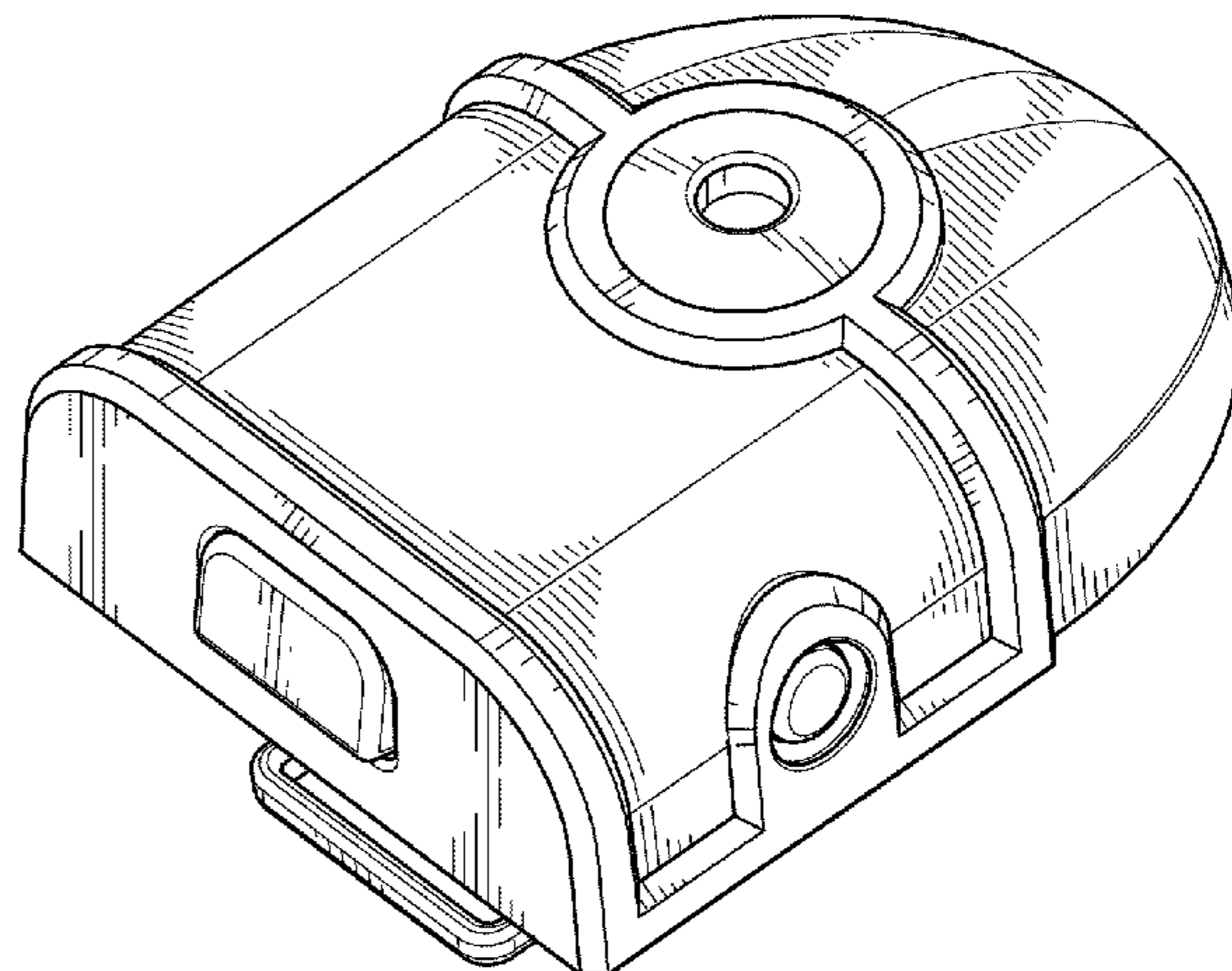
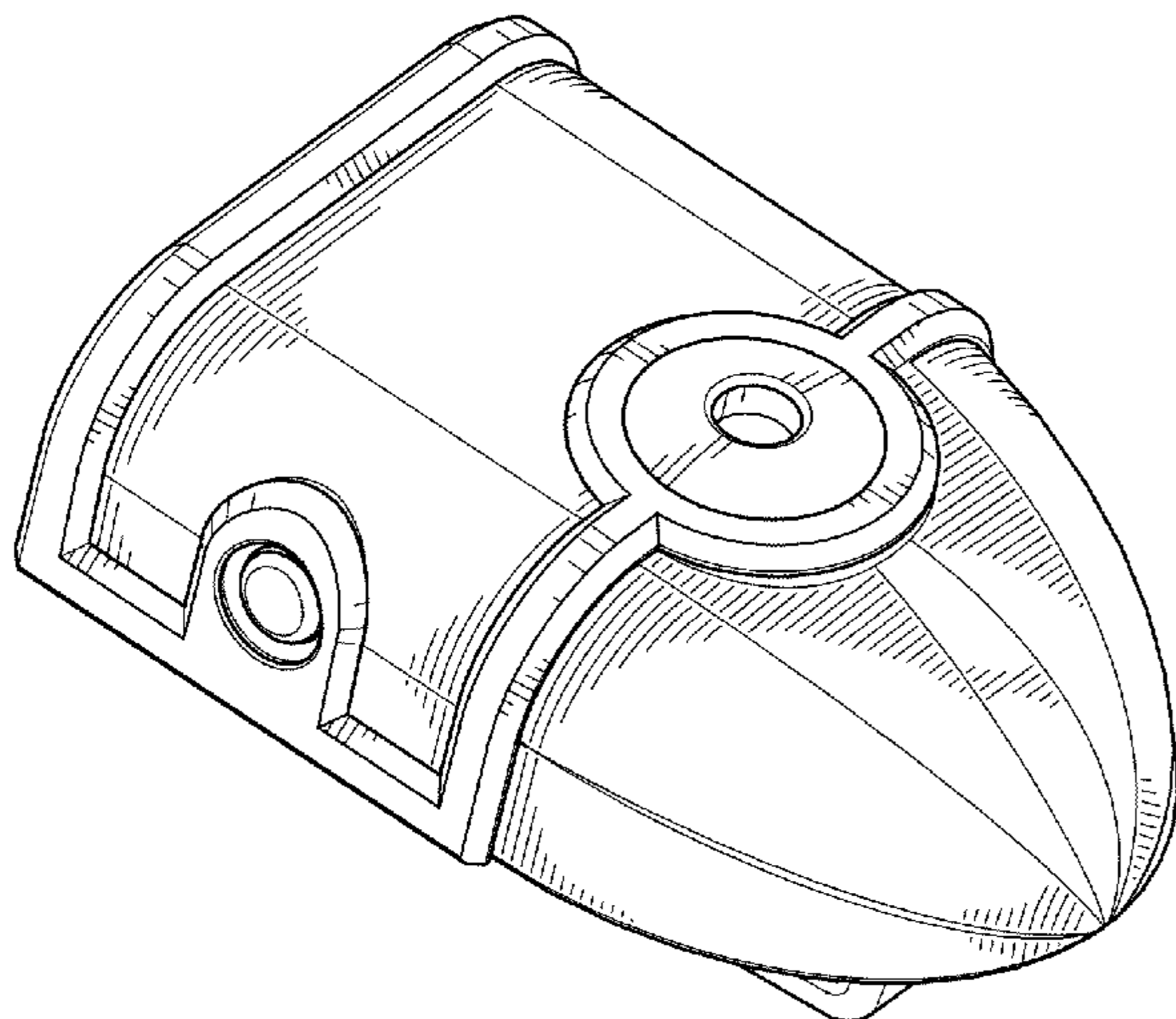
DESCRIPTION

FIG. 1 is a front bottom perspective view of a first embodiment of the light and alarm apparatus;

FIG. 2 is a front top perspective view of the light and alarm apparatus of FIG. 1;
 FIG. 3 is a bottom plan view of the light and alarm apparatus of FIG. 1;
 FIG. 4 is a right side elevation view of the light and alarm apparatus of FIG. 1;
 FIG. 5 is a left side elevation view of the light and alarm apparatus of FIG. 1;
 FIG. 6 is a top plan view of the light and alarm apparatus of FIG. 1;
 FIG. 7 is a front elevation view of the light and alarm apparatus of FIG. 1;
 FIG. 8 is a rear elevation view of the light and alarm apparatus of FIG. 1;
 FIG. 9 is a front bottom perspective view of a second embodiment of the light and alarm apparatus;
 FIG. 10 is a front top perspective view of the light and alarm apparatus of FIG. 9;
 FIG. 11 is a bottom plan view of the light and alarm apparatus of FIG. 9;
 FIG. 12 is a right side elevation view of the light and alarm apparatus of FIG. 9;
 FIG. 13 is a left side elevation view of the light and alarm apparatus of FIG. 9;
 FIG. 14 is a top plan view of the light and alarm apparatus of FIG. 9;
 FIG. 15 is a front elevation view of the light and alarm apparatus of FIG. 9; and,
 FIG. 16 is a rear elevation view of the light and alarm apparatus of FIG. 9.

The broken lines in the figures illustrate unclaimed portions of the light and alarm apparatus.

1 Claim, 6 Drawing Sheets



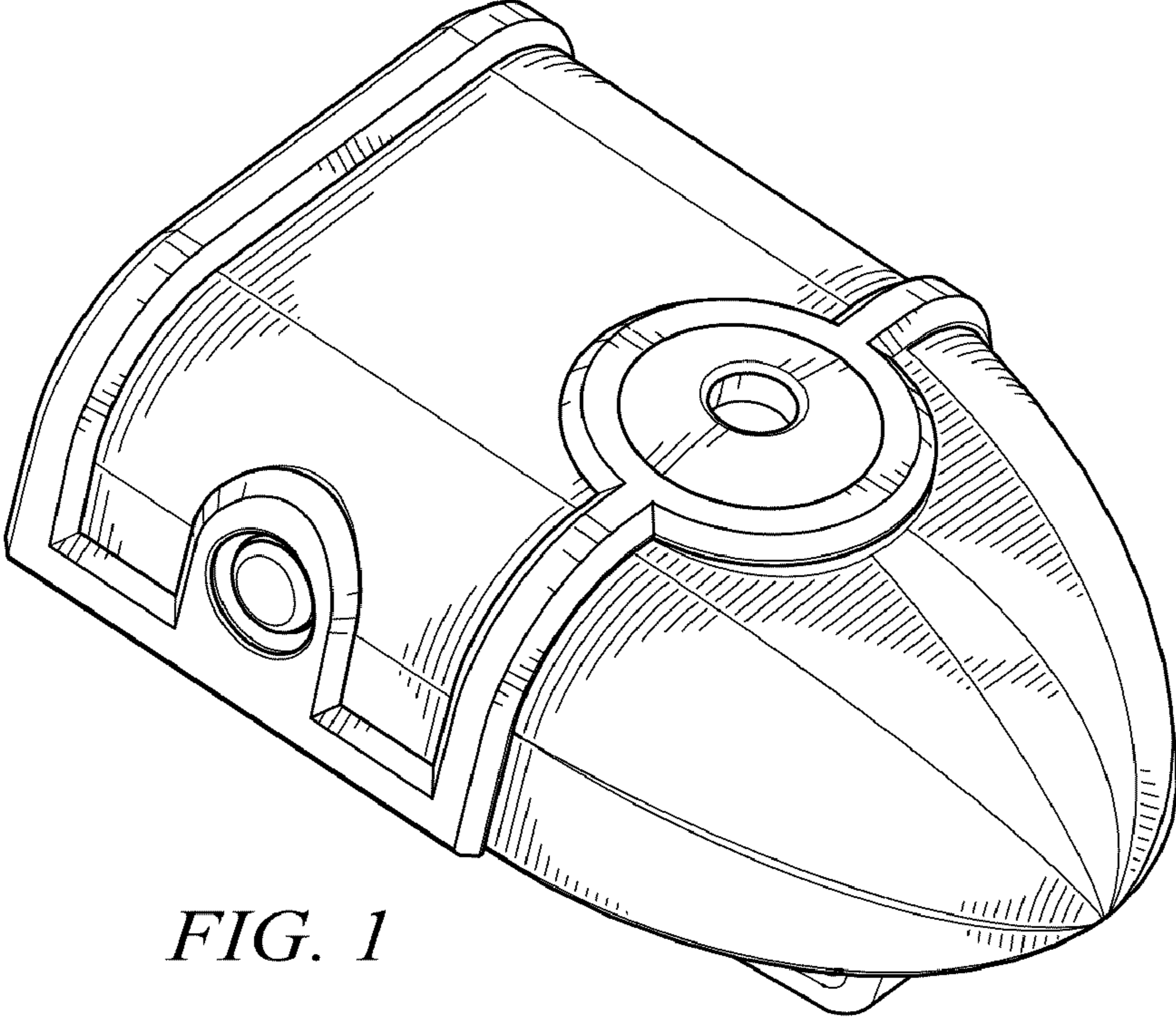


FIG. 1

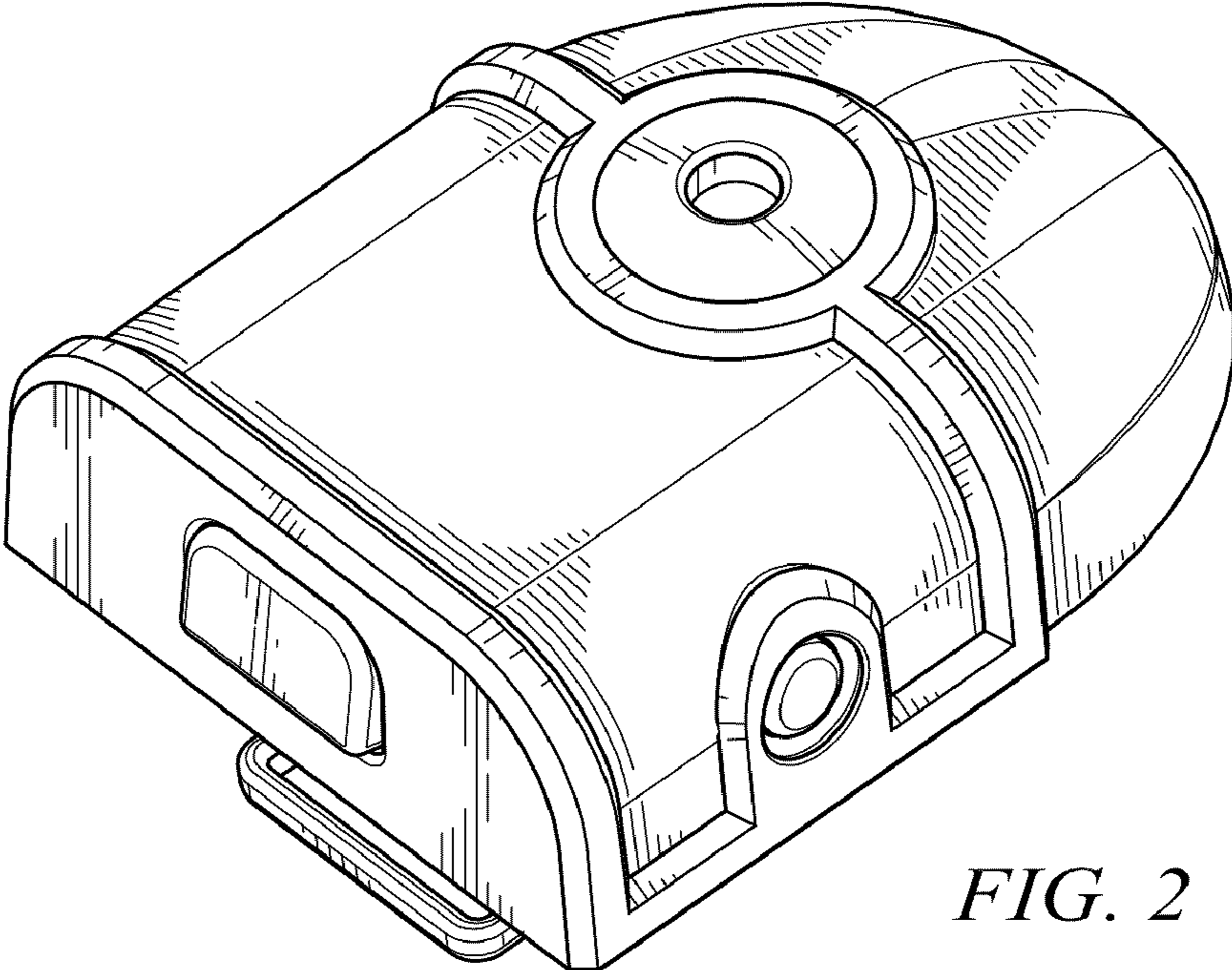


FIG. 2

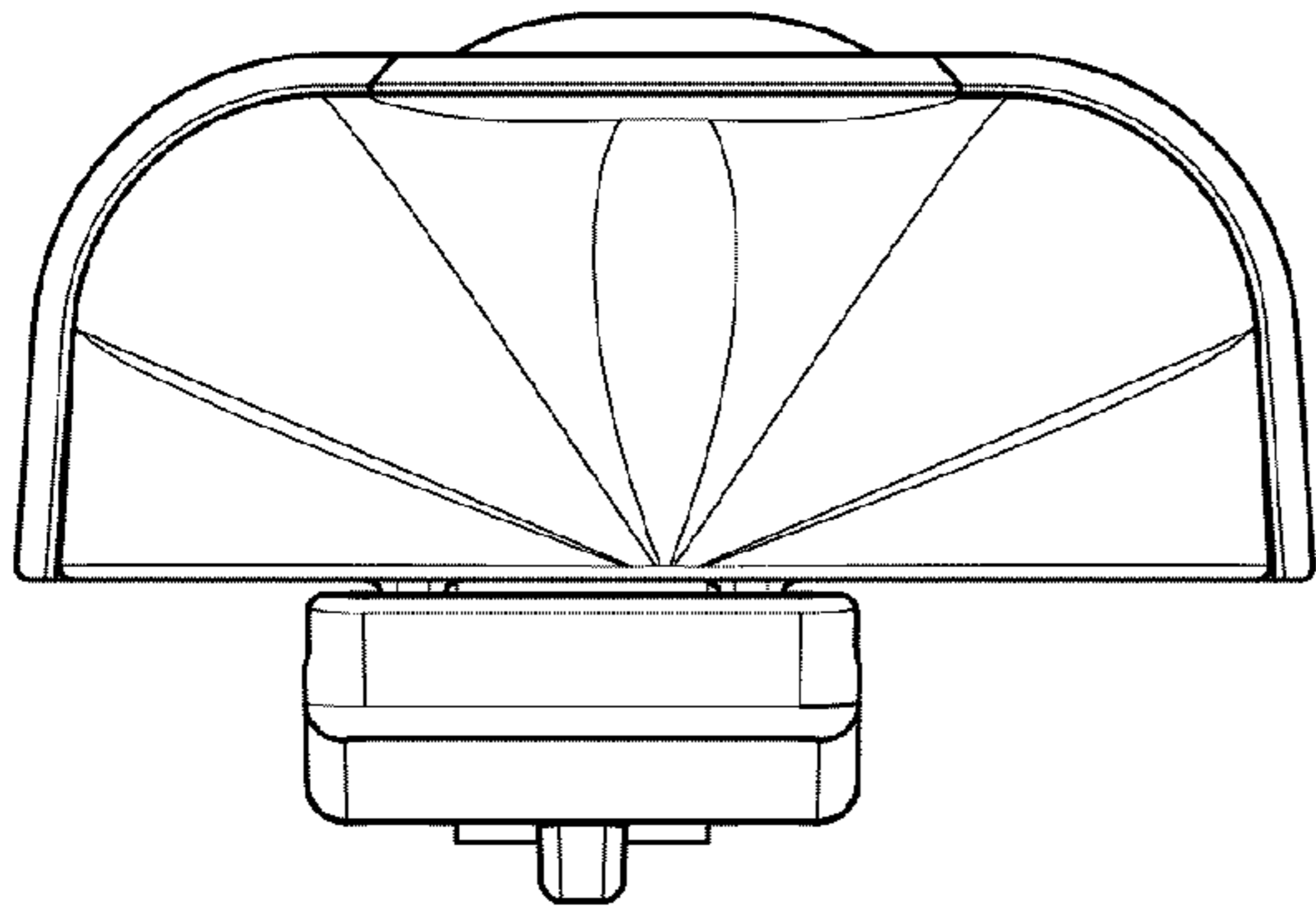


FIG. 3

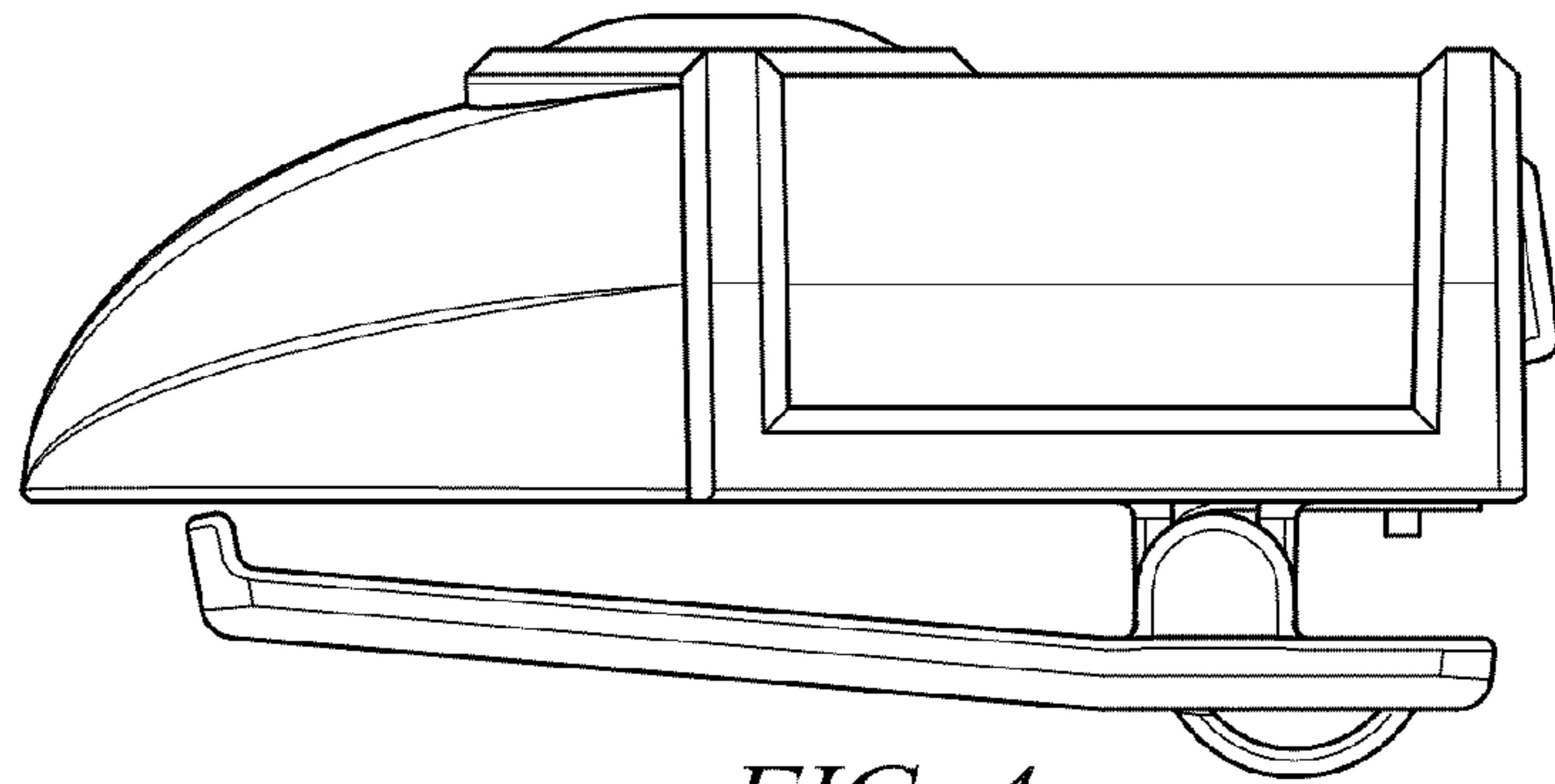


FIG. 4

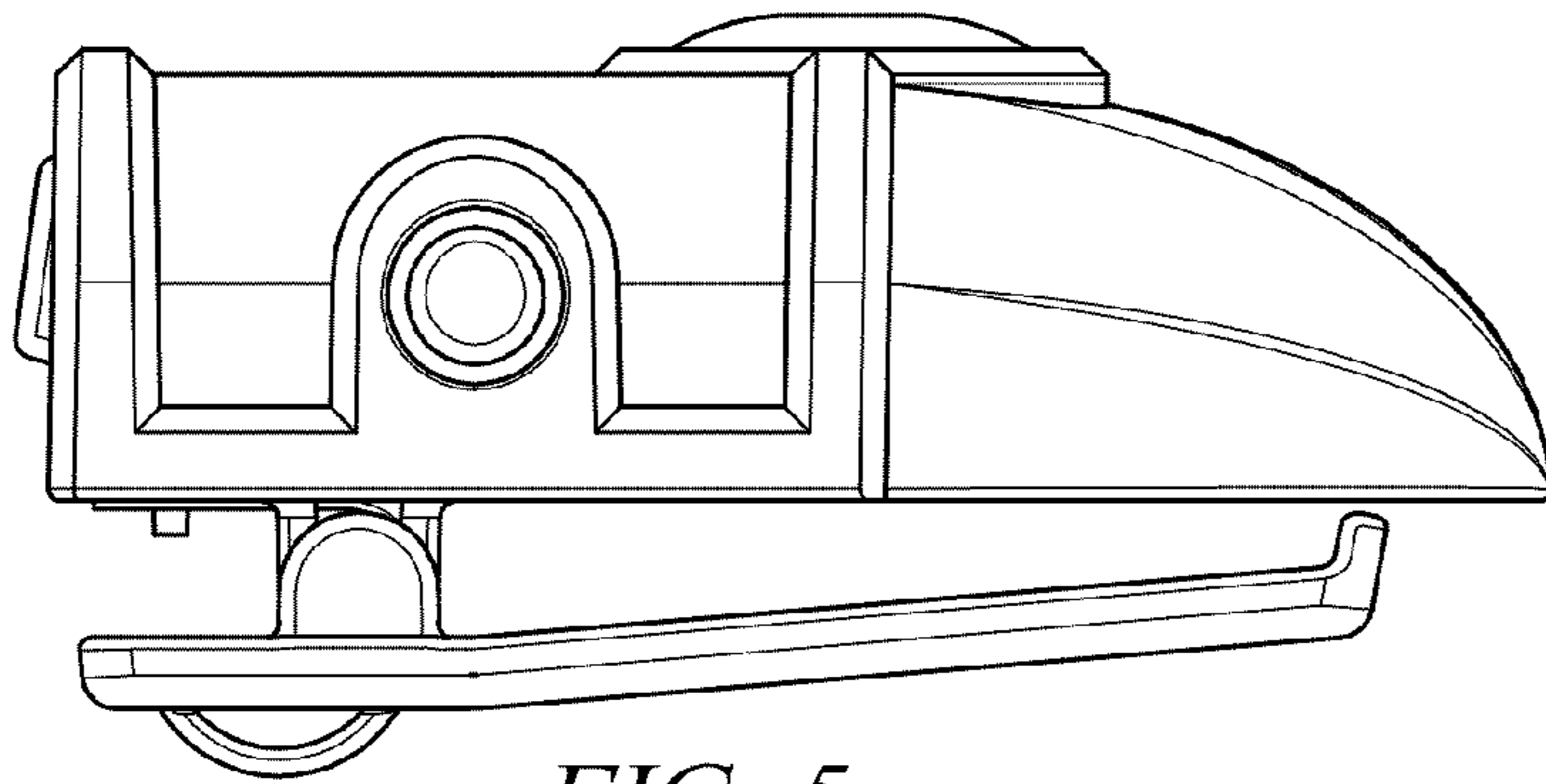


FIG. 5

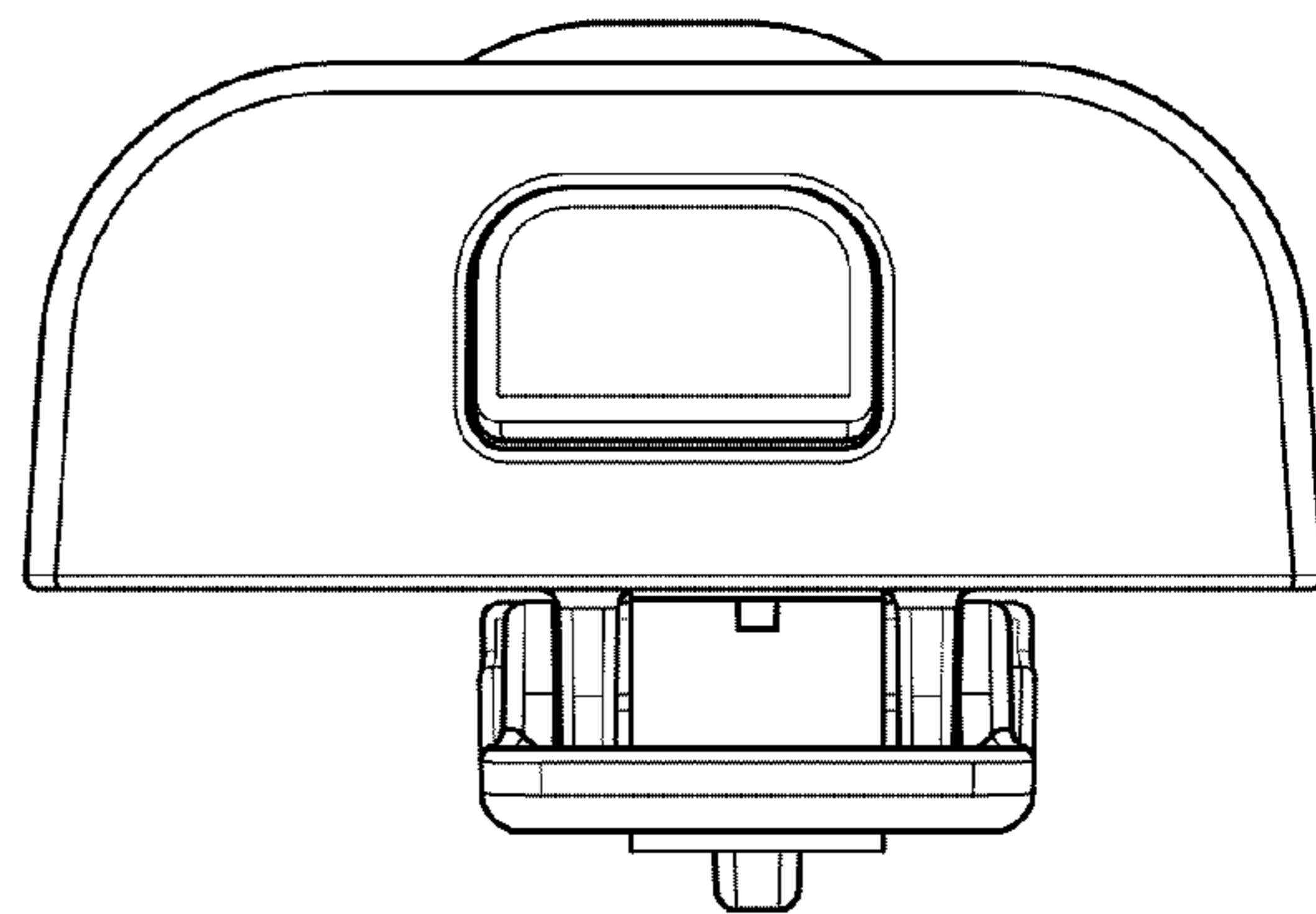


FIG. 6

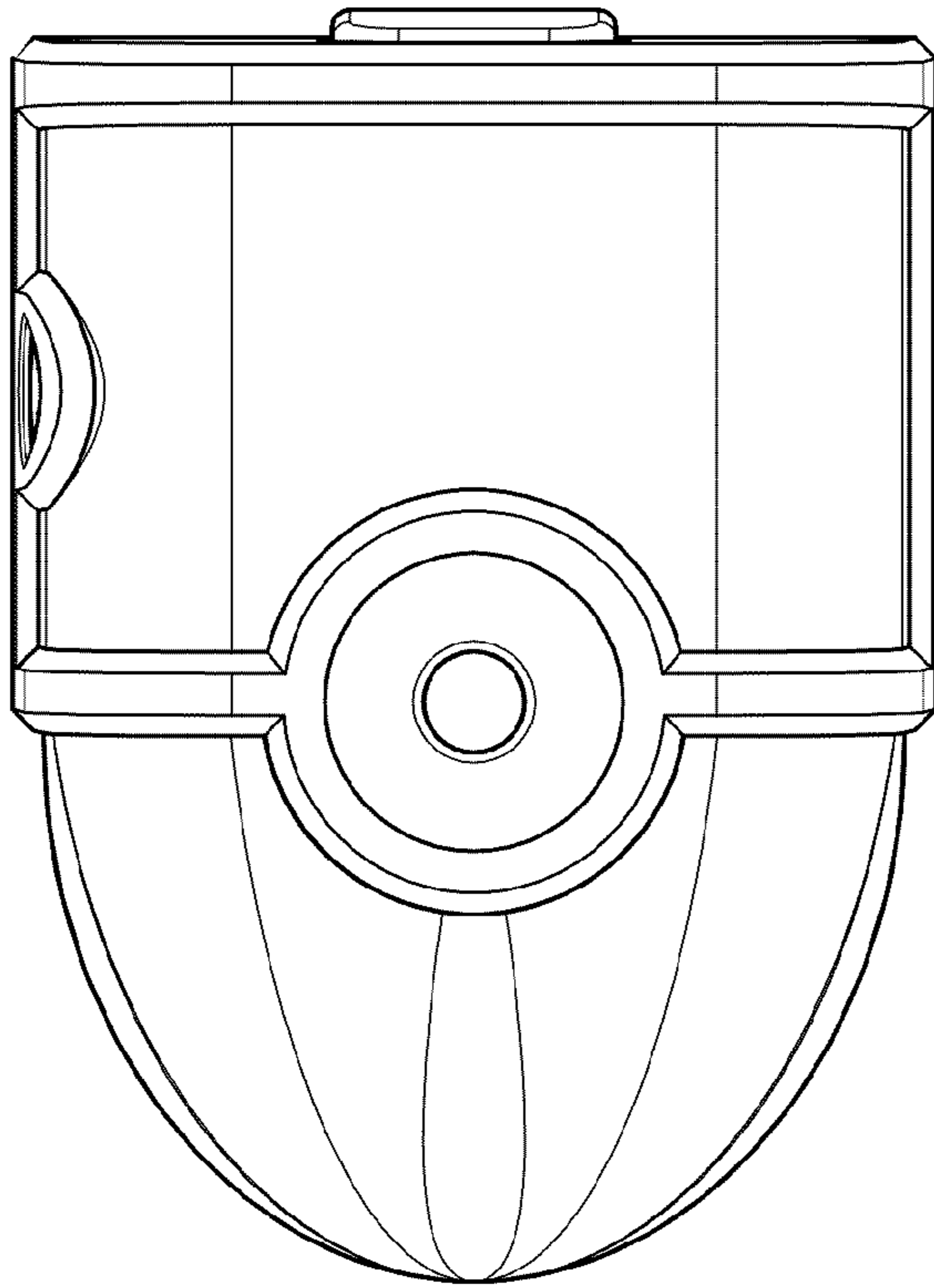


FIG. 7

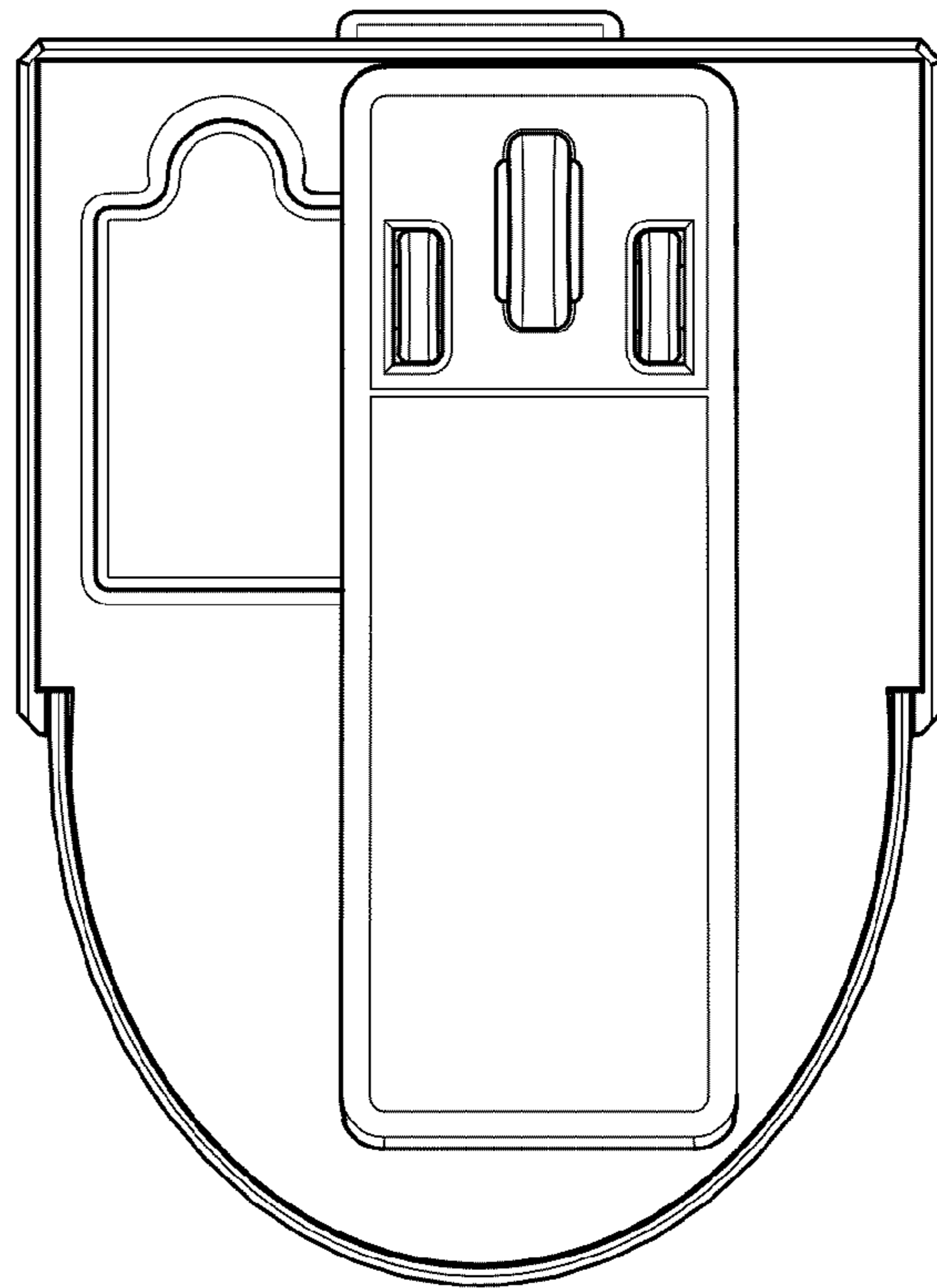


FIG. 8

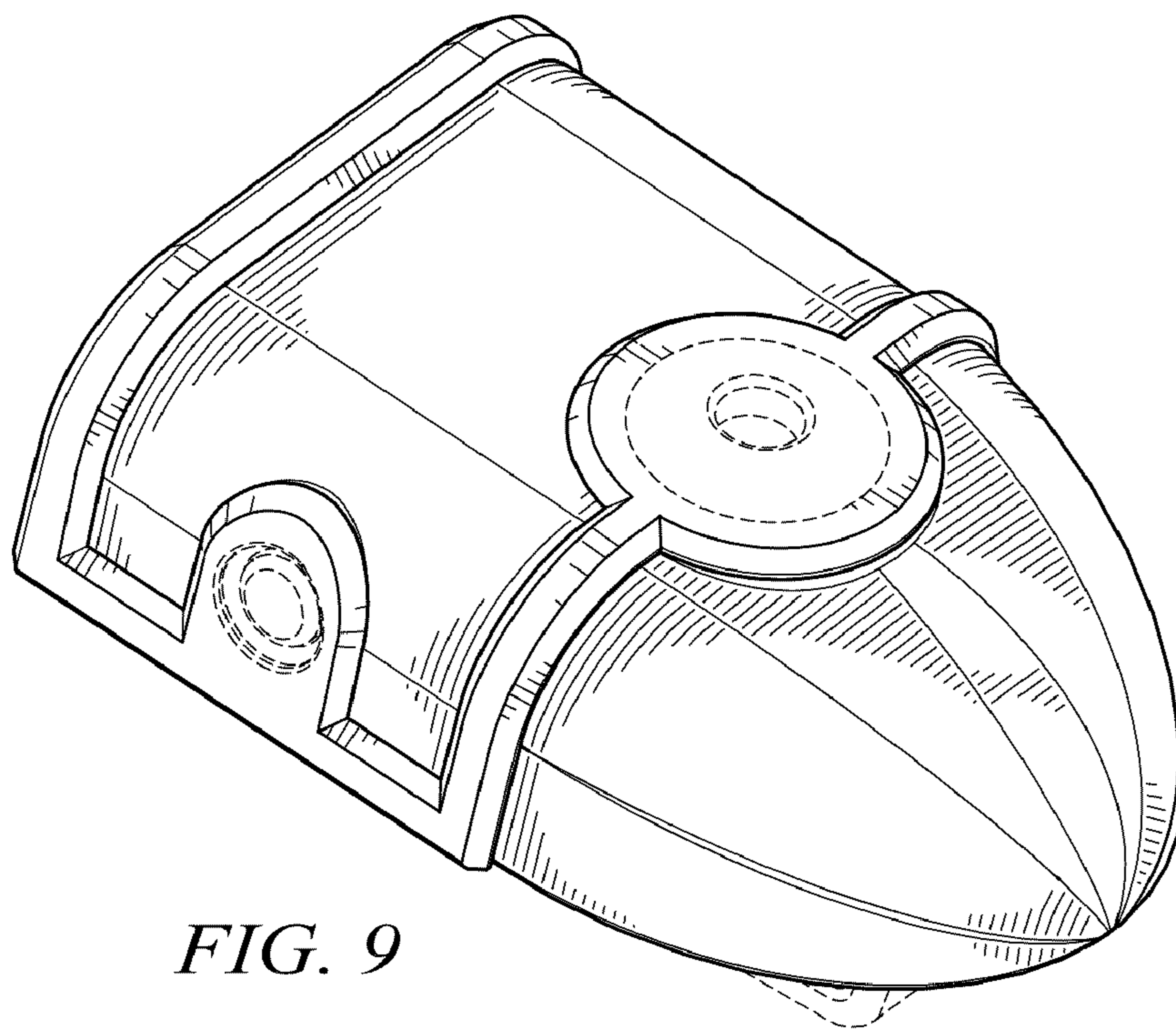


FIG. 9

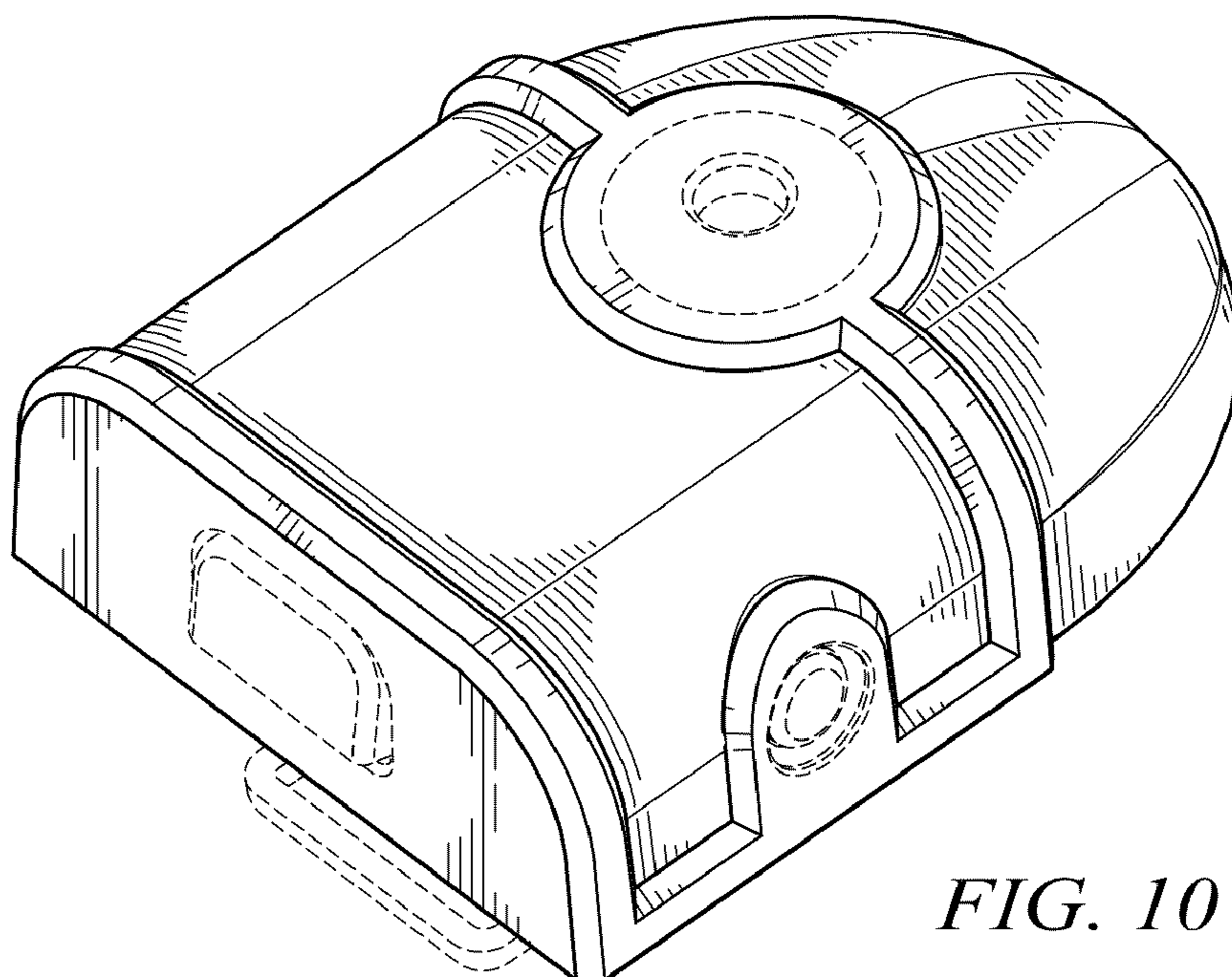


FIG. 10

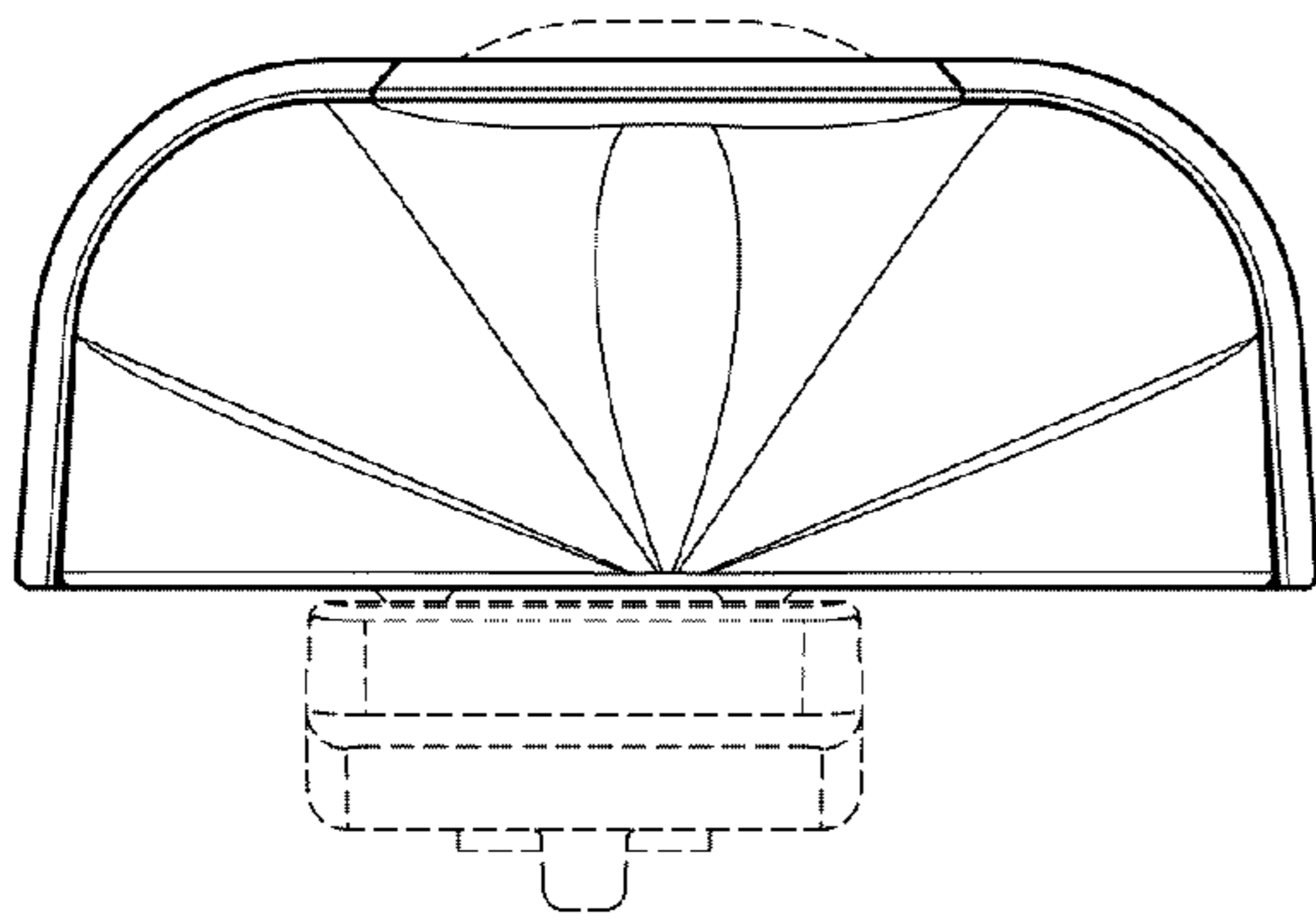


FIG. 11

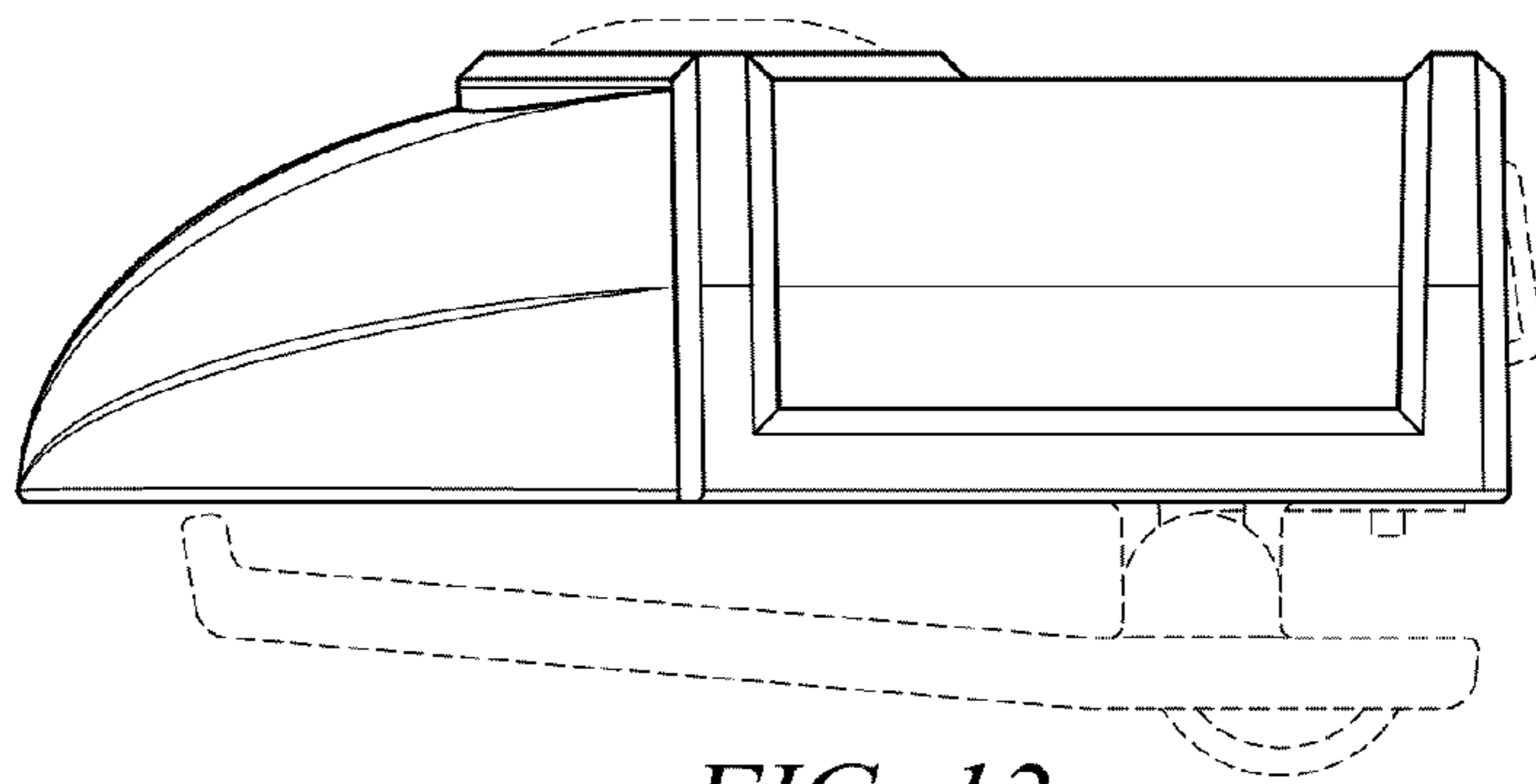


FIG. 12

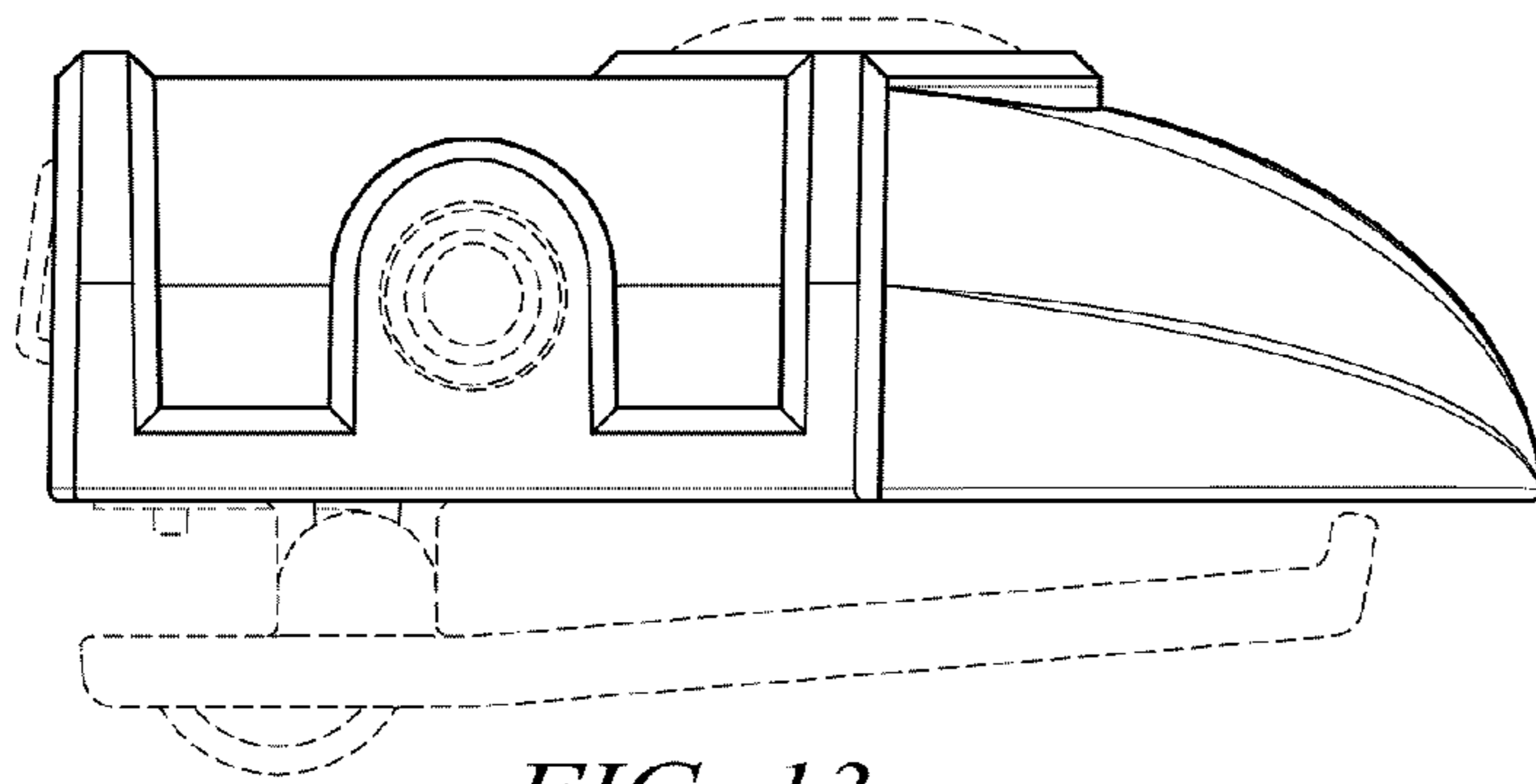


FIG. 13

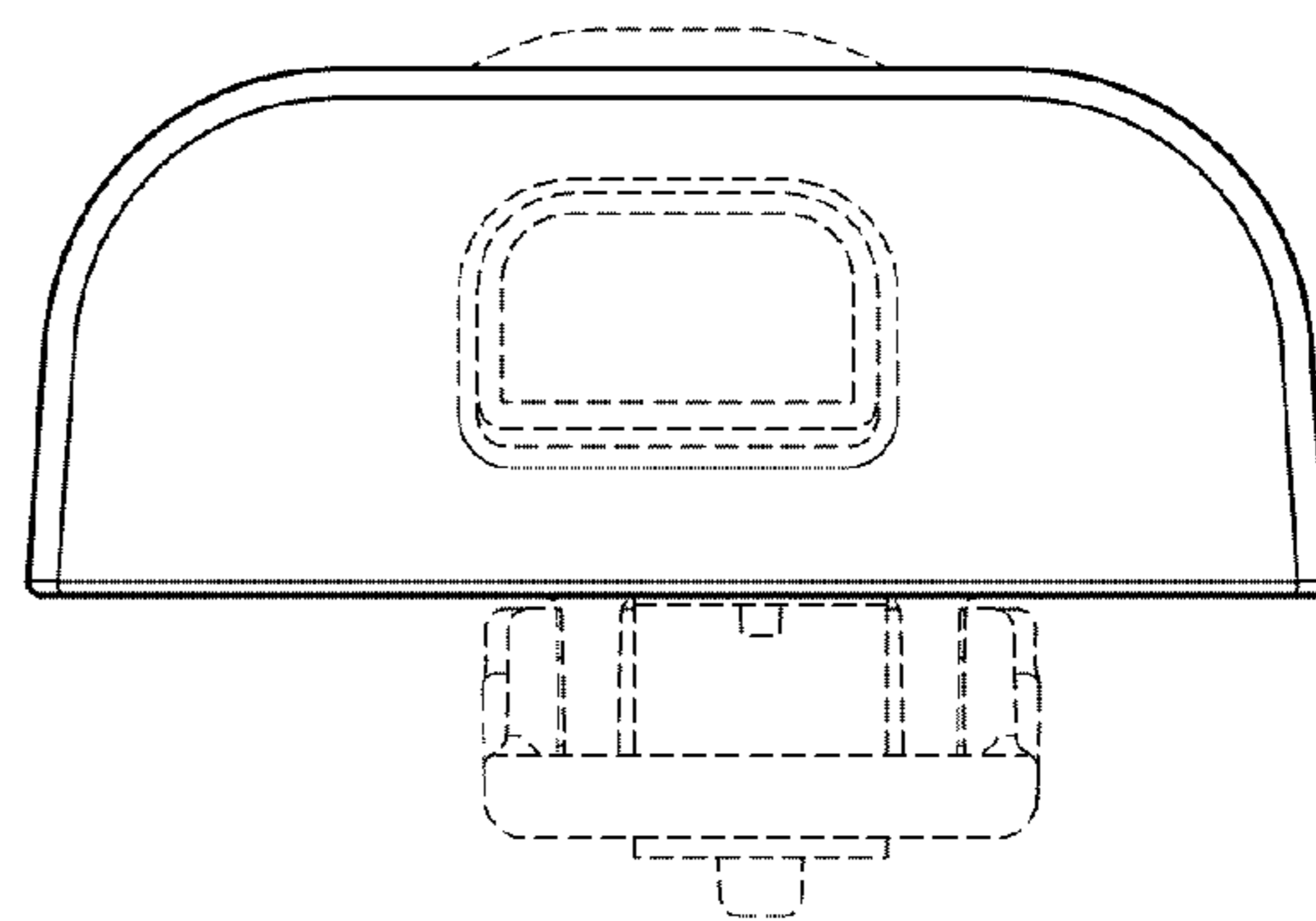


FIG. 14

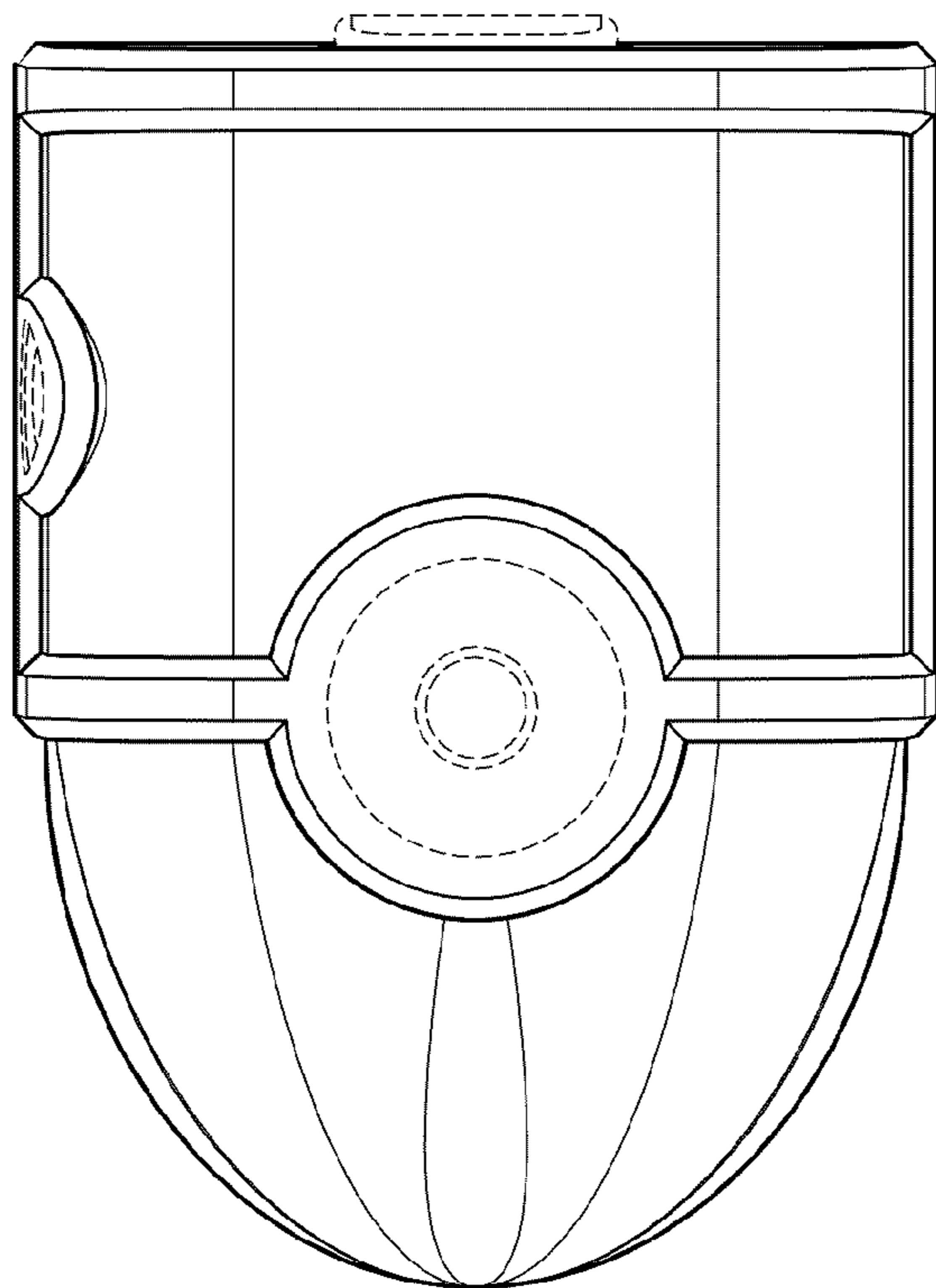


FIG. 15

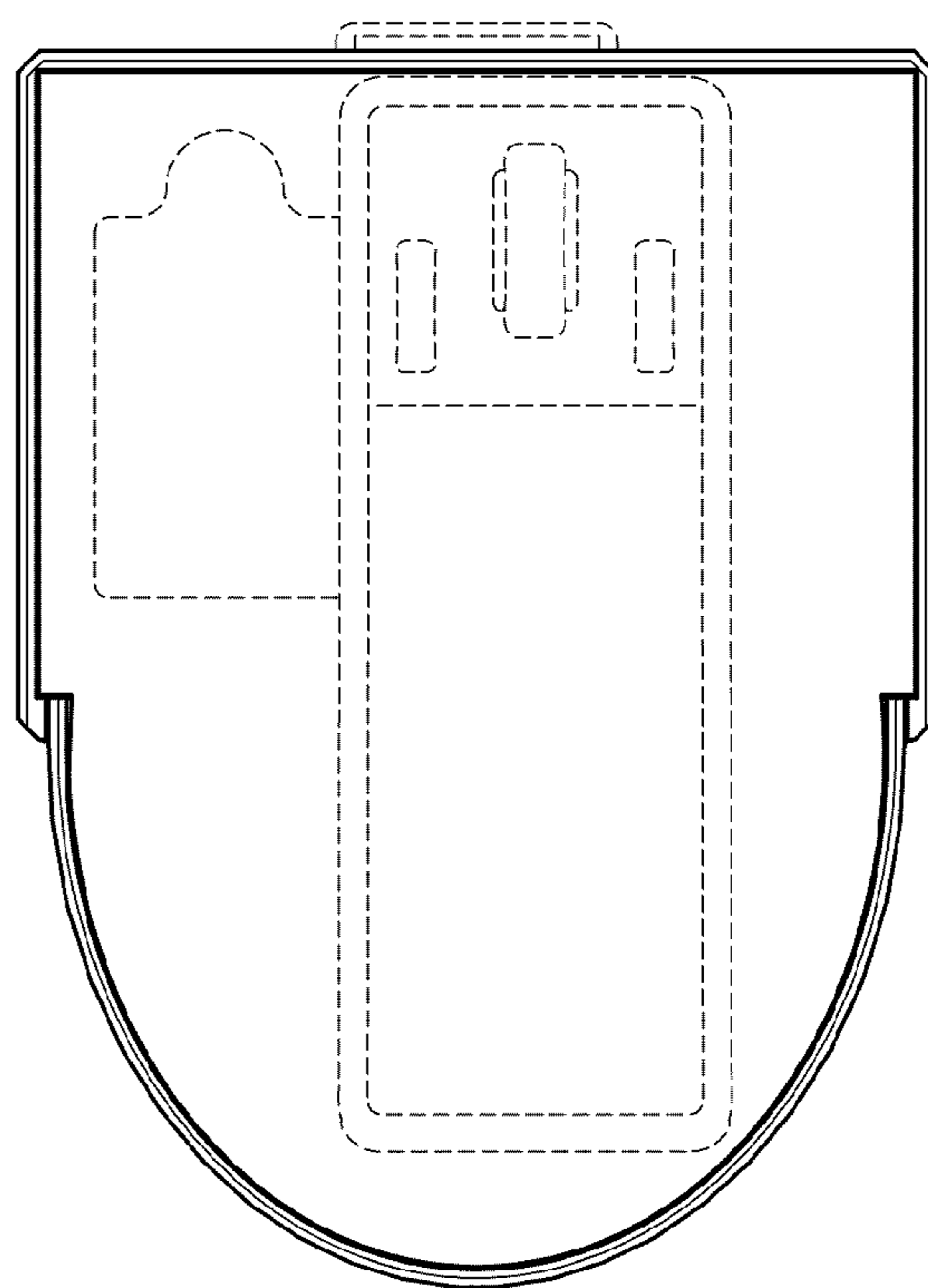


FIG. 16