



US00D653142S

(12) **United States Design Patent**
Deyaf

(10) **Patent No.:** **US D653,142 S**

(45) **Date of Patent:** **** Jan. 31, 2012**

(54) **EMERGENCY VEHICLE COMPACT LIGHT-BAR**

D630,959 S * 1/2011 Stuesse et al. D10/114.4
* cited by examiner

(75) Inventor: **Ahmed Deyaf**, Richardson, TX (US)

Primary Examiner — George D Kirschbaum

(73) Assignee: **SpeedTech Lights Inc.**, Buda, TX (US)

(**) Term: **14 Years**

(57) **CLAIM**

The ornamental design for an emergency vehicle compact light-bar, as shown.

(21) Appl. No.: **29/391,027**

(22) Filed: **May 2, 2011**

DESCRIPTION

(51) **LOC (9) Cl.** **10-05**

(52) **U.S. Cl.** **D10/114.4**

(58) **Field of Classification Search** D10/114.4;
D26/72, 85; D6/349; 326/183, 200, 196,
326/191, 459, 460-463, 465; 340/908.1,
340/815.03, 760, 761, 767, 782, 471, 473
See application file for complete search history.

FIG. 1 is a perspective view of an emergency vehicle compact light-bar showing the housing and the layout of my new design;

FIG. 2 is a front view thereof,

FIG. 3 is a back view thereof;

FIG. 4 is a right side view thereof;

FIG. 5 is a left view thereof;

FIG. 6 is a top view thereof; and,

FIG. 7 is a bottom pie v thereof.

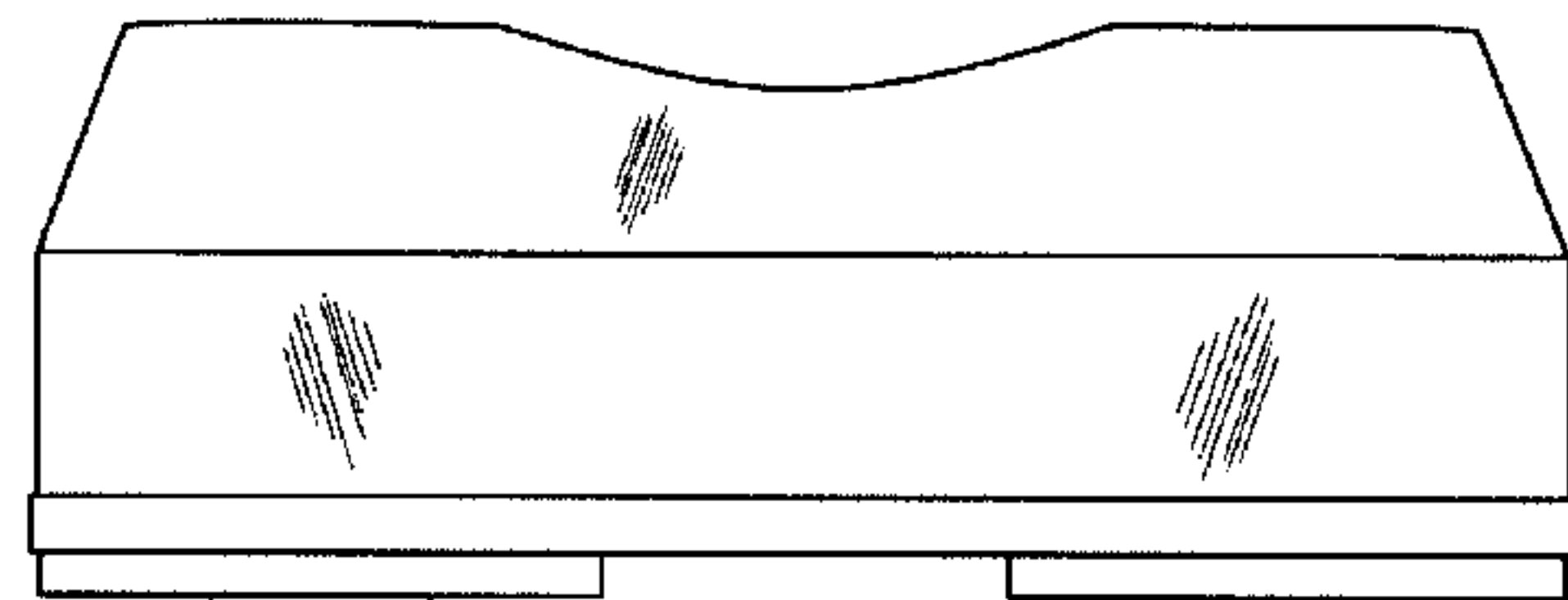
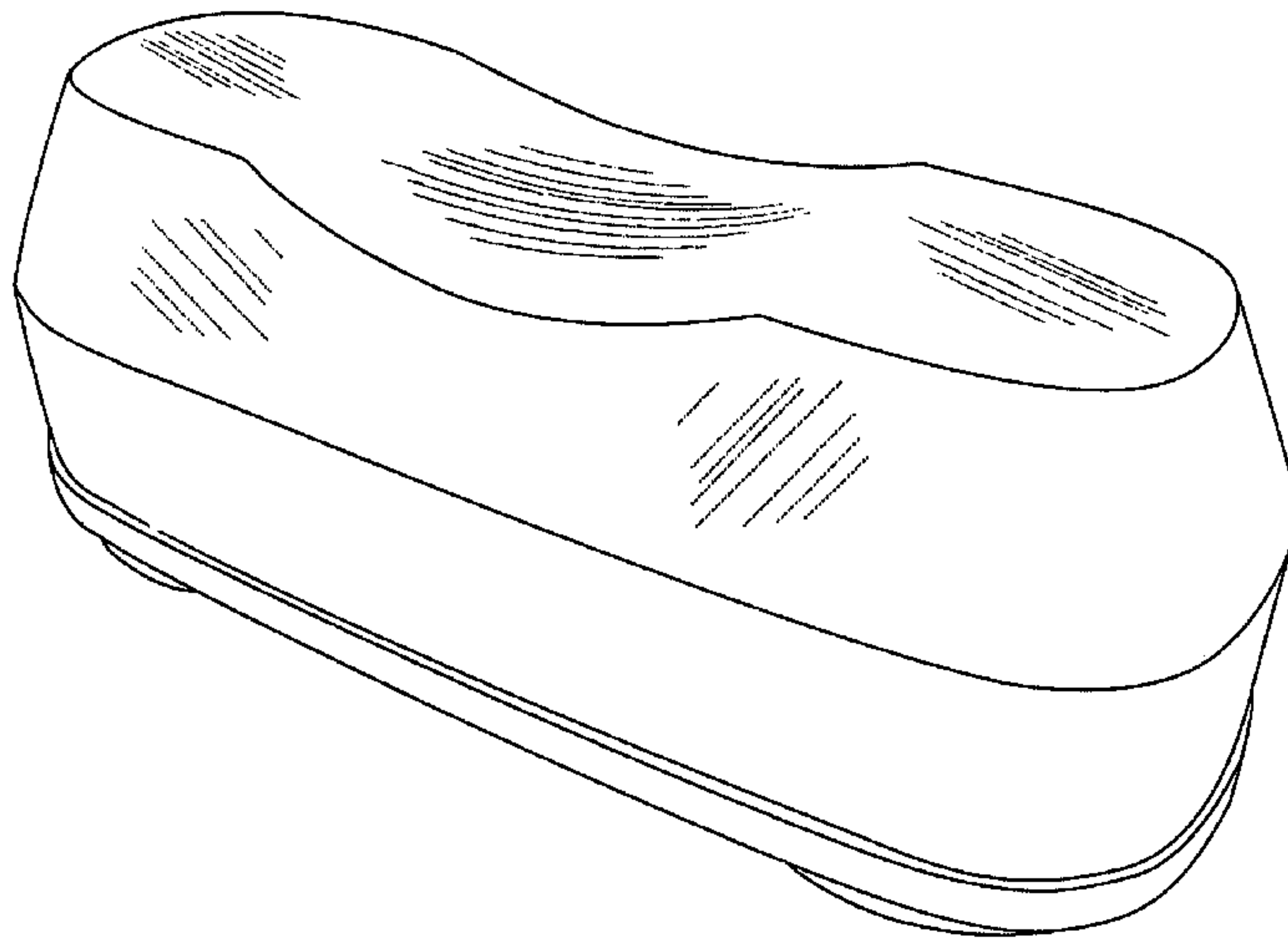
The broken lines depict unclaimed environmental subject matter.

(56) **References Cited**

U.S. PATENT DOCUMENTS

D431,489 S * 10/2000 Eckersley D10/114.4
D559,424 S * 1/2008 Martineau et al. D26/85
D604,188 S * 11/2009 Shin D10/114.4

1 Claim, 3 Drawing Sheets



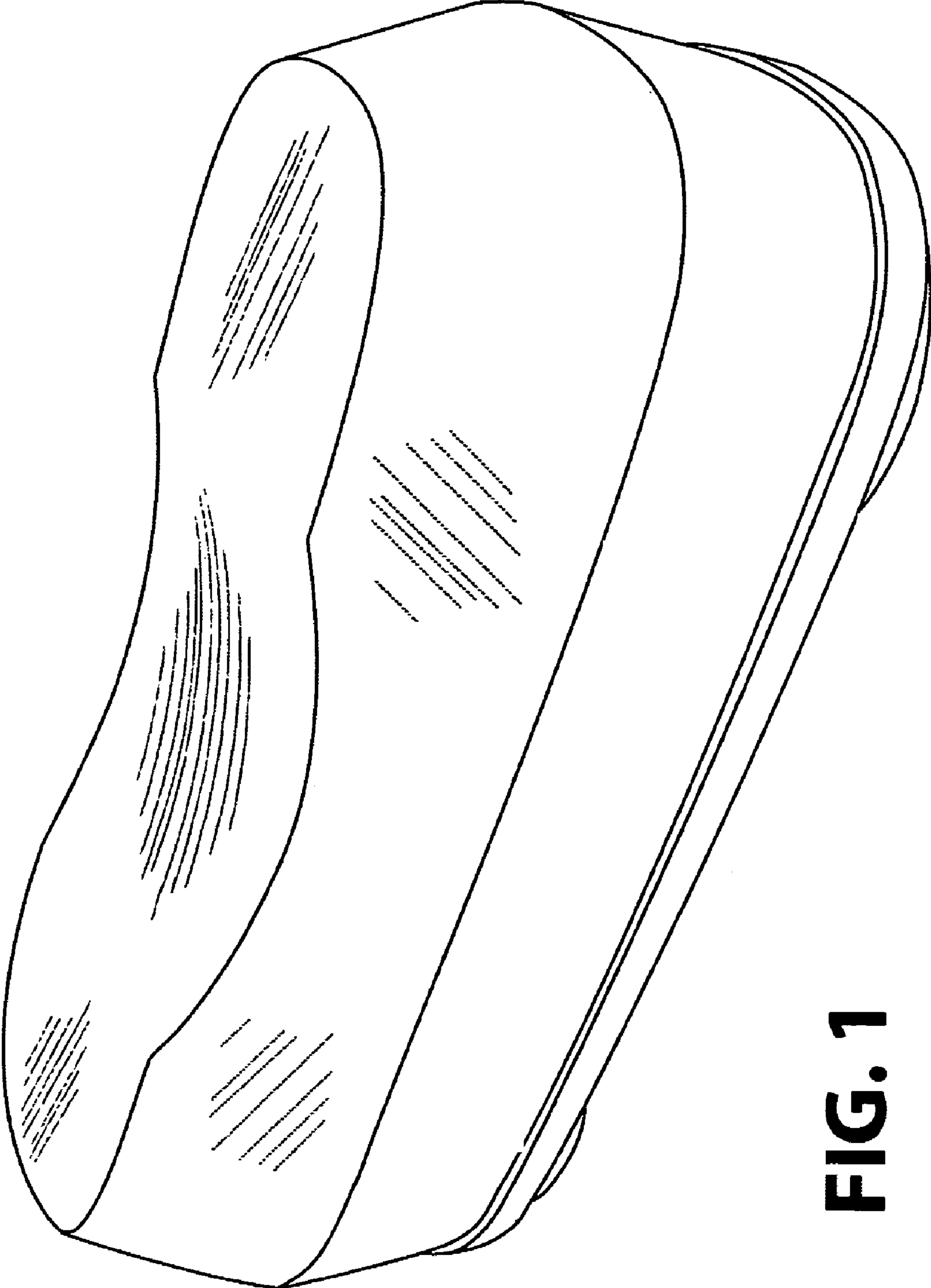


FIG. 1

FIG. 2

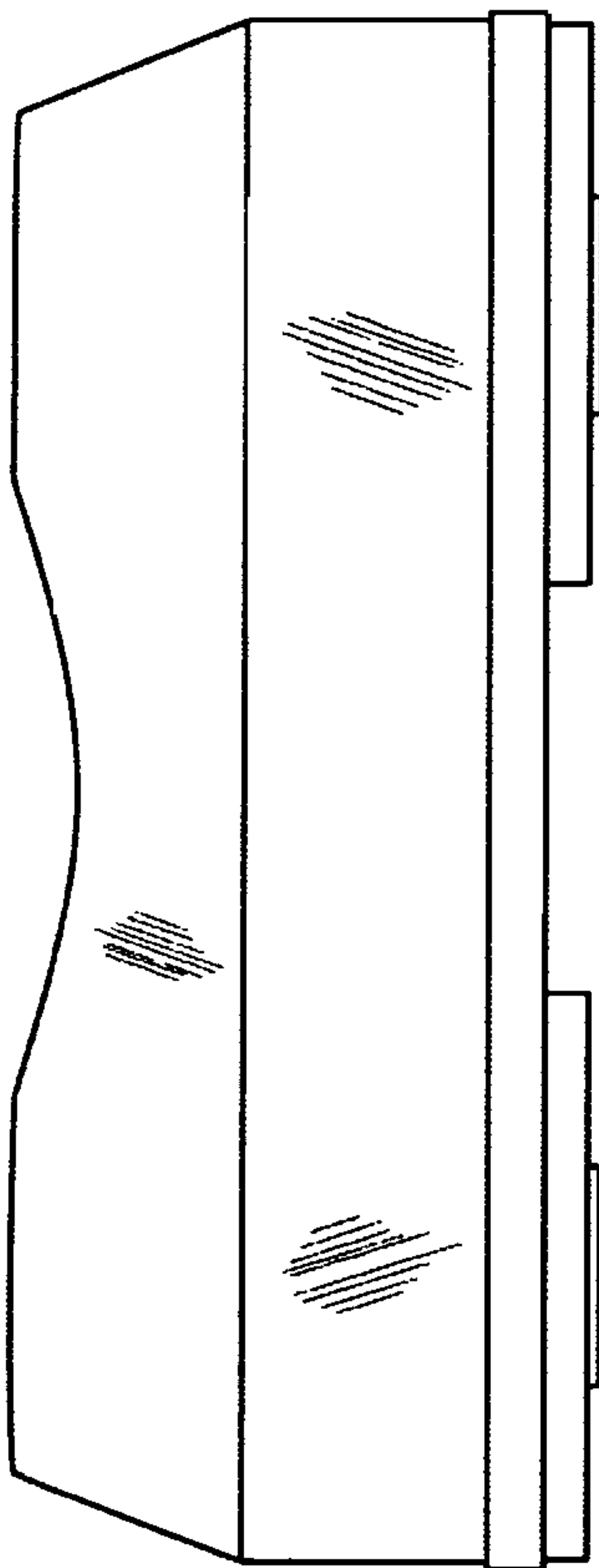


FIG. 3

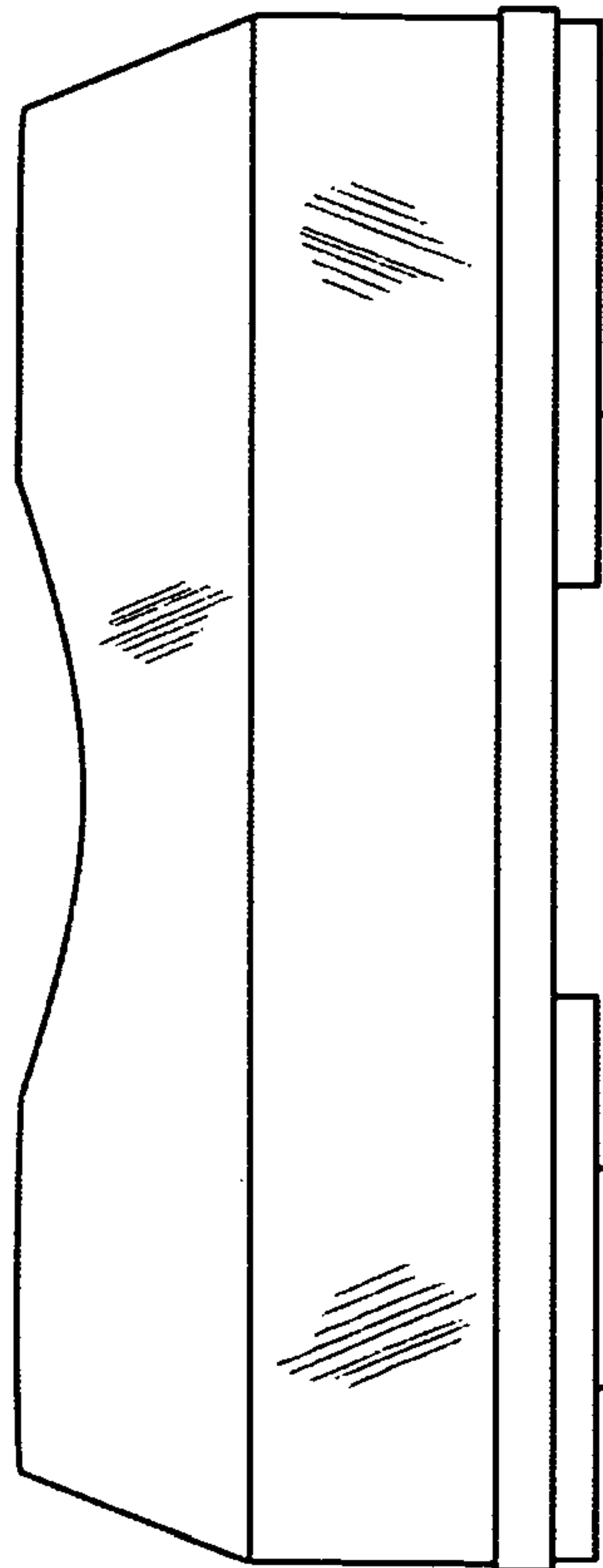


FIG. 4

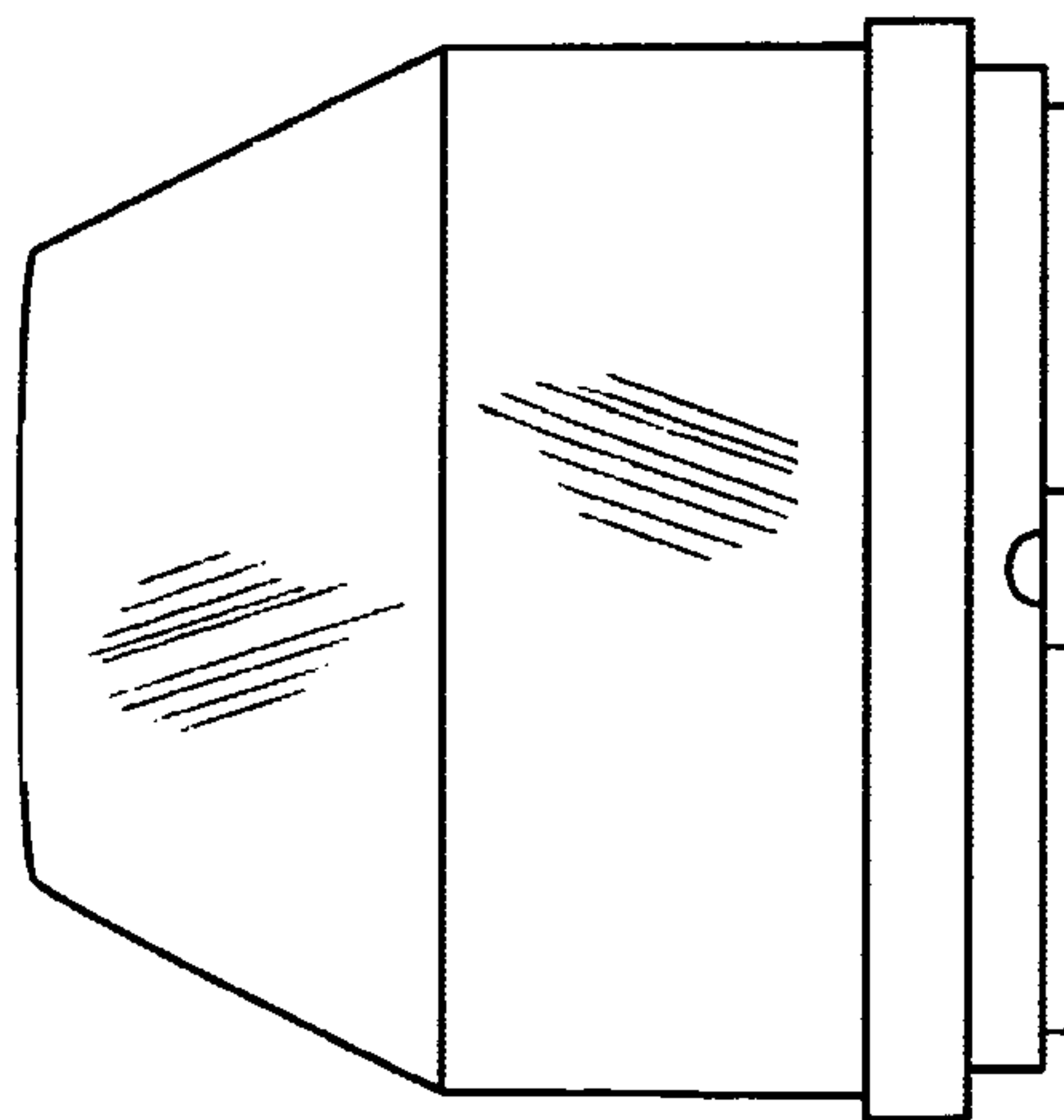


FIG. 5

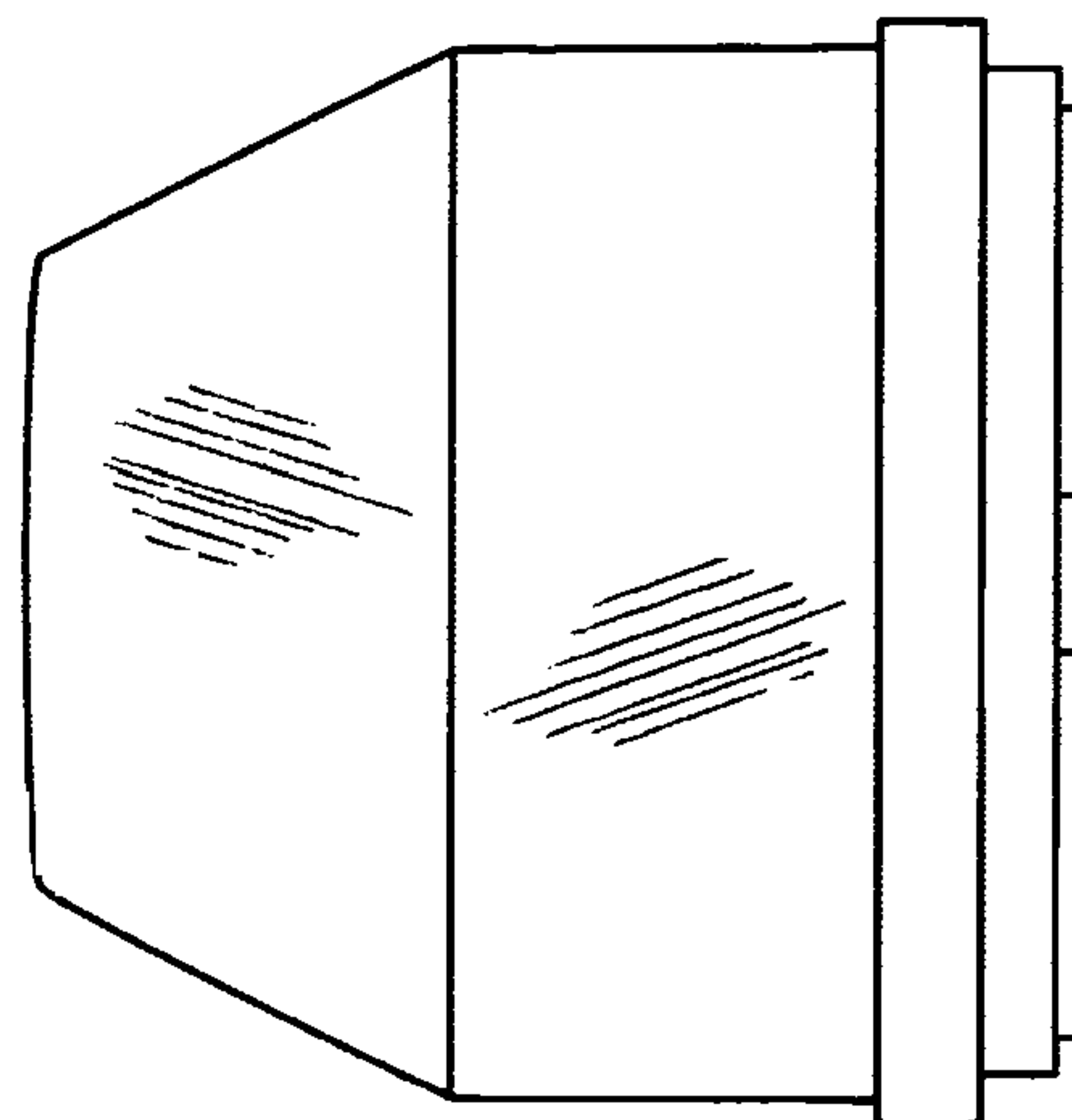


FIG. 6

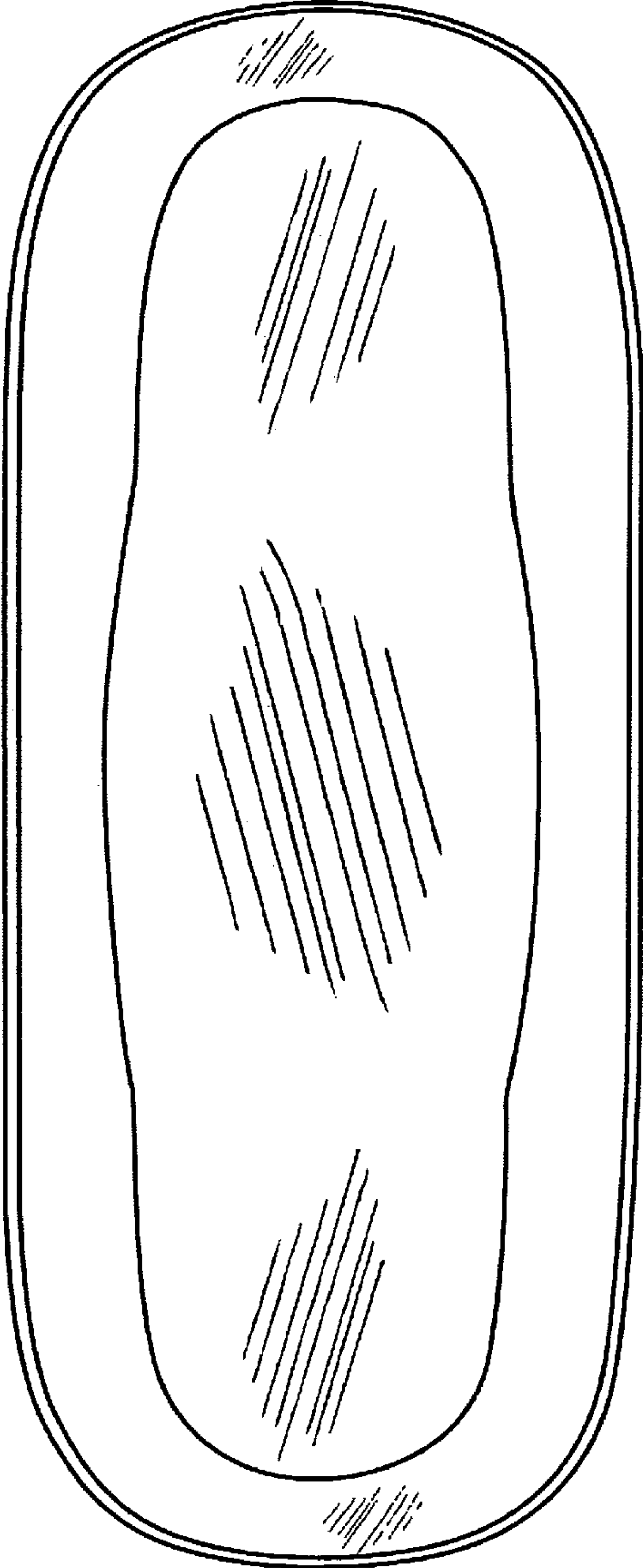


FIG. 7

