



US00D653139S

(12) **United States Design Patent**
Lee

(10) **Patent No.:** **US D653,139 S**
(45) **Date of Patent:** **** Jan. 31, 2012**

(54) **REFLECTIVE PAVEMENT MARKER**

(75) Inventor: **Hung-Chen Lee**, Taipei (TW)

(73) Assignee: **Techeye Optics Technologies Co., Ltd.**,
Taipei (TW)

(**) Term: **14 Years**

(21) Appl. No.: **29/403,256**

(22) Filed: **Oct. 4, 2011**

(51) **LOC (9) Cl.** **10-05**

(52) **U.S. Cl.** **D10/113.1**

(58) **Field of Classification Search** D10/111,
D10/113.1; 404/9, 12, 15, 16
See application file for complete search history.

(56) **References Cited**

U.S. PATENT DOCUMENTS

5,403,115	A *	4/1995	Flader	404/9
D422,932	S *	4/2000	Khieu et al.	D10/113.1
D431,488	S *	10/2000	Jonasz	D10/113.1
D492,907	S *	7/2004	Attar	D10/113.1

2002/0025222	A1 *	2/2002	Attar	404/16
2002/0197108	A1 *	12/2002	Attar	404/16
2009/0041541	A1 *	2/2009	Lowe	404/14

* cited by examiner

Primary Examiner — George D Kirschbaum

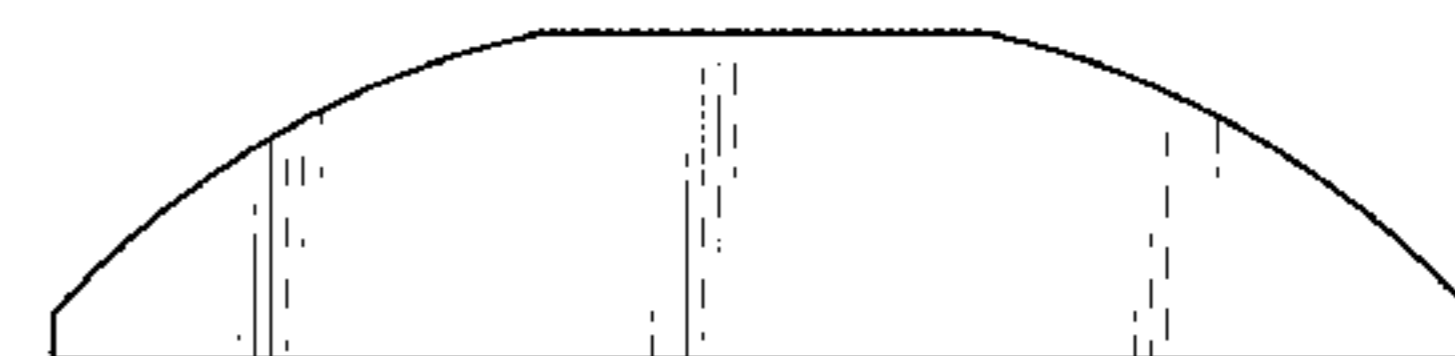
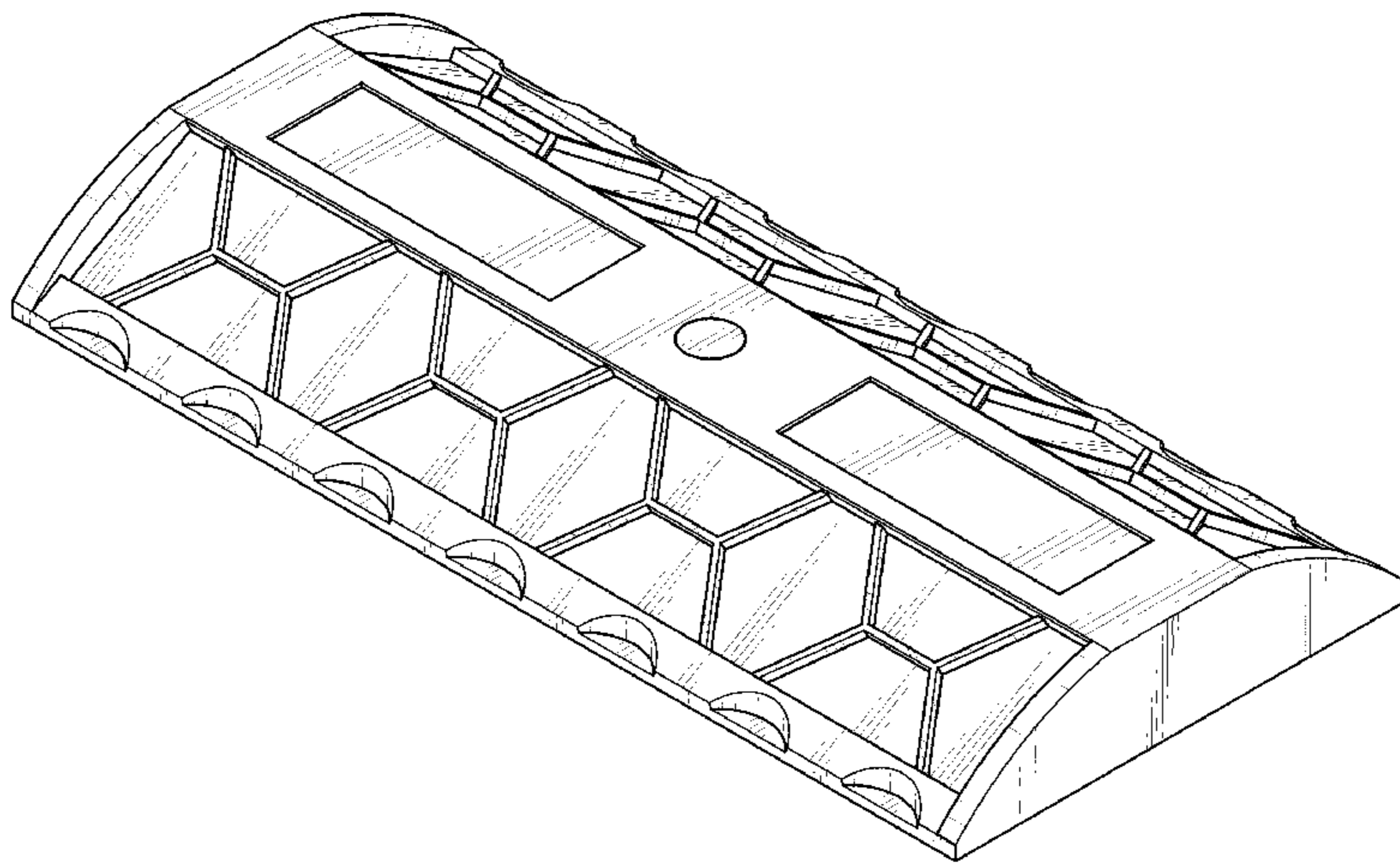
(57) **CLAIM**

The ornamental design for a reflective pavement marker, as shown.

DESCRIPTION

FIG. 1 is a perspective view of a pavement marker showing my new design;
FIG. 2 is a front elevational view thereof, the rear elevational view being the same; and,
FIG. 3 is a left side elevational view thereof, the right side elevational view being the same.
FIG. 4 is a top plan view thereof; and,
FIG. 5 is a bottom elevational view thereof.
The broken lines depict unclaimed environmental subject matter.

1 Claim, 4 Drawing Sheets



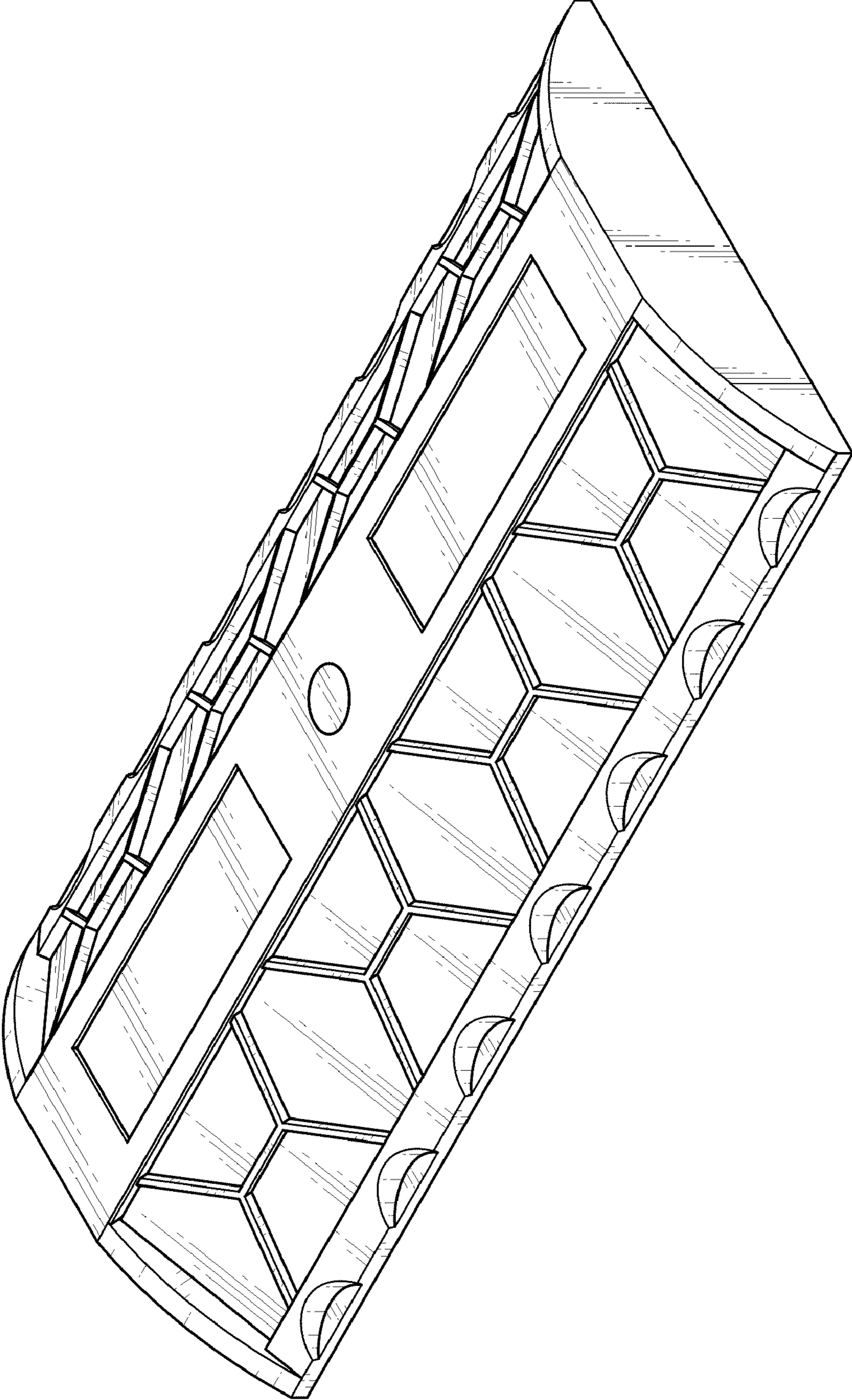


FIG. 1

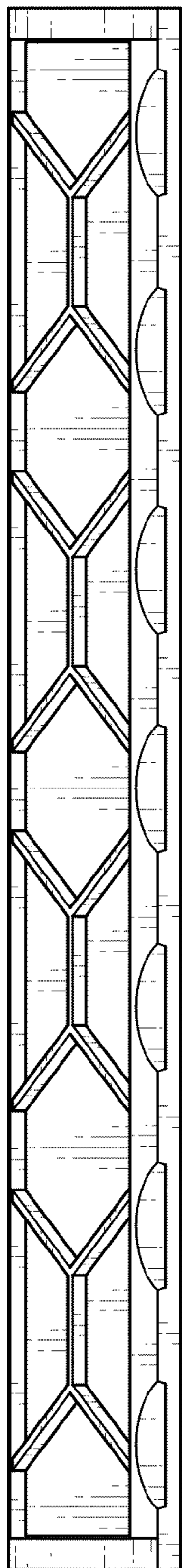


FIG. 2

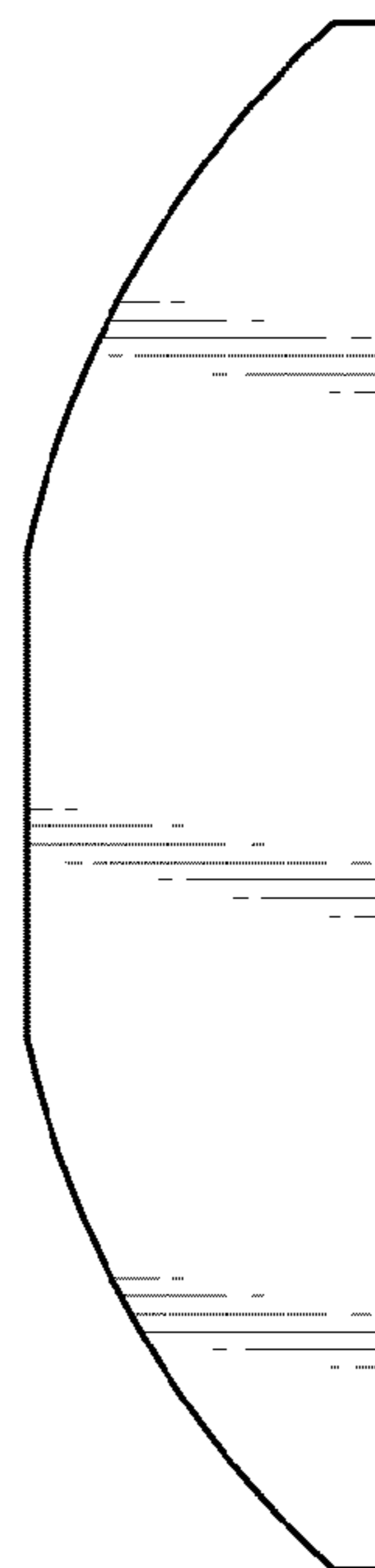


FIG. 3

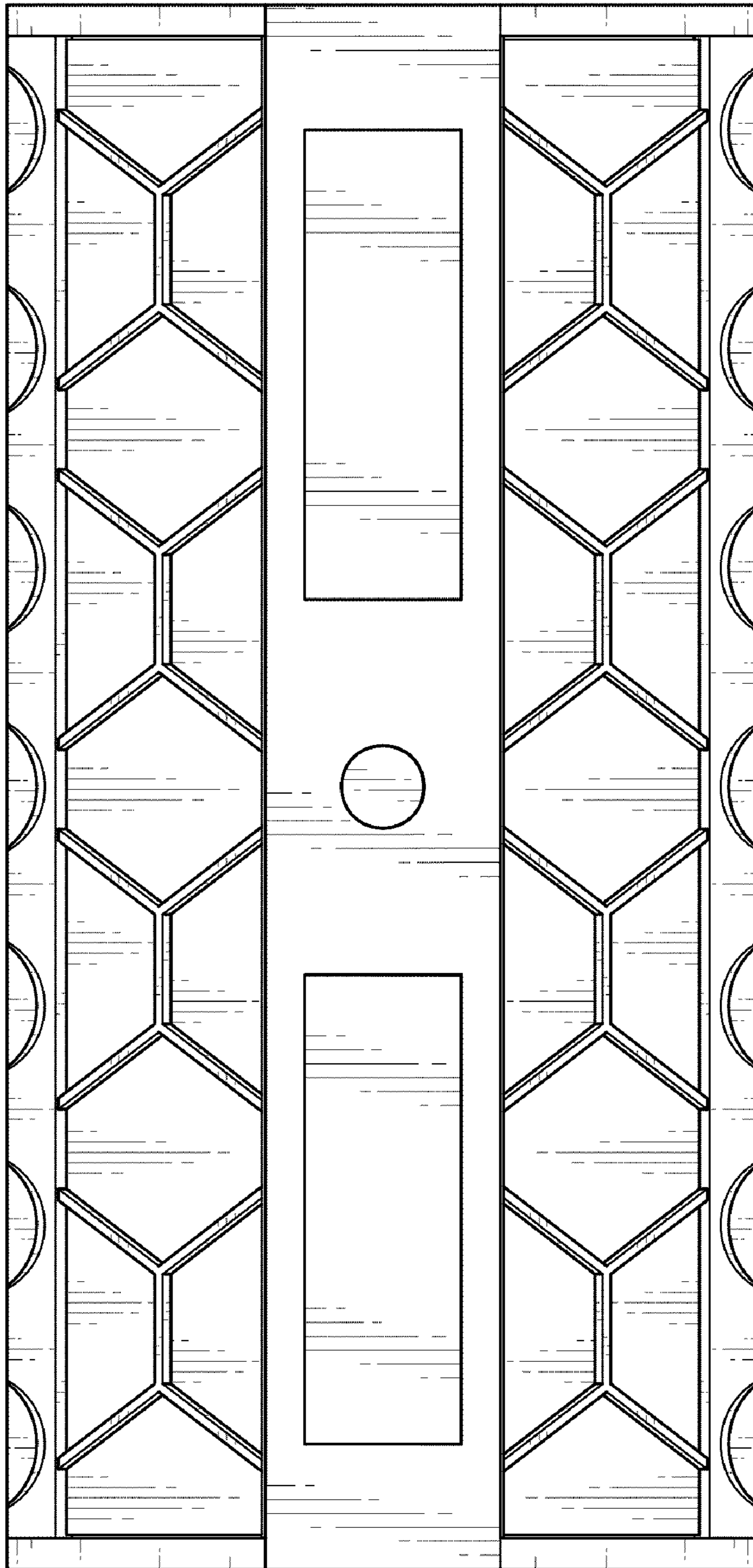


FIG. 4

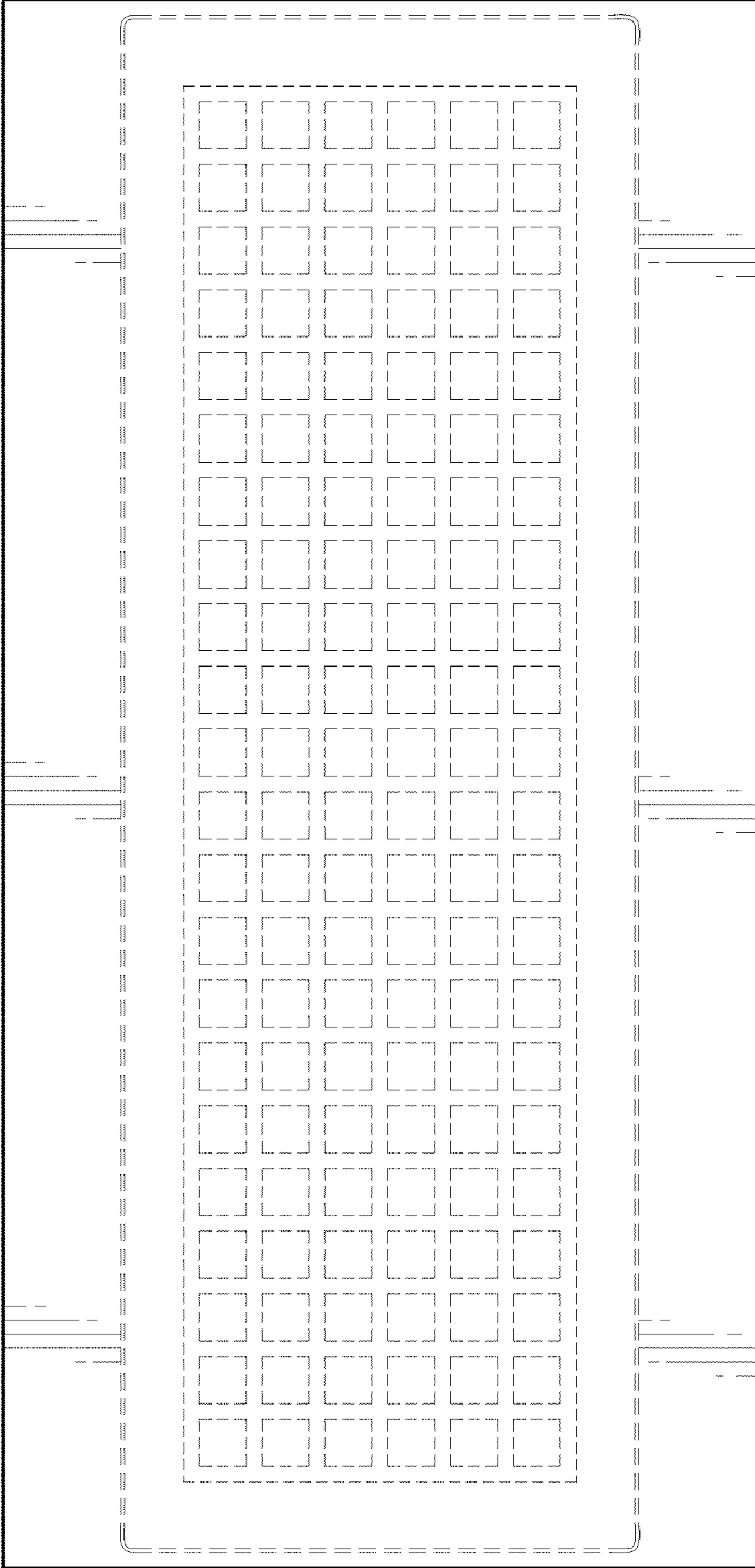


FIG. 5