



US00D653138S

(12) **United States Design Patent**  
**Taylor et al.**

(10) **Patent No.:** **US D653,138 S**  
(45) **Date of Patent:** **\*\* Jan. 31, 2012**

(54) **COMBINATION SMOKE AND CARBON MONOXIDE DETECTOR**

(76) Inventors: **Sundel Taylor**, Brooklyn, NY (US);  
**Michelle Parkes**, Brooklyn, NY (US)

(\*\*) Term: **14 Years**

(21) Appl. No.: **29/396,228**

(22) Filed: **Jun. 27, 2011**

(51) **LOC (9) Cl.** ..... **10-05**

(52) **U.S. Cl.** ..... **D10/106.2**

(58) **Field of Classification Search** ..... D10/106.5,  
D10/106.2, 121, 98, 81, 47; 340/628, 632,  
340/634, 544, 545, 555, 558, 571, 693.6;  
493/333

See application file for complete search history.

(56) **References Cited**

U.S. PATENT DOCUMENTS

D350,300 S \* 9/1994 Browning et al. .... D10/106.2  
D368,038 S \* 3/1996 Velazquez ..... D10/47

D385,503 S \* 10/1997 Velazquez ..... D10/106.2  
7,492,253 B2 2/2009 Ollis et al.  
D600,583 S 9/2009 Treharne  
2007/0194908 A1 8/2007 Ayala  
2008/0303678 A1 12/2008 McCredy  
2009/0212959 A1 8/2009 Suber, III

\* cited by examiner

*Primary Examiner* — George D Kirschbaum

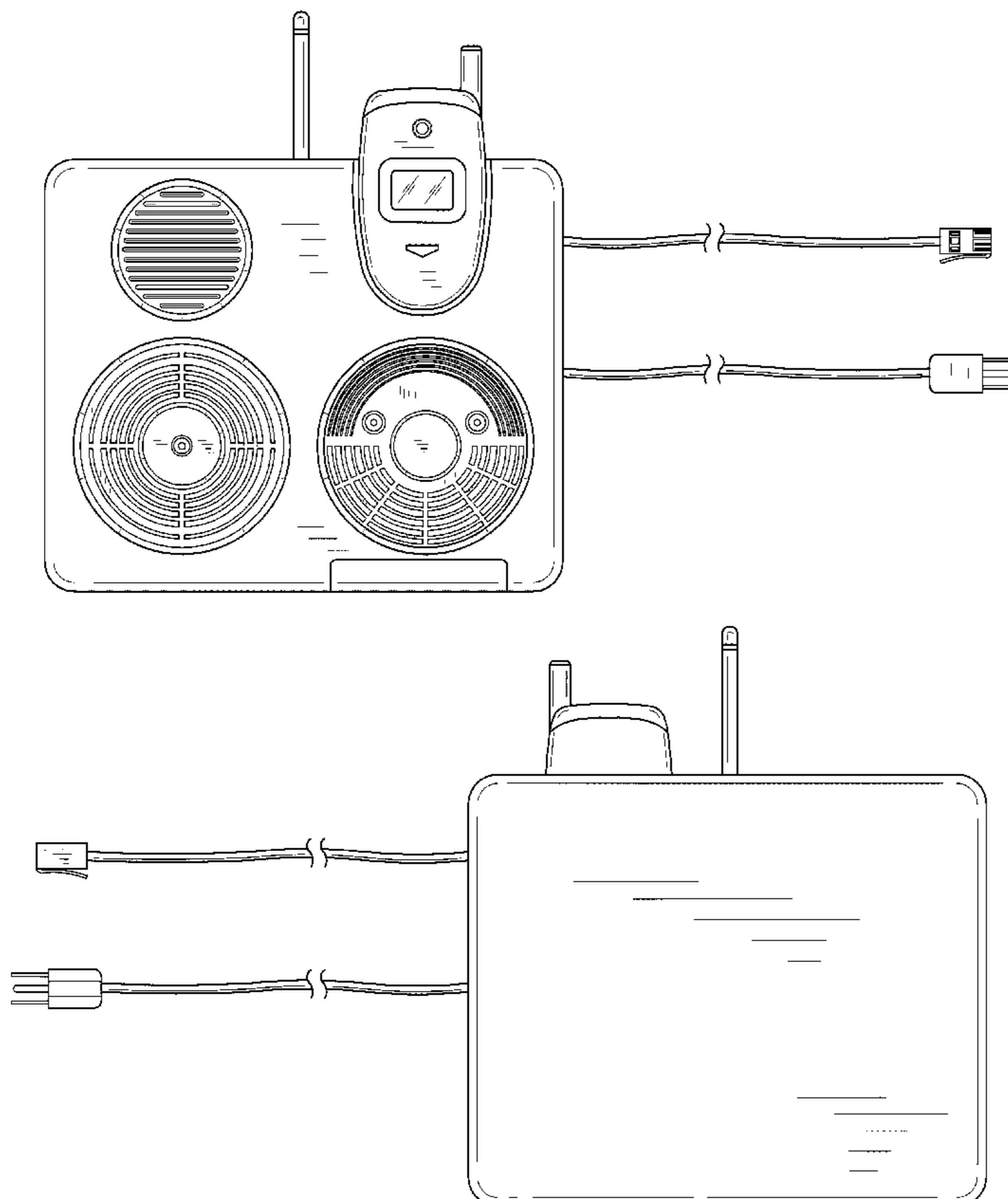
(57) **CLAIM**

The ornamental design for a combination smoke and carbon monoxide detector, as shown and described.

**DESCRIPTION**

FIG. 1 is a front elevation view of a combination smoke and carbon monoxide detector showing our new design; FIG. 2 is a rear elevation view thereof; FIG. 3 is a right elevation view thereof; FIG. 4 is a left elevation view thereof; FIG. 5 is a top plan view thereof; FIG. 6 is a bottom plan view thereof; and, FIG. 7 is an isometric view thereof.

**1 Claim, 5 Drawing Sheets**



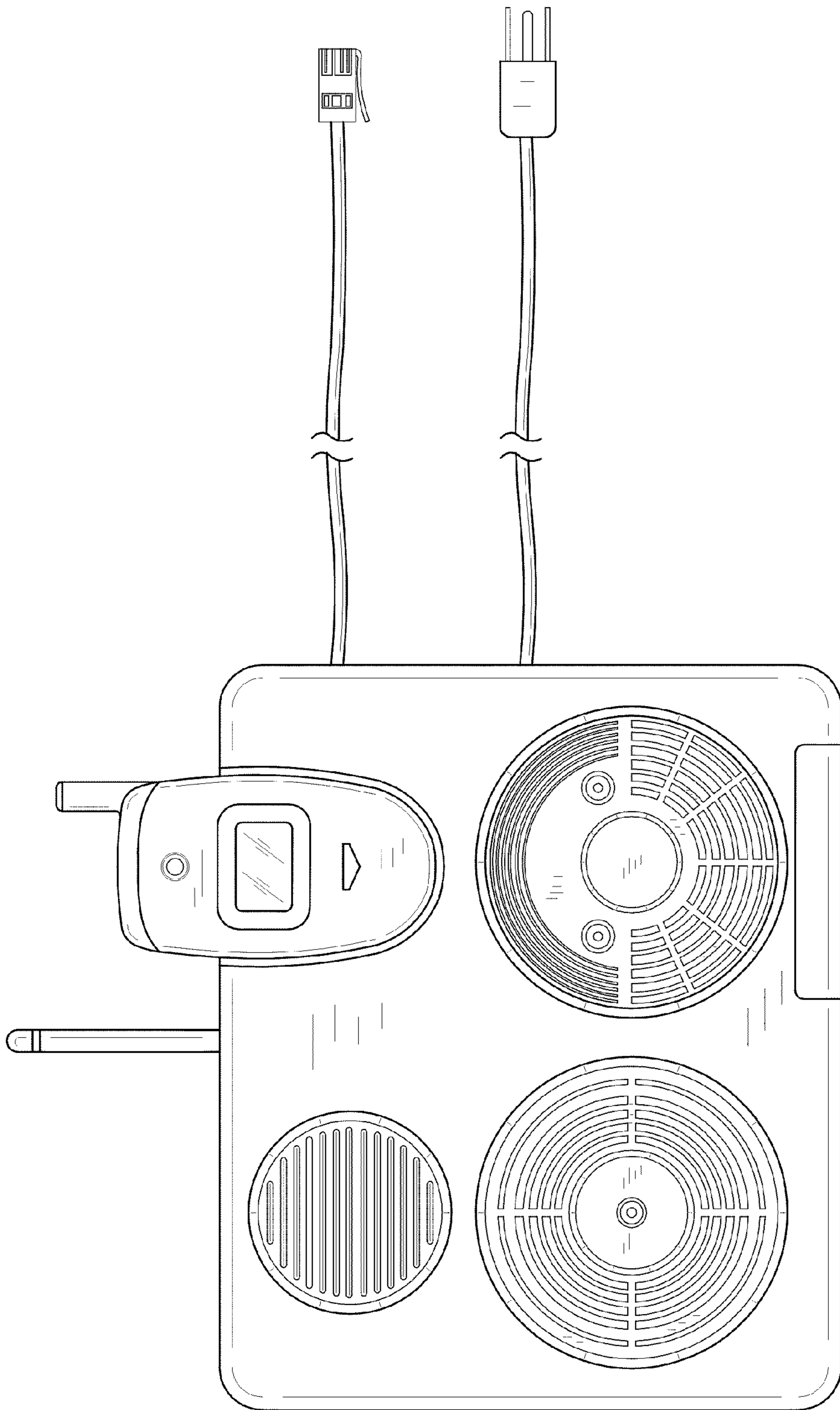


FIG. 1

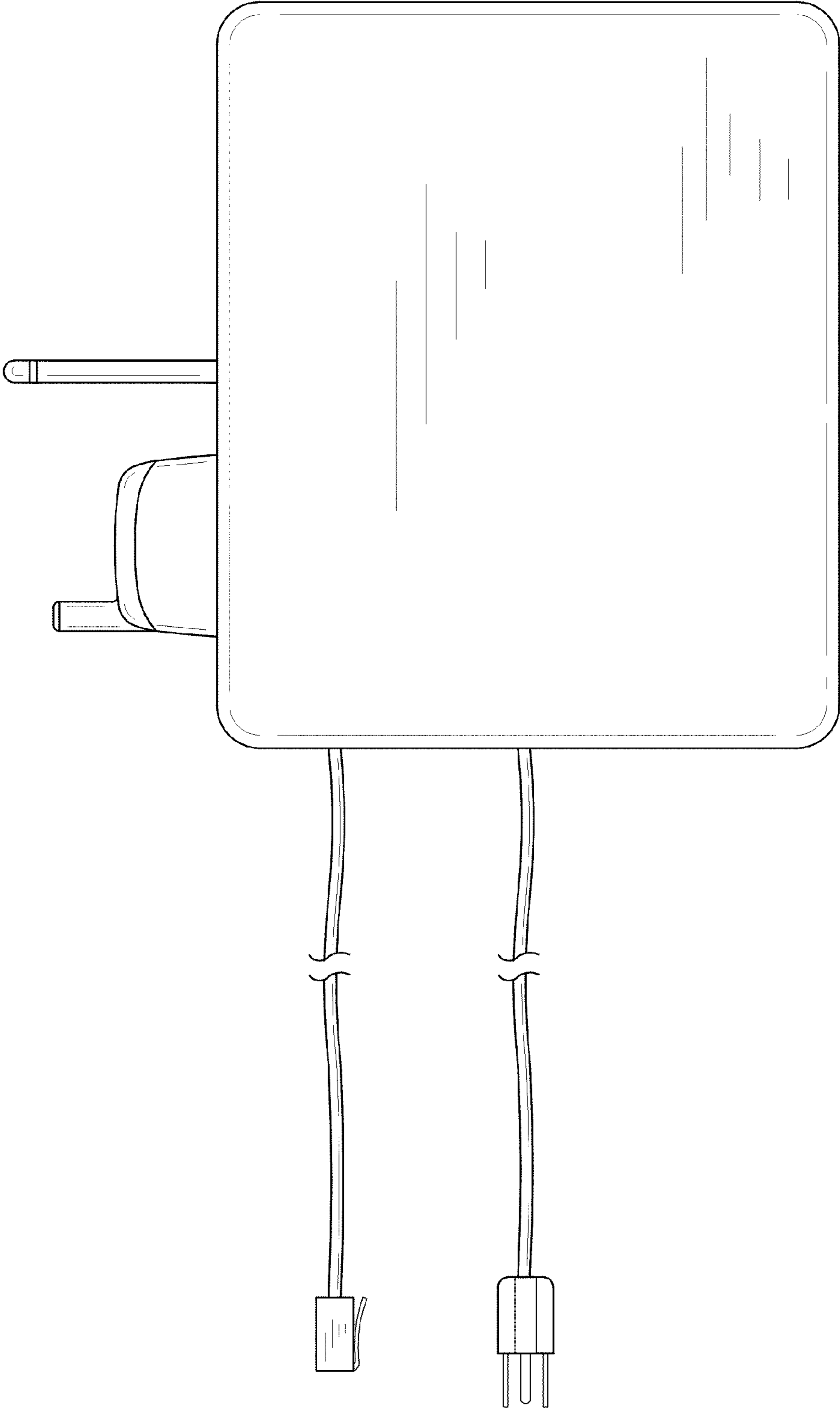


FIG. 2

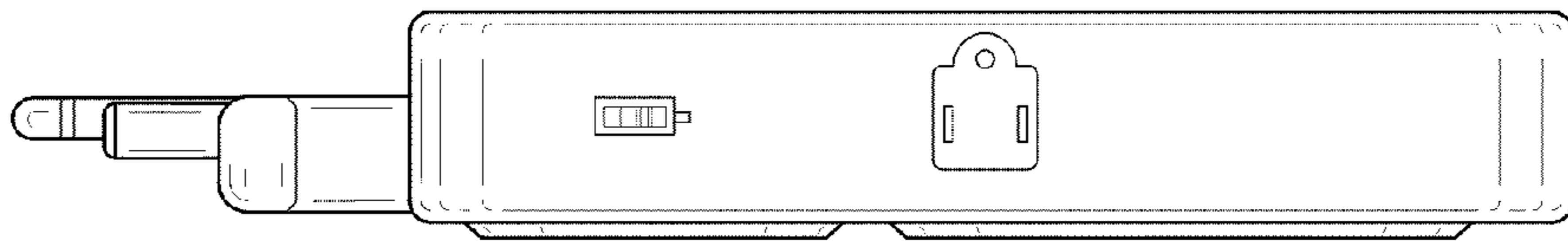


FIG. 4

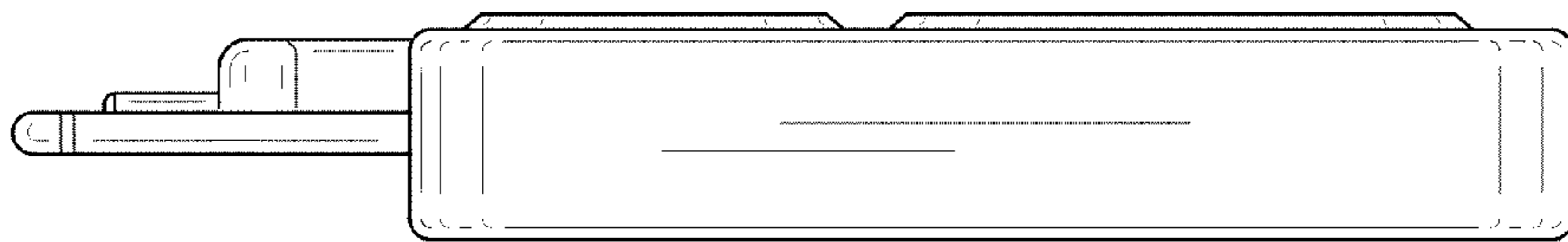


FIG. 3

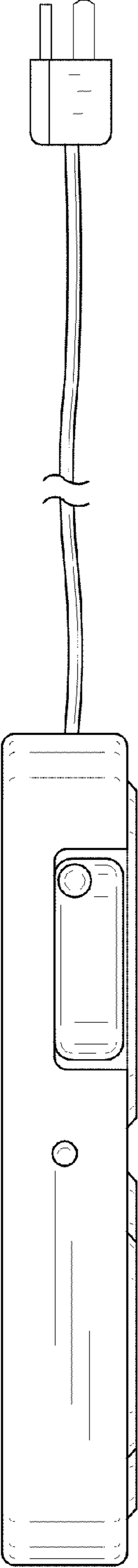


FIG. 5

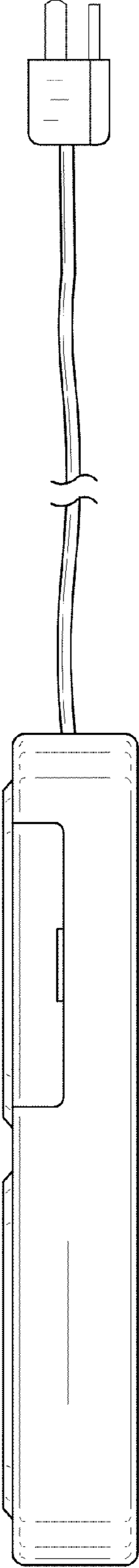


FIG. 6

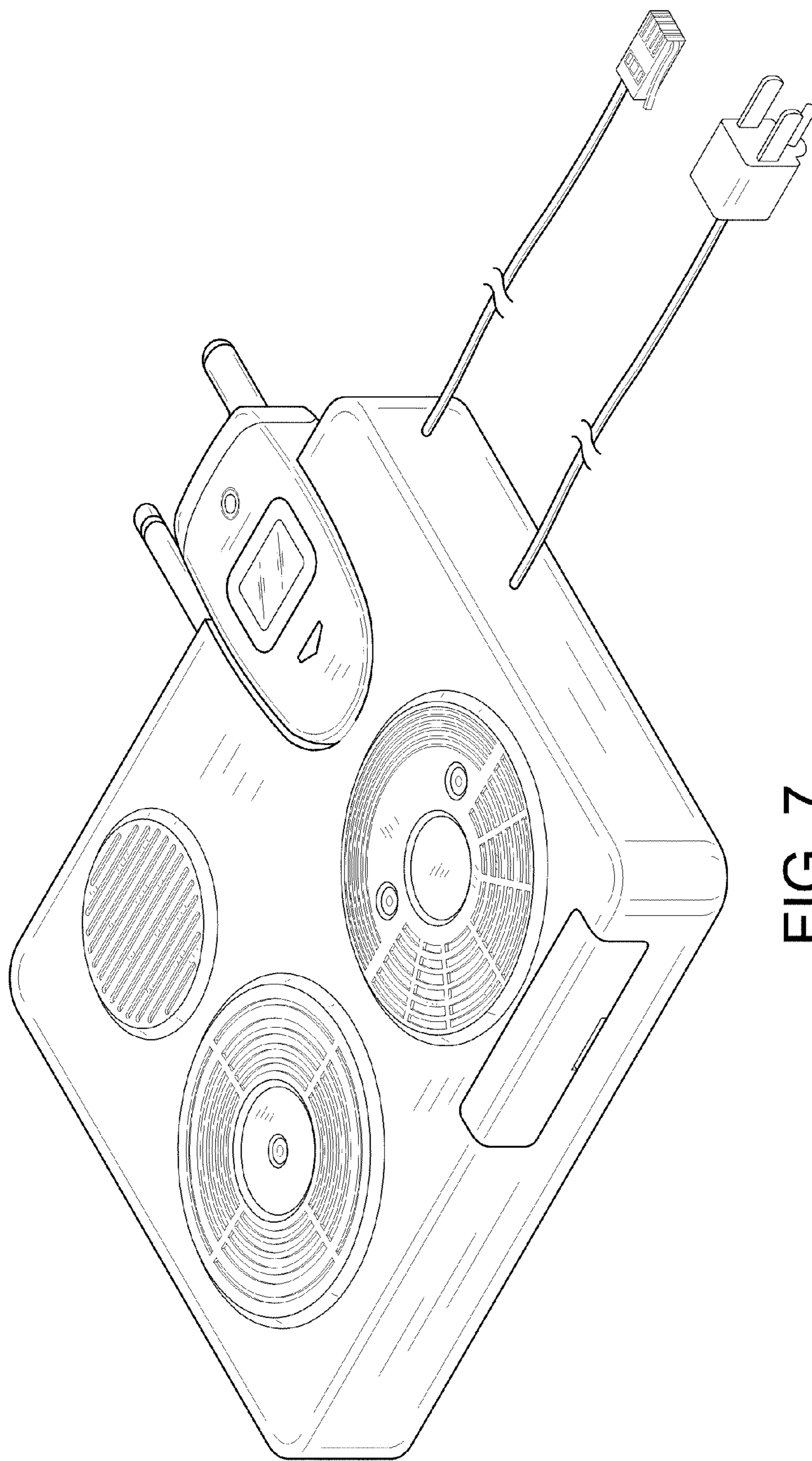


FIG. 7