



US00D653135S

(12) **United States Design Patent**
Sheikh

(10) **Patent No.:** **US D653,135 S**

(45) **Date of Patent:** **** Jan. 31, 2012**

(54) **HANDHELD ELECTRONIC LUGGAGE SCALE**

(75) Inventor: **Haroon Sheikh**, Miami, FL (US)

(73) Assignee: **Heys (USA), Inc.**, Weston, FL (US)

(**) Term: **14 Years**

(21) Appl. No.: **29/368,726**

(22) Filed: **Aug. 27, 2010**

(51) **LOC (9) Cl.** **10-04**

(52) **U.S. Cl.** **D10/89**

(58) **Field of Classification Search** D10/87-92,
D10/94; 177/238-245, 210 R, 210 C, 25,
177/30, 25.15, 25.16, 25.13, 126, 127, DIG. 1,
177/131, 148, 149; 600/506, 547
See application file for complete search history.

(56) **References Cited**

U.S. PATENT DOCUMENTS

1,171,678	A	2/1916	Trotter
2,104,935	A	1/1938	Solomon
2,536,169	A	1/1951	Gray
3,061,057	A	10/1962	Miller
3,443,671	A	5/1969	Dyke
4,773,515	A	9/1988	Kotkins, Jr.
D312,352	S	11/1990	King
5,358,082	A	10/1994	Armstrong, IV
D373,105	S	8/1996	Imotani
6,021,874	A	2/2000	Nykoluk
6,059,078	A	5/2000	Nykoluk
6,062,356	A	5/2000	Nykoluk
6,179,101	B1	1/2001	Lin
D438,005	S	2/2001	Tiramani et al.
6,305,514	B1	10/2001	Lin et al.
D462,169	S	9/2002	Giovanni
6,460,668	B1	10/2002	Godshaw et al.
D479,648	S	9/2003	De Lathouwer
6,695,107	B2	2/2004	Godshaw et al.

6,932,427	B2	8/2005	Tamura	
D531,411	S	11/2006	Fenton et al.	
D575,178	S *	8/2008	Thybulle	D10/89
D575,179	S *	8/2008	Thybulle	D10/89
D592,983	S *	5/2009	Schantz	D10/89
D600,150	S *	9/2009	Kritzler	D10/89
D603,734	S *	11/2009	Bhaumik	D10/89
D605,063	S *	12/2009	Rogers	D10/89
D611,374	S *	3/2010	Marshall	D10/89
7,732,719	B1 *	6/2010	Schantz	177/126
2004/0065519	A1	4/2004	Morszeck	
2006/0196743	A1	9/2006	Lin	
2011/0186356	A1 *	8/2011	Sheikh	177/25.13

* cited by examiner

Primary Examiner — Antoine D Davis

(74) *Attorney, Agent, or Firm* — Akerman Senterfitt

(57) **CLAIM**

I claim the ornamental design for a handheld electronic luggage scale, as shown and described.

DESCRIPTION

This design patent application claims priority to U.S. application Ser. No. 12/842,867, filed Jul. 23, 2010, which is a continuation-in-part of U.S. patent application No. 12/829,136, filed Jul. 1, 2010, the entirety of which are hereby incorporated by reference.

FIG. 1 is a perspective view of a handheld electronic luggage scale, showing my new, original and ornamental design;

FIG. 2 is a bottom perspective view of thereof;

FIG. 3 is a left side elevational view thereof;

FIG. 4 is a right side elevational view thereof;

FIG. 5 is a top plan view thereof;

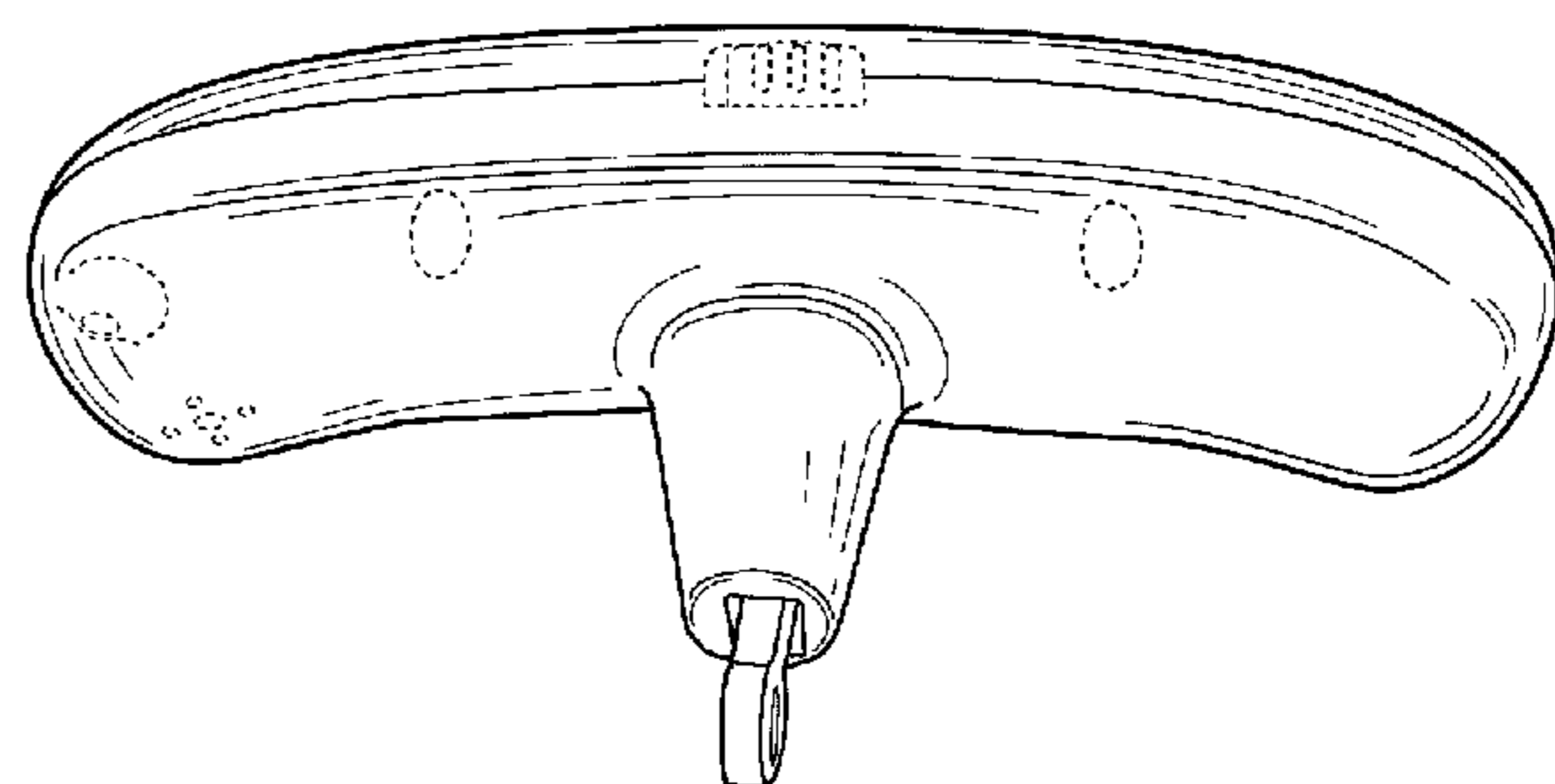
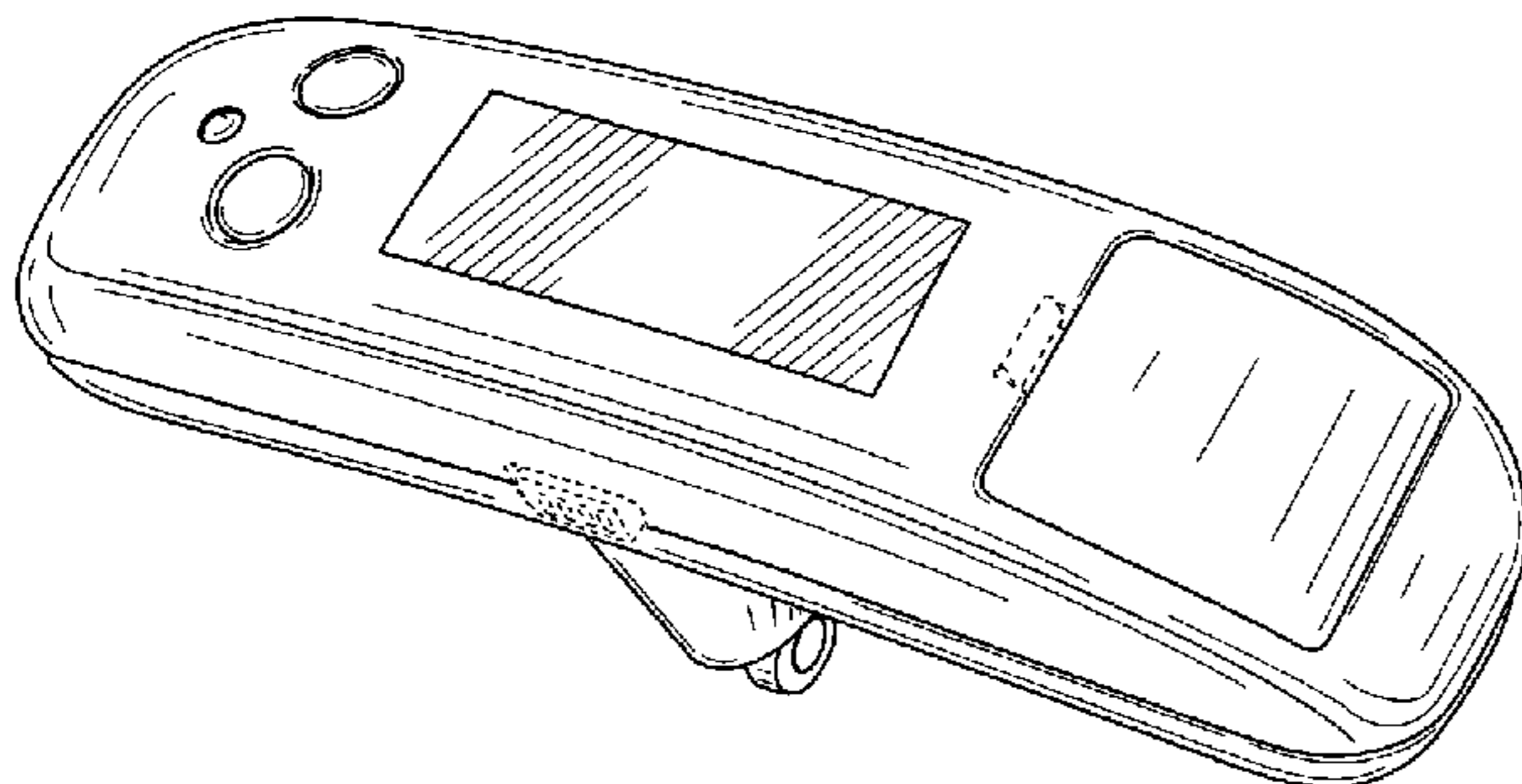
FIG. 6 is a bottom plan view thereof;

FIG. 7 is a rear elevational view thereof; and,

FIG. 8 is a front elevational view thereof.

The broken lines in the Figures are for illustrative purposes only and form no part of the claimed design.

1 Claim, 4 Drawing Sheets



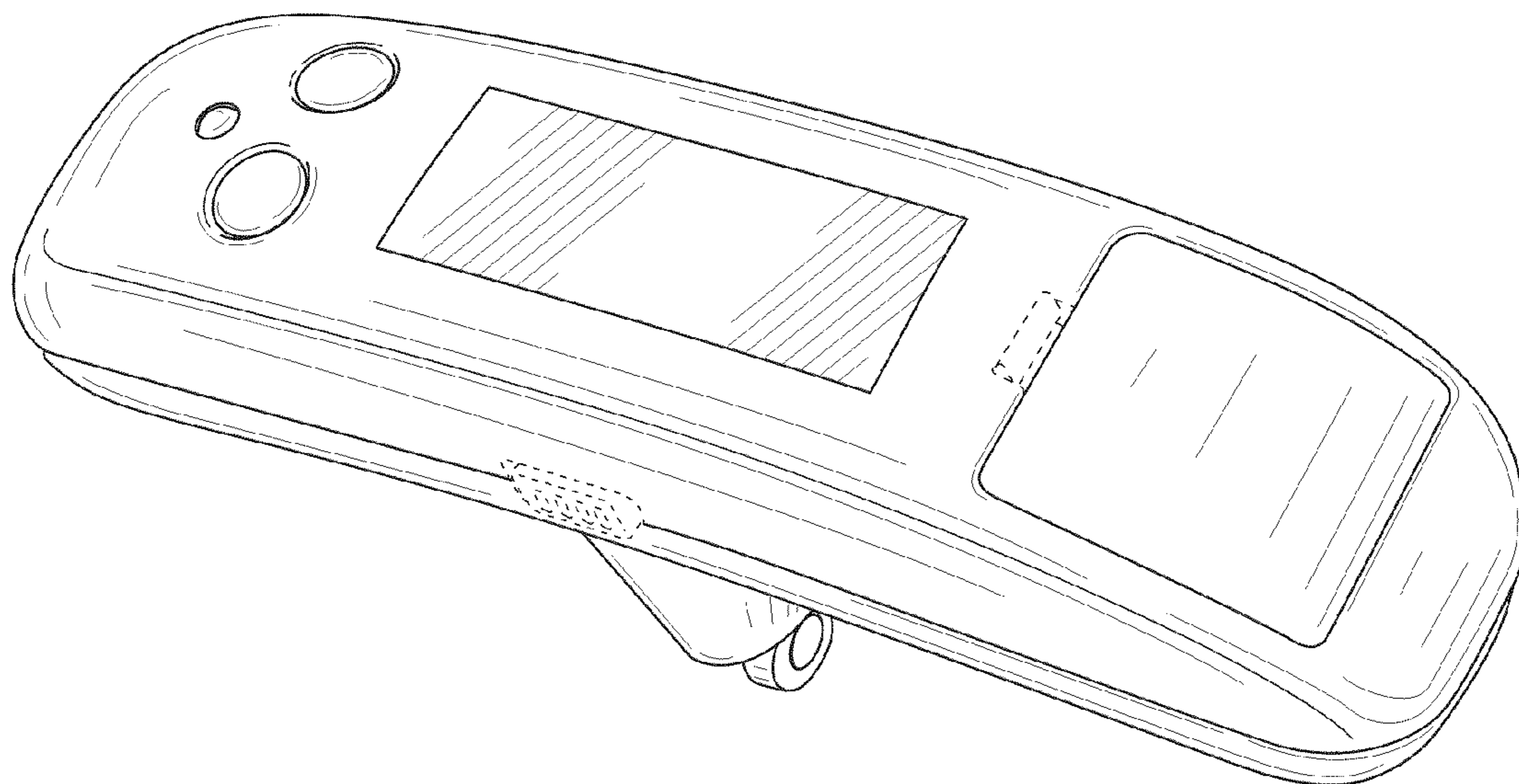


FIG. 1

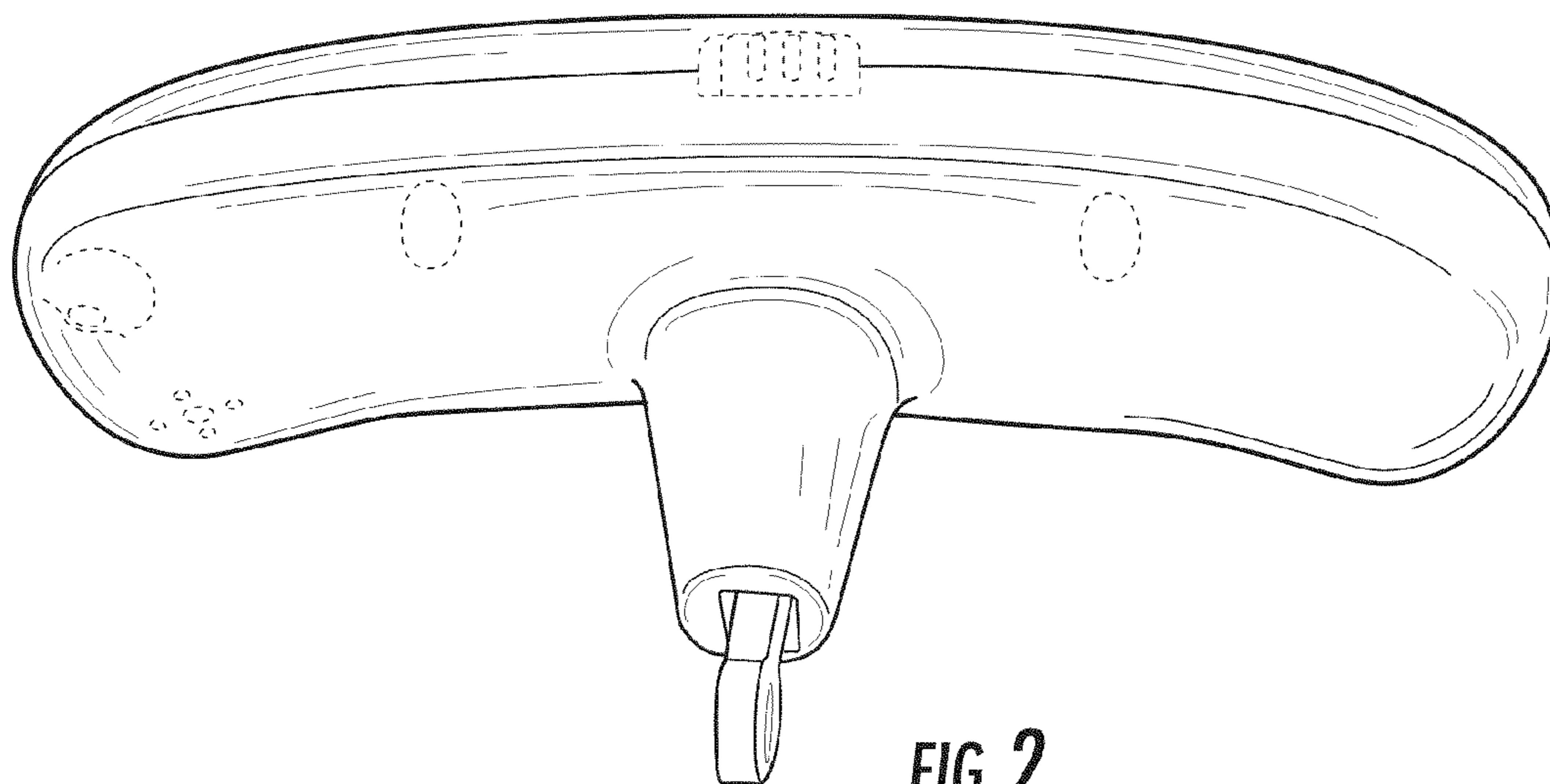


FIG. 2

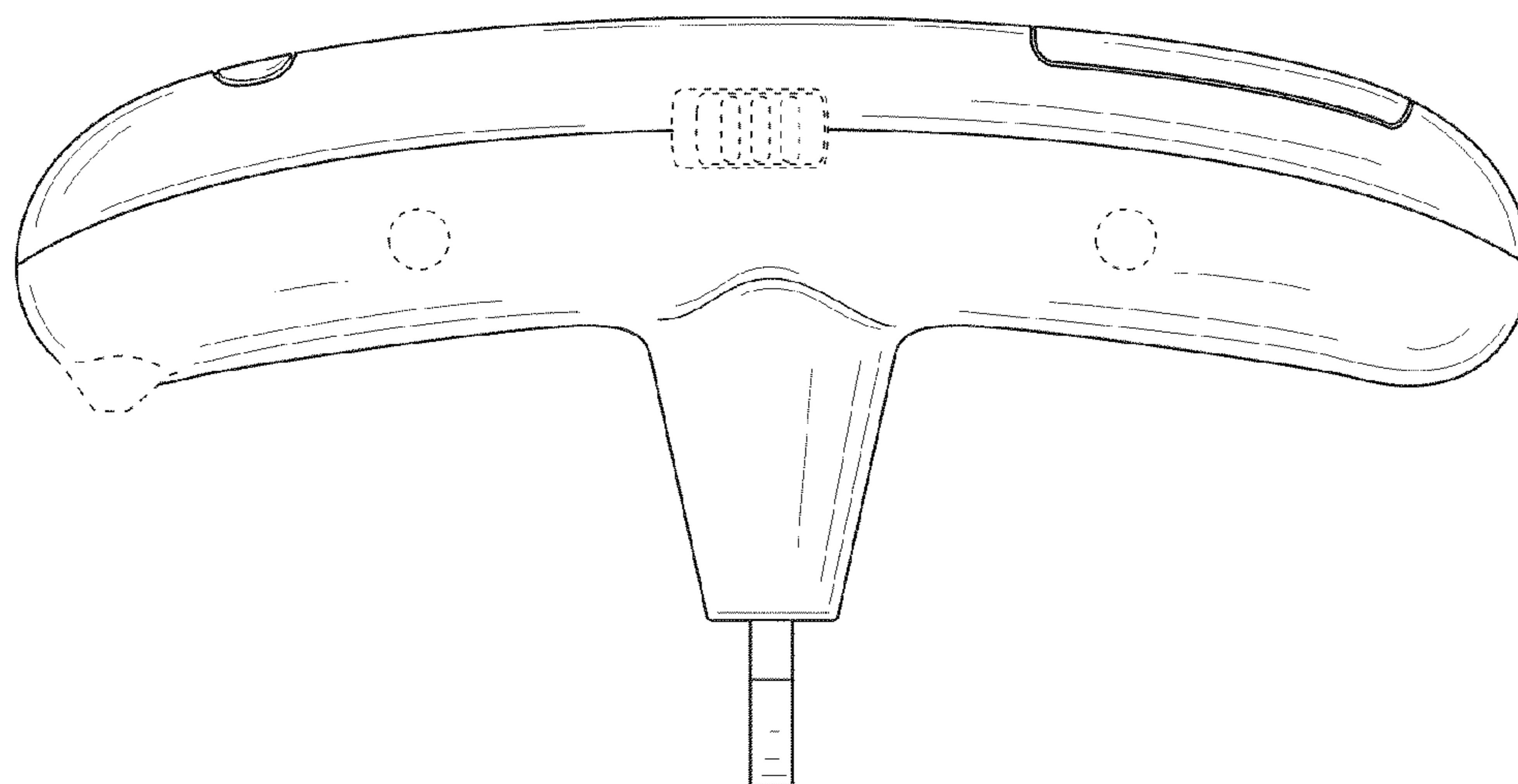


FIG. 3

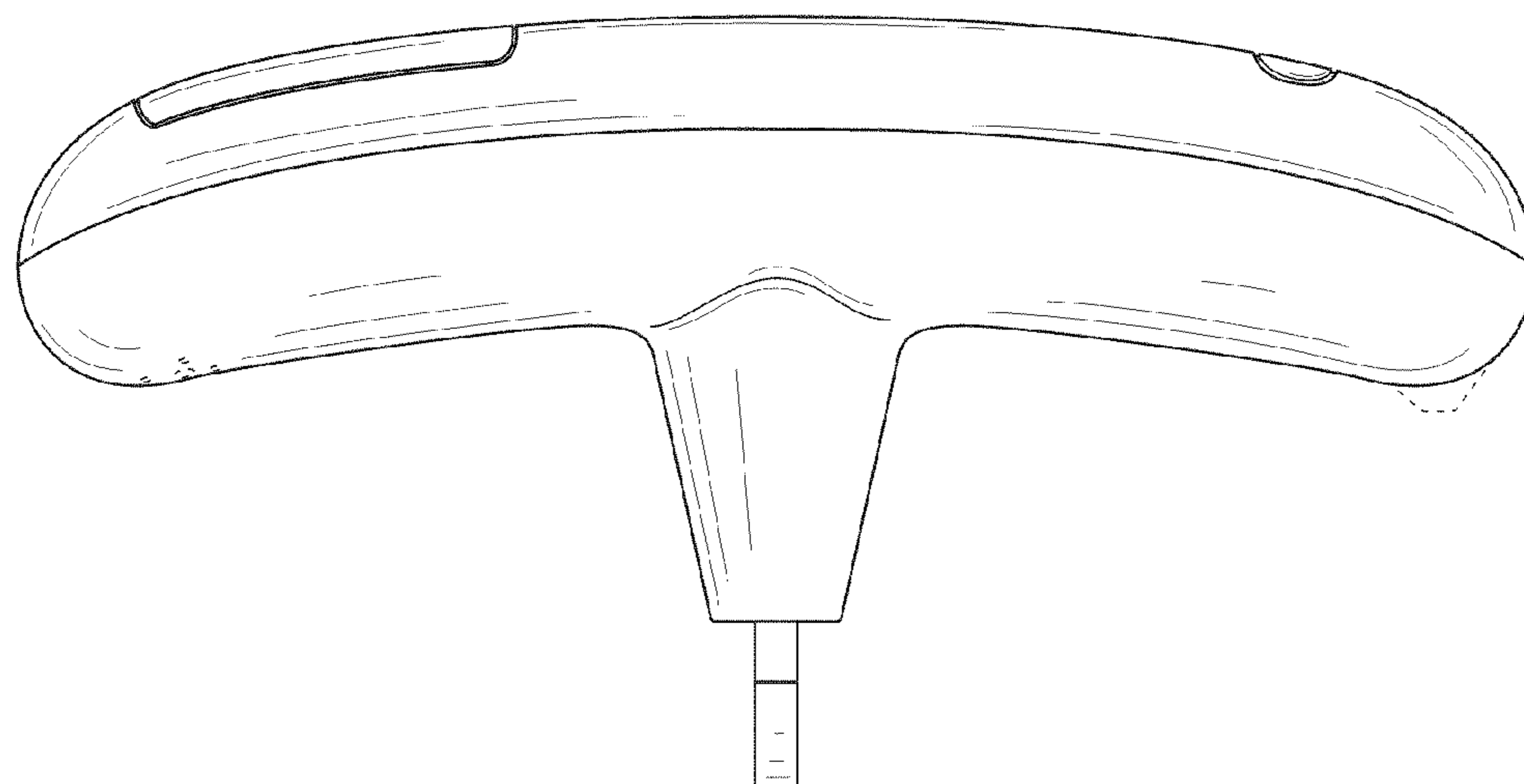


FIG. 4

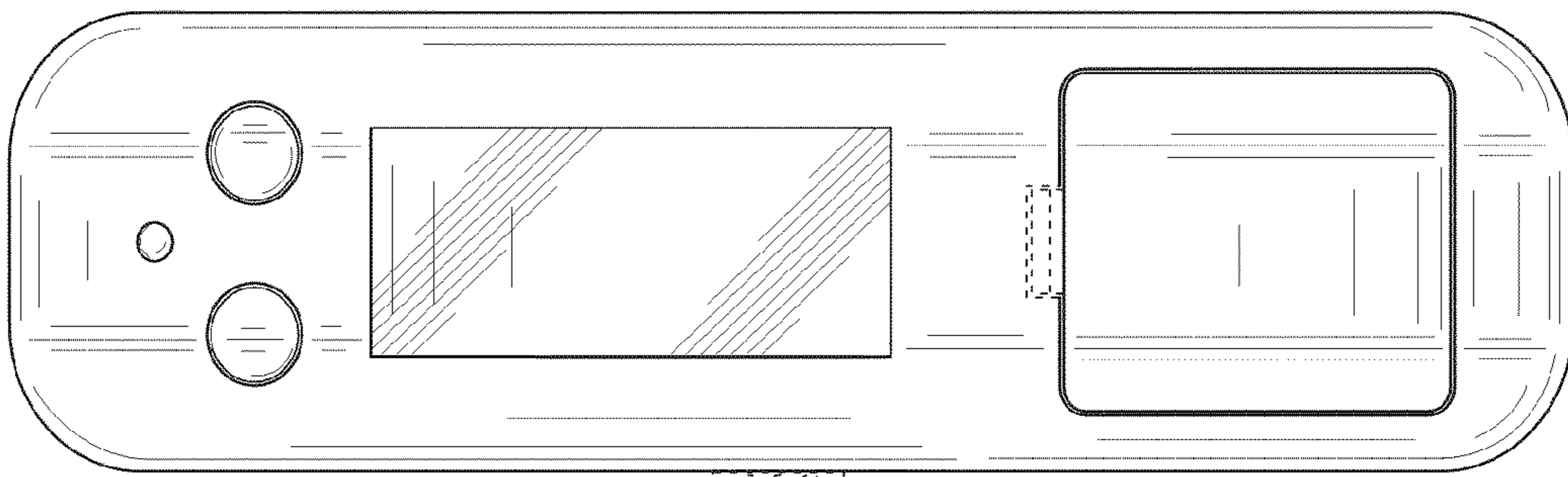


FIG. 5

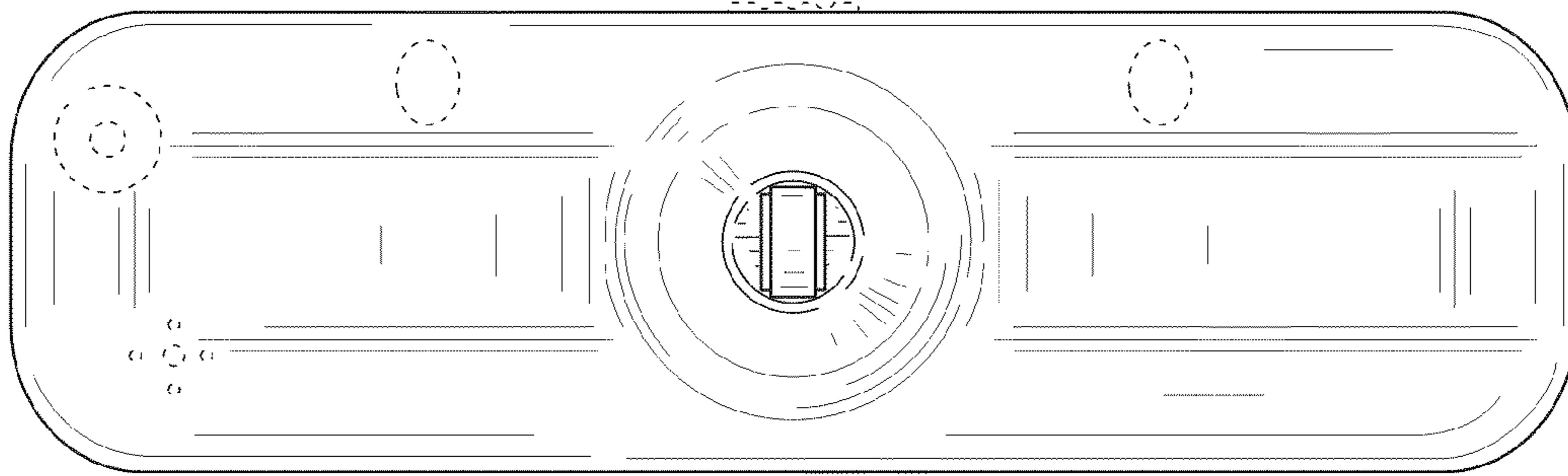


FIG. 6

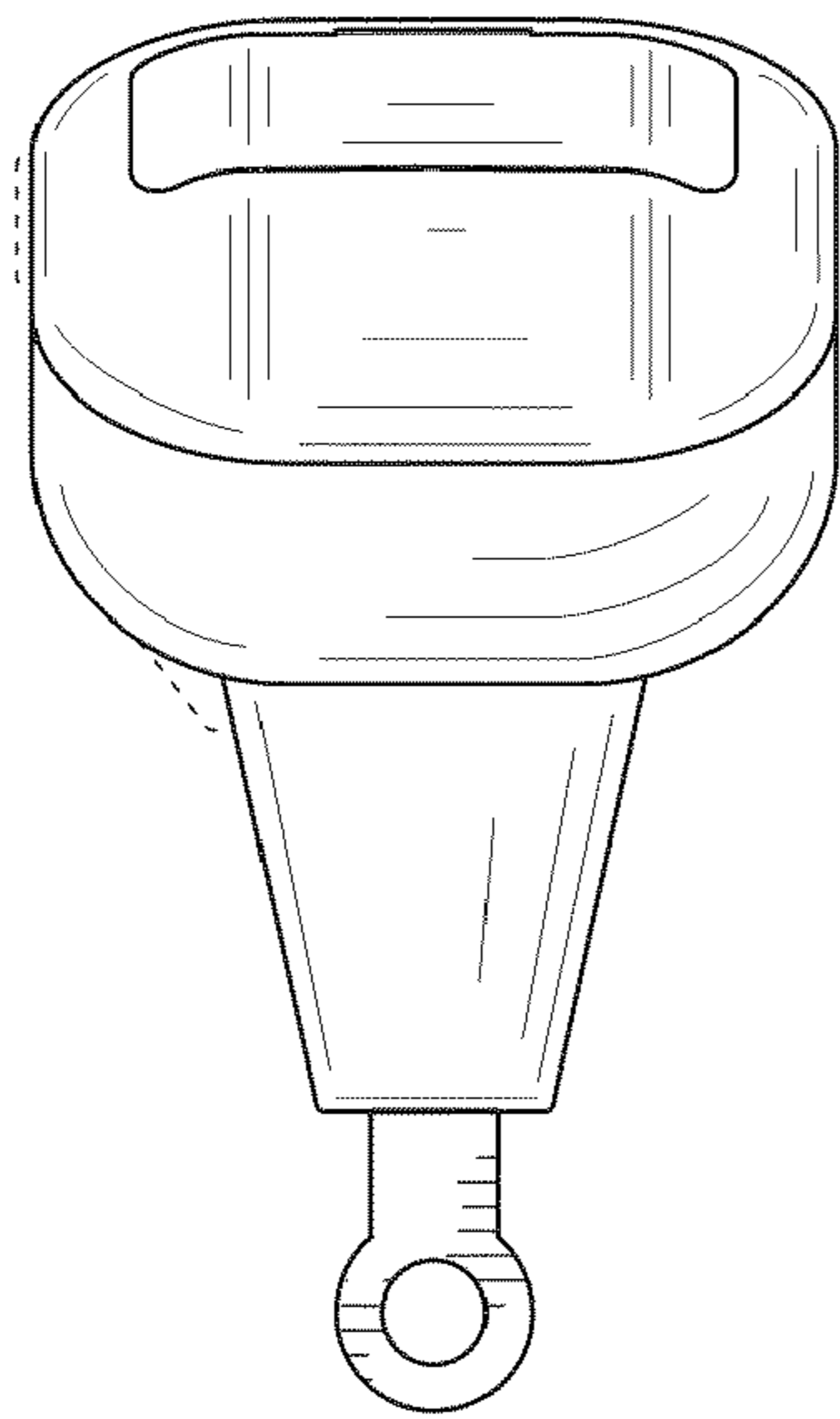


FIG. 7

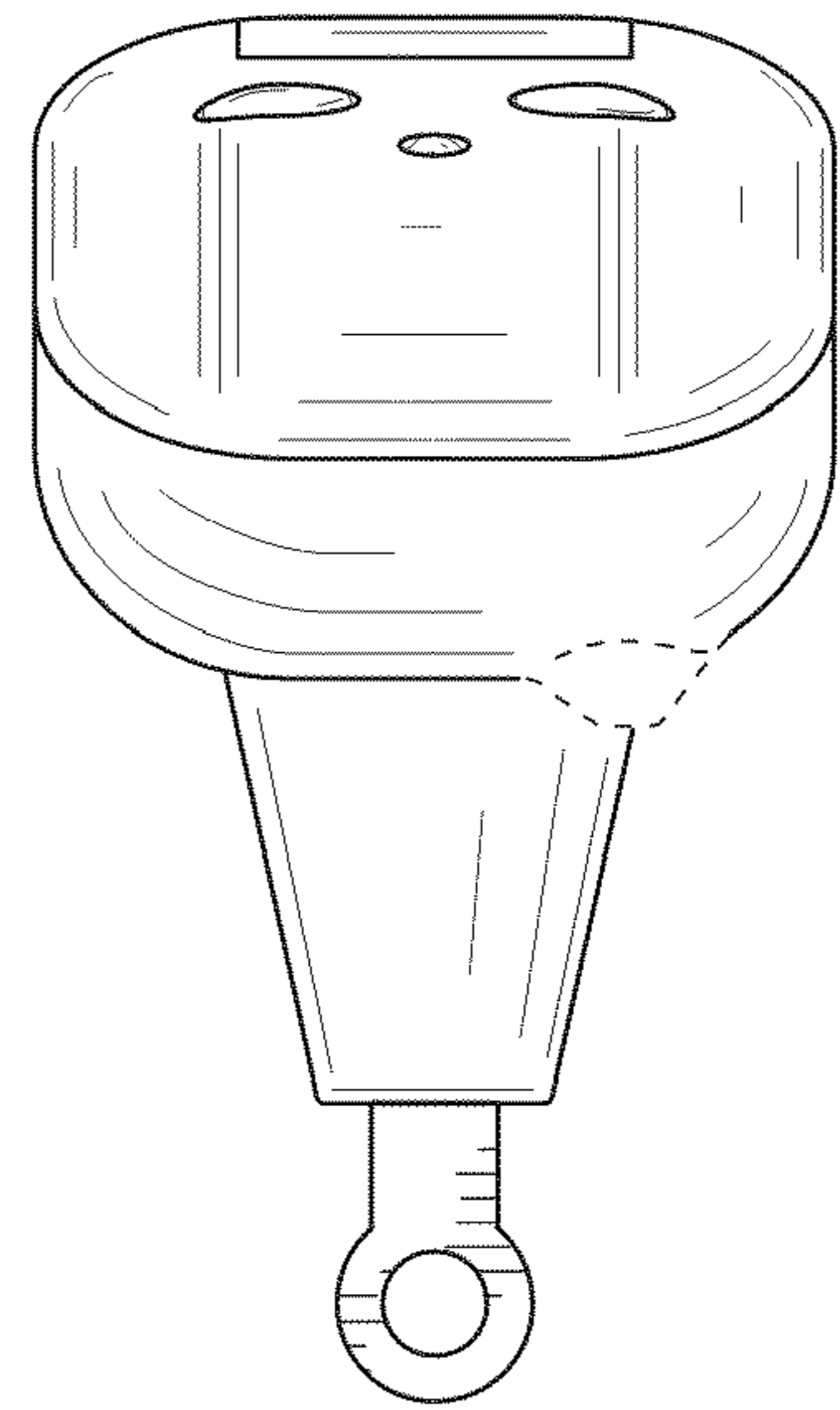


FIG. 8