



US00D653134S

(12) **United States Design Patent**
Ohtani et al.

(10) **Patent No.:** **US D653,134 S**
(45) **Date of Patent:** **** Jan. 31, 2012**

(54) **HEAT-INSULATING COVER FOR
MICROMETER**

(75) Inventors: **Shigeru Ohtani**, Kawasaki (JP); **Yoshiro Asano**, Tokyo (JP); **Shuji Hayashida**, Kawasaki (JP); **Osamu Saito**, Kawasaki (JP); **Shozaburo Tsuji**, Kawasaki (JP)

(73) Assignee: **Mitutoyo Corporation**, Kawasaki-shi (JP)

(**) Term: **14 Years**

(21) Appl. No.: **29/376,372**

(22) Filed: **Oct. 6, 2010**

(30) **Foreign Application Priority Data**

May 26, 2010 (JP) 2010-012938

May 26, 2010 (JP) 2010-012939

(51) **LOC (9) Cl.** **10-04**

(52) **U.S. Cl.** **D10/73**

(58) **Field of Classification Search** D10/73;
33/783-832, DIG. 12

See application file for complete search history.

(56) **References Cited**

U.S. PATENT DOCUMENTS

D429,172 S * 8/2000 Reymond D10/73
D611,371 S * 3/2010 Ohtani et al. D10/73

* cited by examiner

Primary Examiner — Antoine D Davis

(74) *Attorney, Agent, or Firm* — Oliff & Berridge, PLC

(57) **CLAIM**

We claim the ornamental design for a heat-insulating cover for micrometer, as shown and described.

DESCRIPTION

FIG. 1 is a front perspective view of a heat-insulating cover for micrometer, showing our new design.

FIG. 2 is a rear perspective view thereof.

FIG. 3 is a front view thereof.

FIG. 4 is a rear view thereof.

FIG. 5 is a left-side view thereof.

FIG. 6 is a right-side view thereof.

FIG. 7 is a top view thereof.

FIG. 8 is a bottom view thereof.

FIG. 9 is a cross-sectional view thereof, taken along line 9-9 of FIG. 7.

FIG. 10 is a cross-sectional view thereof, taken along line 10-10 of FIG. 7.

FIG. 11 is an in-use front perspective view thereof; and,

FIG. 12 is an in-use rear perspective view thereof.

The broken lines depict environmental subject matter only and form no part of the claimed design.

1 Claim, 12 Drawing Sheets

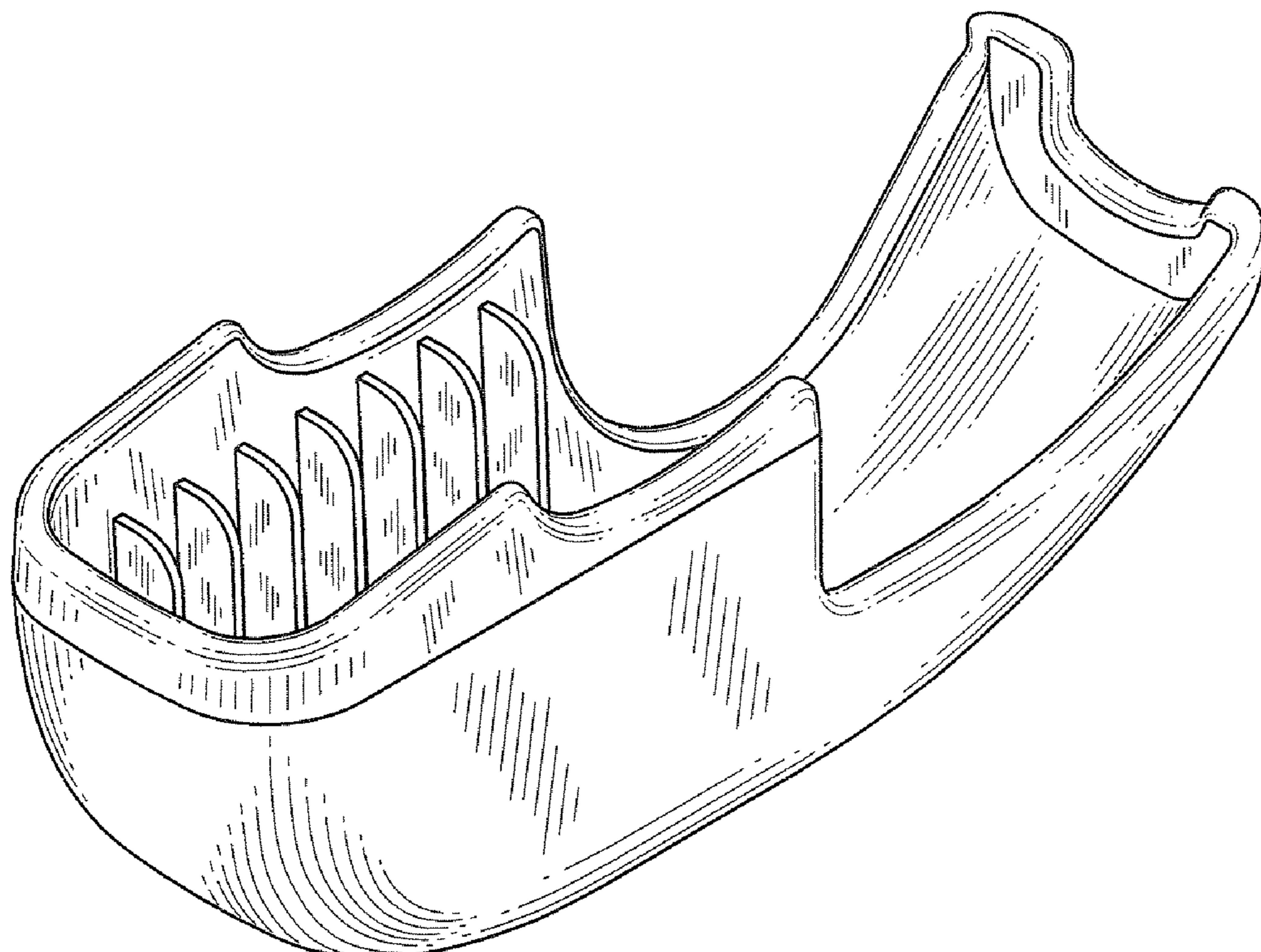


FIG. 1

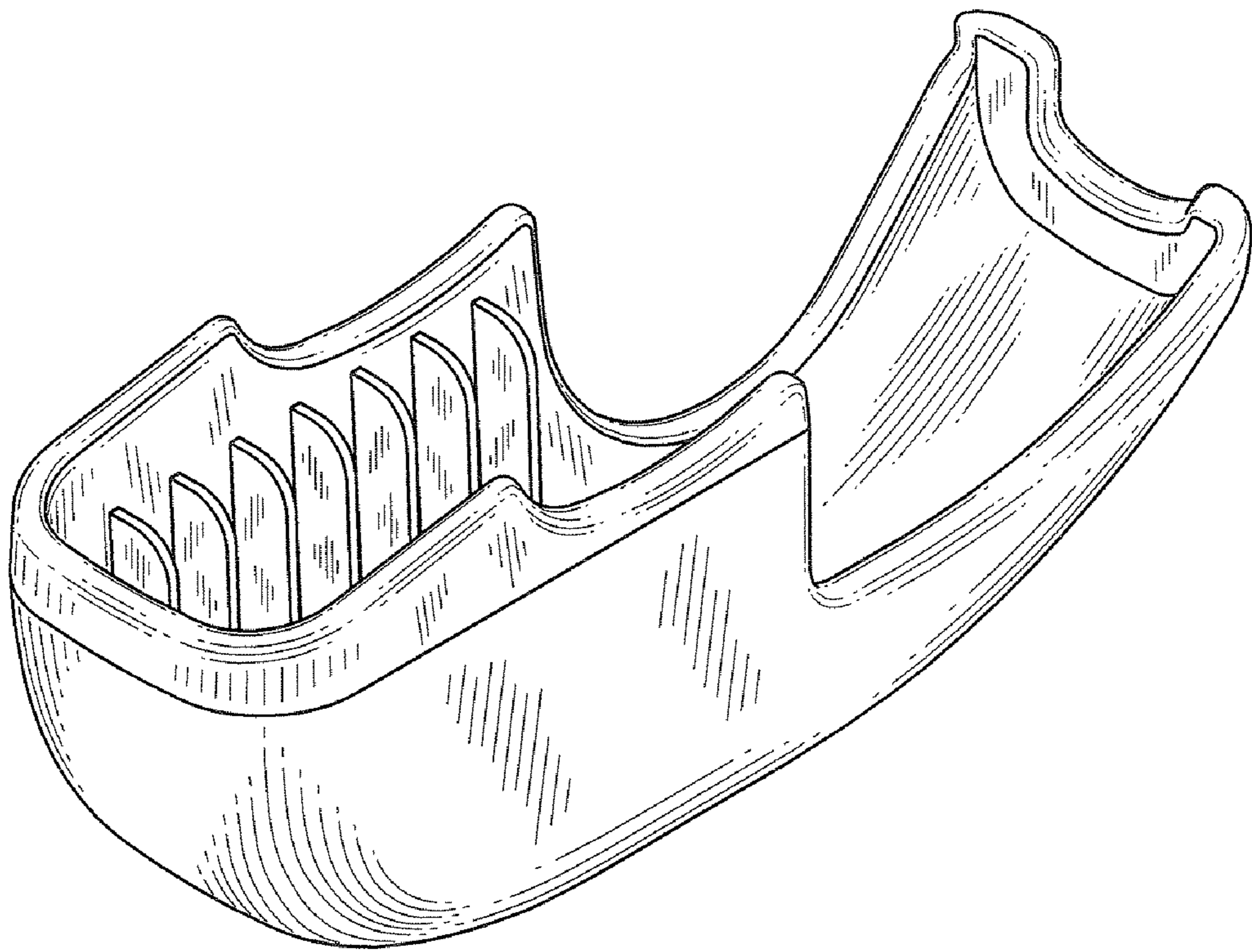


FIG. 2

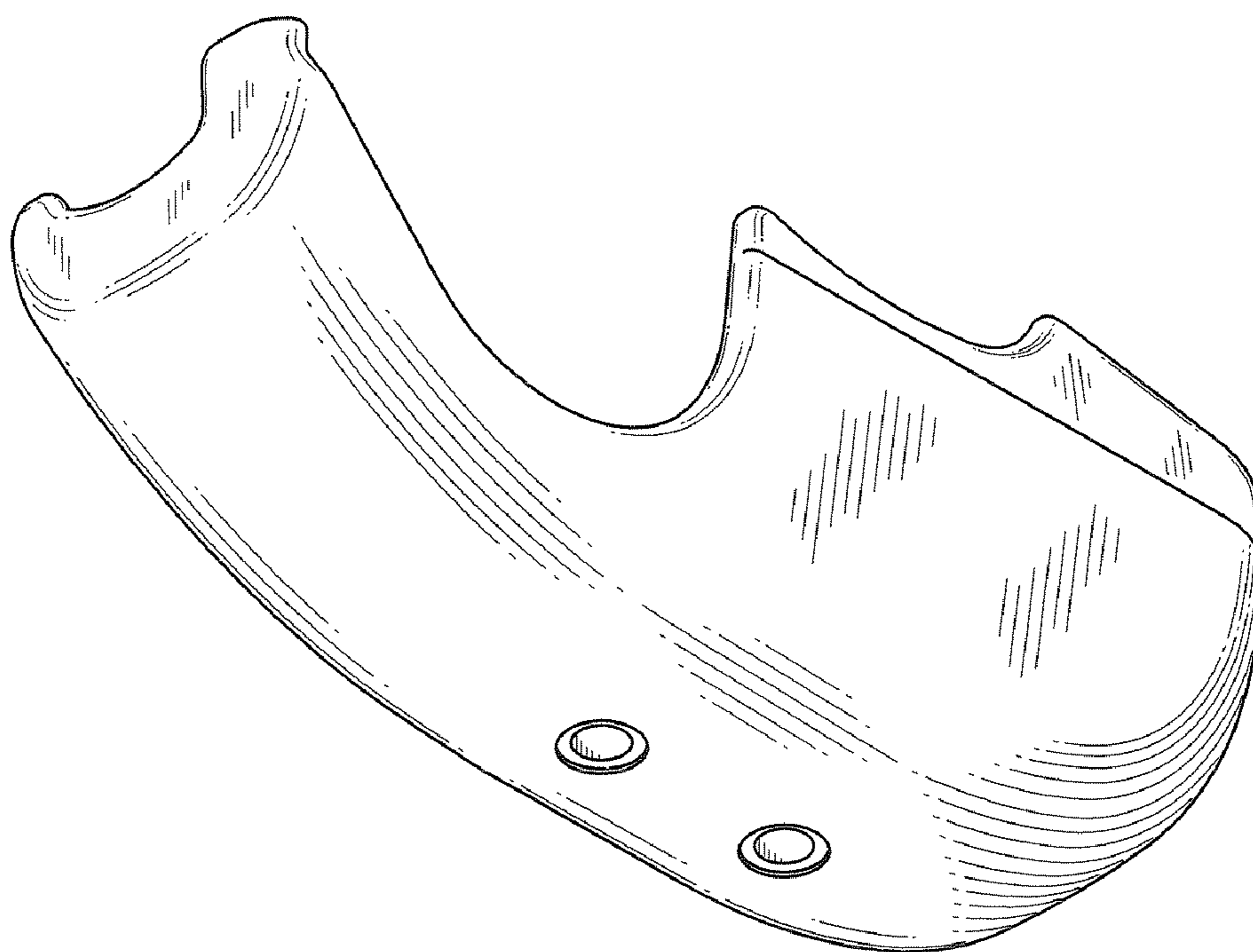


FIG. 3

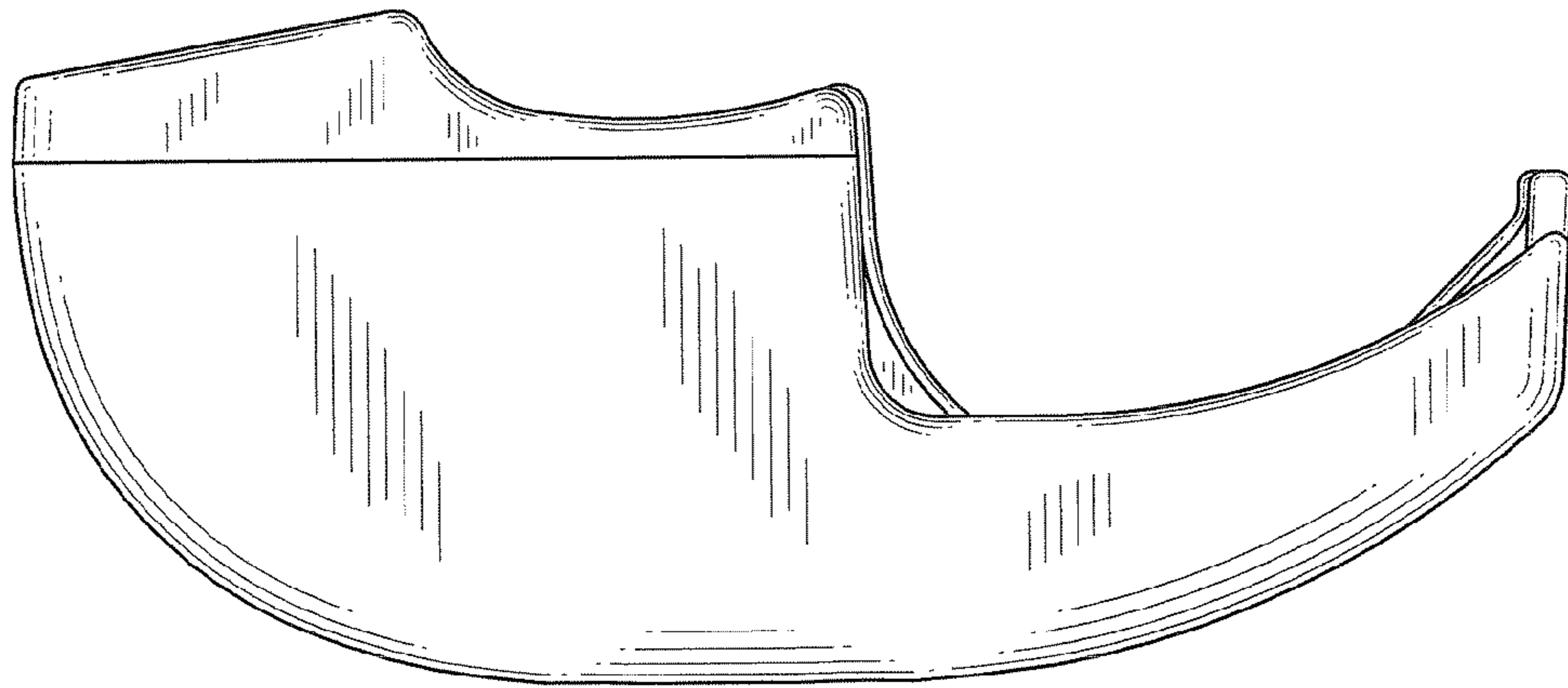


FIG. 4

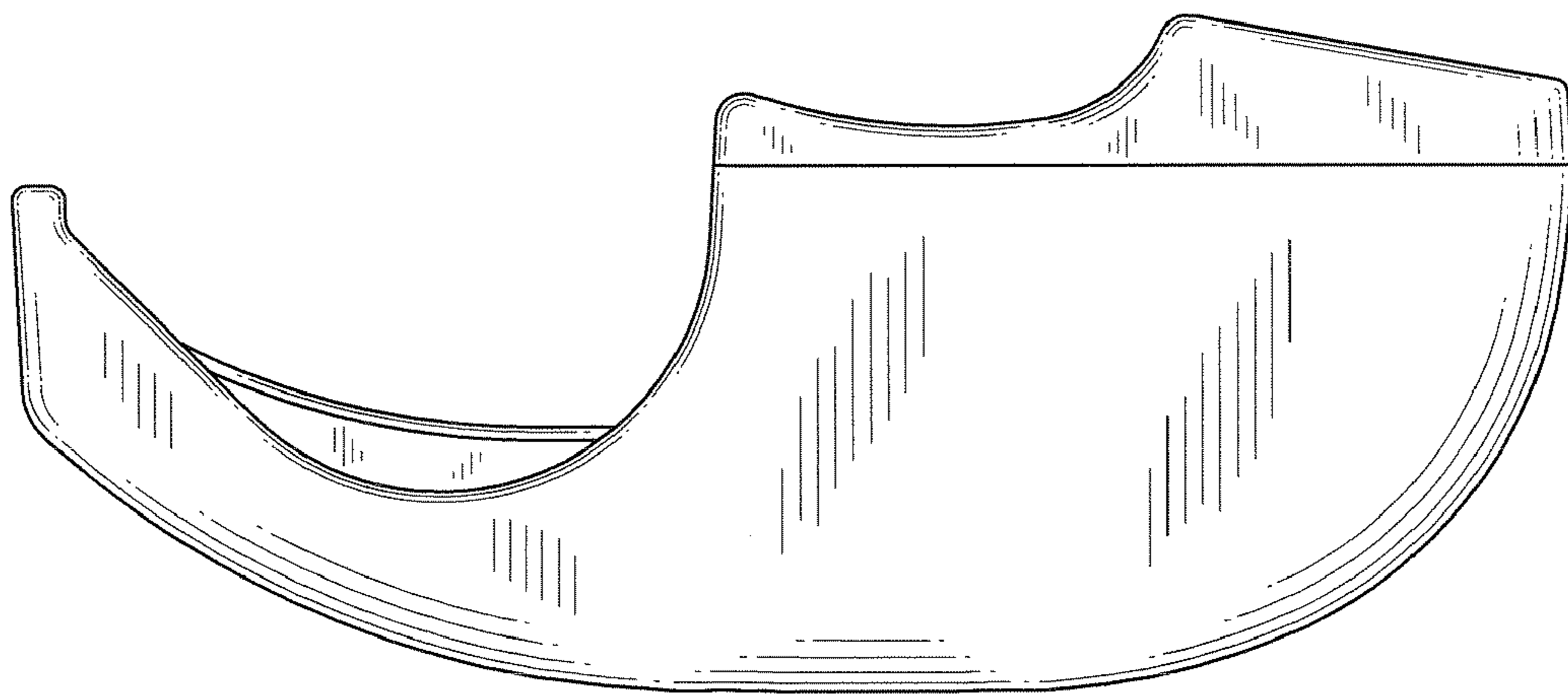


FIG. 5

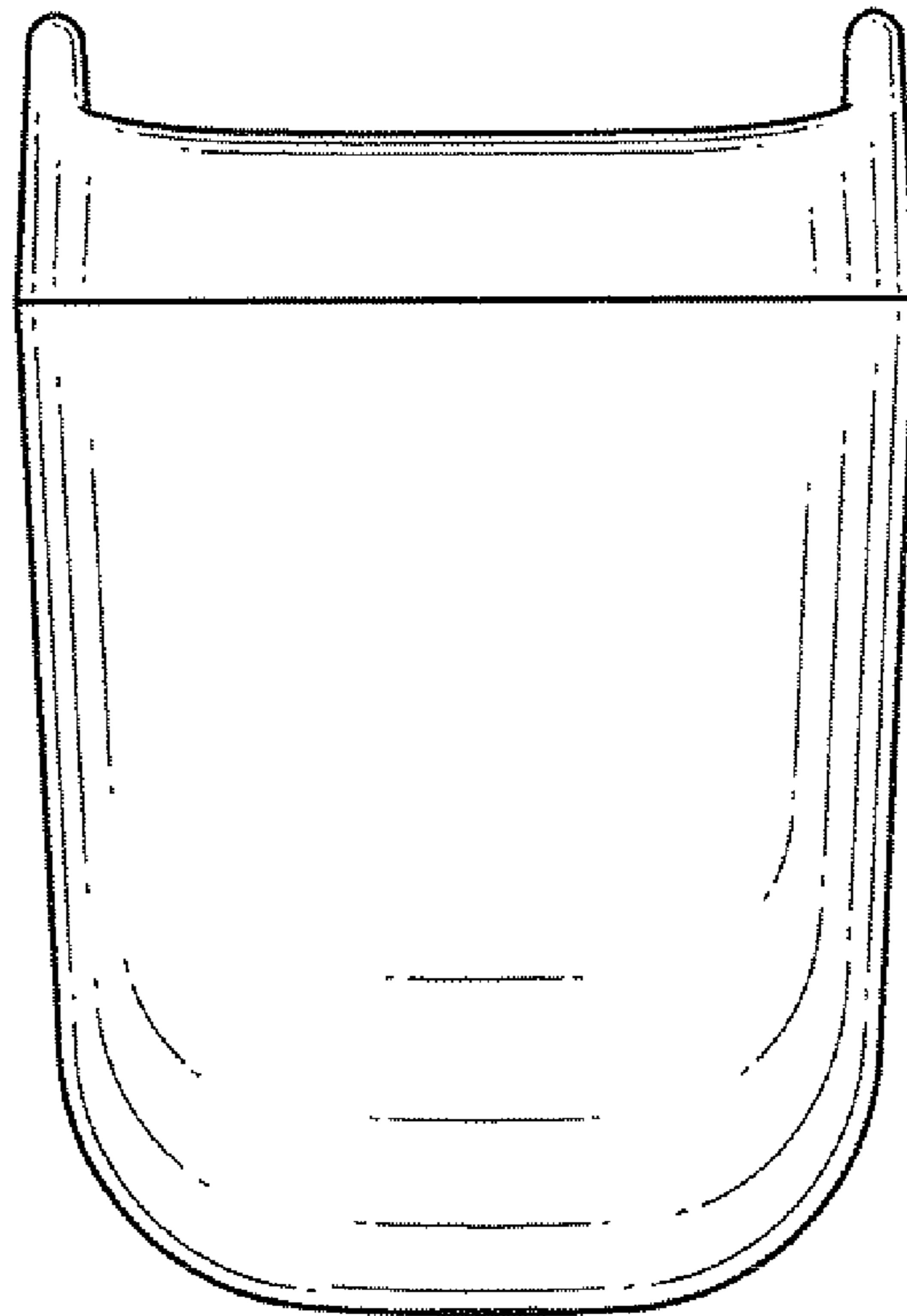


FIG. 6

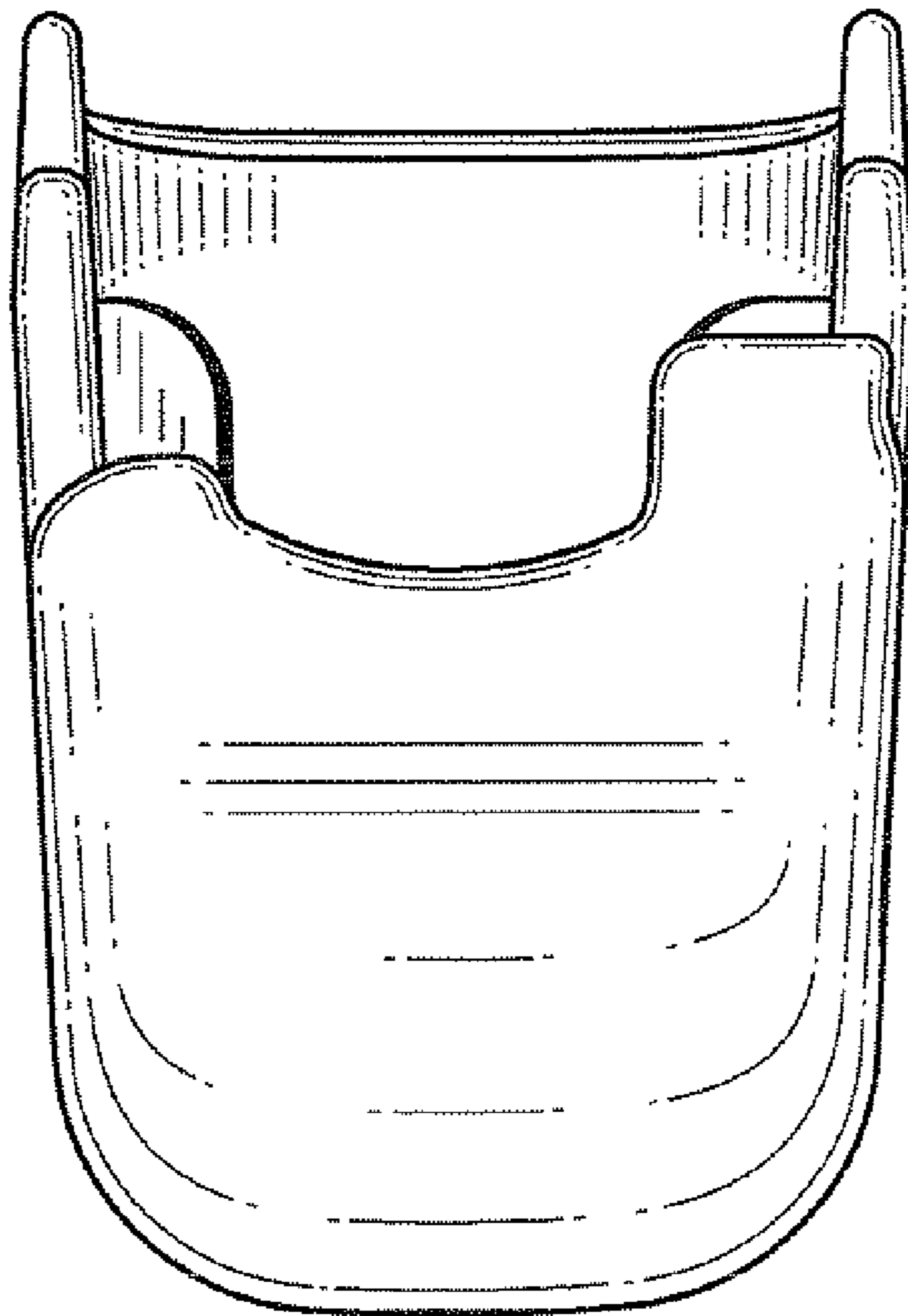


FIG. 7

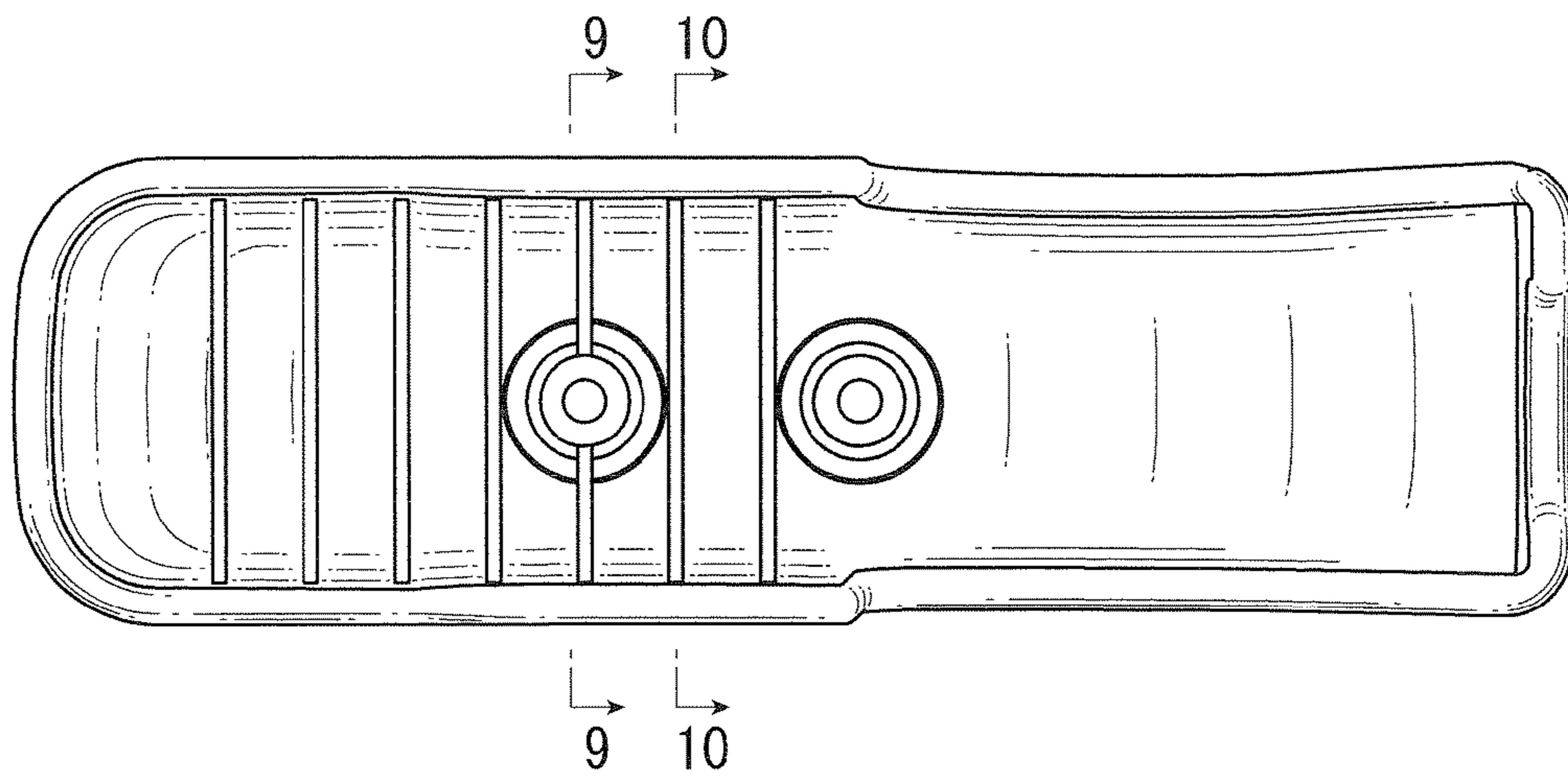


FIG. 8

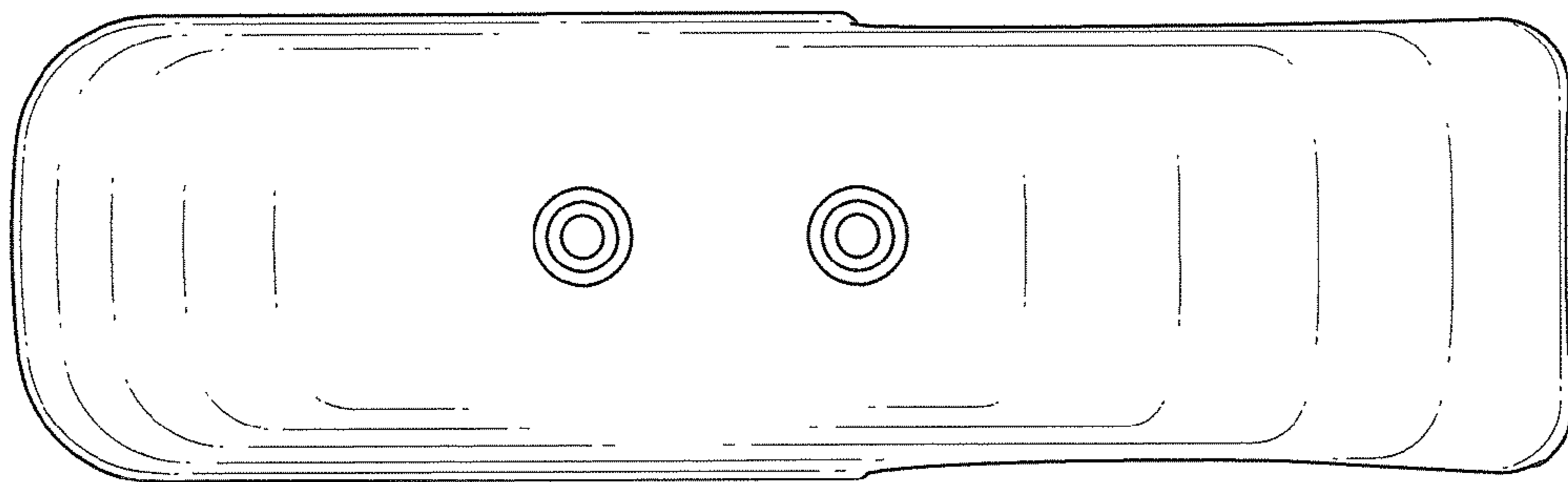


FIG. 9

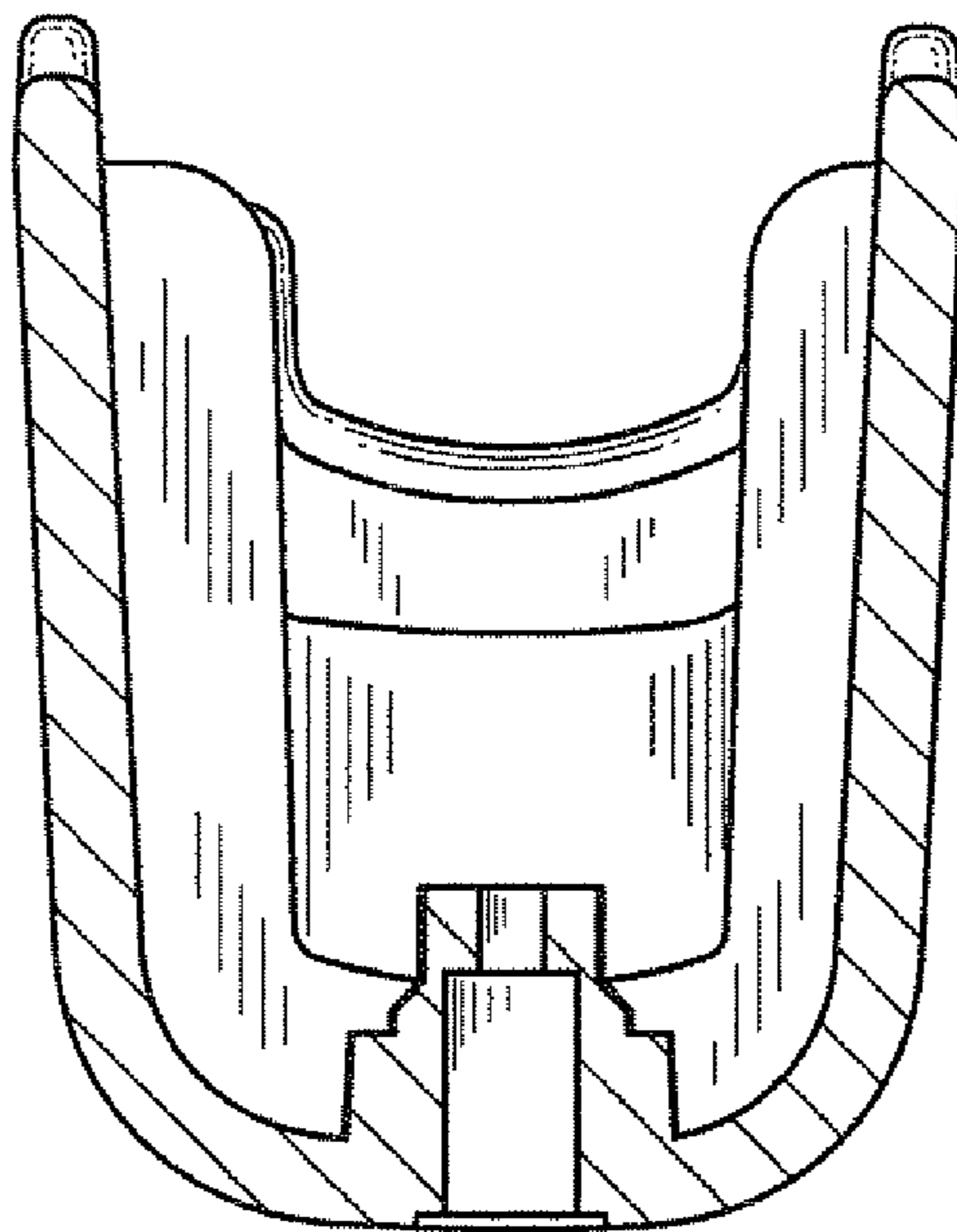


FIG. 10

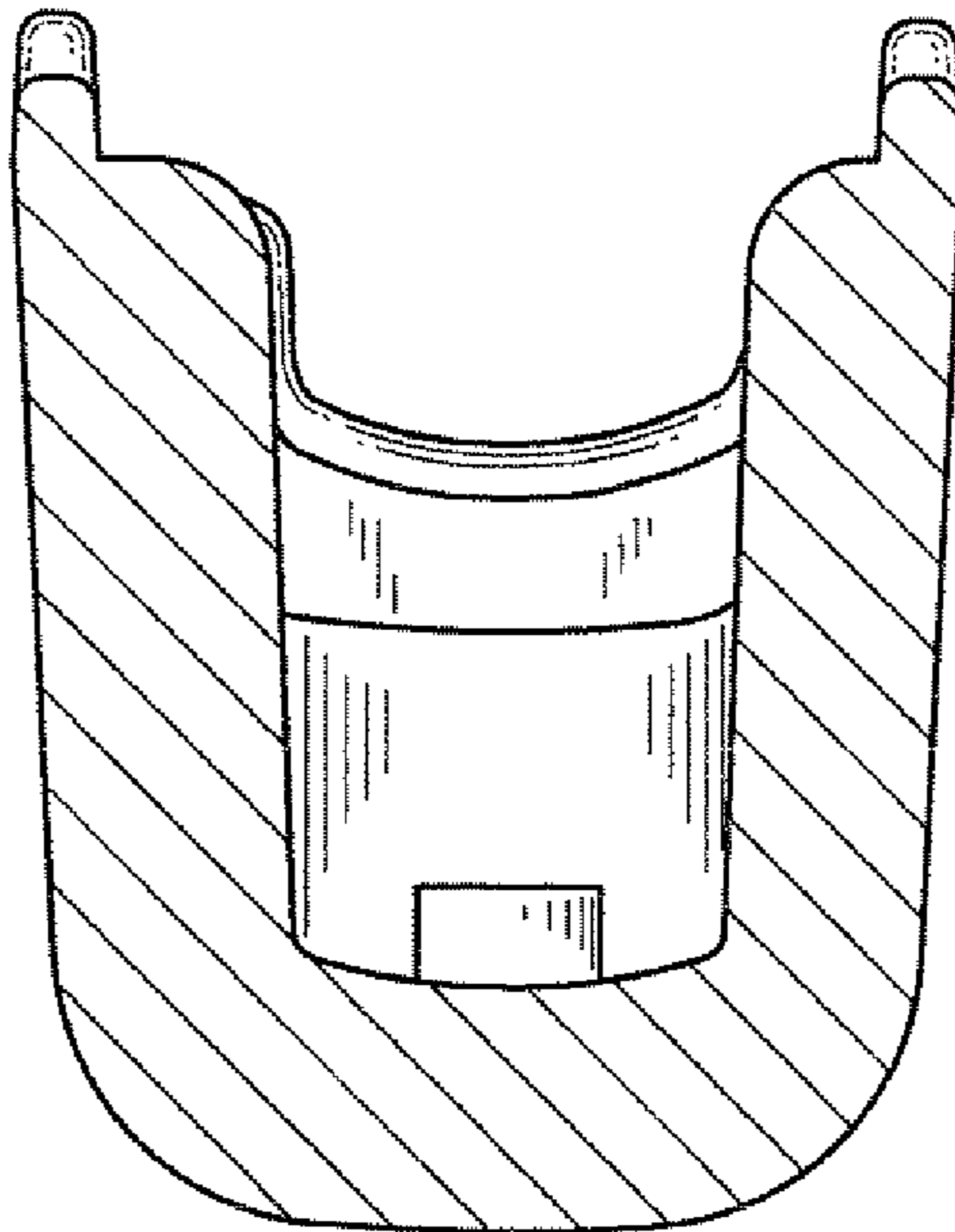


FIG. 11

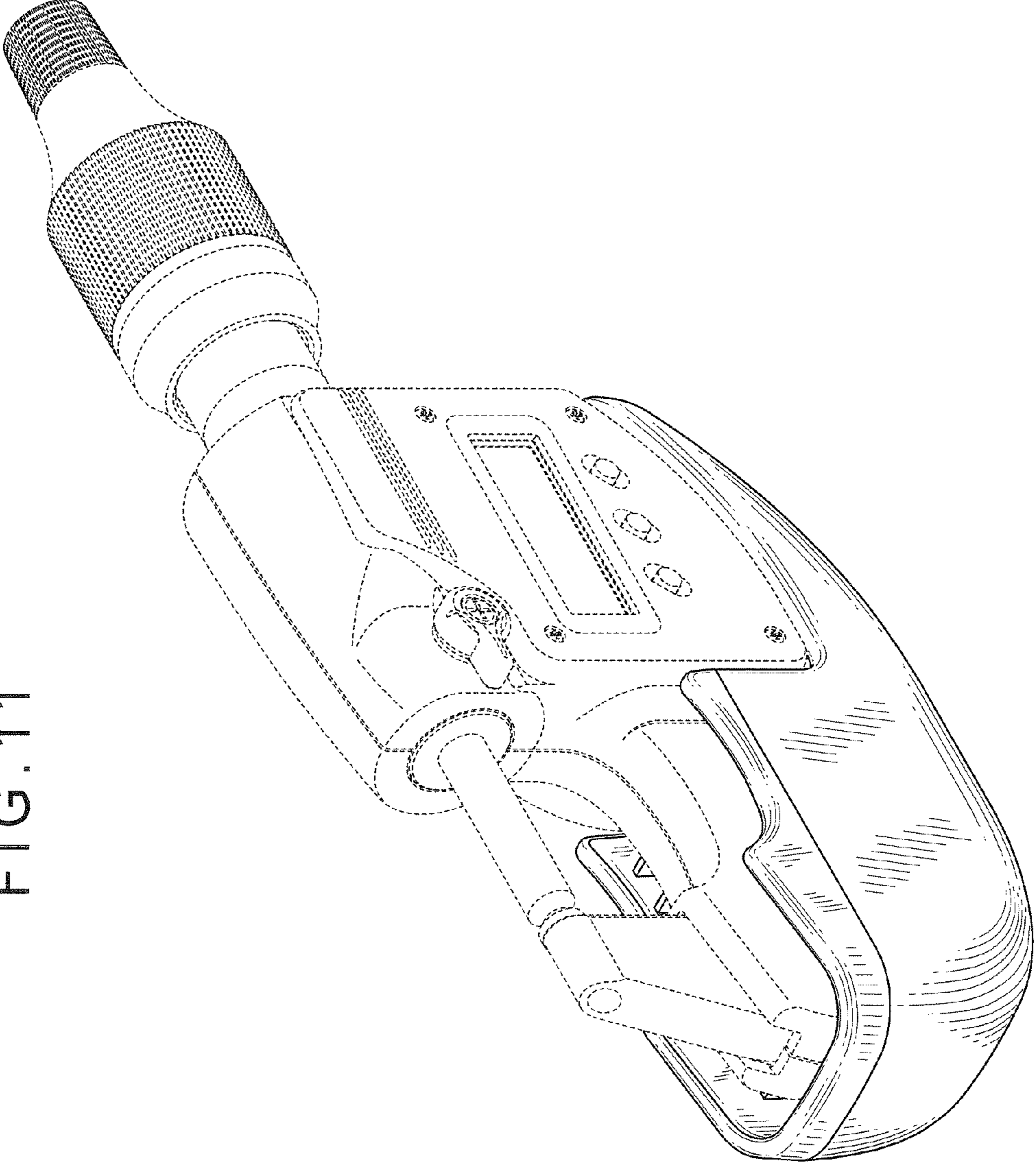


FIG. 12

