



US00D653130S

(12) **United States Design Patent**
Borovicka et al.

(10) **Patent No.:** **US D653,130 S**
(45) **Date of Patent:** **** Jan. 31, 2012**

(54) **MULTI-PROBE COOKING THERMOMETER
DISPLAY UNIT**

2003/0202558 A1 10/2003 Chung et al.
2007/0221655 A1 9/2007 Bridgwater et al.
2008/0043809 A1 2/2008 Hebert

(75) Inventors: **Cory Thomas Borovicka**, Oakland, CA
(US); **Charles Adams**, Berkeley, CA
(US)

(73) Assignee: **Charcoal Companion Incorporated**,
Emeryville, CA (US)

(**) Term: **14 Years**

(21) Appl. No.: **29/357,202**

(22) Filed: **Mar. 9, 2010**

(51) **LOC (9) Cl.** **10-04**

(52) **U.S. Cl.** **D10/57**

(58) **Field of Classification Search** D10/57;
374/141, 155, 158, 163, 208, 209, 179, 150,
374/183; 340/870.01, 870.04, 870.09, 870.17,
340/501, 588, 589, 584-585; 99/342-344
See application file for complete search history.

(56) **References Cited**

U.S. PATENT DOCUMENTS

5,712,466	A	1/1998	Spicer	
5,900,801	A	5/1999	Heagle et al.	
6,065,391	A	5/2000	Archard et al.	
D472,480	S *	4/2003	Chung et al.	D10/57
6,568,848	B1	5/2003	Chapman et al.	
D518,744	S *	4/2006	Rosen	D10/57
7,102,107	B1	9/2006	Chapman	
7,128,466	B2	10/2006	Chang et al.	
D550,103	S *	9/2007	Laituri et al.	D10/57
D579,800	S *	11/2008	Mobley	D10/57
D582,804	S *	12/2008	Flandin et al.	D10/57
7,722,248	B1 *	5/2010	Chapman et al.	374/155

OTHER PUBLICATIONS

Charcoal Companion, Inc., Charcoal Companion Barbeque Tools and Kitchen Accessories Catalog, 1993, p. 17, Oakland, CA.
The Companion Group, Charcoal Companion 2002 Catalog, 2001, p. 21, Hong Kong.
Charcoal Companion, Inc., Charcoal Companion Barbeque Tools and Kitchen Accessories Catalog, 1992, p. 17, Oakland, CA.

* cited by examiner

Primary Examiner — Antoine D Davis

(74) *Attorney, Agent, or Firm* — Beeson Skinner Beverly, LLP

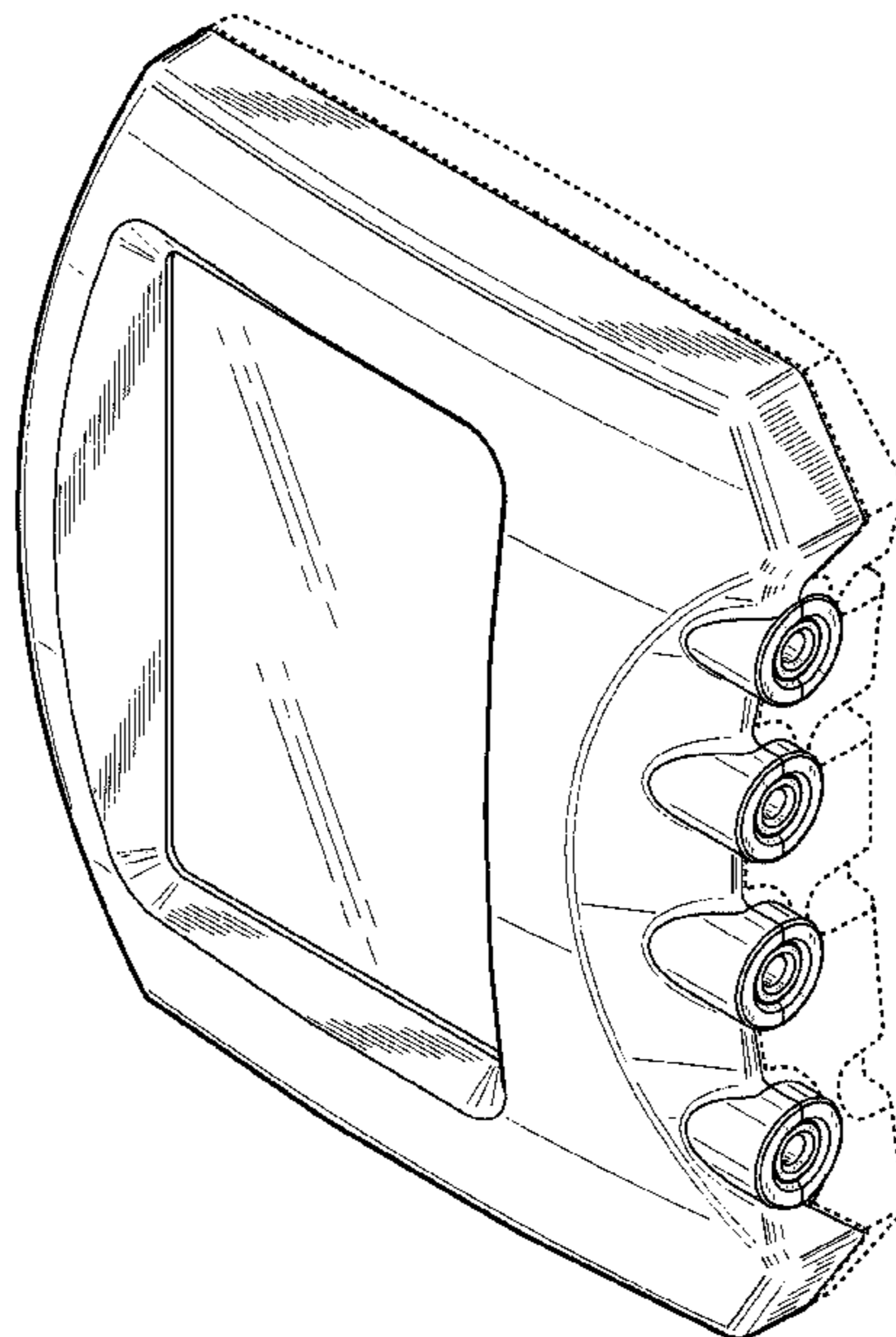
(57) **CLAIM**

The ornamental design for a multi-probe cooking thermometer display unit, as shown and described.

DESCRIPTION

FIG. 1 is a top perspective view of a multi-probe cooking thermometer display unit showing our new design; FIG. 2 is a front elevational view thereof; FIG. 3 is a right side elevational view thereof; FIG. 4 is a rear elevational view thereof; FIG. 5 is a left side elevational view thereof; FIG. 6 is a top plan view thereof, the bottom view being a mirror image; and, FIG. 7 is another top perspective view thereof showing temperature probes plugged into the multi-probe cooking thermometer display unit. The broken line representations of the rear cover portion of the multi-probe cooking thermometer display unit shown in FIGS. 1 and 3-7 and the temperature probes shown in FIG. 7 are for illustrative purposes only and forms no part of our claimed design.

1 Claim, 4 Drawing Sheets



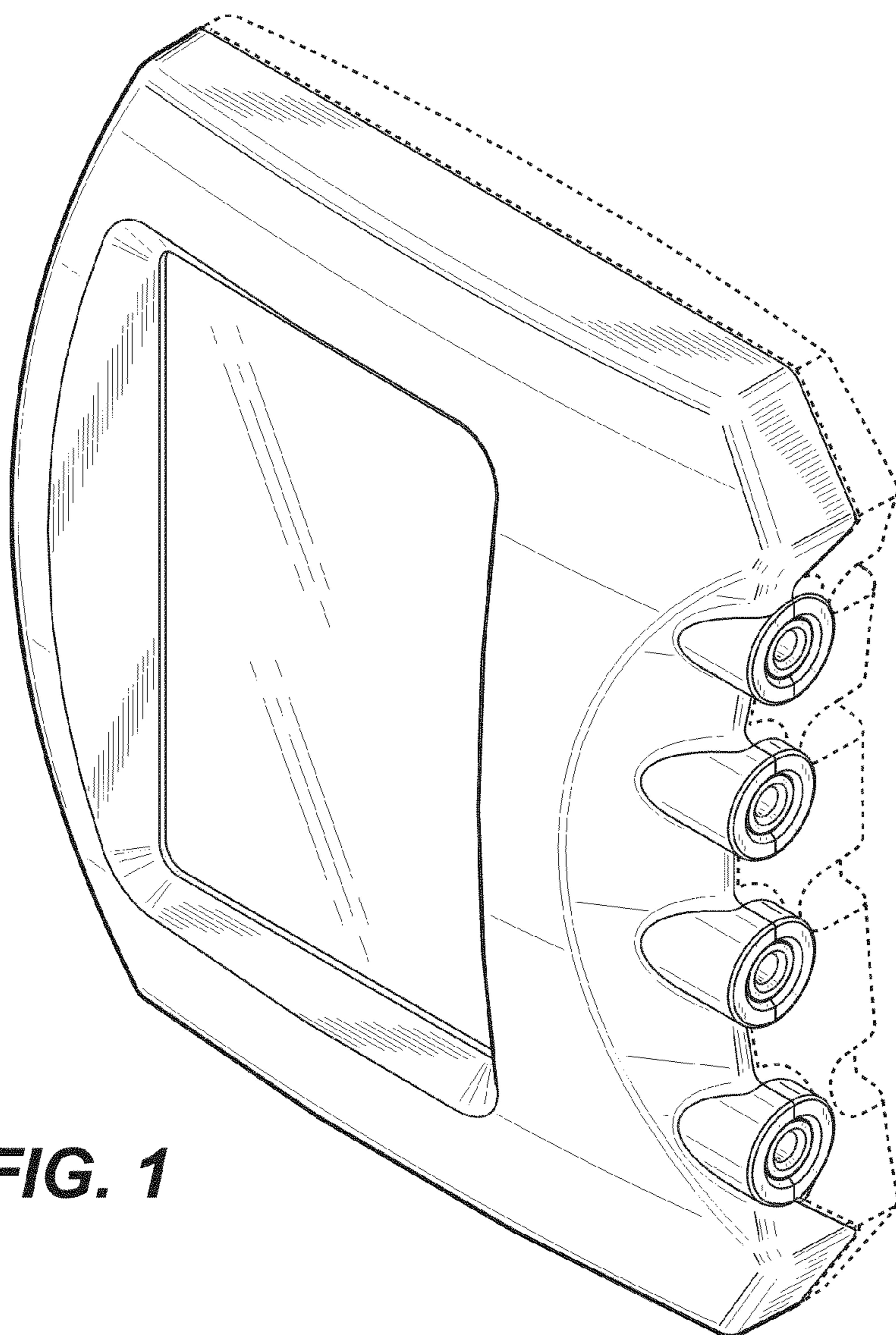


FIG. 1

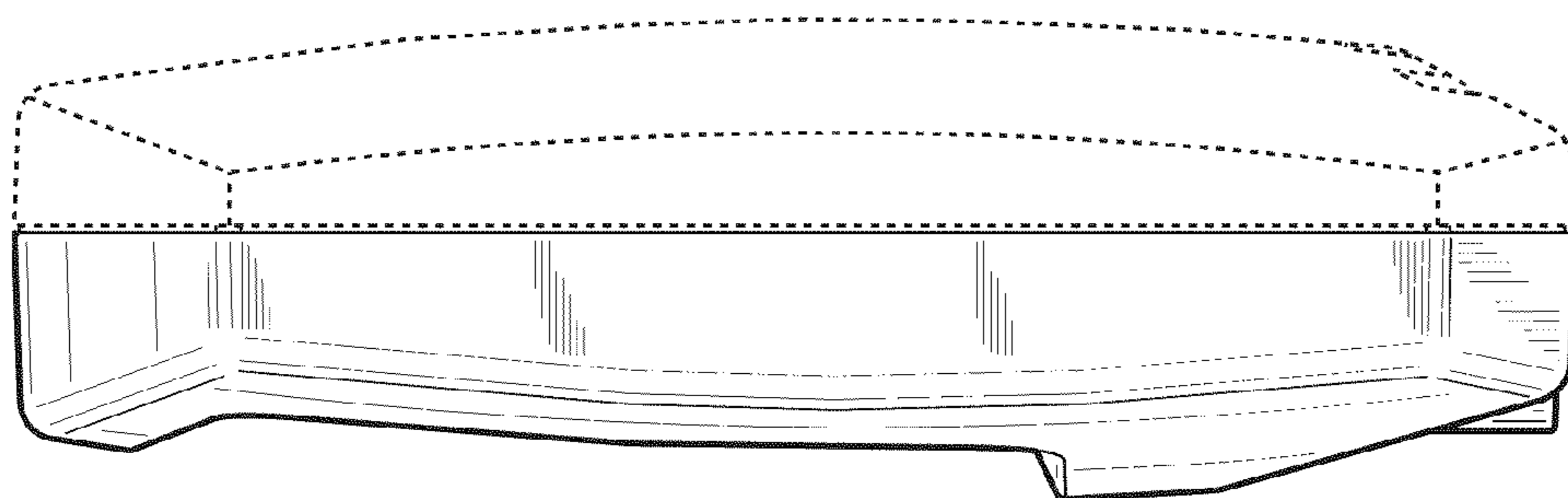


FIG. 6

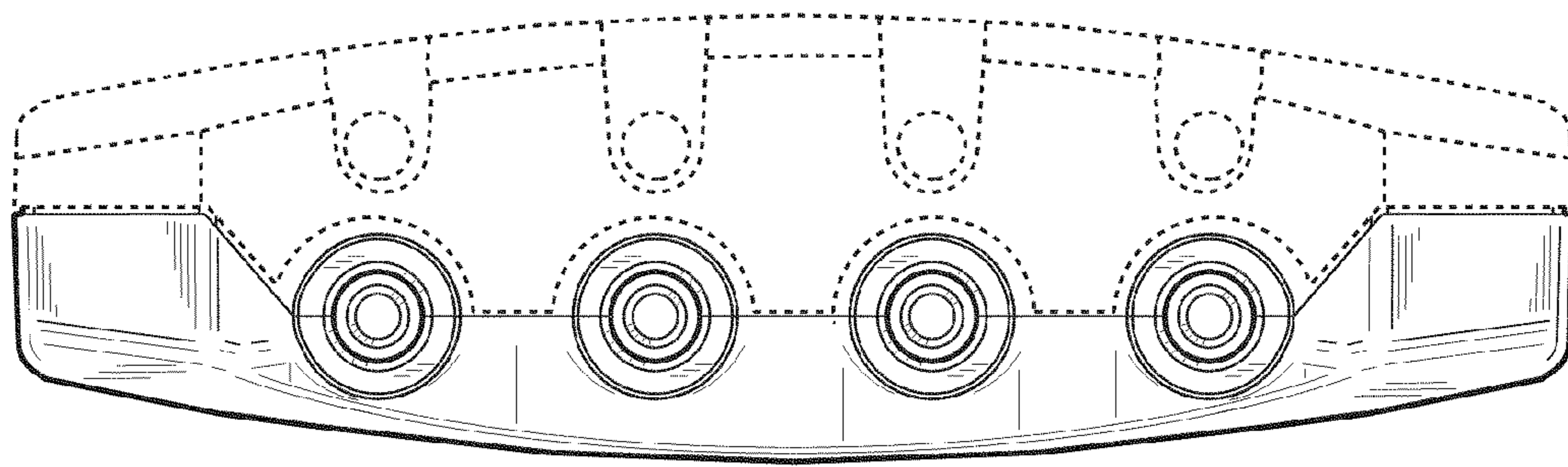


FIG. 3

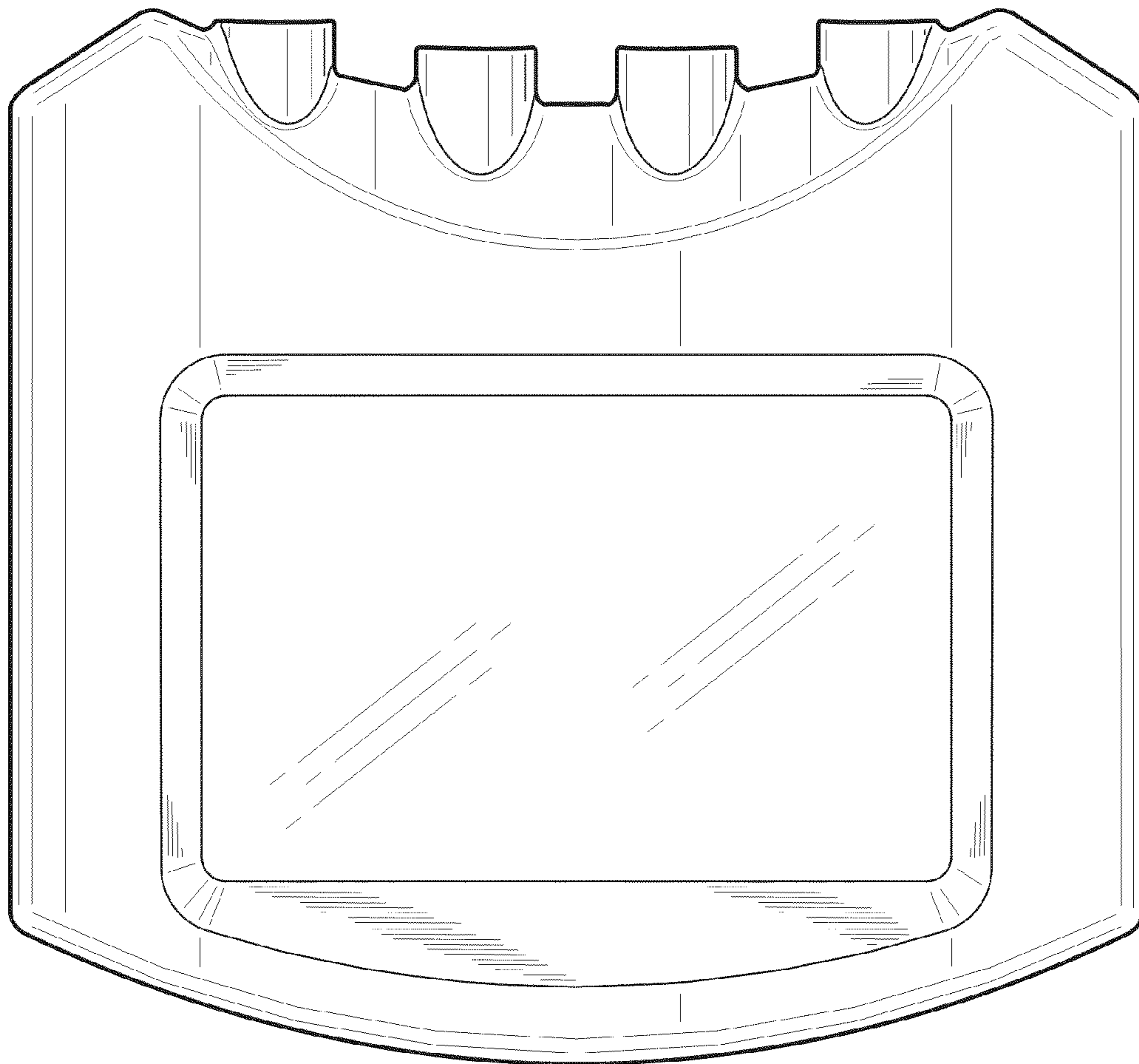


FIG. 2

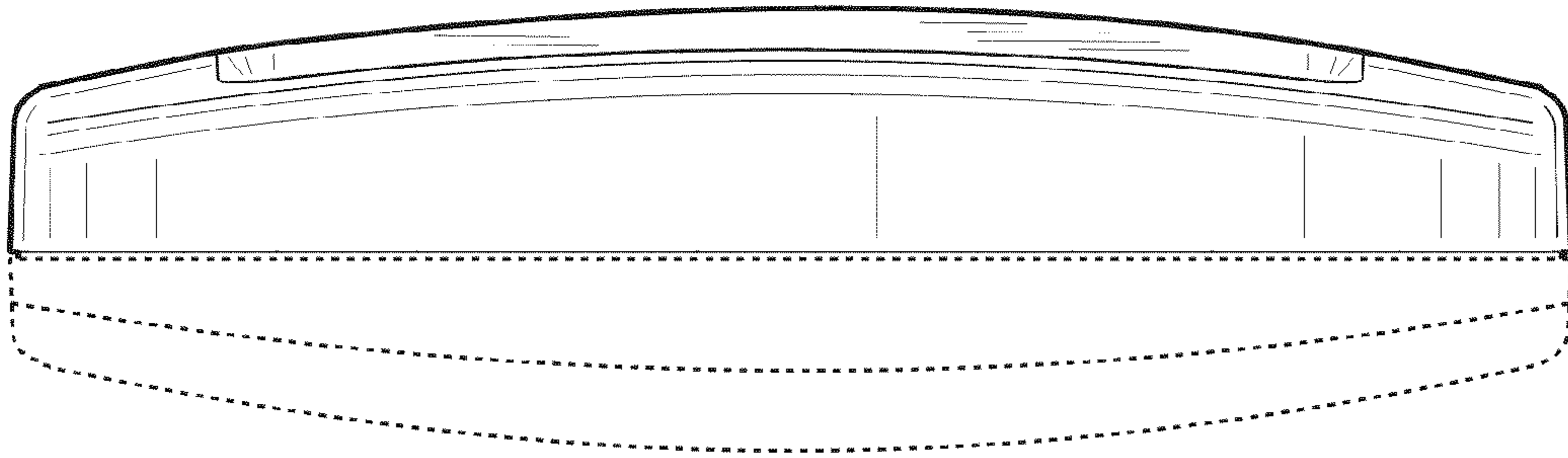


FIG. 5

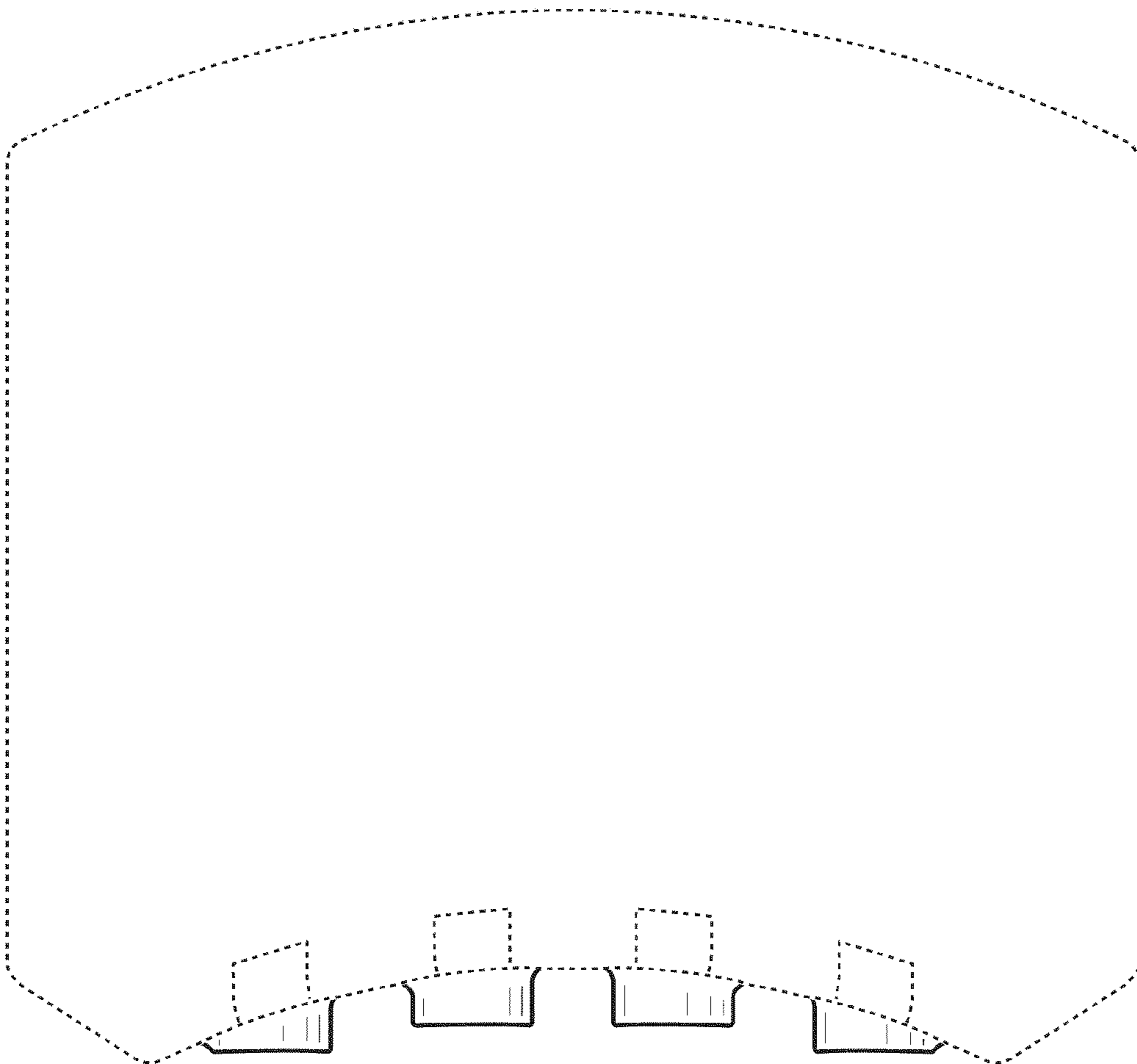


FIG. 4

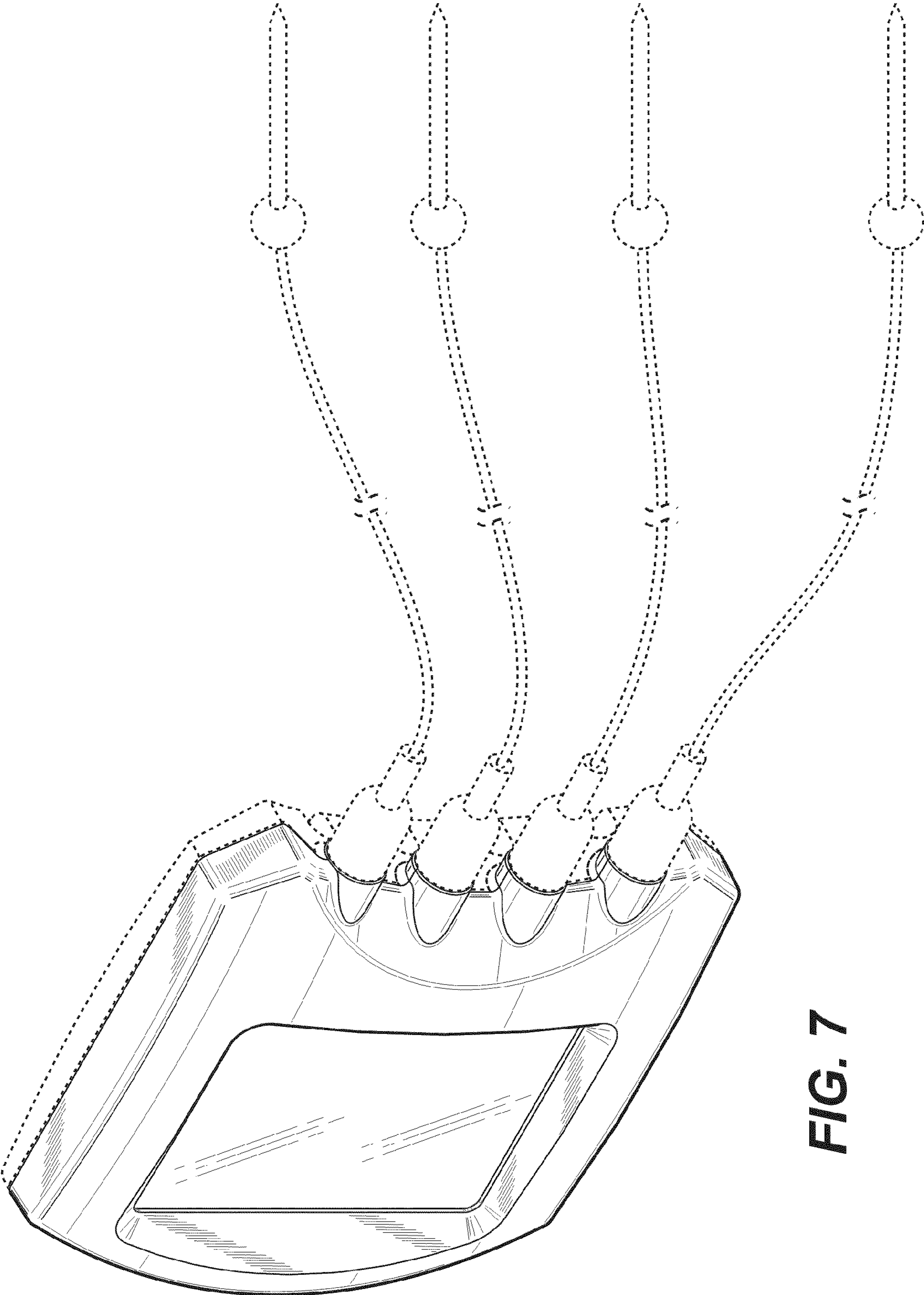


FIG. 7