



US00D653120S

(12) **United States Design Patent**
Dombrowski et al.

(10) **Patent No.:** **US D653,120 S**
(45) **Date of Patent:** **** Jan. 31, 2012**

(54) **PACKAGE FOR HAIR COLORANT COMPOSITION**

(75) Inventors: **David Dombrowski**, Liberty Township, OH (US); **Erika Linsley Wetzel**, Cincinnati, OH (US)

(73) Assignee: **The Procter & Gamble Company**, Cincinnati, OH (US)

(**) Term: **14 Years**

(21) Appl. No.: **29/368,941**

(22) Filed: **Aug. 31, 2010**

(51) **LOC (9) Cl.** **09-01**

(52) **U.S. Cl.** **D9/564**

(58) **Field of Classification Search** D9/516, D9/549, 551, 558-560, 564, 572-574; 215/381-385; 220/660, 669, 679, 752

See application file for complete search history.

(56) **References Cited**

U.S. PATENT DOCUMENTS

D180,828 S *	8/1957	Funkey	D9/571
D362,187 S *	9/1995	Thompson	D9/500
D387,281 S *	12/1997	Thompson	D9/544
D428,344 S *	7/2000	Preston	D9/558
D450,593 S *	11/2001	Jebb et al.	D9/529
D456,717 S *	5/2002	Roher	D9/549
D467,815 S *	12/2002	Cummings	D9/558
D468,641 S *	1/2003	Fenton et al.	D9/521
D479,470 S *	9/2003	Braaten et al.	D9/574
D525,145 S	7/2006	Davis et al.		
D527,652 S	9/2006	Davis et al.		
D531,753 S	11/2006	Davis et al.		
D546,668 S	7/2007	Sheppard et al.		

D547,004 S	7/2007	Davis et al.		
D558,570 S	1/2008	Sheppard et al.		
D559,099 S	1/2008	Sheppard et al.		
D565,959 S *	4/2008	Hadtke	D9/541

* cited by examiner

Primary Examiner — Stella Reid

Assistant Examiner — Keli L Hill

(74) *Attorney, Agent, or Firm* — Carl J. Roof

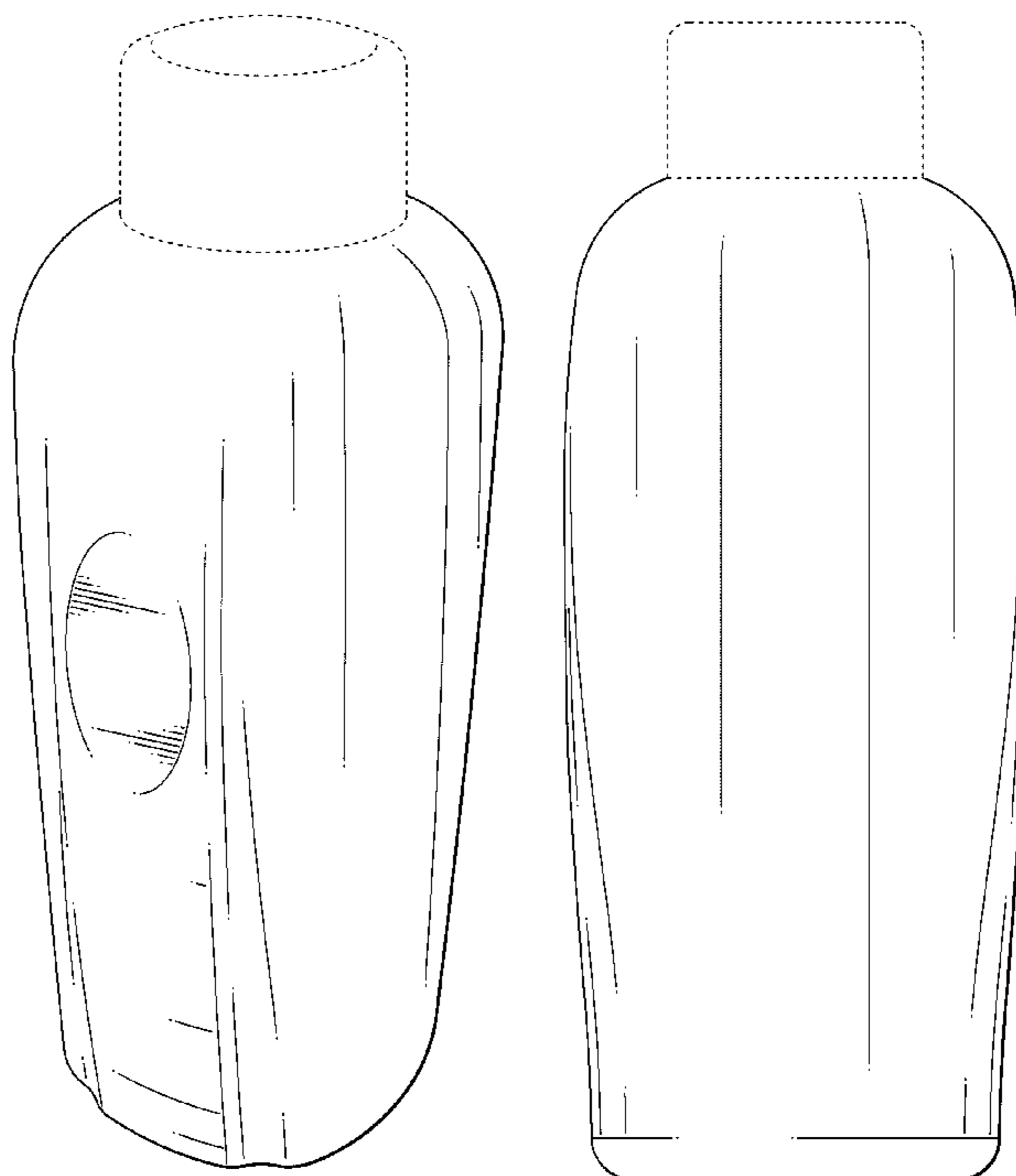
(57) **CLAIM**

The ornamental design for a package for hair colorant composition, as shown and described.

DESCRIPTION

FIG. 1 is a perspective view of a package for hair colorant composition, embodying our new design; FIG. 2 is a front view of the package for hair colorant composition of FIG. 1; FIG. 3 is a back view of the package for hair colorant composition of FIG. 1; FIG. 4 is a first side view of the package for hair colorant composition of FIG. 1; FIG. 5 is a second side view of the package for hair colorant composition of FIG. 1; FIG. 6 is a top view of the package for hair colorant composition of FIG. 1; and, FIG. 7 is a bottom view of a package for hair colorant composition of FIG. 1. The broken lines shown are included for the purpose of illustrating the unclaimed portions of the article and form no part of the claim.

1 Claim, 6 Drawing Sheets



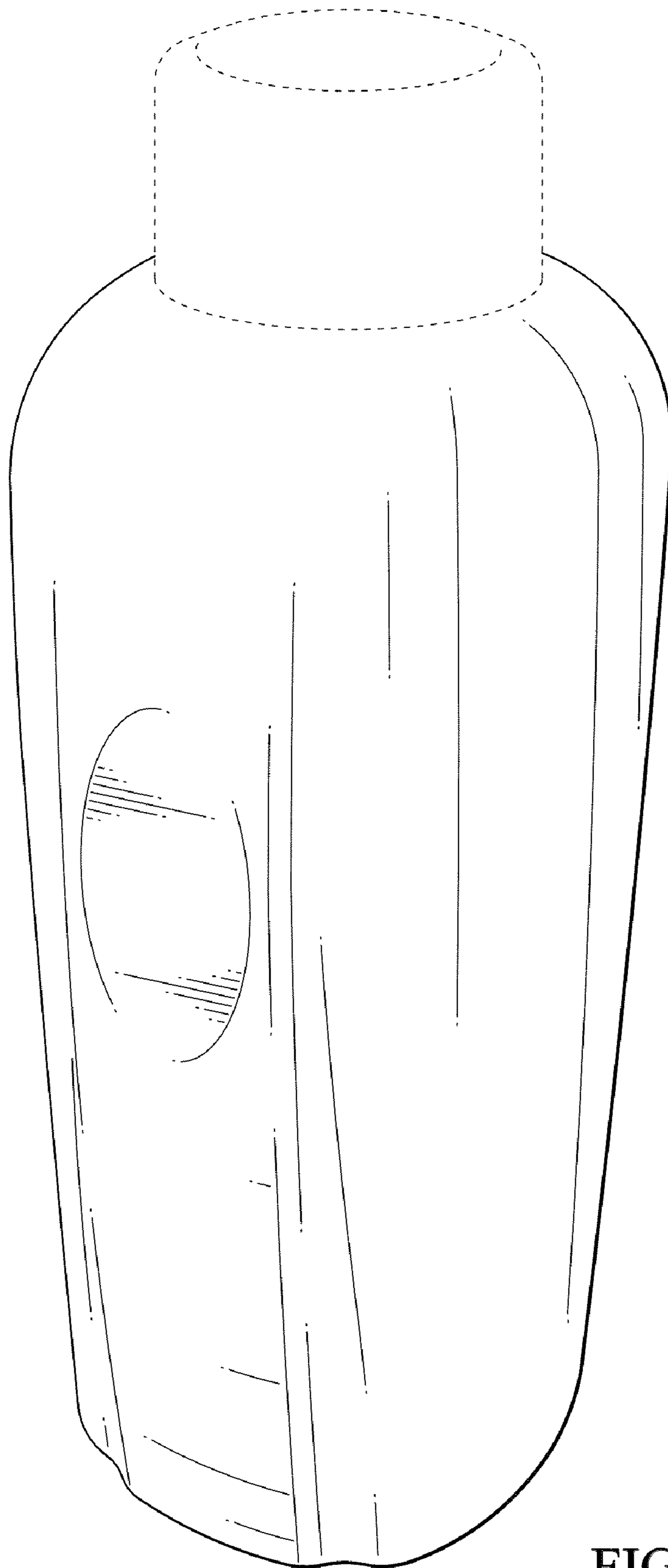


FIG. 1

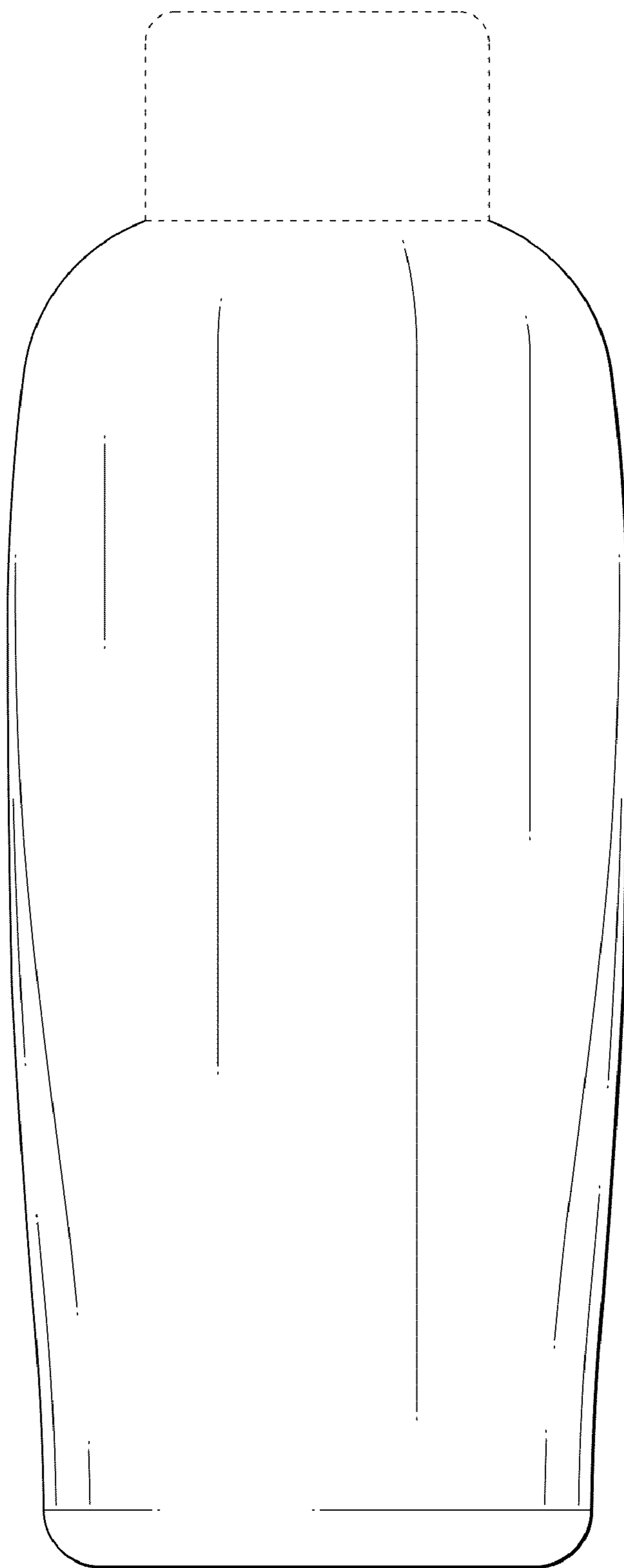


FIG. 2

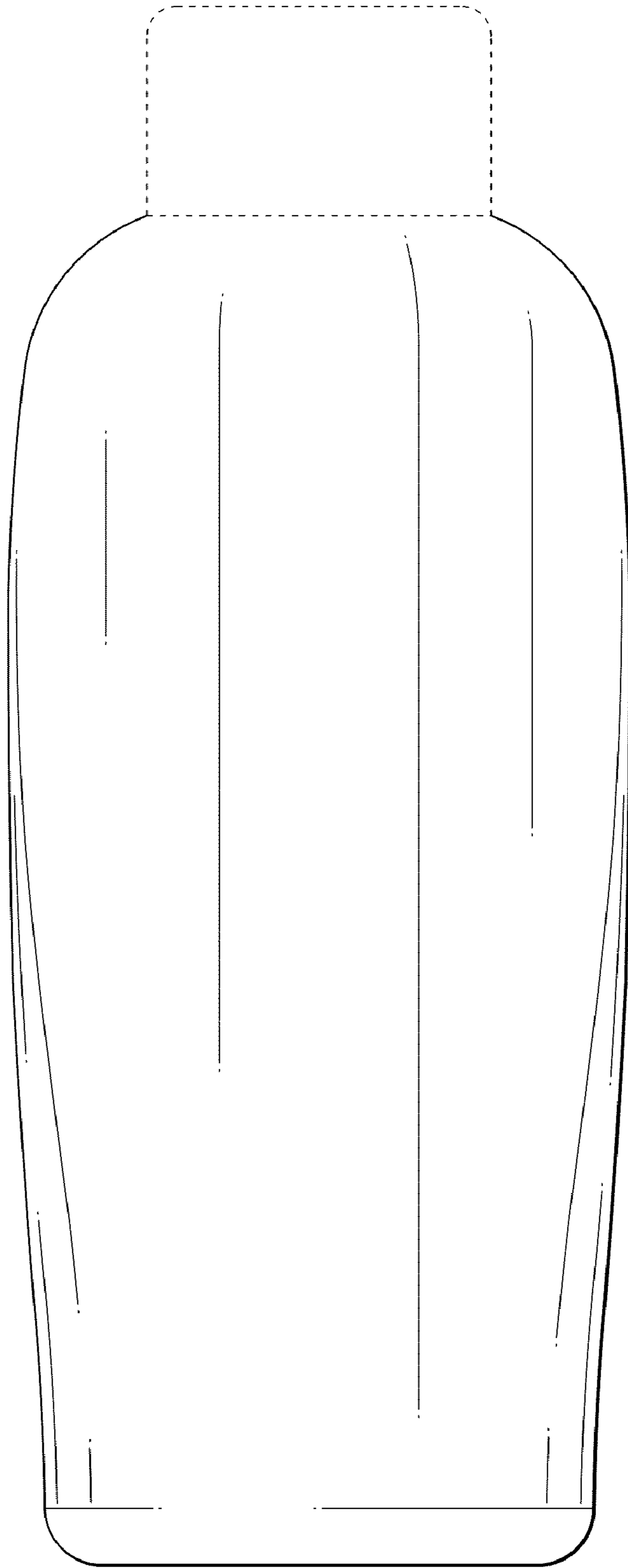


FIG. 3

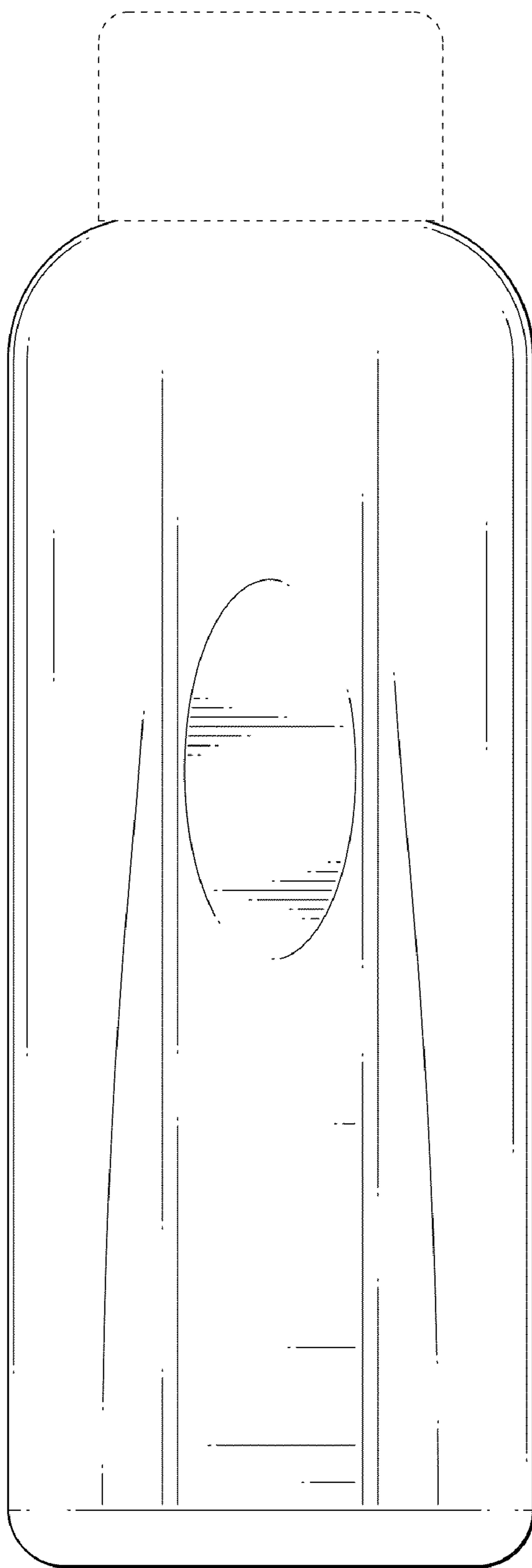


FIG. 4

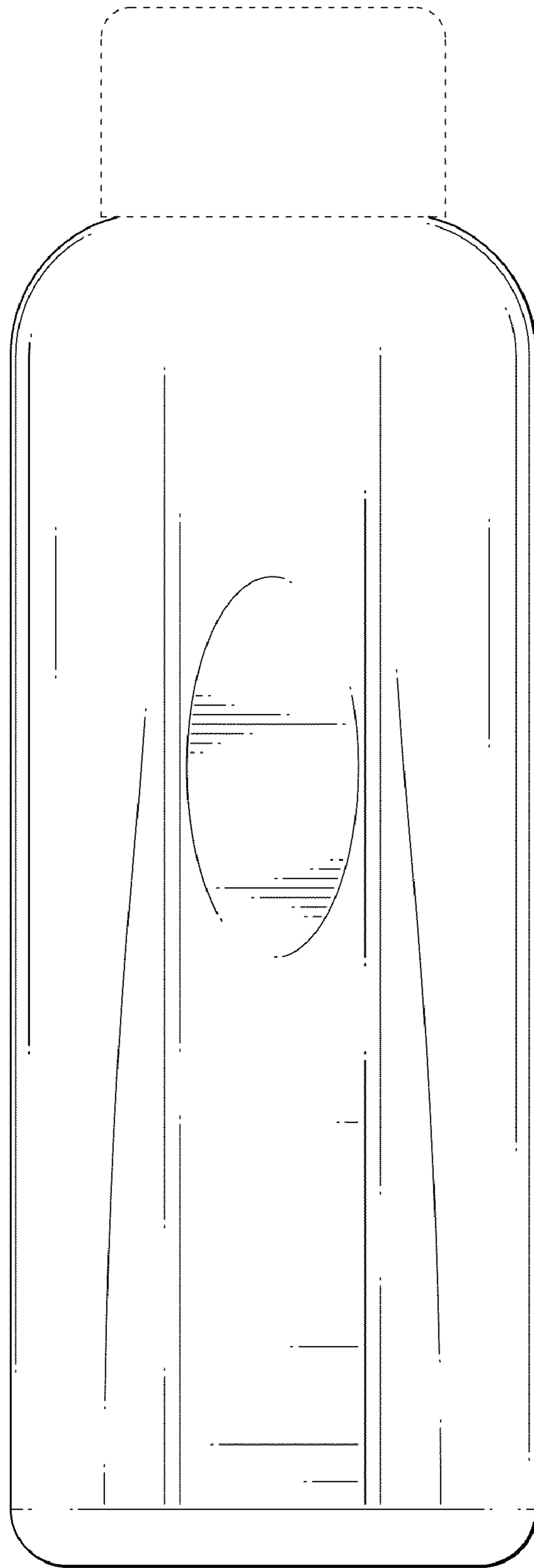


FIG. 5

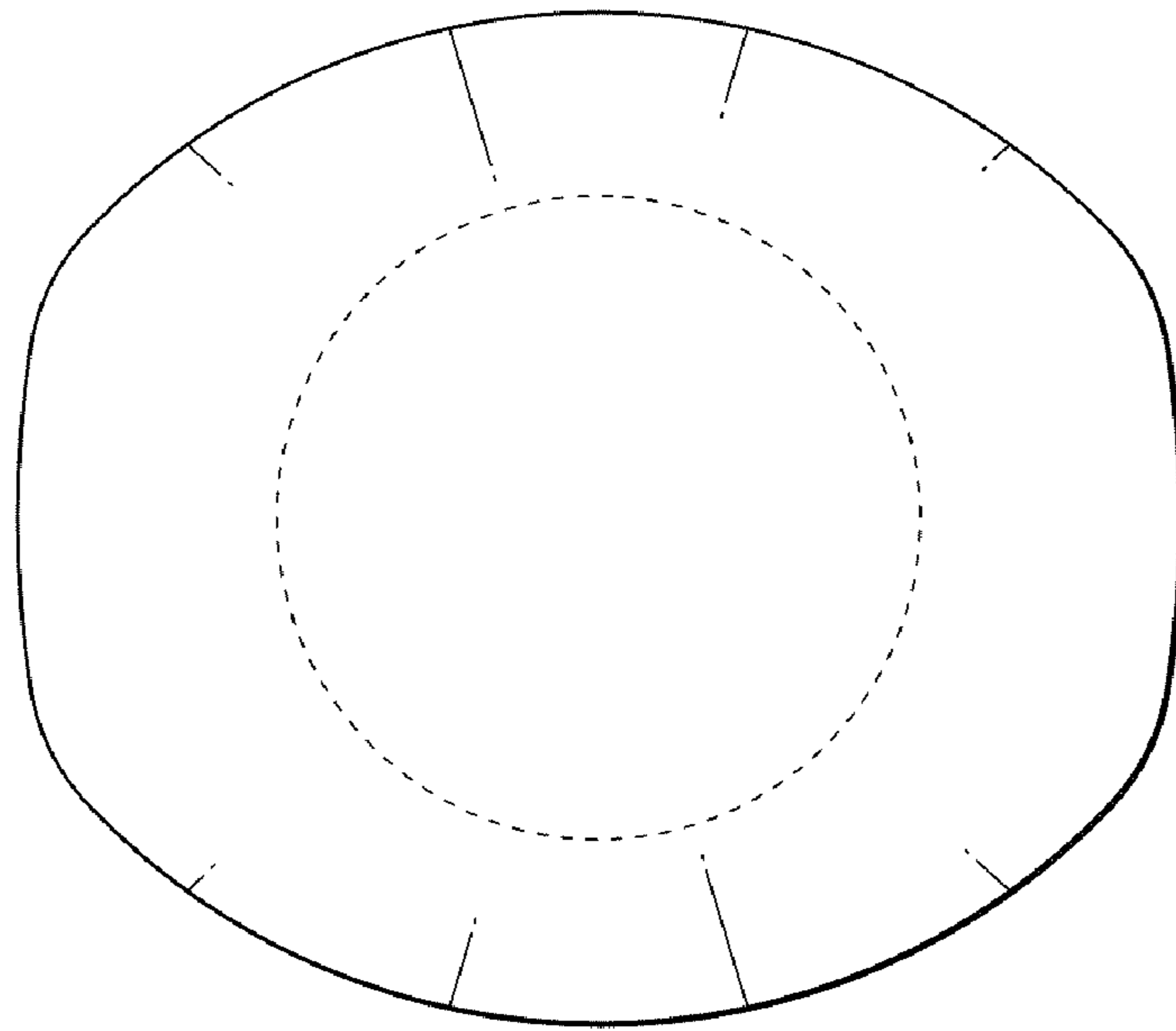


FIG. 6

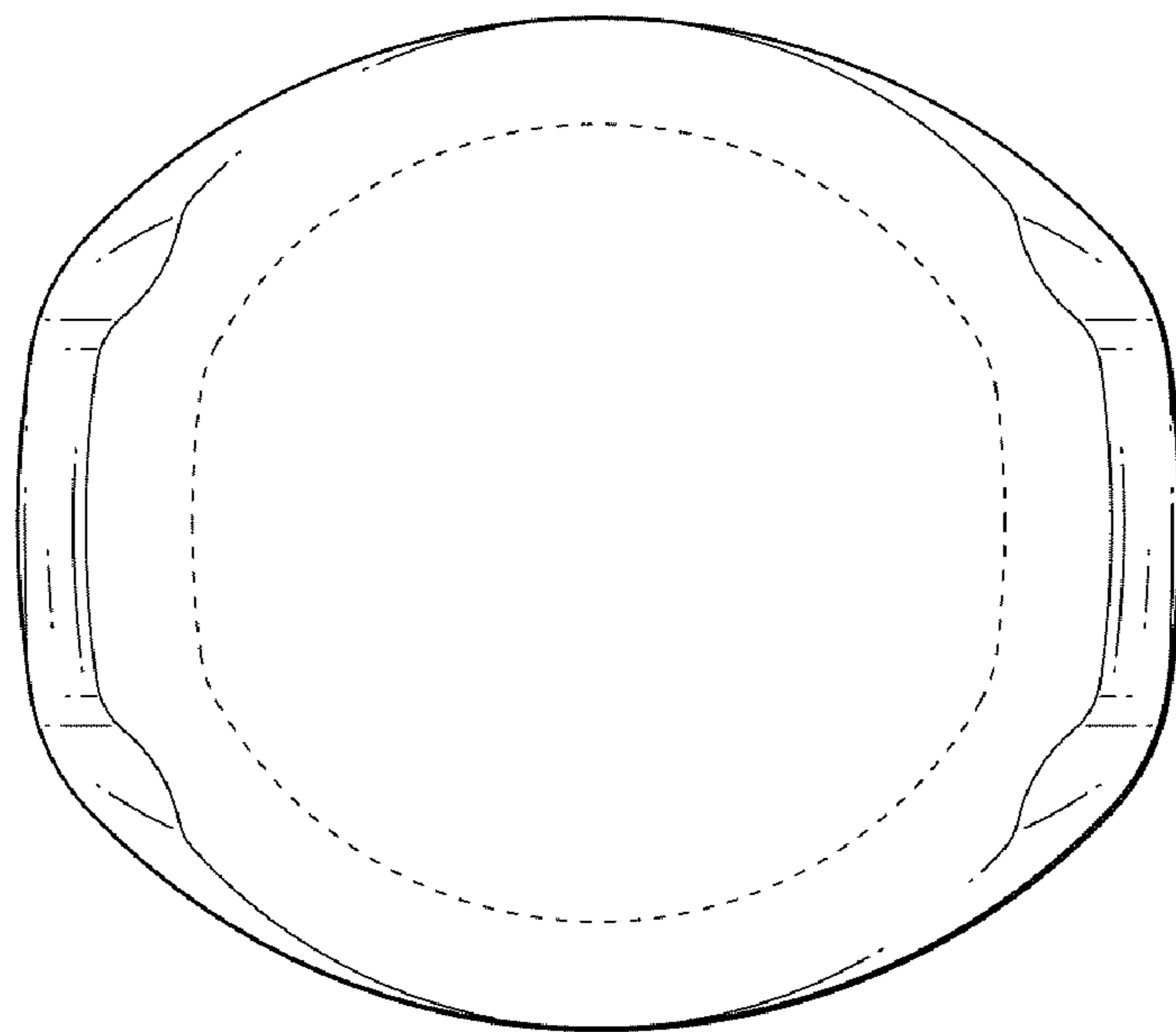


FIG. 7