



US00D653117S

(12) **United States Design Patent**
Murphy

(10) **Patent No.:** **US D653,117 S**
(45) **Date of Patent:** **** Jan. 31, 2012**

(54) **BOTTLE**

(75) Inventor: **Michael D. Murphy**, Evergreen Park, IL (US)

(73) Assignee: **Tricrobraun Inc.**, St. Louis, MO (US)

(**) Term: **14 Years**

(21) Appl. No.: **29/388,168**

(22) Filed: **Mar. 24, 2011**

(51) **LOC (9) Cl.** **09-01**

(52) **U.S. Cl.** **D9/544**

(58) **Field of Classification Search** D9/500,
D9/505, 516, 530, 542-546, 548, 549-551,
D9/558-560, 563, 571-575, 439; D7/598;
215/379, 381-383; 220/660, 662, 669-673,
220/675

See application file for complete search history.

(56) **References Cited**

U.S. PATENT DOCUMENTS

D278,124 S * 3/1985 Coussie D9/574
D479,470 S * 9/2003 Braaten et al. D9/574

D522,876 S * 6/2006 Braaten et al. D9/691
D608,213 S * 1/2010 Kuzma et al. D9/573
D626,003 S * 10/2010 Pless D9/544
D635,032 S * 3/2011 Daniele D9/545

* cited by examiner

Primary Examiner — Ian Simmons

Assistant Examiner — Dana L Sipos

(74) *Attorney, Agent, or Firm* — H. Frederick Rusche;
Husch Blackwell LLP

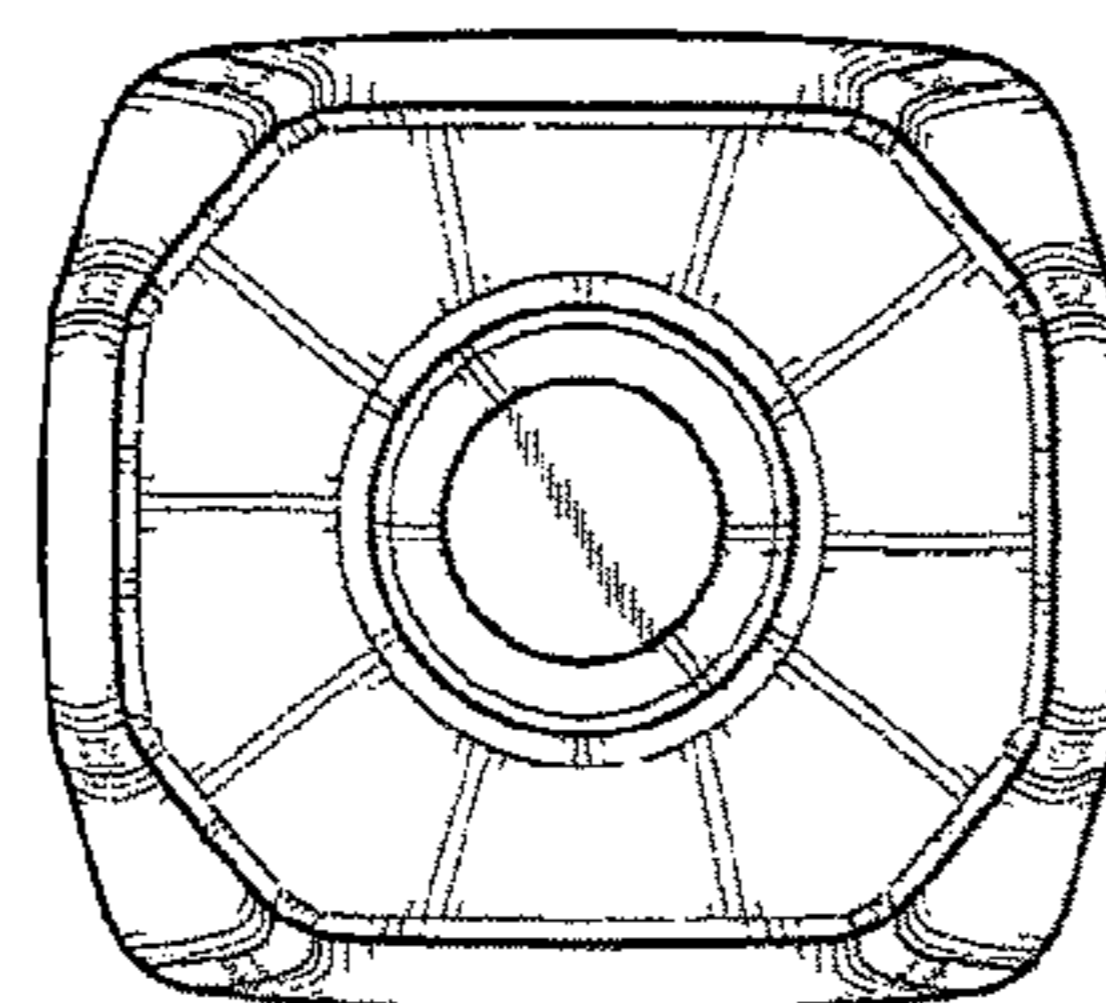
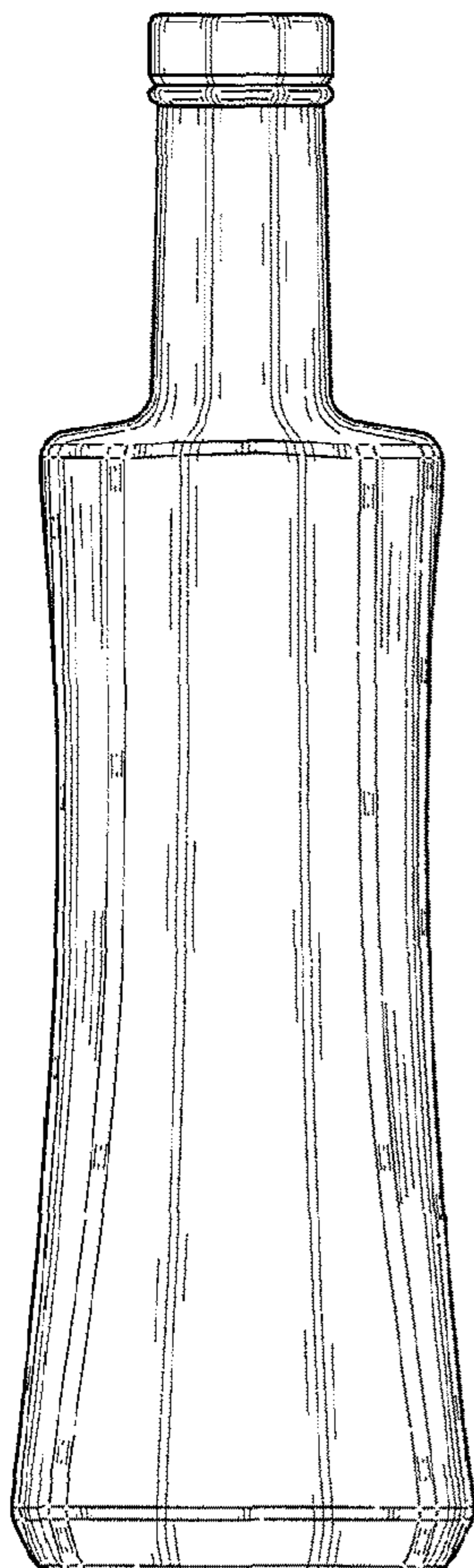
(57) **CLAIM**

I claim the ornamental design for a bottle, as shown and described.

DESCRIPTION

FIG. 1 is a perspective view of a bottle showing an embodiment of my new design;
FIG. 2 is a front view thereof, the rear of the bottle being identical to the front side;
FIG. 3 is a left side view thereof, the right side of the bottle being identical to the left side;
FIG. 4 is a top view thereof; and,
FIG. 5 is a bottom view.

1 Claim, 3 Drawing Sheets



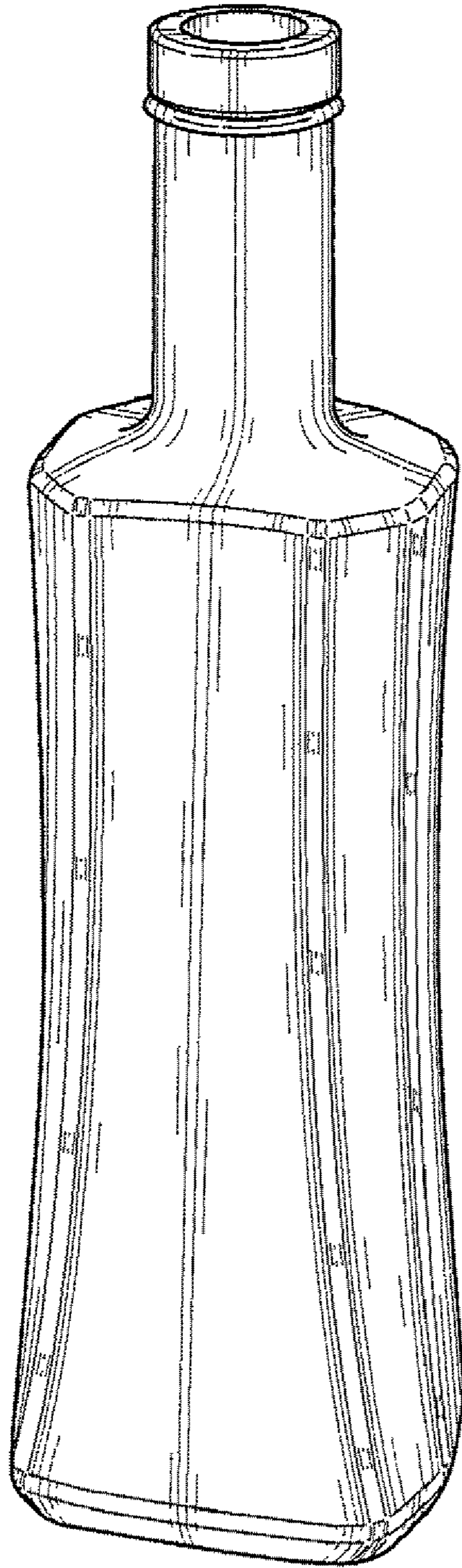


FIG. 1

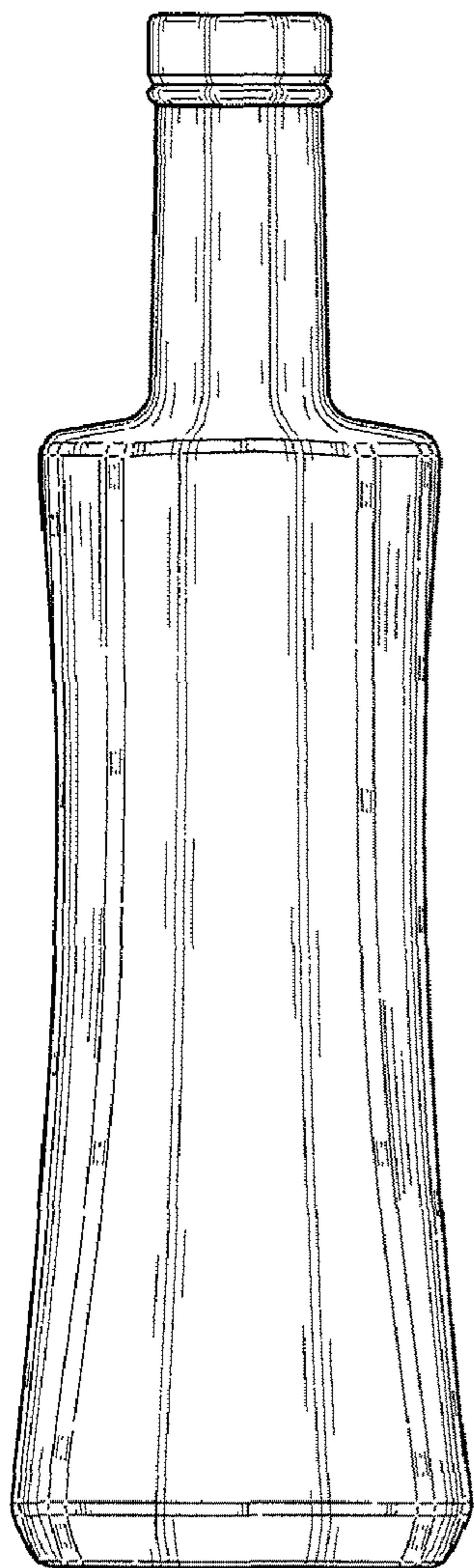


FIG. 2

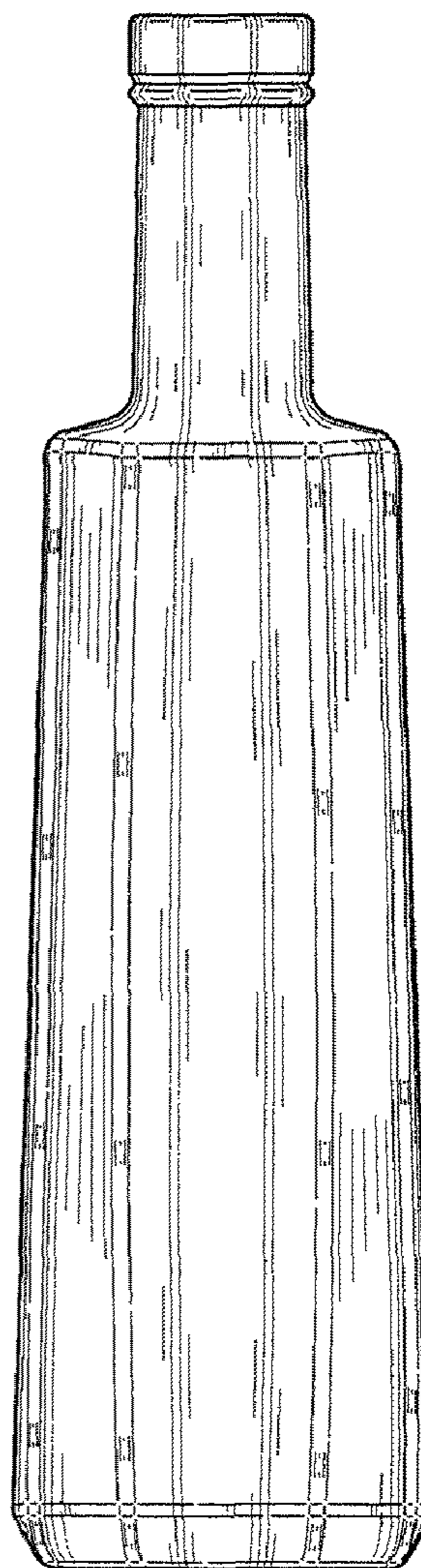


FIG. 3

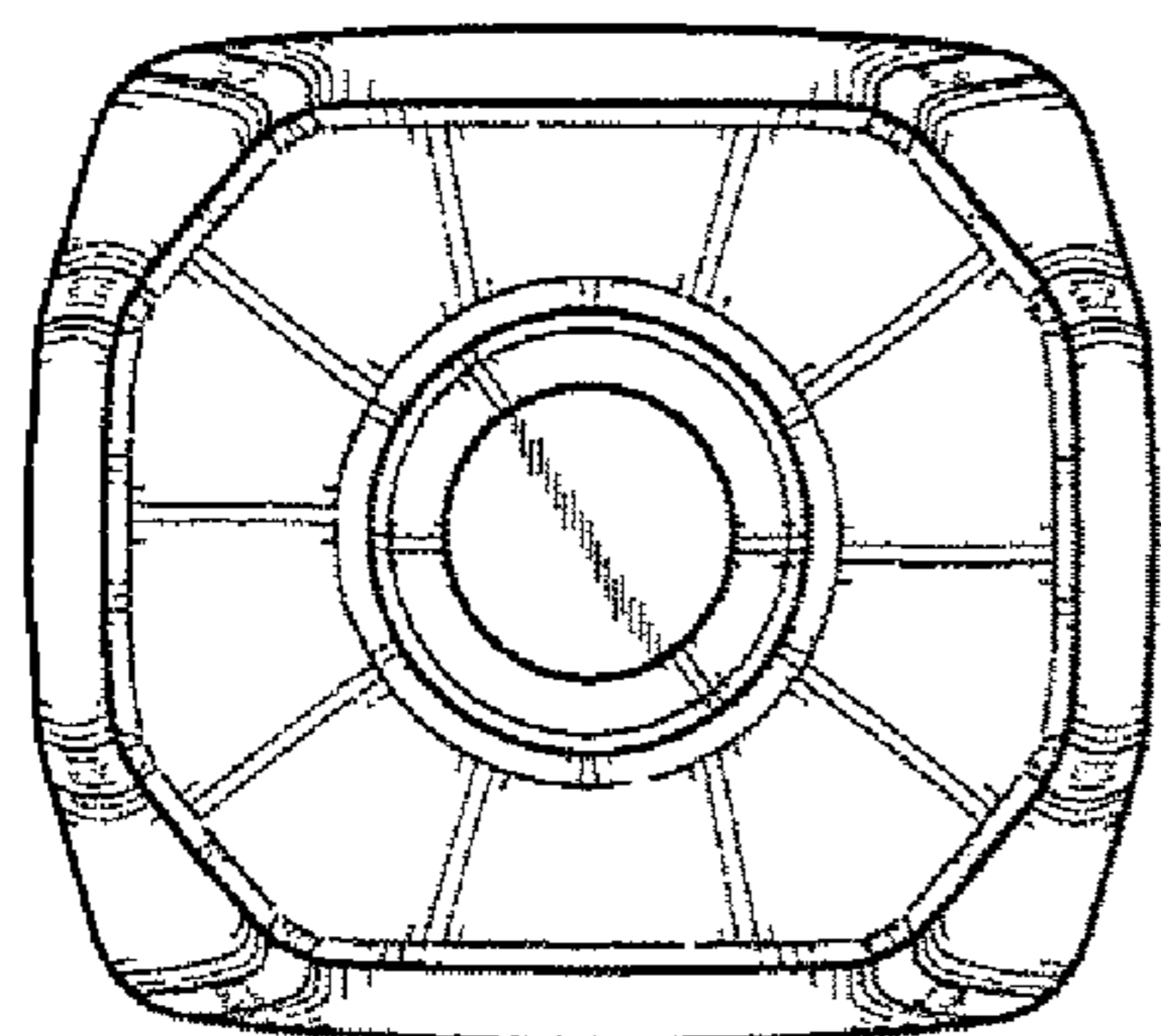


FIG. 4

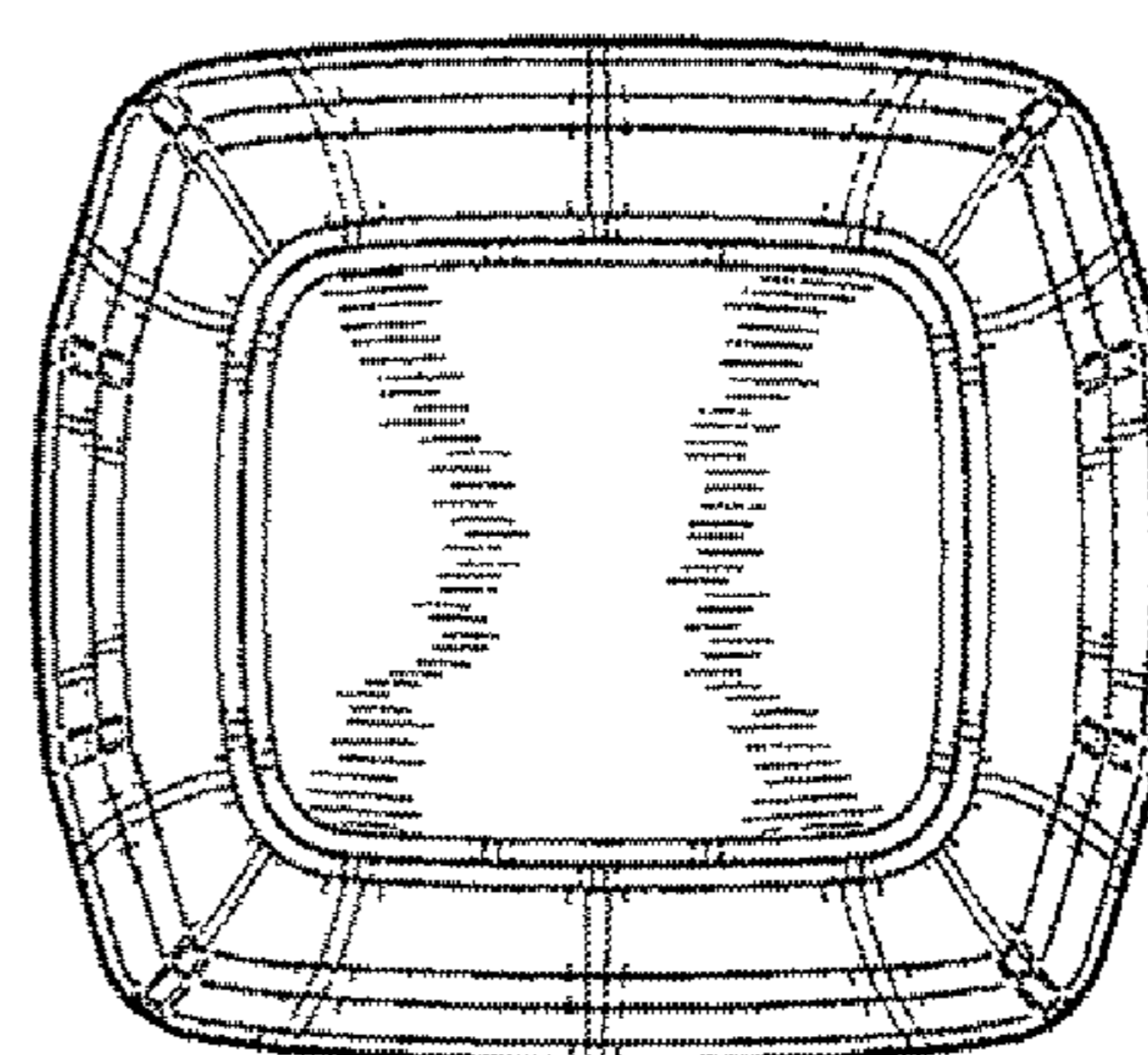


FIG. 5