



US00D653112S

(12) **United States Design Patent**  
**White et al.**

(10) **Patent No.:** **US D653,112 S**  
(45) **Date of Patent:** **\*\* Jan. 31, 2012**

(54) **BOTTLE**

(75) Inventors: **Kevin Michael White**, Cincinnati, OH (US); **Andrew Peter Heidel**, Cincinnati, OH (US); **Paul Frank Diehl**, Brooklyn, NY (US); **Brian David Andres**, Harrison, OH (US); **Gil Palmon**, Cincinnati, OH (US)

(73) Assignee: **The Procter & Gamble Company**, Cincinnati, OH (US)

(\*\*) Term: **14 Years**

(21) Appl. No.: **29/383,288**

(22) Filed: **Jan. 14, 2011**

(51) **LOC (9) Cl.** ..... **09-01**

(52) **U.S. Cl.** ..... **D9/529**

(58) **Field of Classification Search** ..... D9/500,  
D9/504, 516, 529, 544-546, 549, 558, 574,  
D9/682, 686, 688-691, 435, 439-440; 215/379,  
215/381, 382; 220/660, 669, 675

See application file for complete search history.

(56) **References Cited**

**U.S. PATENT DOCUMENTS**

D155,043 S \* 8/1949 Serra ..... D9/504  
(Continued)

**FOREIGN PATENT DOCUMENTS**

WO DM/068130 \* 9/2003

*Primary Examiner* — Ian Simmons

*Assistant Examiner* — Dana L Sipos

(74) *Attorney, Agent, or Firm* — Andrew J. Mueller; Leonard W. Lewis; Steven W. Miller

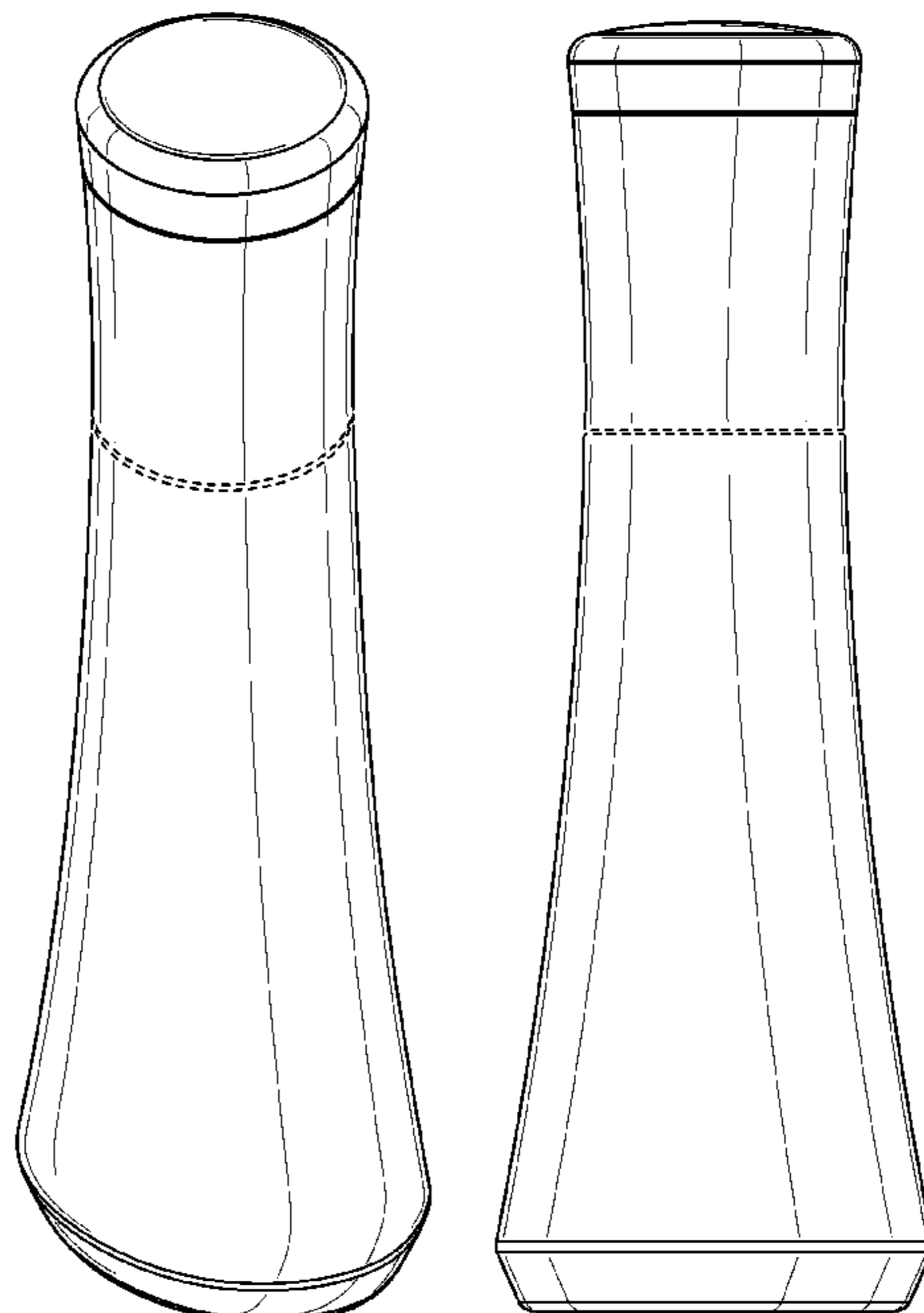
(57) **CLAIM**

The ornamental design for a bottle, as shown and described.

**DESCRIPTION**

FIG. 1 is a perspective view of an embodiment of the bottle; FIG. 2 is a front view of the bottle of FIG. 1, the back view being a mirror image; FIG. 3 is a left side view of the bottle of FIG. 1, the right side view being a mirror image; FIG. 4 is a top view of the bottle of FIG. 1; FIG. 5 is a bottom view of the bottle of FIG. 1; FIG. 6 is a perspective view of an embodiment of the bottle with the cap removed; FIG. 7 is a front view of the bottle of FIG. 6, the back view being a mirror image; FIG. 8 is a left side view of the bottle of FIG. 6, the right side view being a mirror image; FIG. 9 is a top view of the bottle of FIG. 6; FIG. 10 a bottom view of the bottle of FIG. 6; FIG. 11 is a perspective view of an embodiment of the bottle; FIG. 12 is a front view of the bottle of FIG. 11, the back view being a mirror image; FIG. 13 is a left side view of the bottle of FIG. 11, the right side view being a mirror image; FIG. 14 is a top view of the bottle of FIG. 11; FIG. 15 is a bottom view of the bottle of FIG. 11; FIG. 16 is a perspective view of an embodiment of the bottle with the cap removed; FIG. 17 is a front view of the bottle of FIG. 16, the back view being a mirror image; FIG. 18 is a left side view of the bottle of FIG. 16, the right side view being a mirror image; FIG. 19 is a top view of the bottle of FIG. 16; and, FIG. 20 is a bottom view of the bottle of FIG. 16.

**1 Claim, 8 Drawing Sheets**



# US D653,112 S

Page 2

---

## U.S. PATENT DOCUMENTS

D263,807 S *	4/1982	Kingsford .....	D9/504	D522,876 S *	6/2006	Braaten et al. ....	D9/691
D281,863 S *	12/1985	Beechuk et al. ....	D9/542	D538,474 S *	3/2007	Sheppard et al. ....	D28/7
D308,635 S *	6/1990	DiNuccio .....	D9/529	D558,920 S *	1/2008	Sheppard et al. ....	D28/7
D350,899 S *	9/1994	Vasas .....	D9/503	D592,516 S *	5/2009	Cummings et al. ....	D9/530
D419,719 S *	1/2000	Garcia .....	D28/7	D608,213 S *	1/2010	Kuzma et al. ....	D9/573
D430,804 S *	9/2000	Bulsink .....	D9/543	D616,261 S *	5/2010	Lundstrom .....	D7/679
D472,147 S *	3/2003	Herrmann .....	D9/504	D616,262 S *	5/2010	Lundstrom .....	D7/679
D491,691 S *	6/2004	Braaten et al. ....	D28/76	D619,456 S *	7/2010	Walters .....	D9/454
D512,914 S *	12/2005	Moretti .....	D9/454	D620,358 S *	7/2010	Jewett et al. ....	D9/454

\* cited by examiner

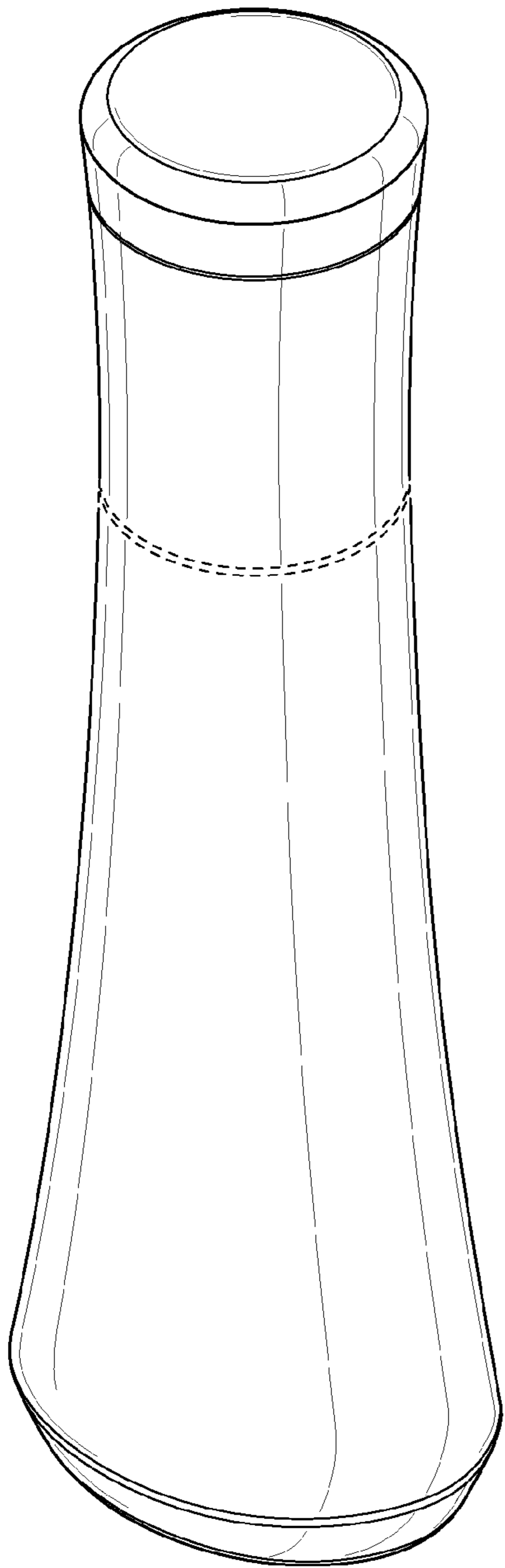


Fig. 1

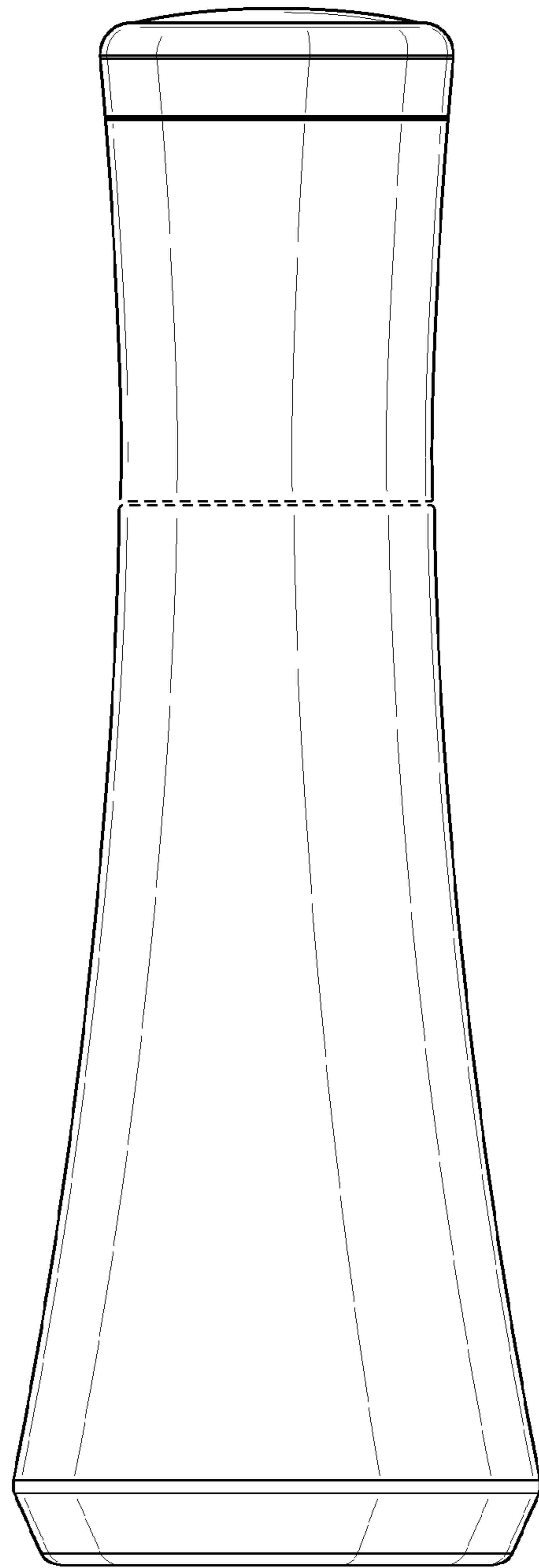


Fig. 2

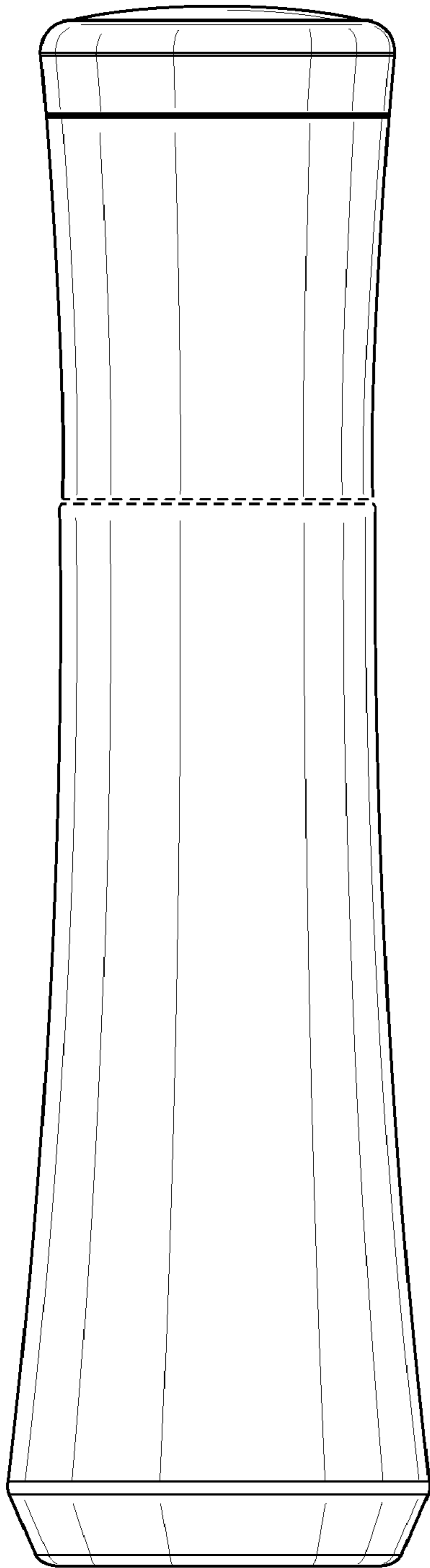


Fig. 3

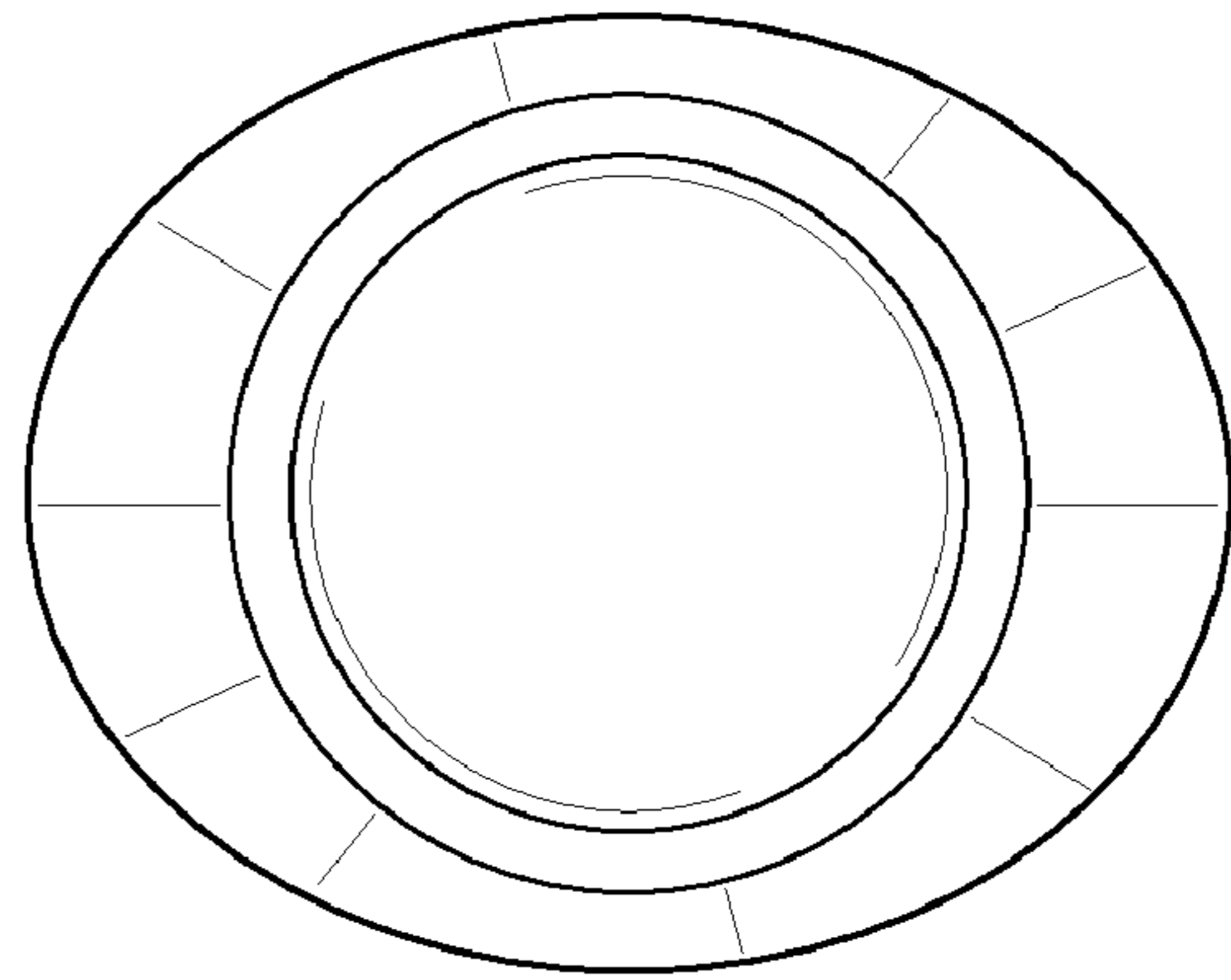


Fig. 4

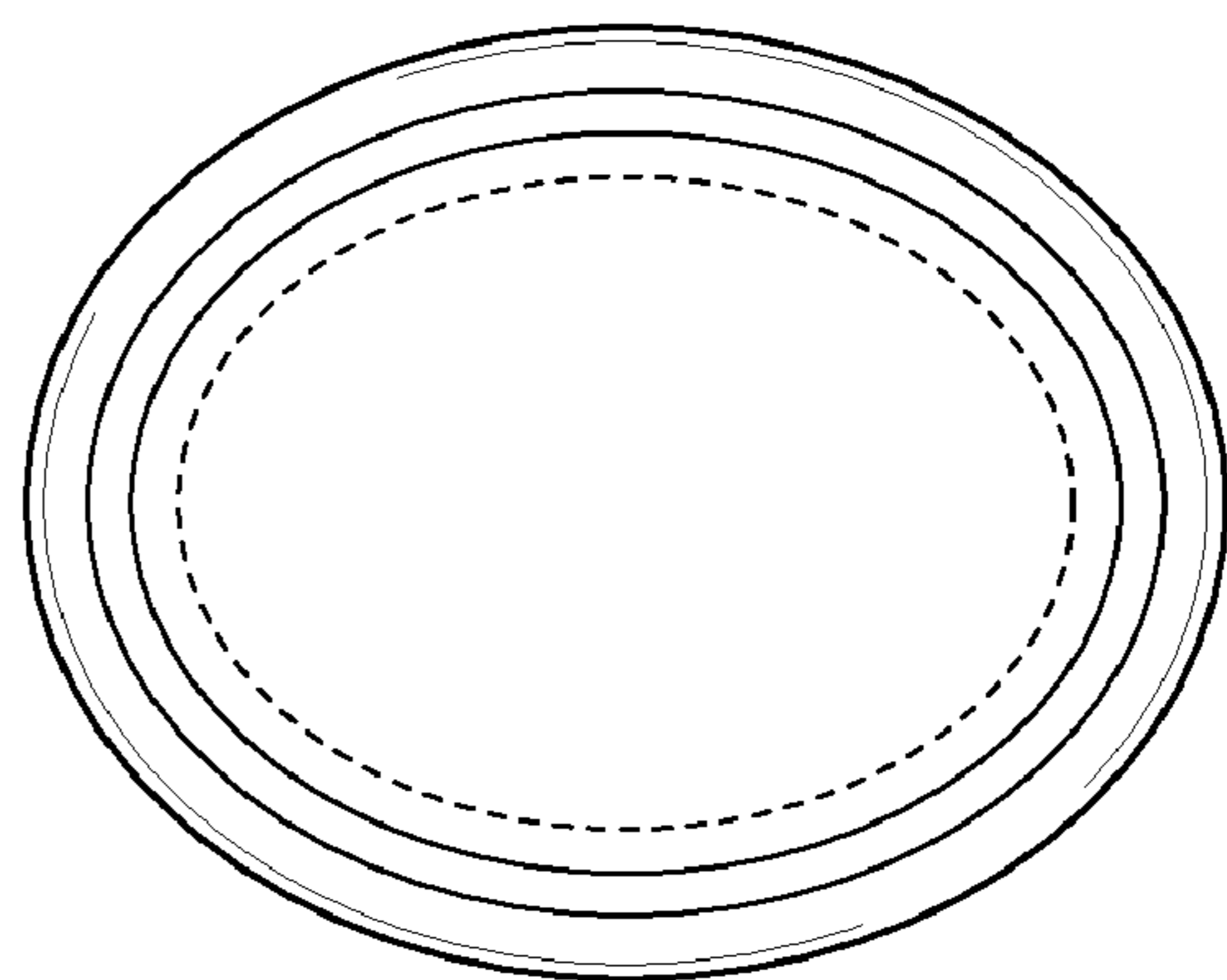


Fig. 5

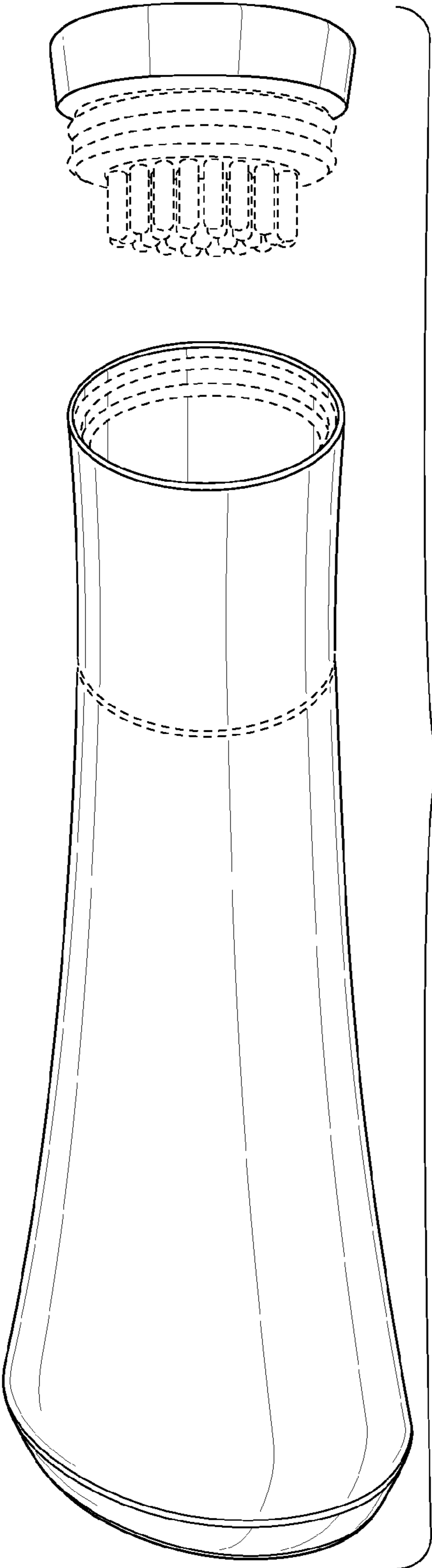


Fig. 6

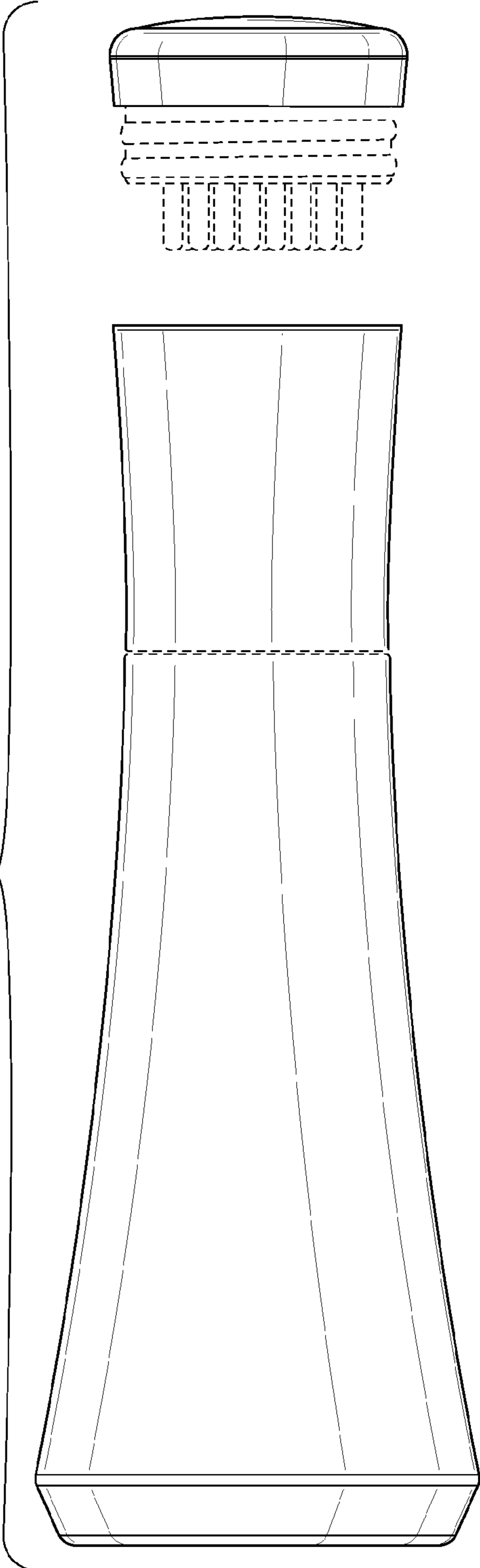


Fig. 7

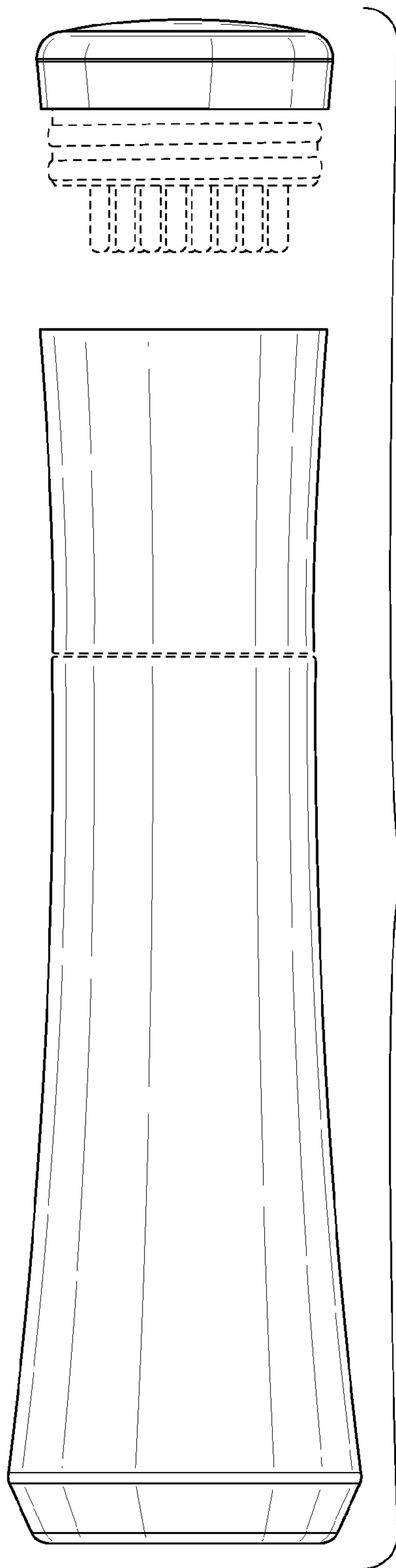


Fig. 8

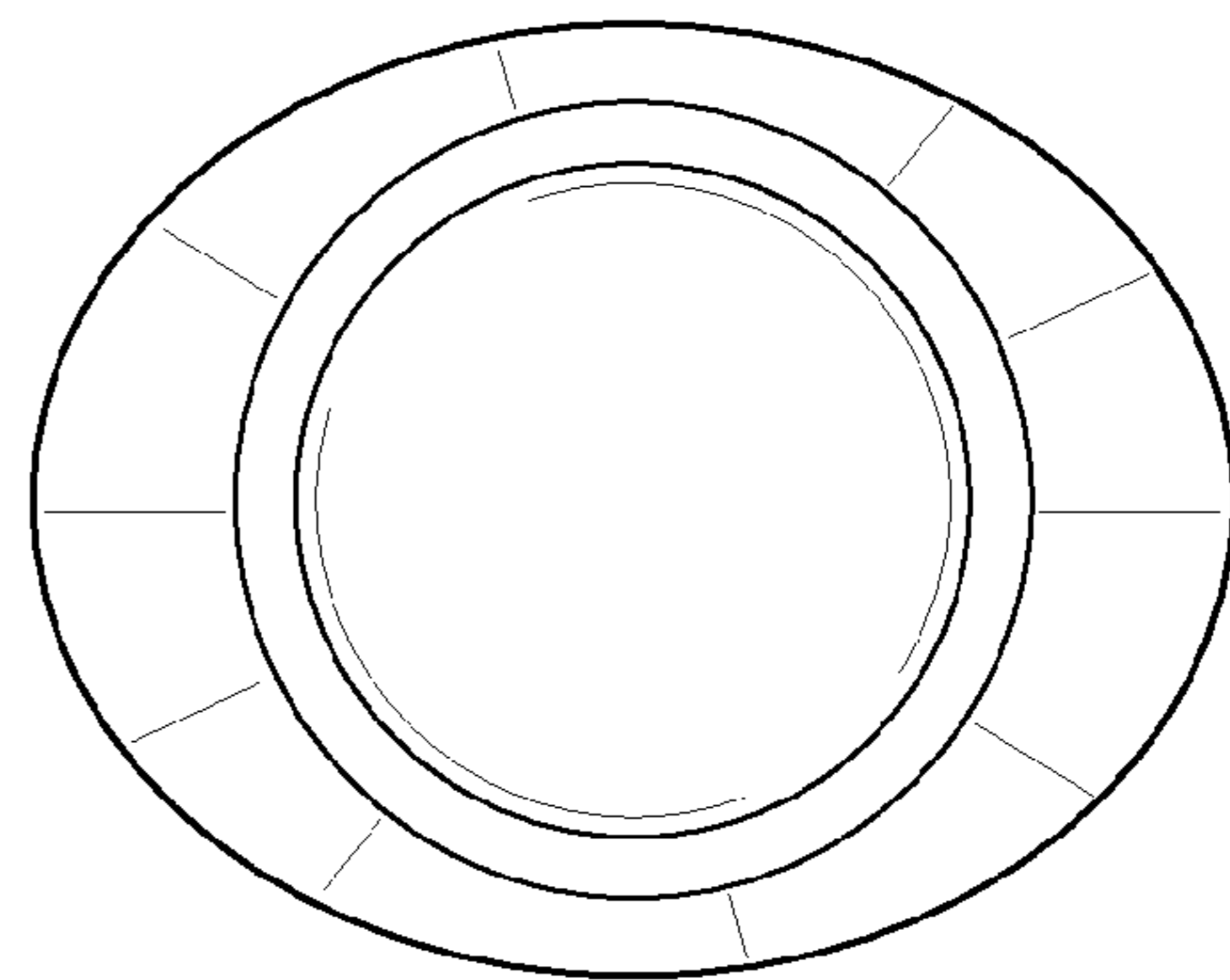


Fig. 9

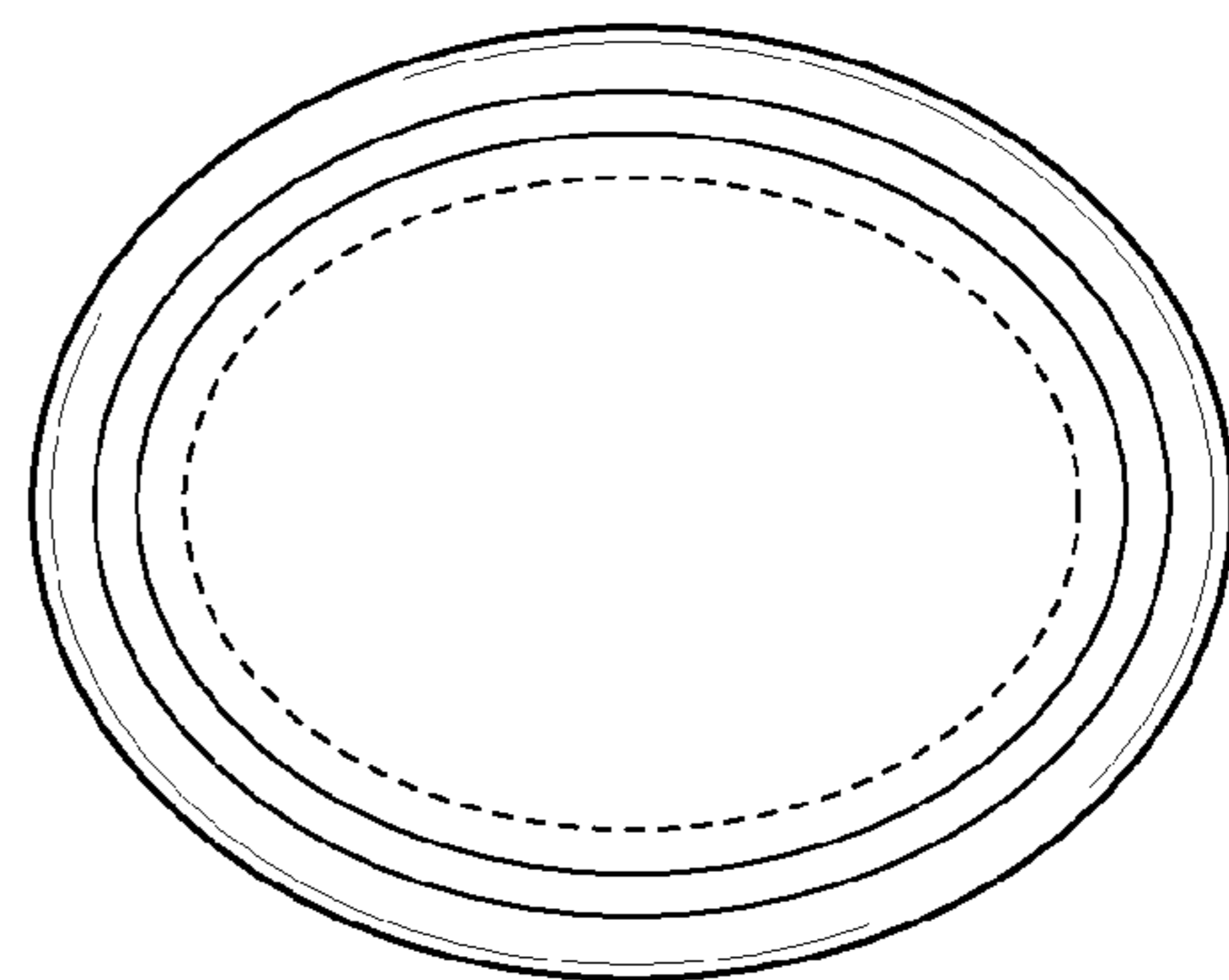


Fig. 10

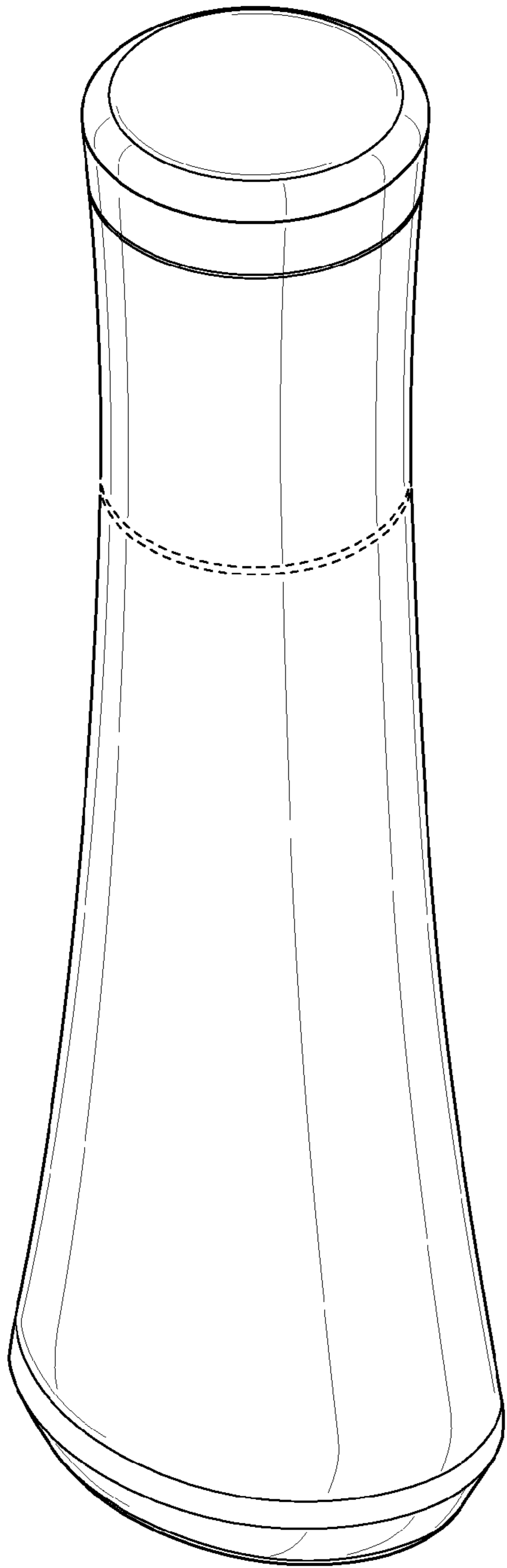


Fig. 11



Fig. 12

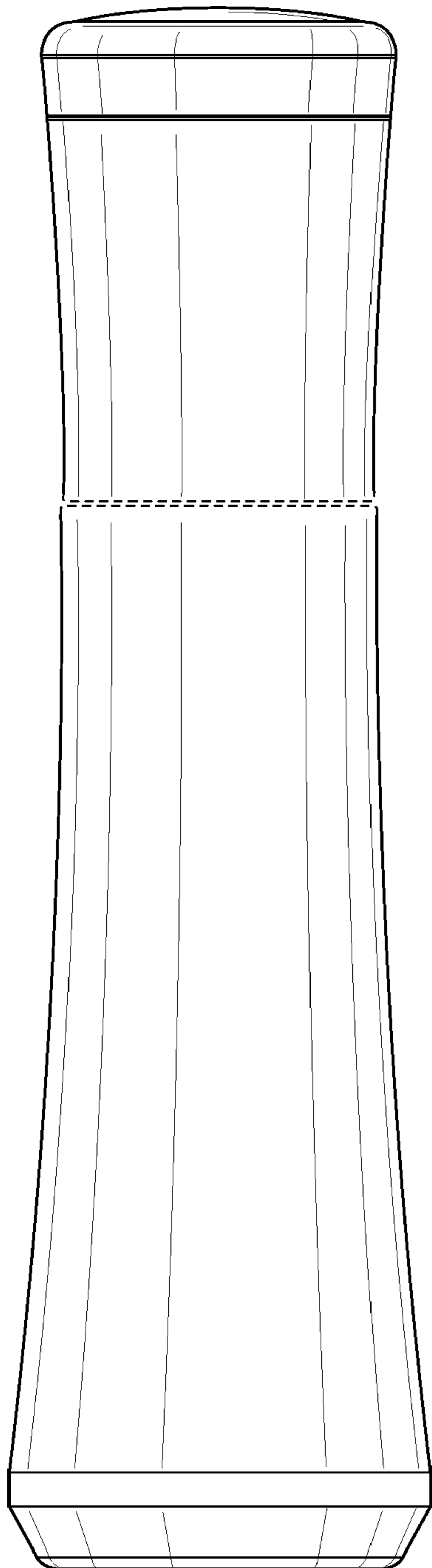


Fig. 13

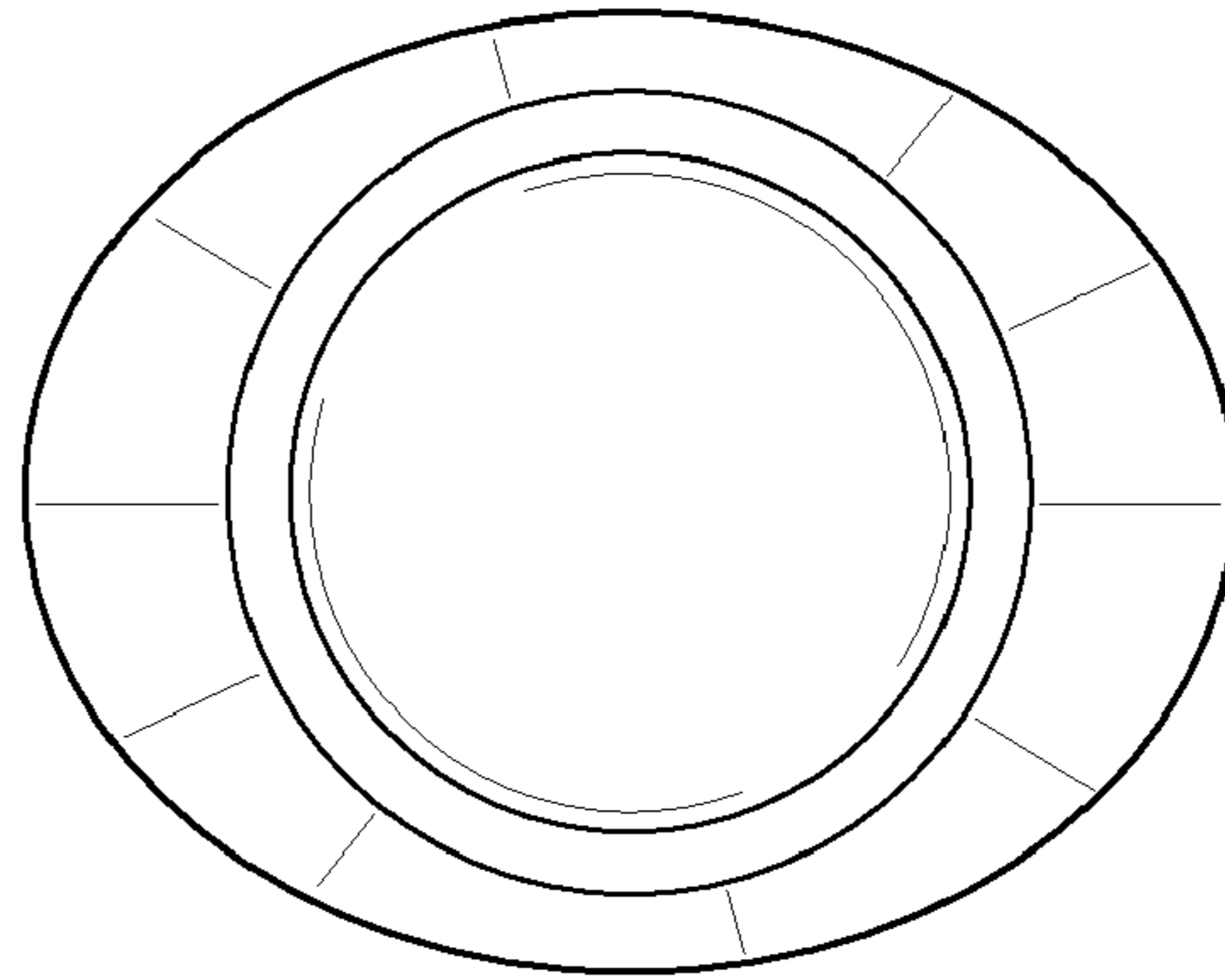


Fig. 14

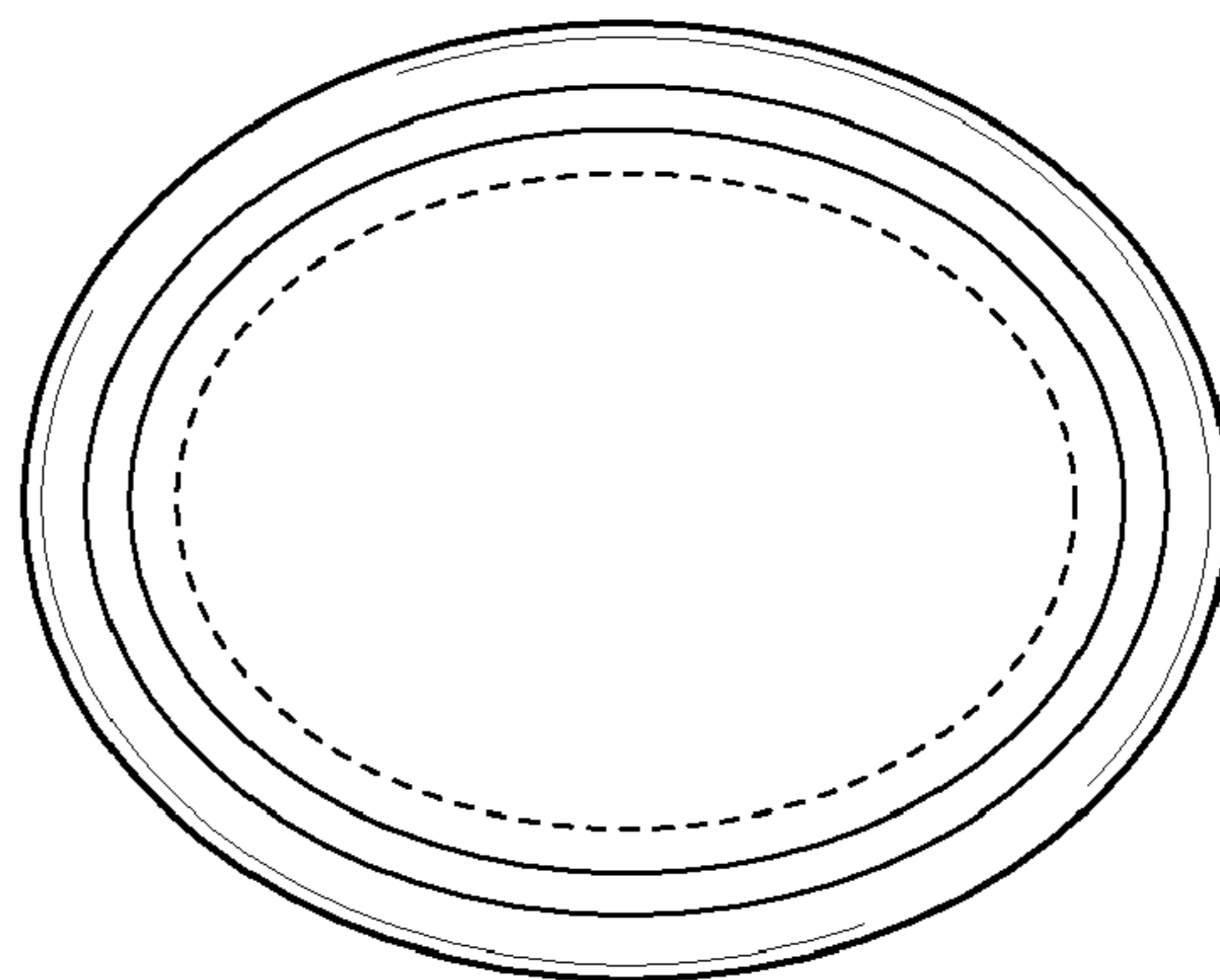


Fig. 15



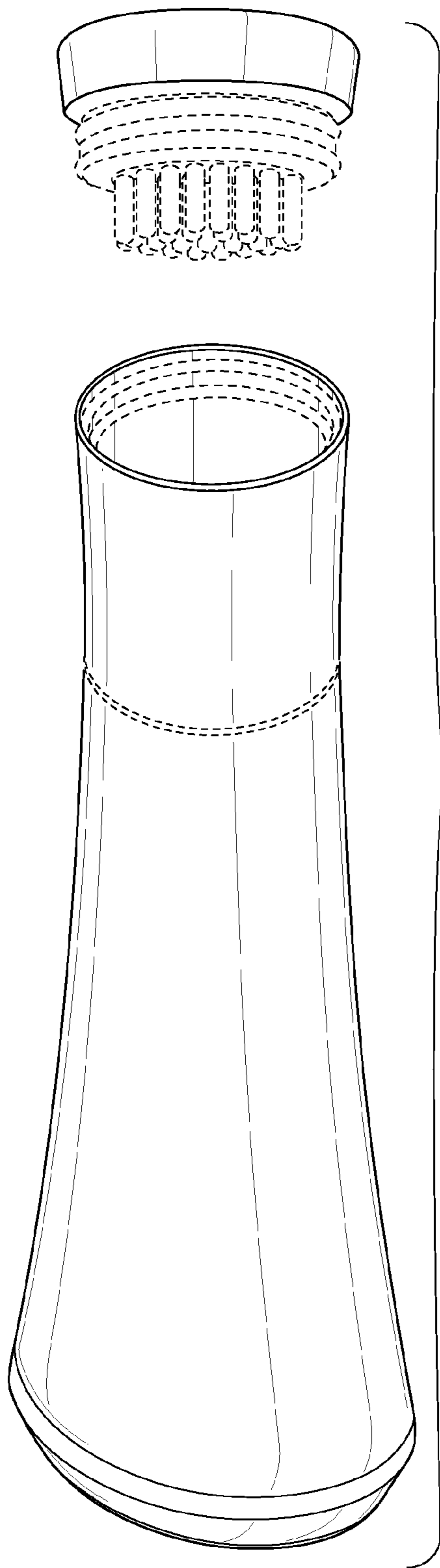
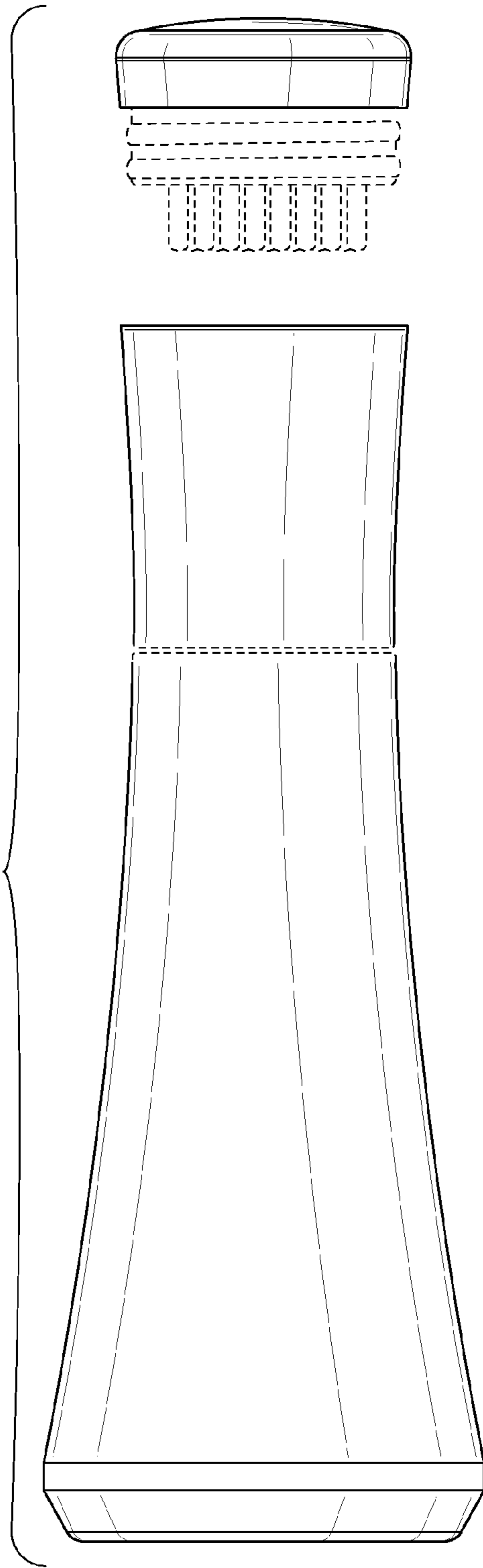


Fig. 16

Fig. 17



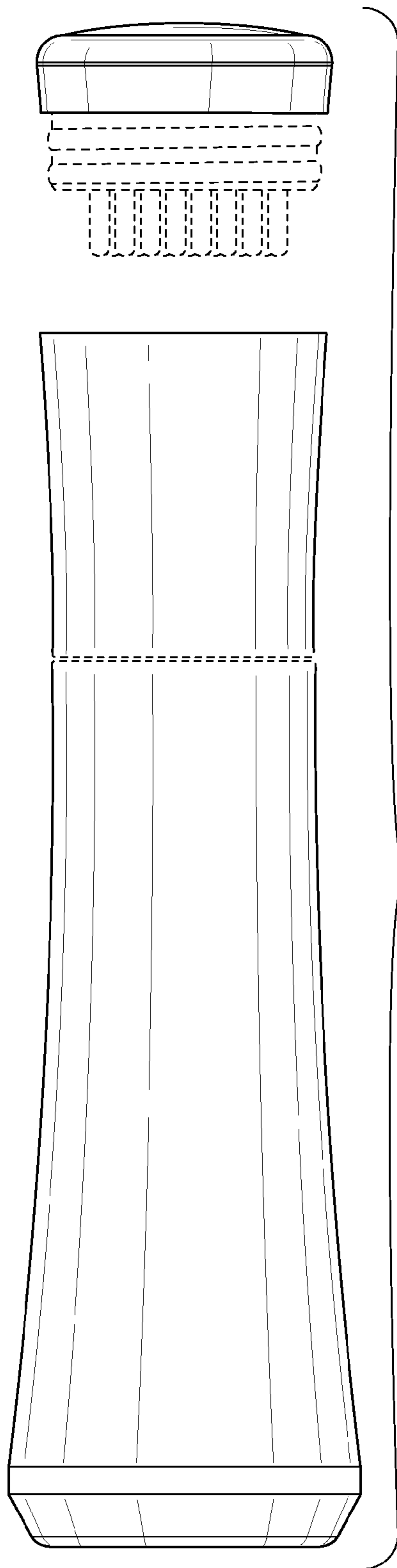


Fig. 18

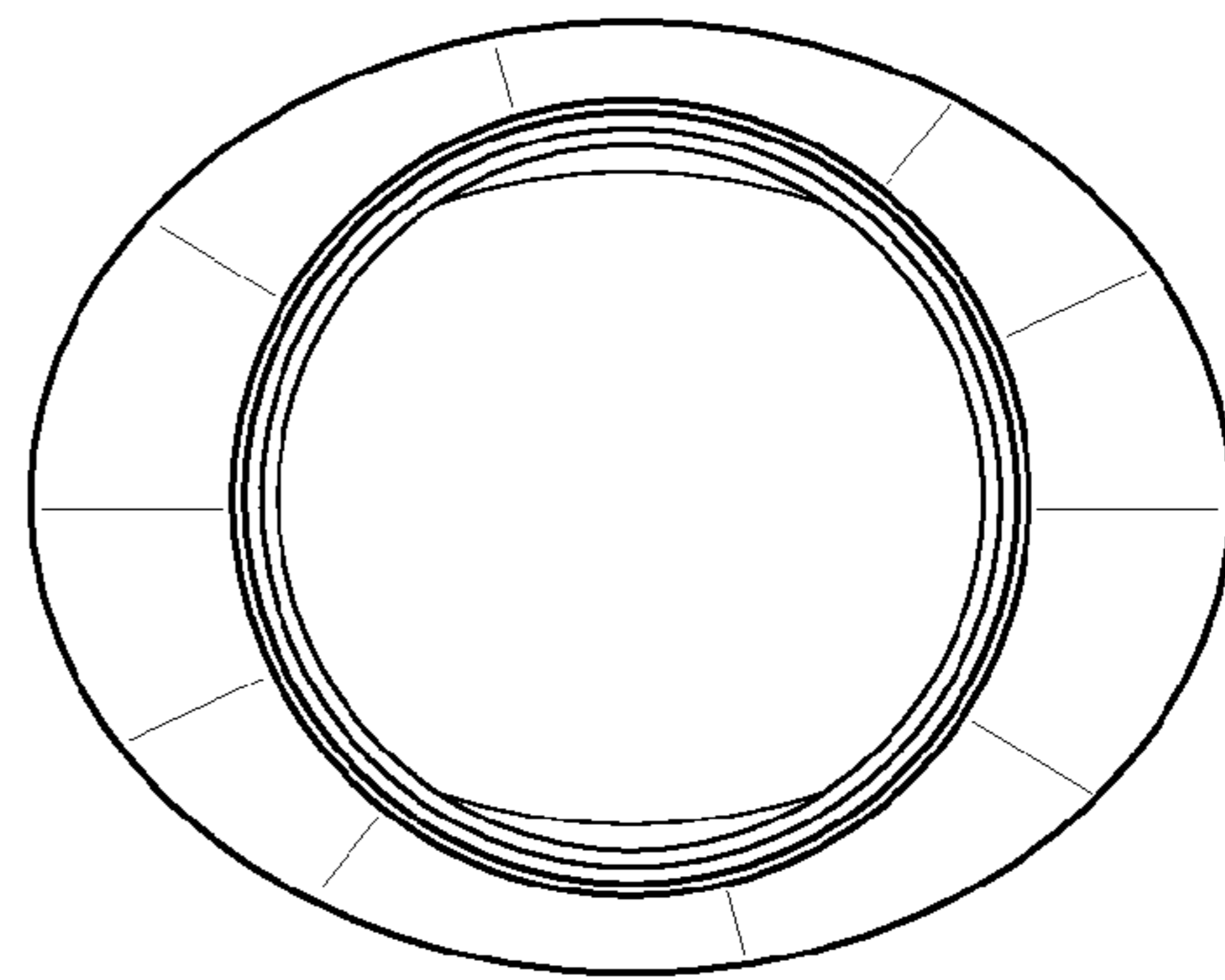


Fig. 19

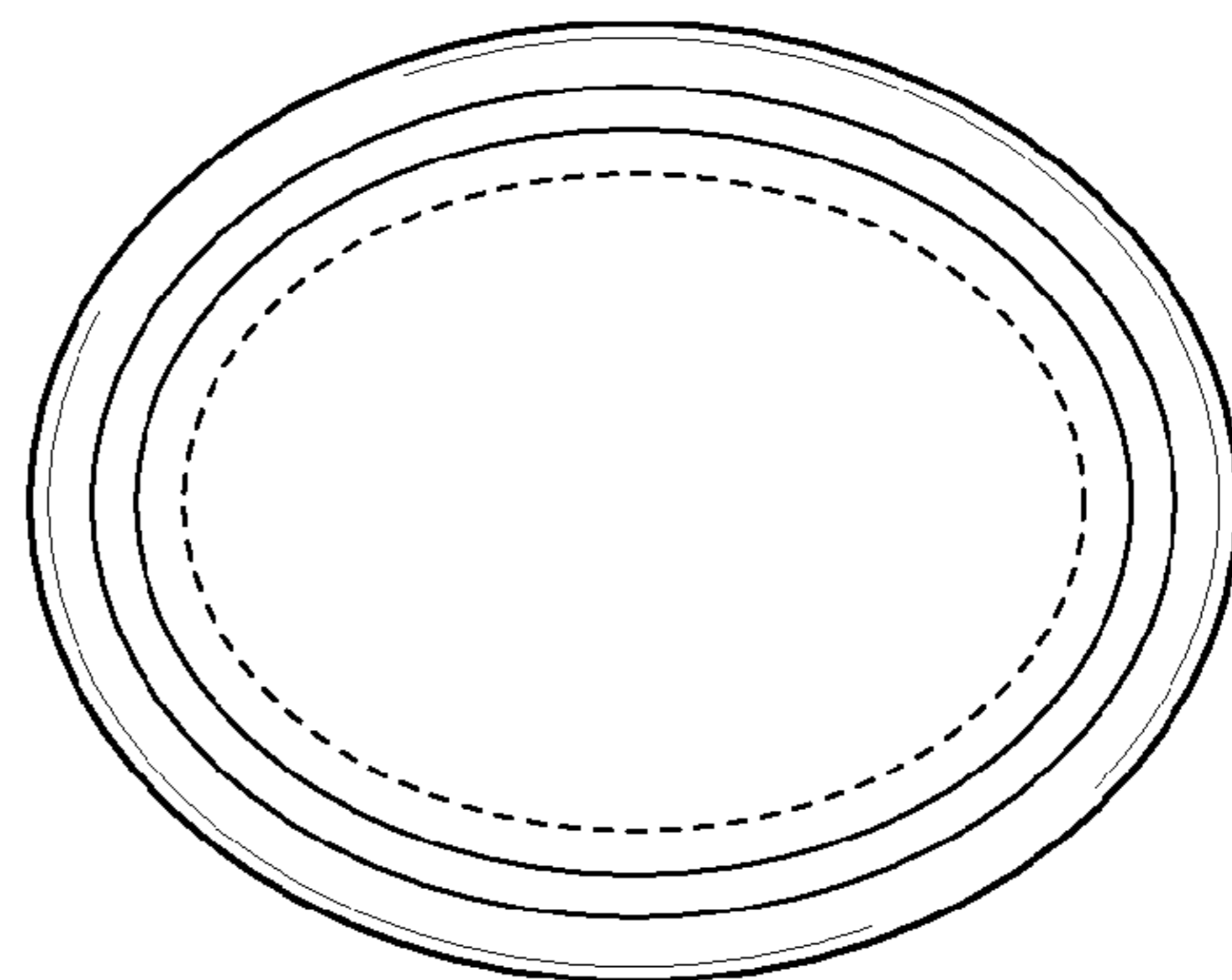


Fig. 20